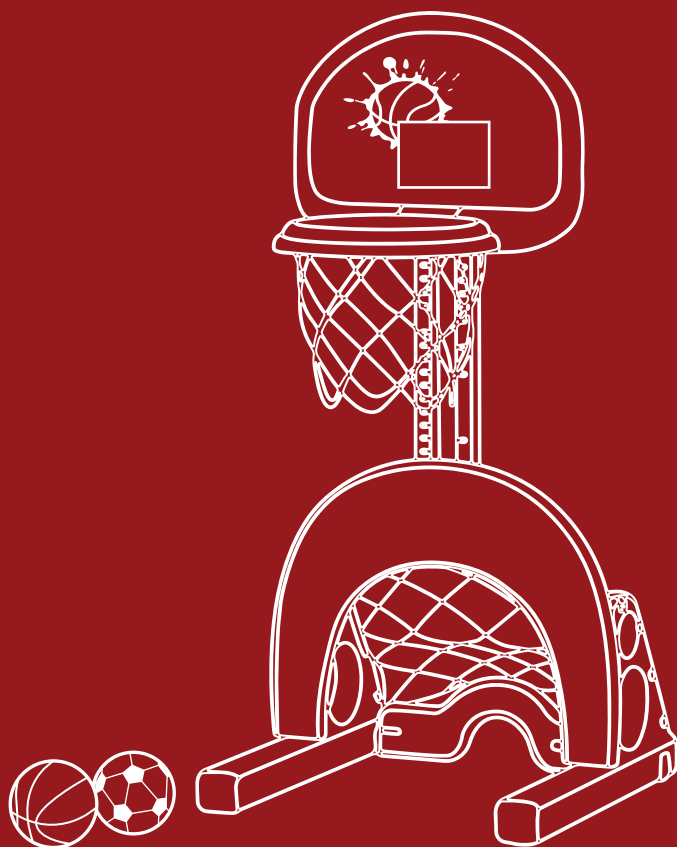




BEST CHOICE  
PRODUCTS



# INSTRUCTION MANUAL

---

Toddler's Sports Center

## ⚠️ WARNING

This product requires adult assembly and supervision.

## ⚠️ WARNING

**CHOKING HAZARD** - Toy contains small balls and small parts. Not for children under 3 yrs.

## ⚠️ NOTICE

Please retain these instructions for future reference.

- This product requires adult assembly and supervision.
- This product is for home use only, not for commercial use.
- Reconfirm that all bolts, screws, and knobs are secure every 90 days.
- Do not use or store this item in the proximity of open flame or flammable/combustible chemicals.
- Do not use any part of this product as a step stool or ladder.
- This product contains small parts. May result in choking hazard for children under 3 years.
- If any parts are missing, broken, damaged, or worn, stop using this item until repairs are made and/or factory replacement parts are installed.
- Do not use this item in a way inconsistent with the manufacturer's instructions as this could void the product warranty.
- This product is intended for residential use only.

## TOOLS REQUIRED



PLASTIC SCREWDRIVER  
(PROVIDED)



3 YEARS  
OLD AND UP



3 LITERS  
(1.5 PER BASE STAND)  
FILL CAPACITY



1 PERSON  
ASSEMBLY



UP TO 15 MIN.  
ASSEMBLY

## HARDWARE

1

BASE NUT



4 PCS

2

NET HOOK



17 PCS

3

FASTENING  
KNOB



2 PCS

4

BOLT



1 PC

5

WATER  
STOPPER



2 PCS

6

LIFTING  
ROD SCREW



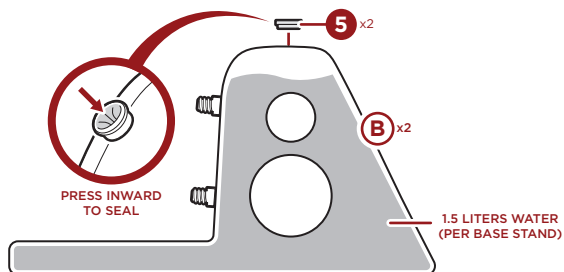
1 PC

## PARTS



## FILL CAPACITY (OPTIONAL)

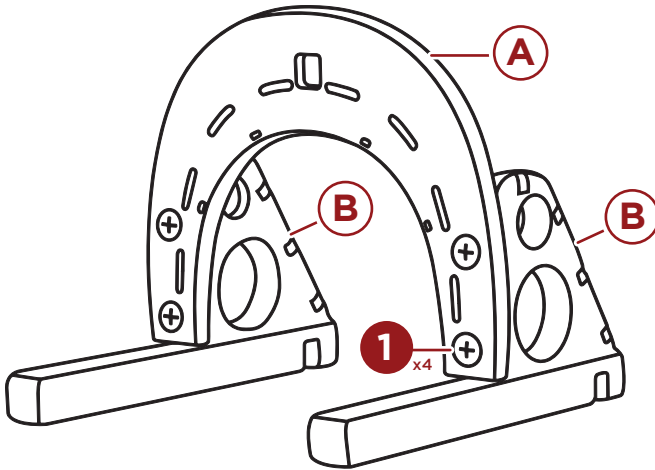
Pour up to 1.5 liters of water into each **part B** base stand and then seal the opening with two **part 5** water stoppers. This will add extra weight to the base.



## PRODUCT ASSEMBLY

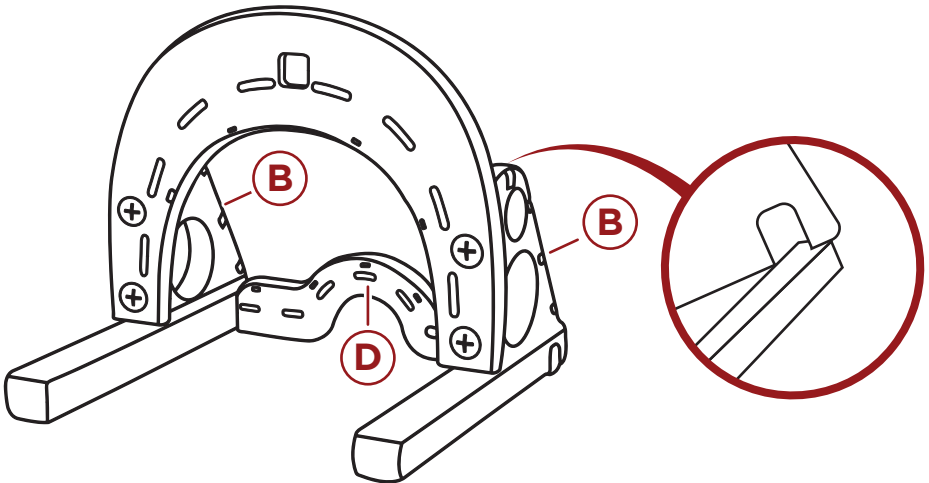
1

Connect two **part B base stands** to the **part A base/goal**.  
Secure with four **part 1 base nuts**.



2

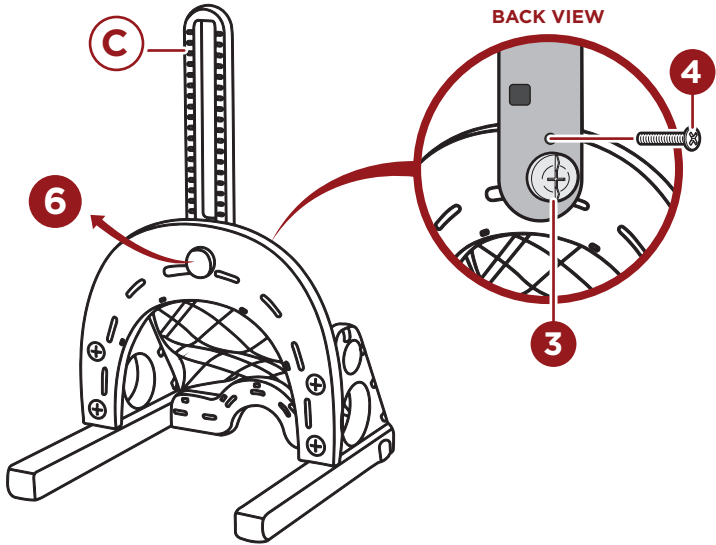
Locate the **part D soccer/golf buffer** and connect it to the **part B base stands** via the inset grooves. Firmly press to secure.



## PRODUCT ASSEMBLY

3

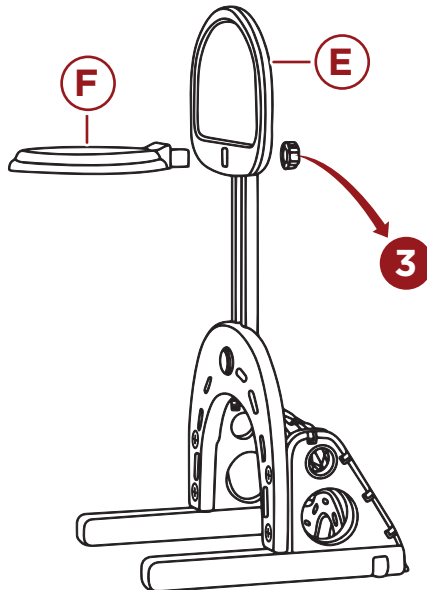
Locate the **part C lifting pole** and connect it to the **part A base/goal** with the **part 6 lifting rod screw**. Secure the screw with one **part 4 nut**, then cover with one **part 3 fastening knob**.



4

Insert the **part F basketball hoop** into the **part E backboard**.

Place the hoop assembly into the opening of the **part C lifting pole** and secure with one **part 3 fastening knob**.



## PRODUCT ASSEMBLY

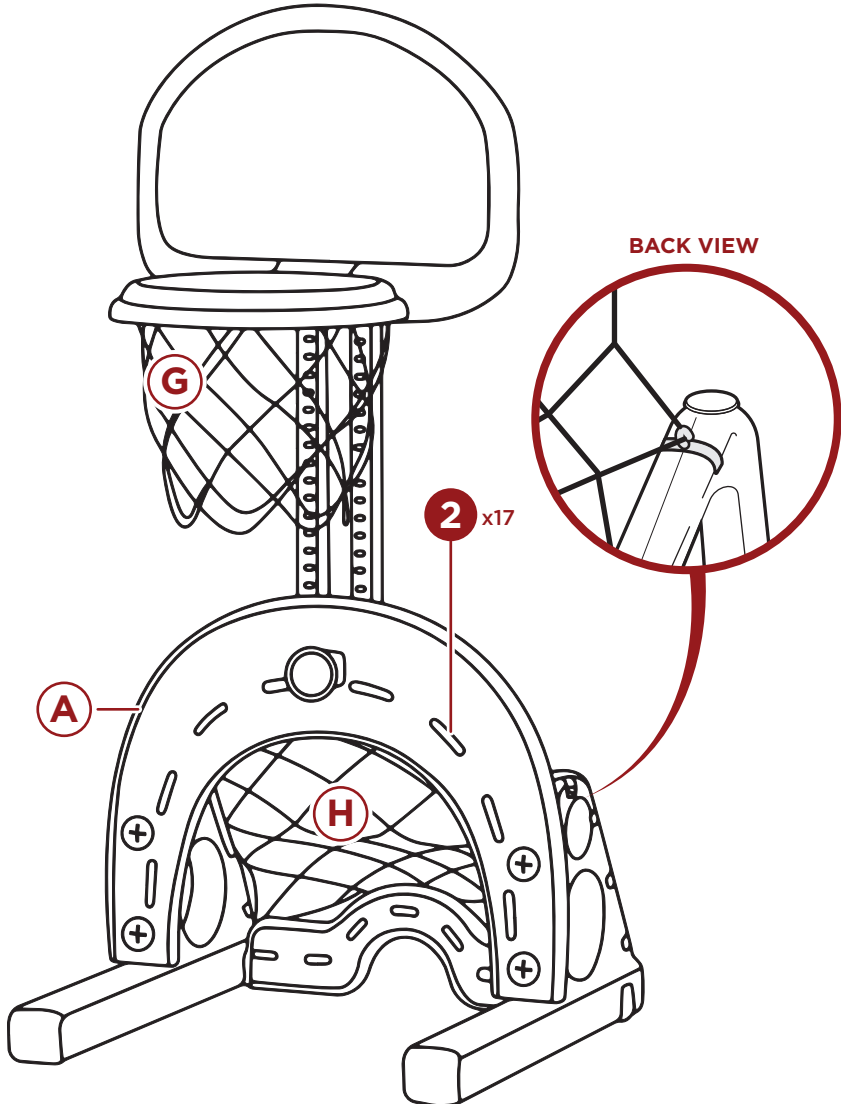
5

Attach the **part G basketball net** to the hoop.

Attach seventeen **part 2 net hooks** to the base stands and the **part A goal**.

Attach the **part H soccer net** to the hooks.

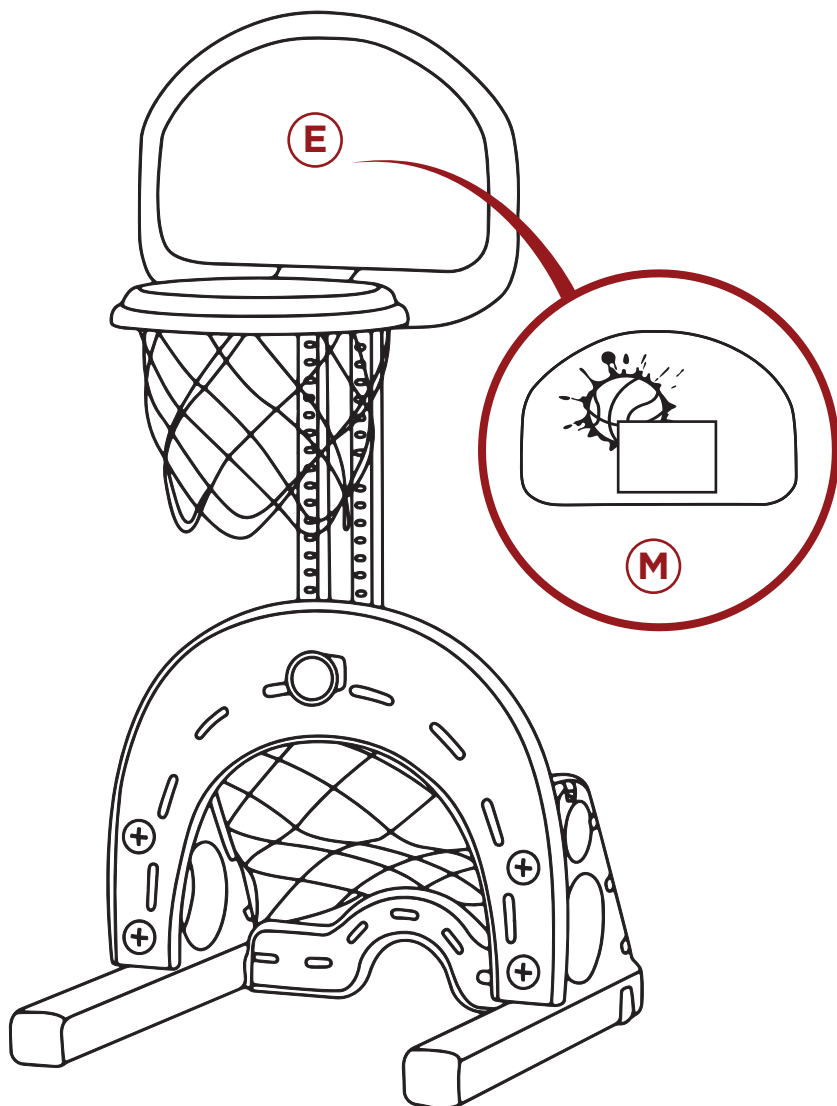
**NOTE:** When attaching the net hooks, make sure their opening is facing outward.



## PRODUCT ASSEMBLY

6

Peel the stick on the **part M sticker sheet** to the **part E backboard** to complete assembly.





# HELP CENTER



Question about your product? We're here to help. Visit us at:

[help.bestchoiceproducts.com](https://help.bestchoiceproducts.com)



Chat Support



Product Inquiry



Orders FAQ



Product Assembly



Returns & Refunds

## PRODUCT WARRANTY INFORMATION

All items can be returned for any reason within 60 days of the receipt and will receive a full refund as long as the item is returned in its original product packaging and all accessories from its original shipment are included. All returned items will receive a full refund back to the original payment method. All returned items will not be charged a re-stocking fee.

All returned items require an RA (Return Authorization) number, which can only be provided by a Best Choice Products Customer Service Representative when the return request is submitted. Items received without an RA may not be accepted or may increase your return processing time. Once an item has been received by Best Choice Products, refunds or replacements will be processed within 5 business days.

All returns must be shipped back to the Best Choice Products Return Center at the customer's expense. If the reason for return is a result of an error by Best Choice Products then Best Choice Products will provide a pre-paid shipping label via email. Boxes for return shipping will not be provided by Best Choice Products, and is the customer's responsibility to either use the original shipping boxes or purchase new boxes.

Pictures may be required for some returns to ensure an item is not damaged prior to its return. Items returned are not considered undamaged until they are received by Best Choice Products and verified as such. All damages to items are the customer's responsibility until the item has been received by and acknowledge by Best Choice Products as undamaged.

© 2023 Best Choice Products, Inc. All rights reserved. Distributed by Best Choice Products, Inc. Tustin, CA 92780

## WARNING

Manufacturer and seller expressly disclaim any and all liability for personal injury, property damage or loss, whether direct, indirect, or incidental, resulting from the incorrect attachment, improper use, inadequate maintenance, unapproved modification, or neglect of this product.