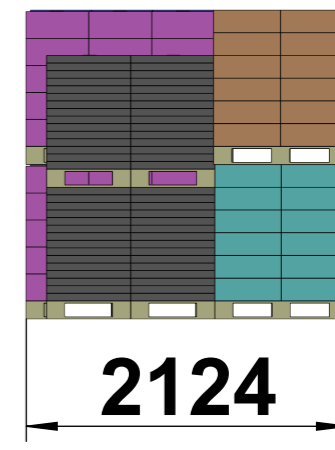
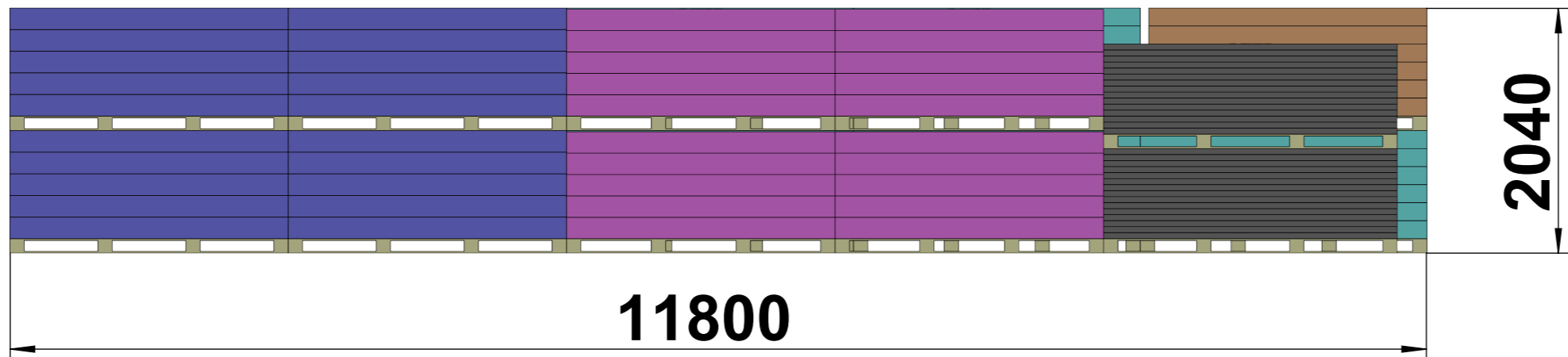
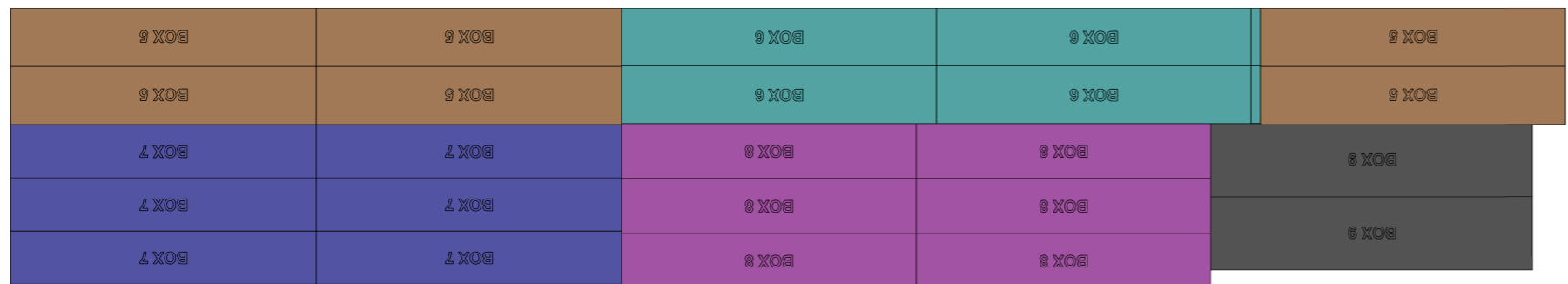
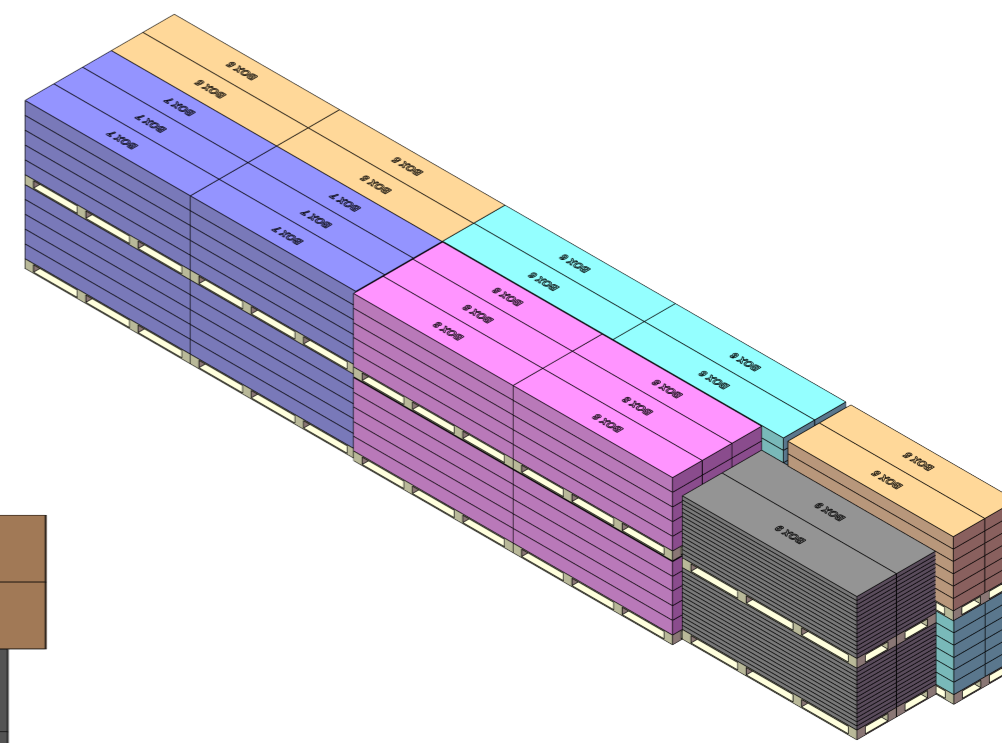
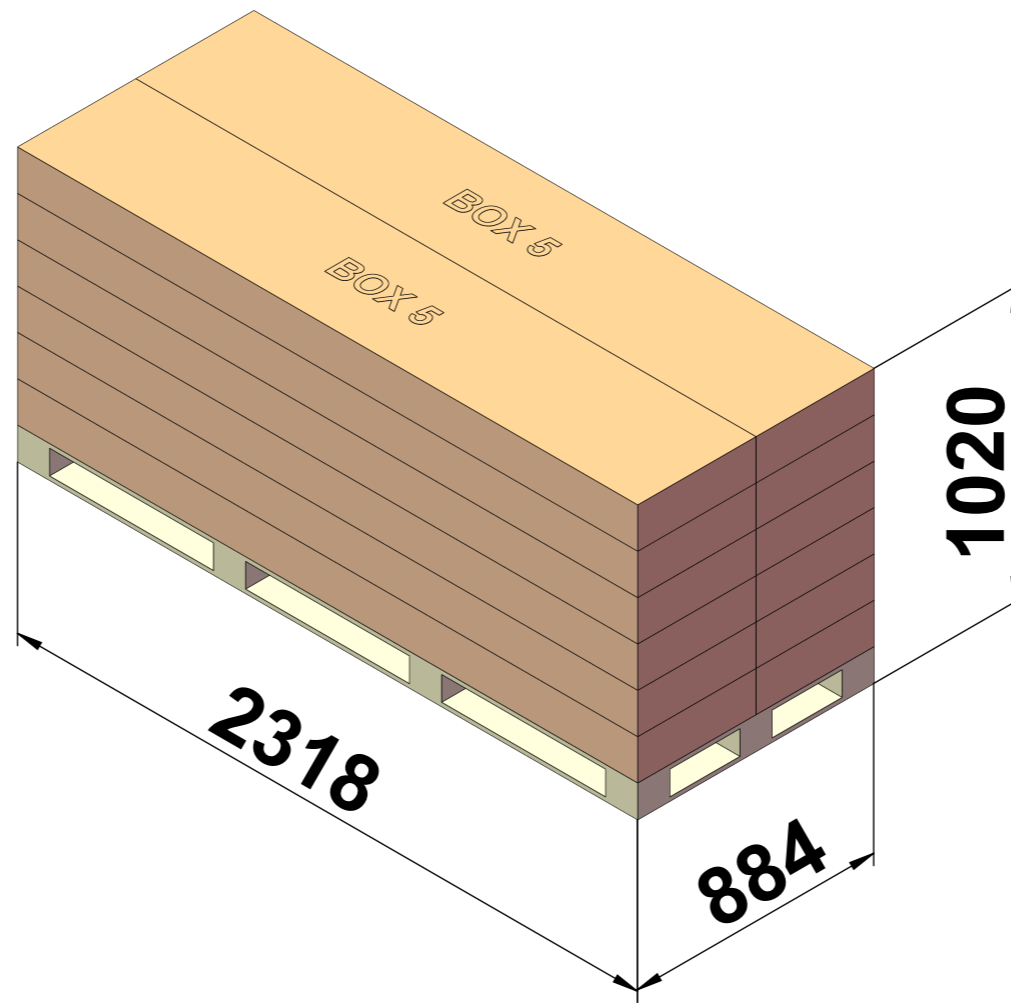


2404144 Lancaster L-Shape Kitchen Loading Diagram

60 sets / 40HQ, total 22 pallets, gross weight : 19960 Kg

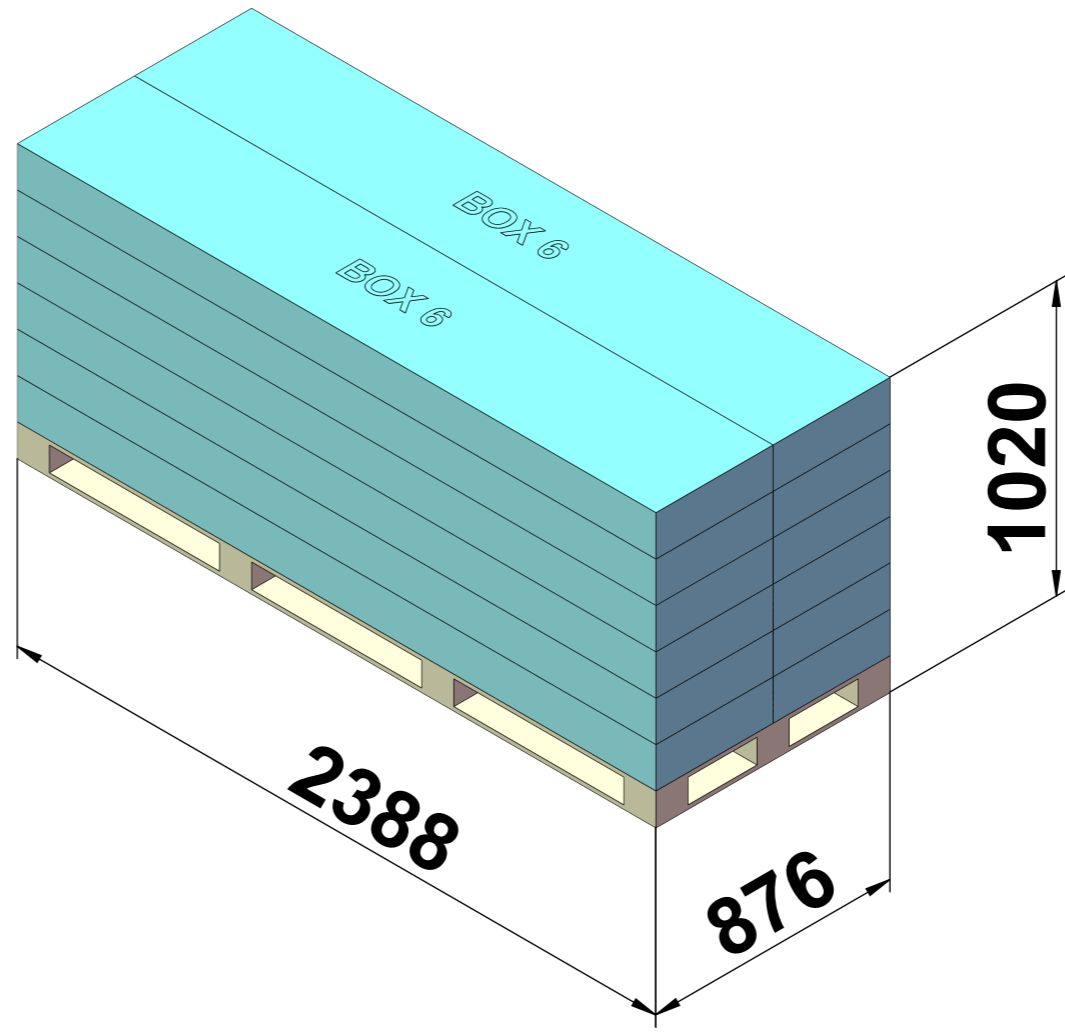


BOX 5 Pallet Details



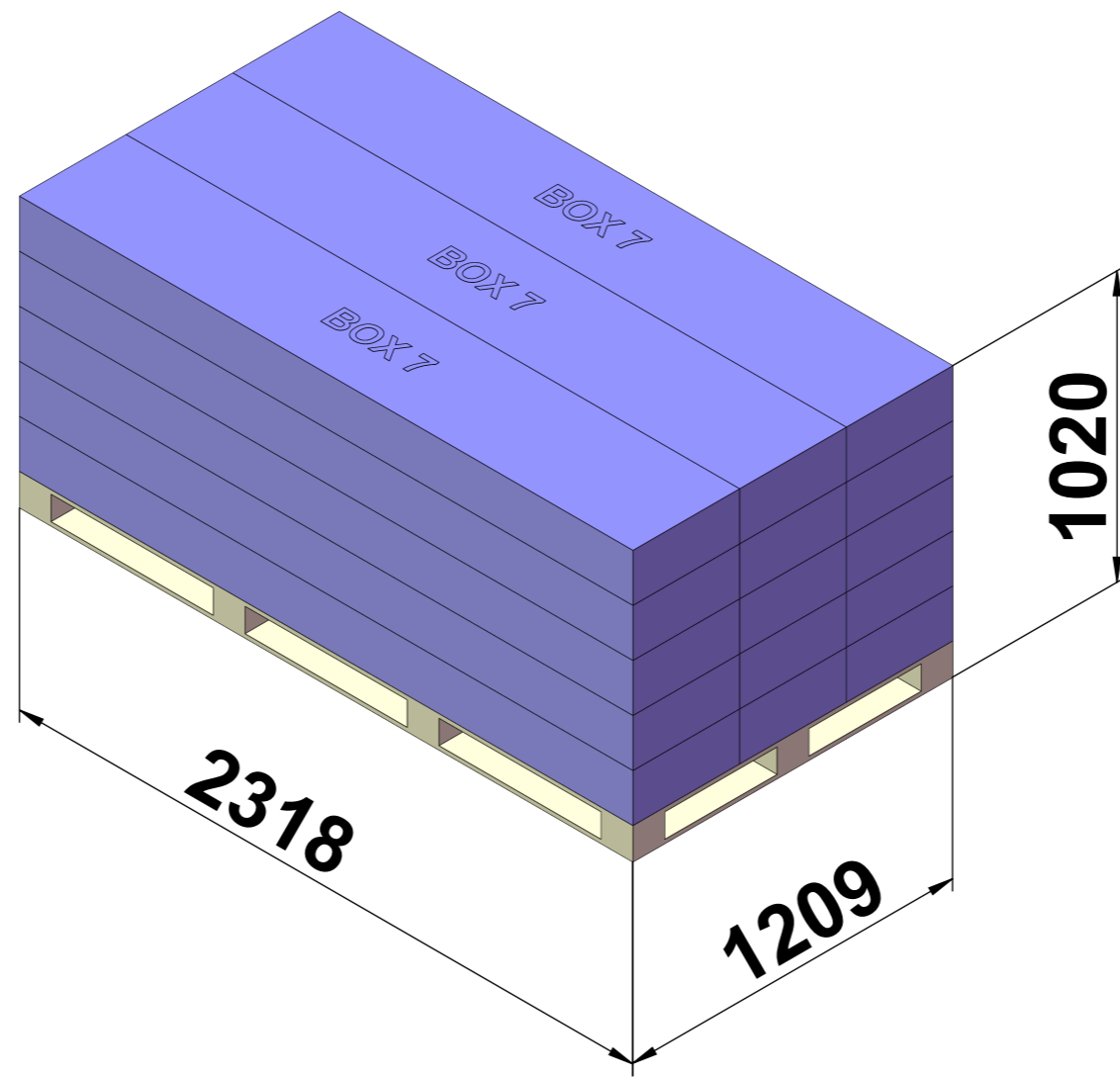
**Pallet A 12 boxes
5 pallets**

BOX 6 Pallet Details



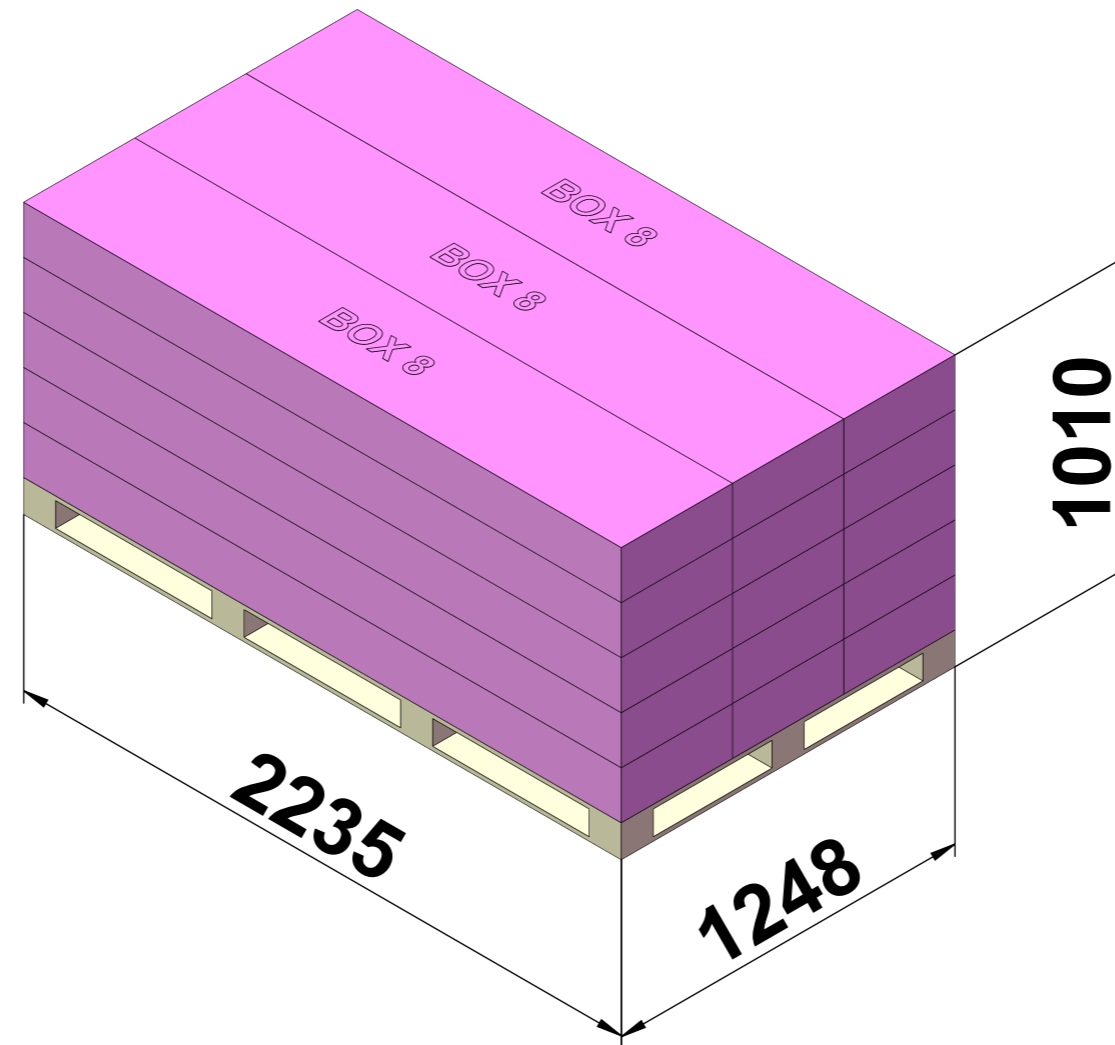
**Pallet A 12 boxes
5 pallets**

BOX 7 Pallet Details



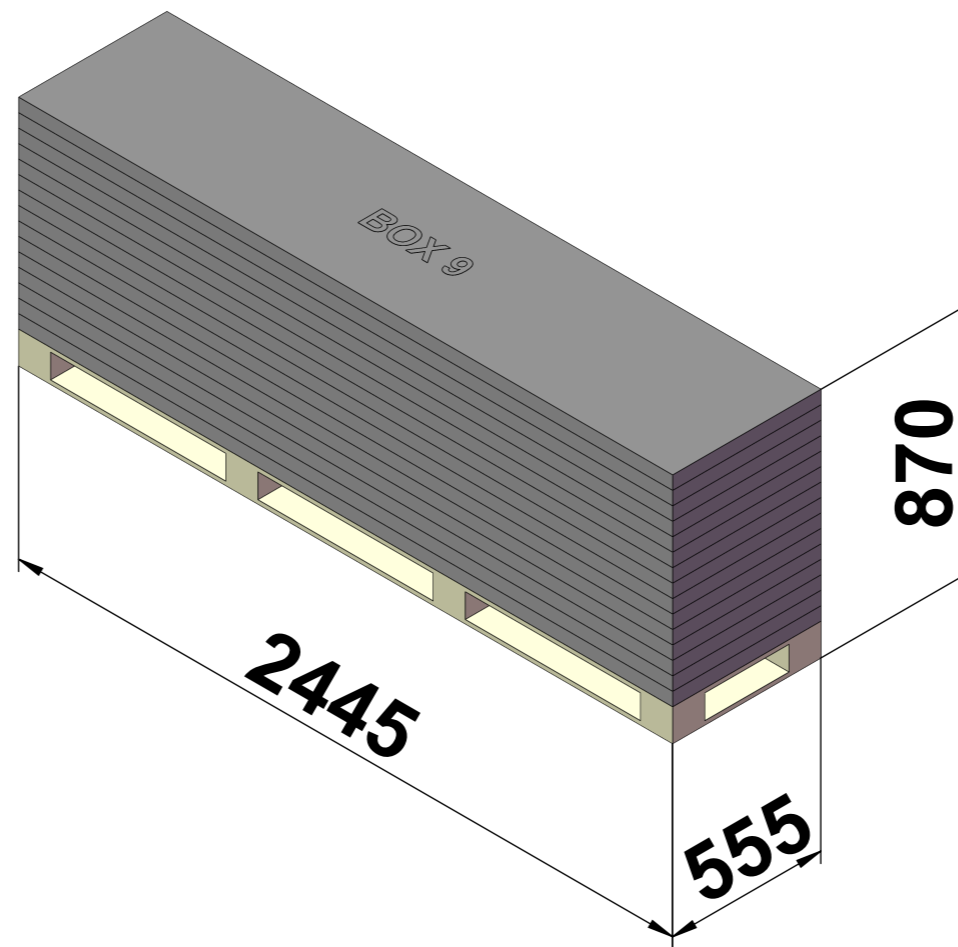
**Pallet A 15 boxes
4 pallets**

BOX 8 Pallet Details



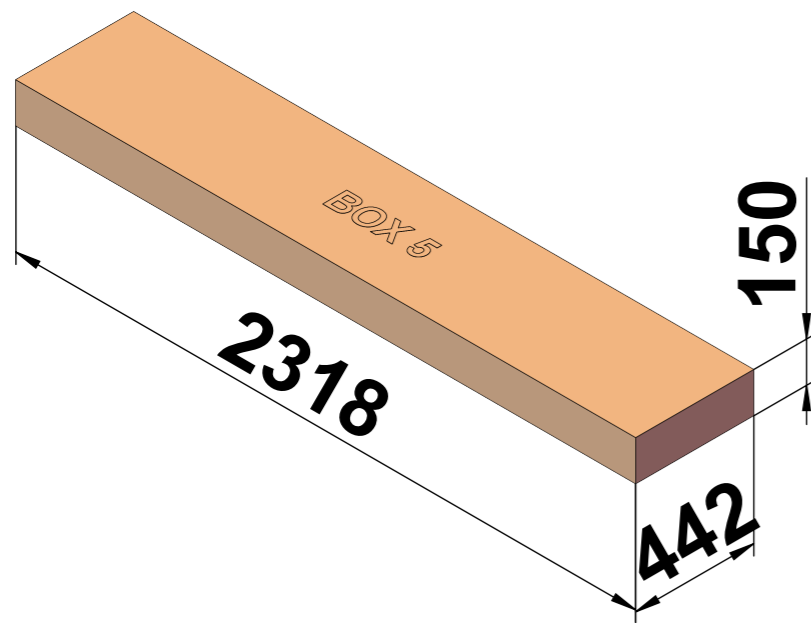
**Pallet A 15 boxes
4 pallet**

BOX 9 Pallet Details

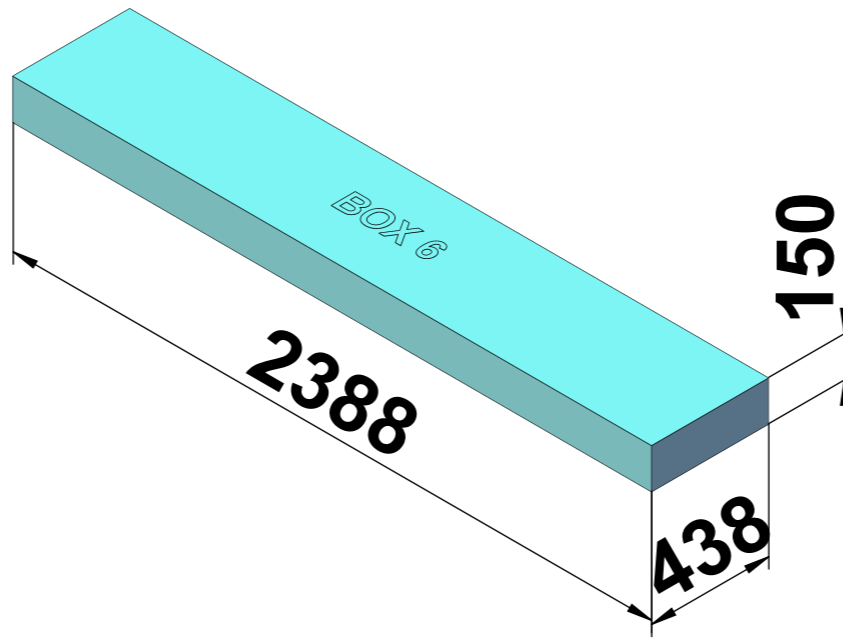


**Pallet A 15 boxes
4 pallets**

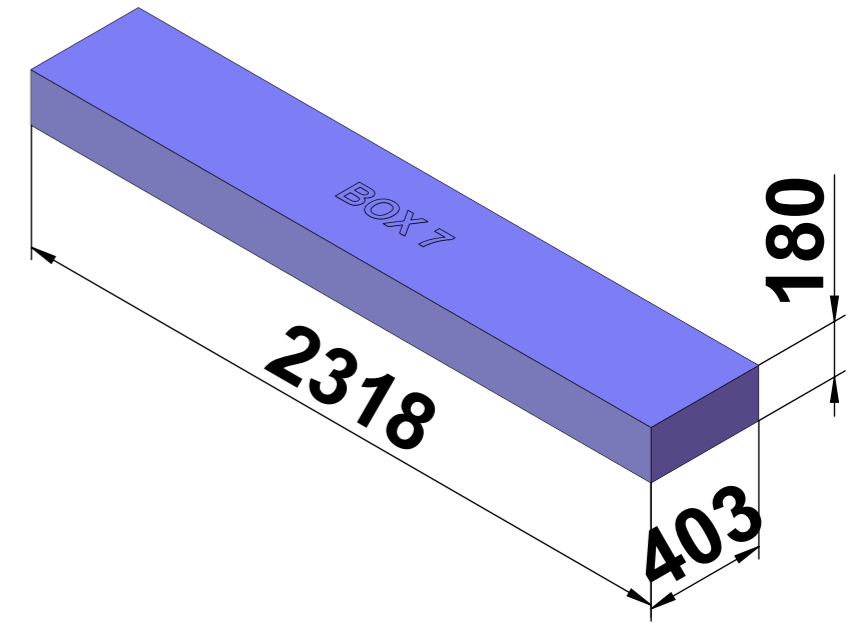
BOX details



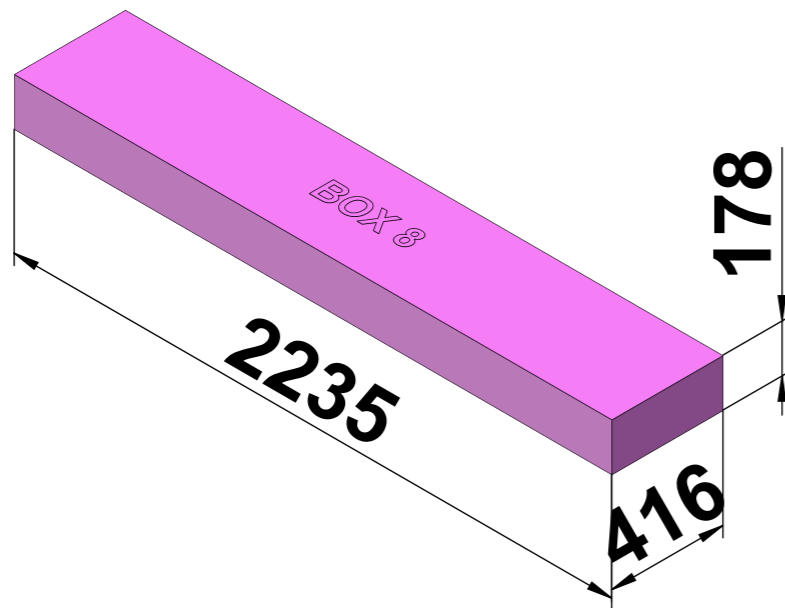
BOX 5 58.4 Kg



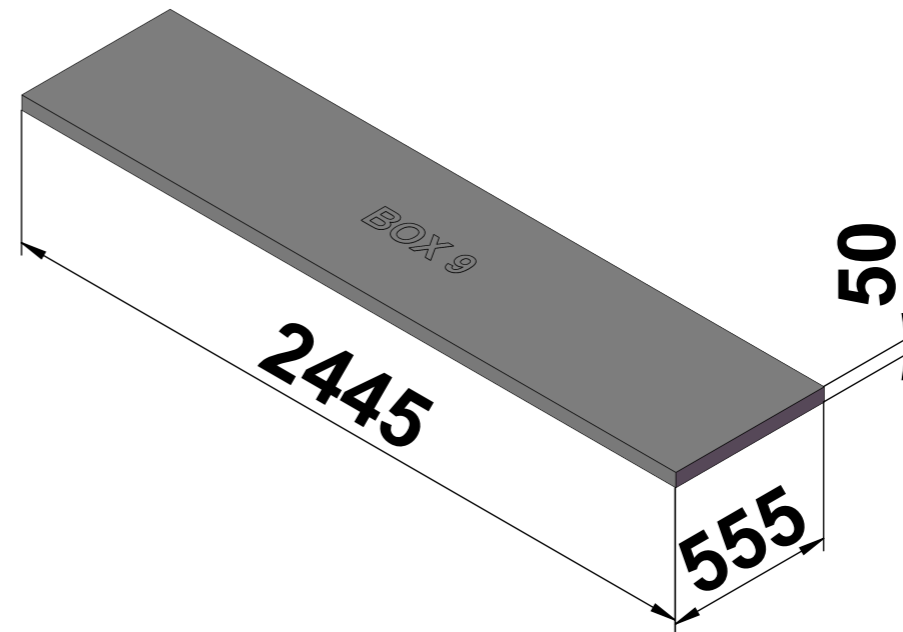
BOX 6 65.4 Kg



BOX 7 66.5 Kg



BOX 8 72.9 Kg



BOX 9 57.5 Kg