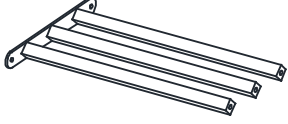

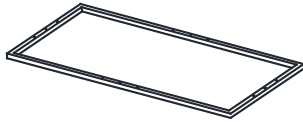
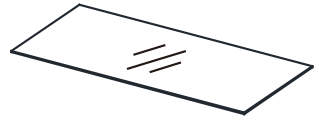
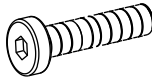
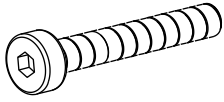
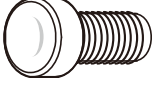
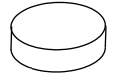

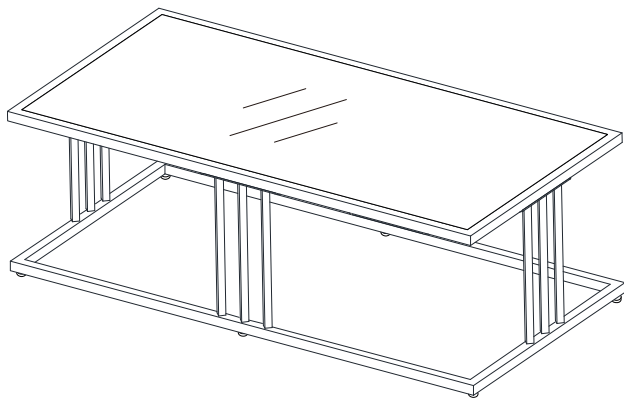


# ASSEMBLY INSTRUCTION

## E741-30 COCKTAIL TABLE WITH MIRROR TOP

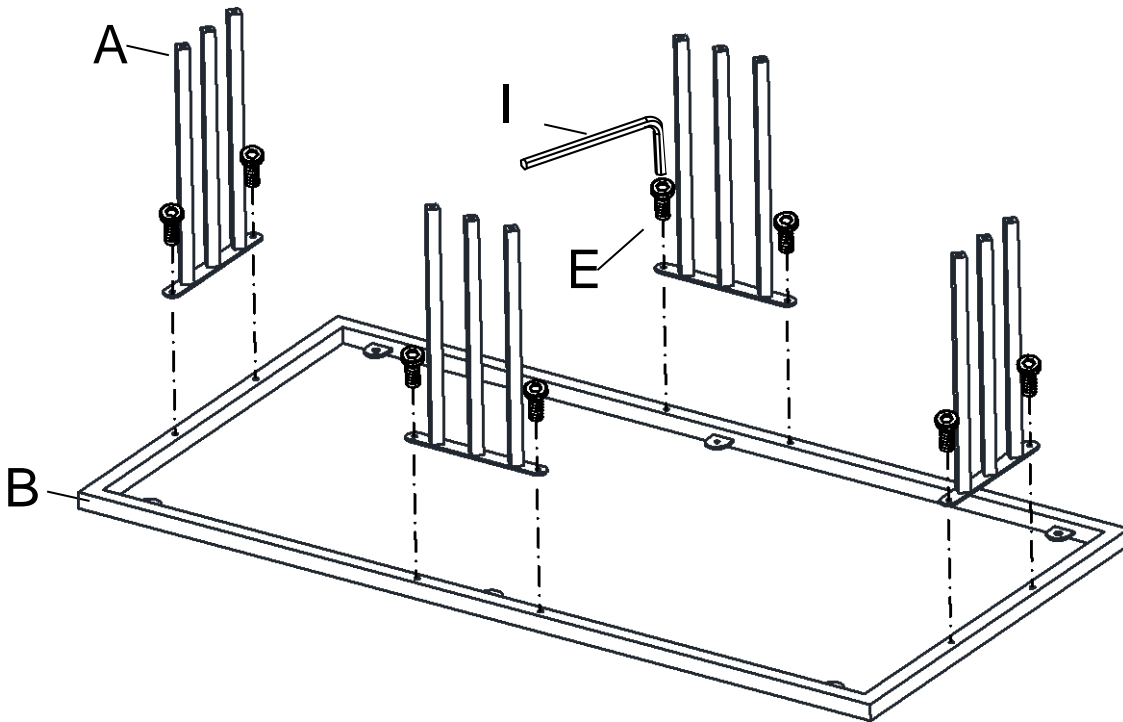
<b>A</b> Side Panel  4pcs	<b>B</b> Top Frame  1pc	<b>C</b> Bottom Frame  1pc	<b>D</b> Mirror Top  1pc
<b>E</b> Bolt 1/4" x 1/2"  8pcs	<b>F</b> Bolt 1/4" x 1-1/2"  12pcs	<b>G</b> Leveler Φ 13mm  4pcs	<b>H</b> Pad Φ 8mm  6pcs
<b>I</b> Allen Wrench 1/4"  1pc			



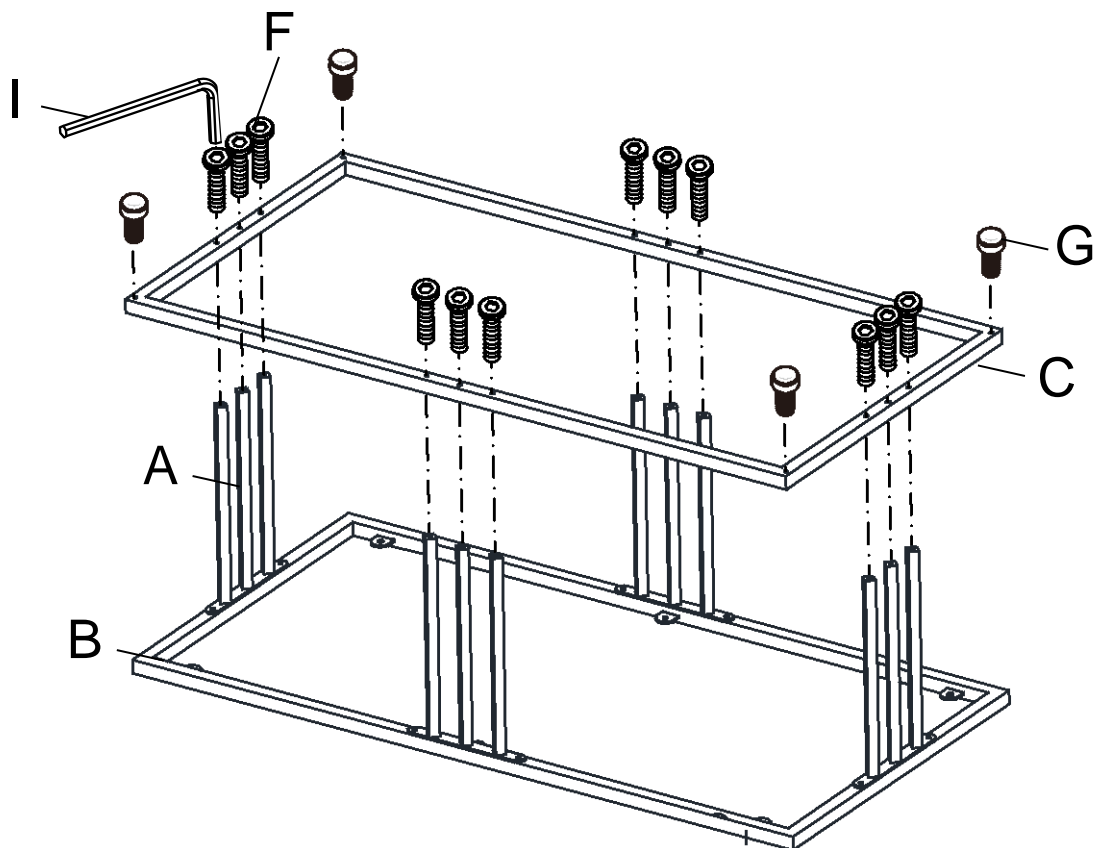
This page lists all the contents included in the box. Please take the time to identify the hardware as well as the individual components to this product. As you unpack and prepare for assembly, place the contents on a carpeted or padded area to protect them from damage.

**\*\*\* Do not tighten screws & bolts until the entire unit is completely assembled.**

**1** Attach Side Panels (A) to Top Frame (B) by Bolt (E) and Allen Wrench (I) as shown.

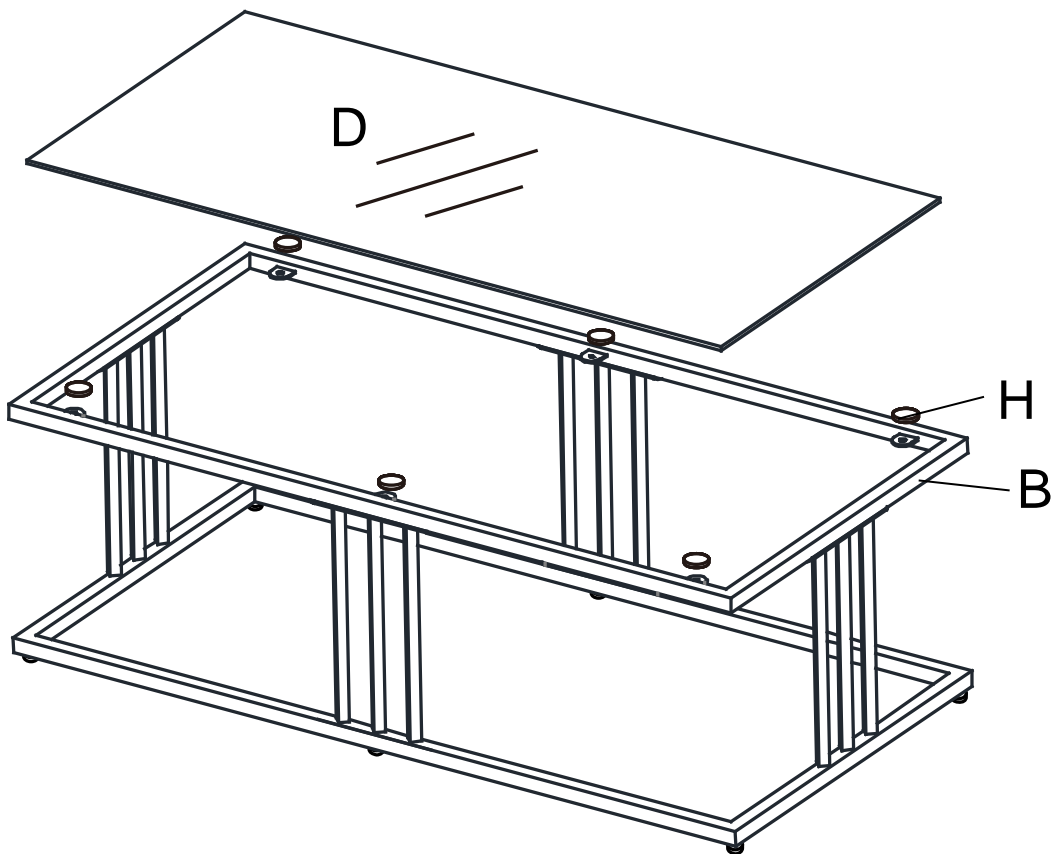


**2** Attach Bottom Frame (C) to Side Panel (A) by Bolt (F) and Allen Wrench (I). Attach Leveler (G) to Bottom Frame (C) as shown. Please tighten all bolts and turn the unit upside down.



**3**

Attach Pad (H) to Top Frame (B), then put the Mirror Top (D) on the Top Frame (B) as shown.



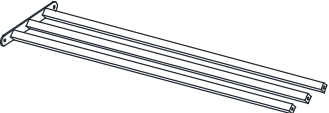
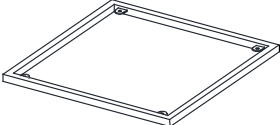
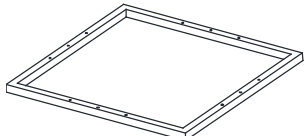
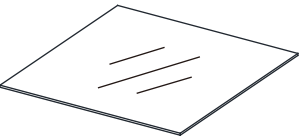
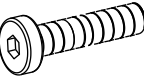
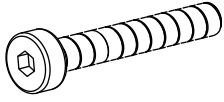
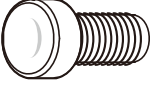
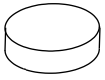

---

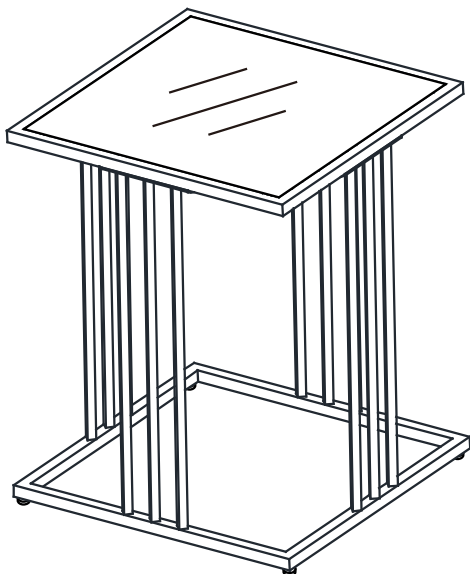
### Cleaning & Care

Treat surface with care. Surface is resistant to scratches but is not scratch resistant. Clean surfaces with a dry or damp soft cloth. Do not use abrasive cleaners. Hardware may loosen over time. Periodically check that all connections are tight.

# ASSEMBLY INSTRUCTION

## E741-04 END TABLE WITH MIRROR TOP

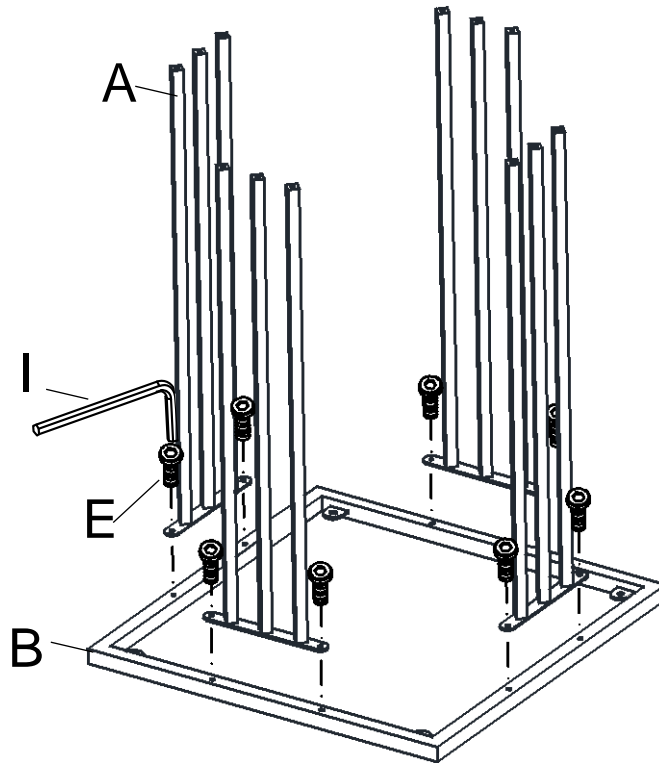
<b>A</b> Side Panel  4pcs	<b>B</b> Top Frame  1pc	<b>C</b> Bottom Frame  1pc	<b>D</b> Mirror Top  1pc
<b>E</b> Bolt 1/4" x 1/2"  8pcs	<b>F</b> Bolt 1/4" x 1-1/2"  12pcs	<b>G</b> Leveler Φ 13mm  4pcs	<b>H</b> Pad Φ 8mm  4pcs
<b>I</b> Allen Wrench 1/4"  1pc			



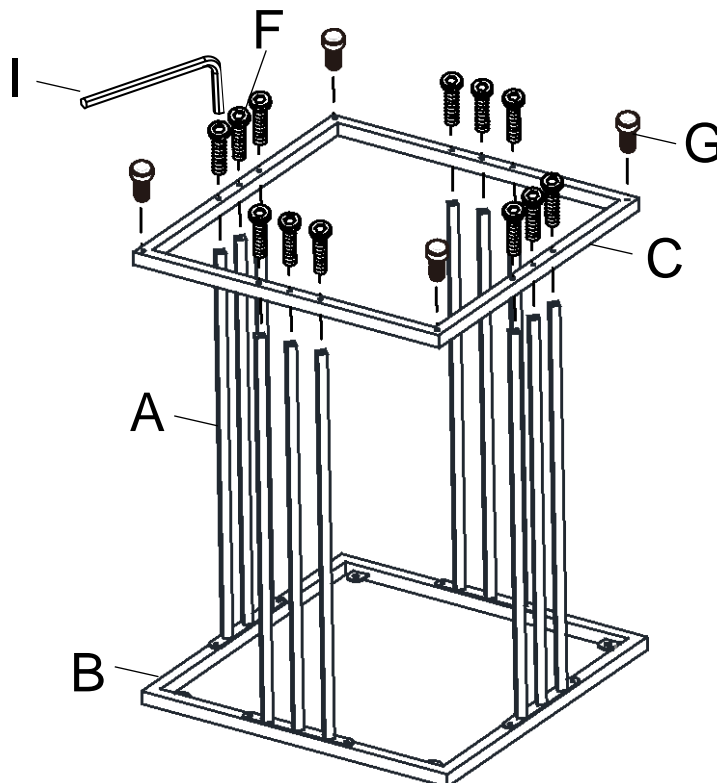
This page lists all the contents included in the box. Please take the time to identify the hardware as well as the individual components to this product. As you unpack and prepare for assembly, place the contents on a carpeted or padded area to protect them from damage.

**\*\*\* Do not tighten screws & bolts until the entire unit is completely assembled.**

**1** Attach Side Panels (A) to Top Frame (B) by Bolt (E) and Allen Wrench (I) as shown.

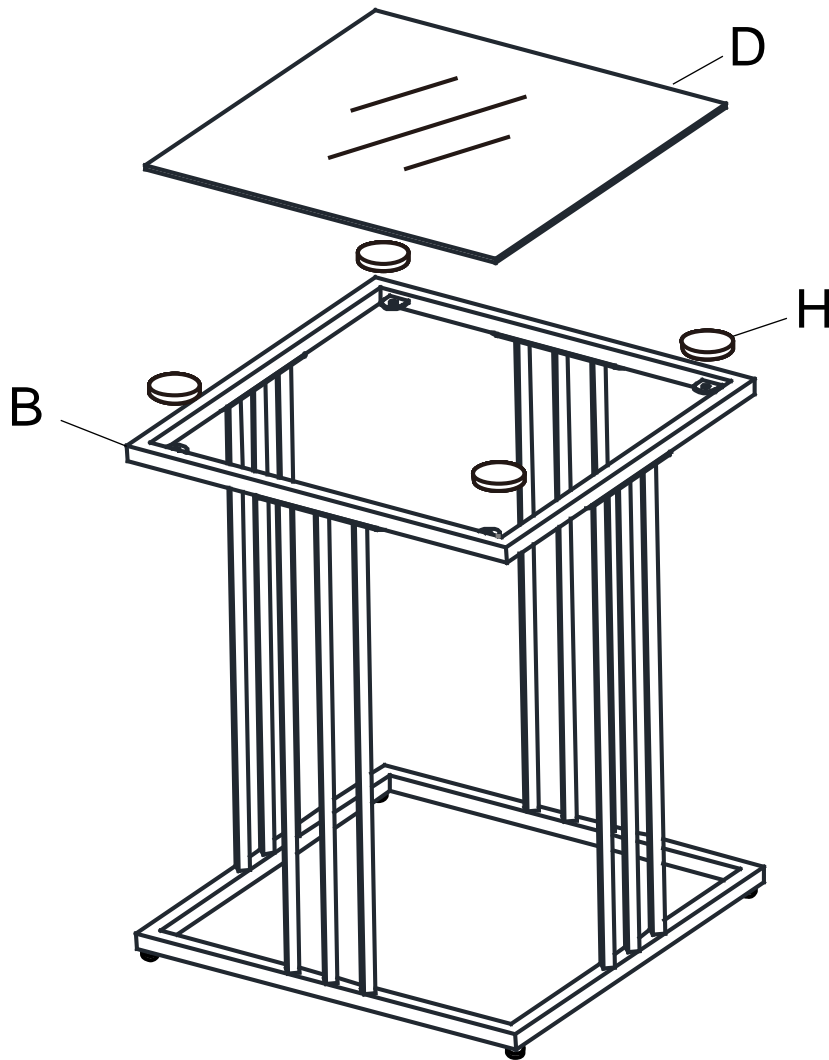


**2** Attach Bottom Frame (C) to Side Panel (A) by Bolt (F) and Allen Wrench (I). Attach Leveler (G) to Bottom Frame (C) as shown. Please tighten all bolts and turn the unit upside down.



**3**

Attach Pad (H) to Top Frame (B), then put the Mirror Top (D) on the Top Frame (B) as shown.



---

### Cleaning & Care

Treat surface with care. Surface is resistant to scratches but is not scratch resistant. Clean surfaces with a dry or damp soft cloth. Do not use abrasive cleaners. Hardware may loosen over time. Periodically check that all connections are tight.