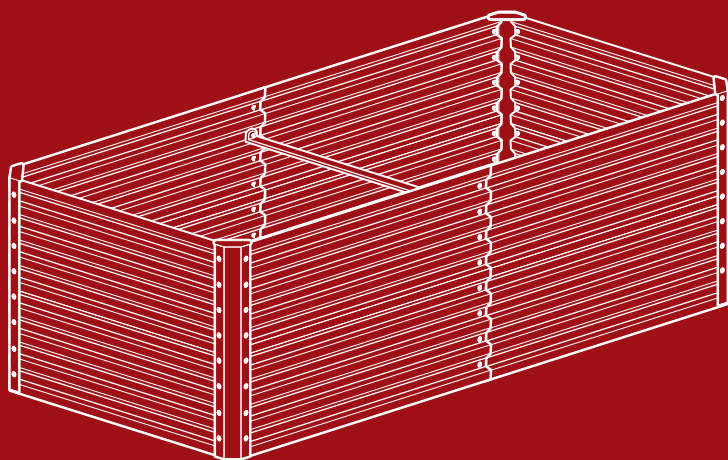




BEST CHOICE
PRODUCTS



INSTRUCTION MANUAL

Metal Raised Garden Bed

SKY6142 + SKY6418 + SKY6616 + SKY7323 + SKY7324 + SKY7325
SKY7326 + SKY7327 + SKY7328



**BEST CHOICE
PRODUCTS**

As shoppers, we're always trying to find the perfect balance between quality & value. At BCP, we believe we've achieved that. Our diverse catalog of everyday essentials is tailored especially to our customers & guaranteed to hit that sweet spot of high quality & low price.

— Always. —

! NOTICE

Please retain these instructions for future reference.

- Do not stand on or use any part of this item as a step ladder.
- Firmly secure all bolts, screws and knobs before use.
- Reconfirm that all bolts, screws, and knobs are secure every 90 days.
- Be aware that some parts are heavy and have sharp edges.
- If any parts are missing, broken, damaged, or worn, stop using this product until repairs are made and/or factory replacement parts are installed.
- Do not use this item in a way inconsistent with the manufacturer's instructions as this could void the product warranty.
- This product is intended for residential use only.

TOOLS REQUIRED



1 PERSON
ASSEMBLY



UP TO 45 MIN.
ASSEMBLY

HARDWARE

1

M6 x 10mm
SCREW
(SKY6142 ONLY)



80 PCS

OR

1

M6 x 15mm
SCREW
(SKY6418 ONLY)



80 PCS

2

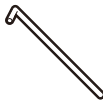
M6 WINGNUT



80 PCS

3

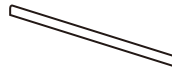
STAKE



4 PCS

4

RUBBER
BUMPER



1 PC

PARTS

A

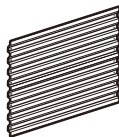
END PANEL



2 PCS

B

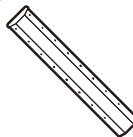
SIDE PANEL



4 PCS

C

BRACKET



4 PCS

D

BRACING ROD



2 PCS

CALIFORNIA PROPOSITION 65

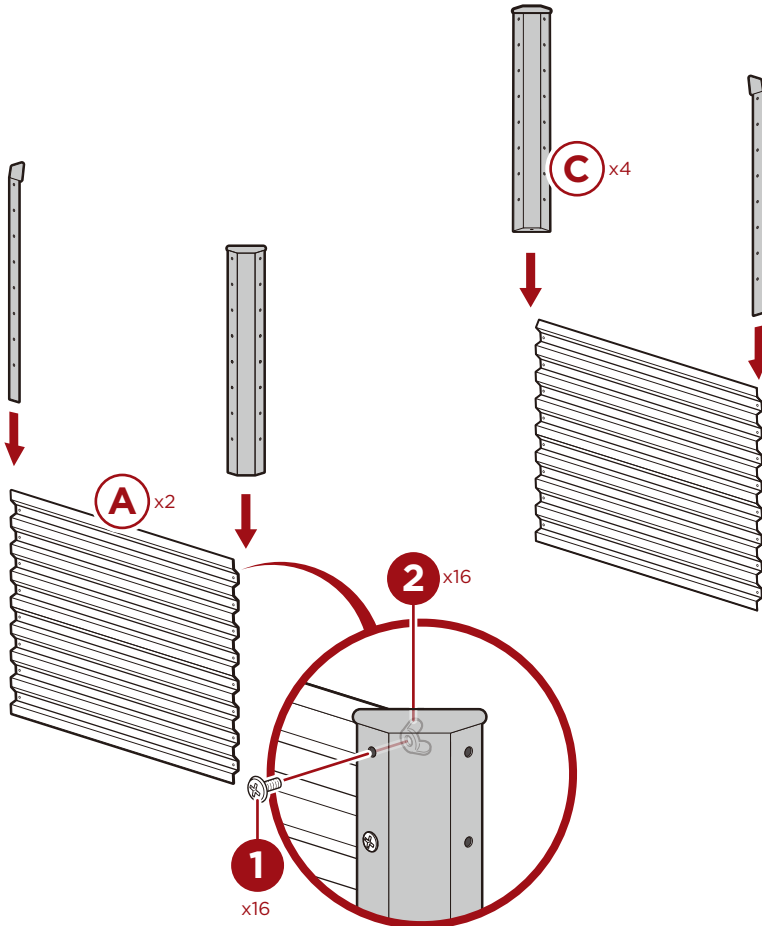
⚠ WARNING: This product can expose you to chemicals including Lead and lead compounds, which is known to the State of California to cause cancer and birth defects or other reproductive harm. For more information go to www.P65Warnings.ca.gov

PRODUCT ASSEMBLY

1

Attach two part C brackets to one part A end panel with sixteen part 1 screws, and secure with sixteen part 2 wingnuts.

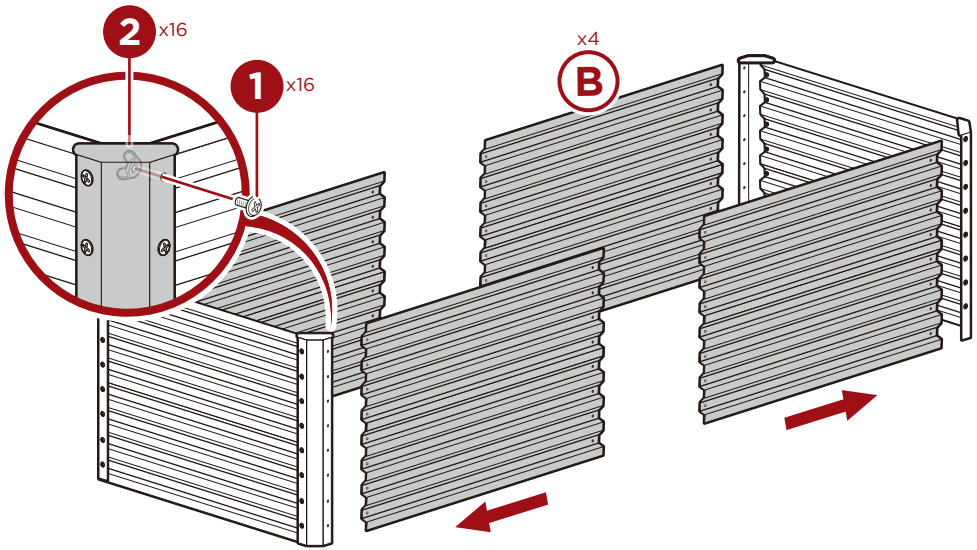
Repeat to assemble the other end.



PRODUCT ASSEMBLY

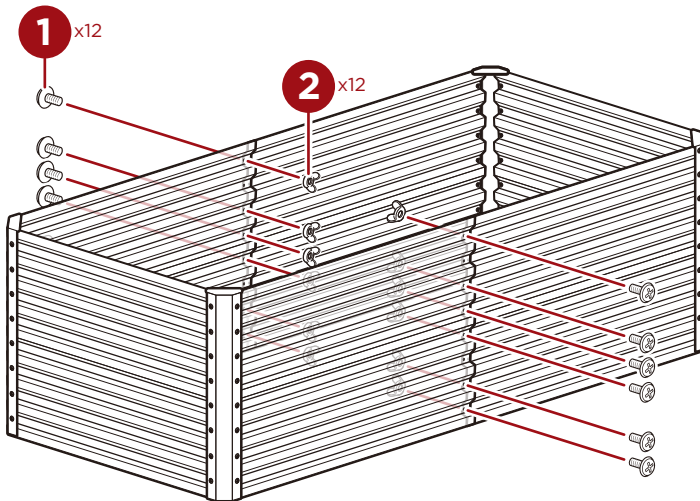
2

Attach two part B side panels to two part C bracket assemblies with sixteen part 1 screws, and secure with sixteen part 2 wingnuts. Repeat to assemble the other end.



3

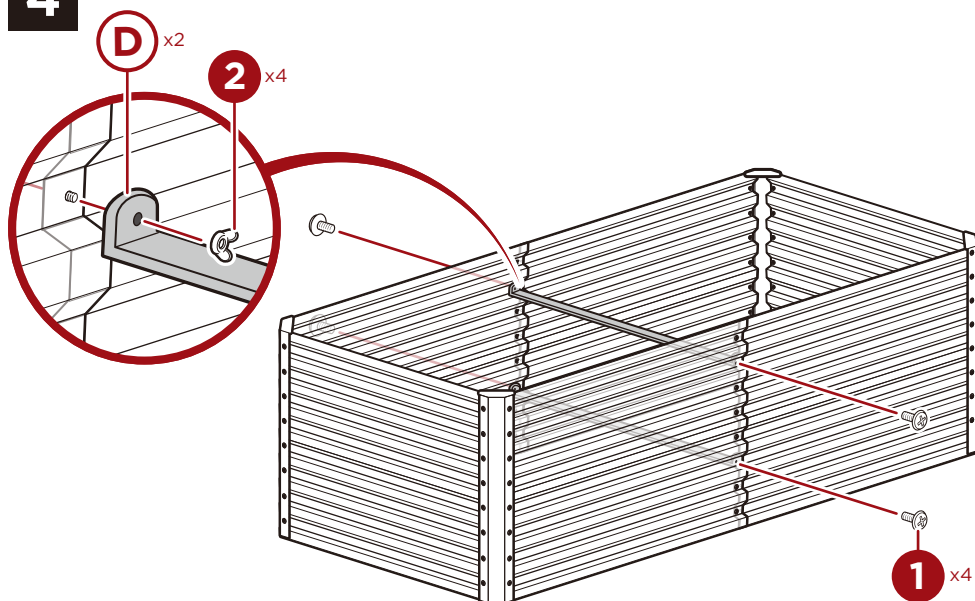
Overlap the two halves of the garden bed, then connect with twelve part 1 screws and secure with twelve part 2 wingnuts. Leave the second and sixth set of connector holes empty.



PRODUCT ASSEMBLY

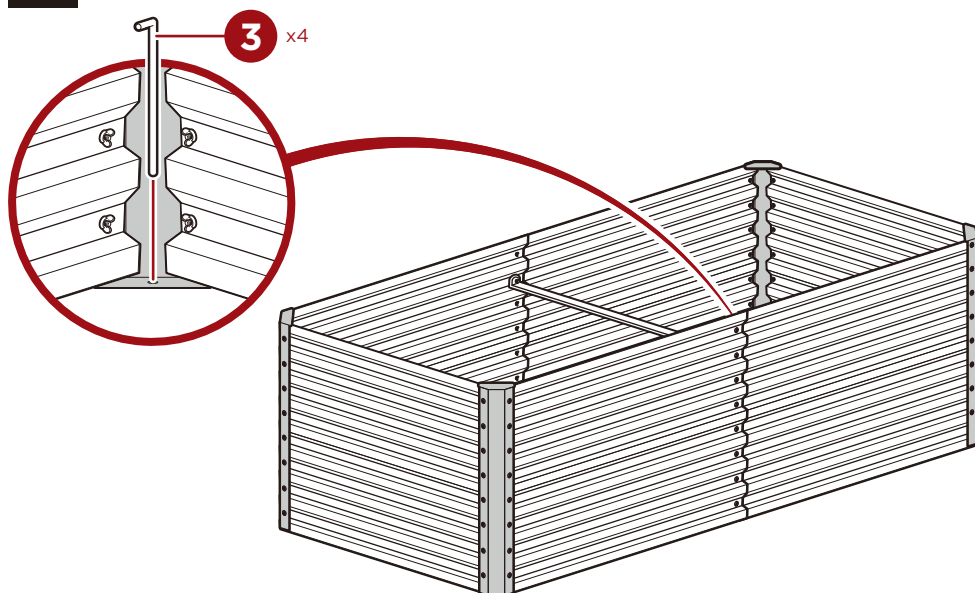
4

Attach the two part D bracing rods with four part 1 screws and four part 2 wingnuts.



5

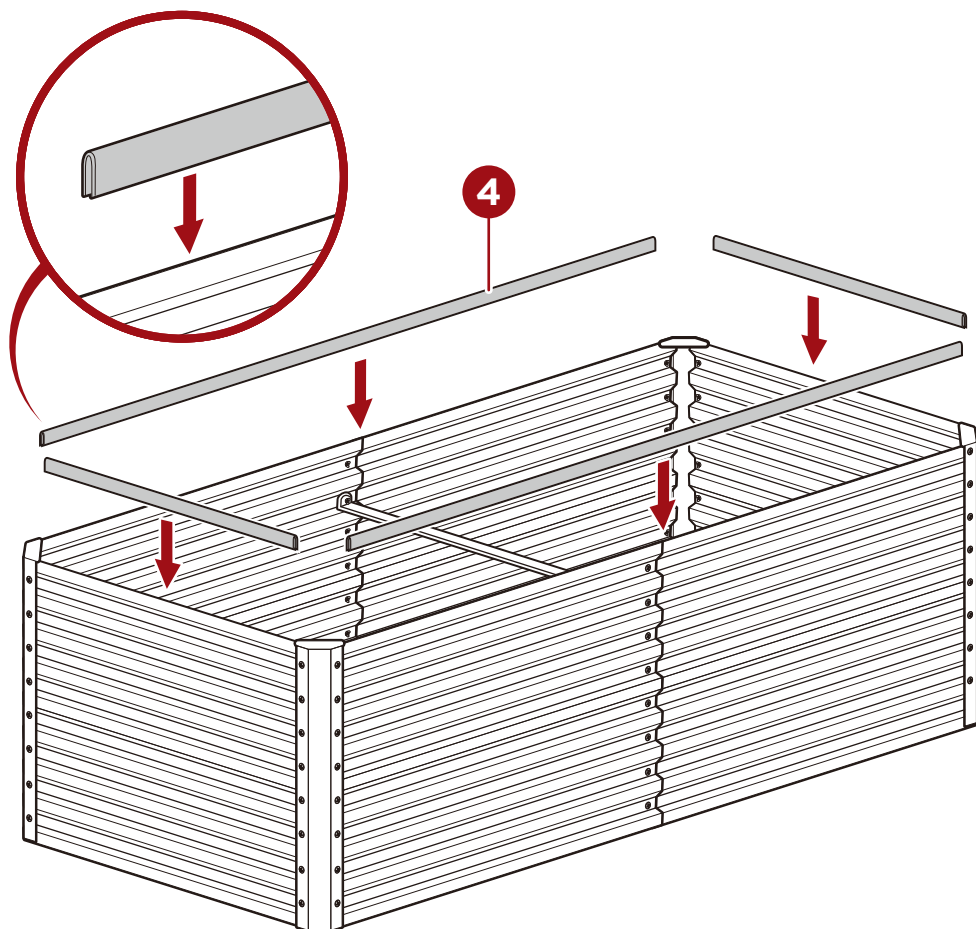
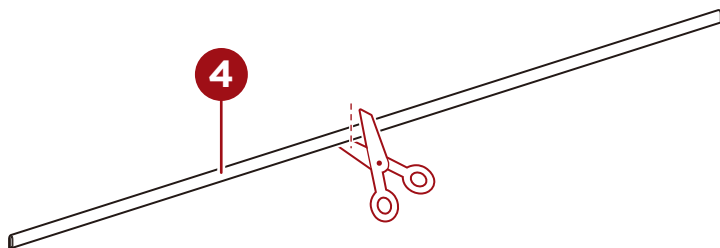
Secure the brackets with four part 3 ground stakes, one stake per bracket.



PRODUCT ASSEMBLY

6

Cut the part 4 rubber bumper into four pieces equal to the length/width of the garden bed, then place them on the top edges.





HELP CENTER



Question about your product? We're here to help. Visit us at:

help.bestchoiceproducts.com



Chat Support



Product Inquiry



Orders FAQ



Product Assembly



Returns & Refunds

PRODUCT WARRANTY INFORMATION

All items can be returned for any reason within 60 days of the receipt and will receive a full refund as long as the item is returned in its original product packaging and all accessories from its original shipment are included. All returned items will receive a full refund back to the original payment method. All returned items will not be charged a re-stocking fee.

All returned items require an RA (Return Authorization) number, which can only be provided by a Best Choice Products Customer Service Representative when the return request is submitted. Items received without an RA may not be accepted or may increase your return processing time. Once an item has been received by Best Choice Products, refunds or replacements will be processed within 5 business days.

All returns must be shipped back to the Best Choice Products Return Center at the customer's expense. If the reason for return is a result of an error by Best Choice Products then Best Choice Products will provide a pre-paid shipping label via email. Boxes for return shipping will not be provided by Best Choice Products, and is the customer's responsibility to either use the original shipping boxes or purchase new boxes.

Pictures may be required for some returns to ensure an item is not damaged prior to its return. Items returned are not considered undamaged until they are received by Best Choice Products and verified as such. All damages to items are the customer's responsibility until the item has been received by and acknowledged by Best Choice Products as undamaged.

© 2023 Best Choice Products, Inc. All rights reserved. Distributed by Best Choice Products, Inc. Tustin, CA 92780

WARNING

Manufacturer and seller expressly disclaim any and all liability for personal injury, property damage or loss, whether direct, indirect, or incidental, resulting from the incorrect attachment, improper use, inadequate maintenance, unapproved modification, or neglect of this product.