



Sunstruck®
60" x 34" freestanding bath with Bask® heated surface
and straight shroud
K-24001-W1

Features

- Bask® heated surface creates spa-like relaxation with soothing warmth on your back, shoulders, and neck
- Three heat settings allow you to customize the surface temperature
- Freestanding design creates a striking focal point in your bathing area
- 16" (406 mm) depth offers a deep soaking experience
- Integral lumbar support
- Textured bottom surface
- Wide ledge on one side is ideal for deck-mount faucet and/or handshower
- Straight shroud

Material

- Acrylic

Installation

- Center drain
- Freestanding
- PureFlo drains are not recommended for a deck-mount faucet installation

Required Products/Accessories

K-T37391 Rotary-turn bath drain trim
K-T37392 Rotary-turn bath drain trim

or

K-78438 30" cable bath drain

Recommended Products/Accessories

K-T37393 Traditional rotary-turn bath drain trim
K-T37395 Bath drain trim
K-T37396 Traditional push-button bath drain trim
K-7265 Brass toe tap bath drain
K-23726 Drain treatment



Codes/Standards

CSA B45.5/IAPMO Z124
ASTM E162
ASTM E662
UL 1795
CSA C22.2 No. 218.2
cUL Listed
UL Listed

**KOHLER® One-Year Limited
Warranty**

See website for detailed warranty information.

Available Colors/Finishes

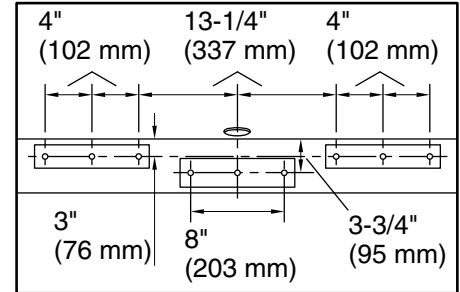
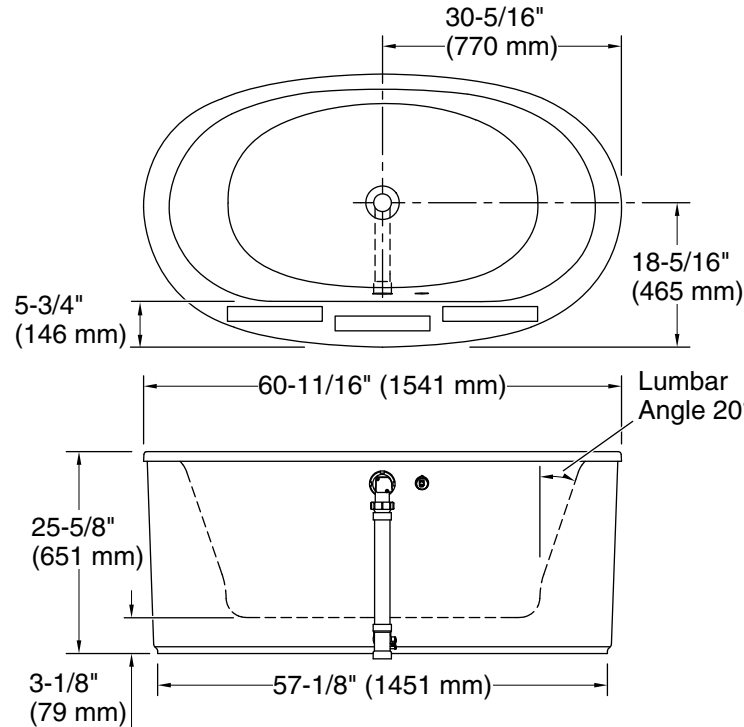
Color tiles intended for reference only.

Color Code Description

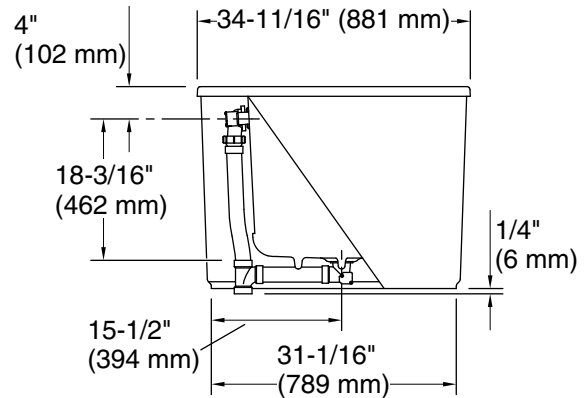
	0	White
---	---	-------

No change in measurements if connected with drain illustrated. (K-37386)

Recommended Faucet Location



Recommended Faucet Hole Location



Required Electrical Service

One circuit required, protected with Class A Ground-Fault Circuit-Interrupter (GFCI). Outside North America, this device may be known as a Residual Current Device (RCD).

Heated Surface: 120 V, 15 A, 60 Hz

Technical Information

All product dimensions are nominal.

Drain location: Center
 Basin area, bottom: 39-5/8" x 23-5/8" (1006 mm x 599 mm)
 Basin area, top: 49-9/16" x 25-1/2" (1259 mm x 648 mm)
 Weight: 170 lbs (77.1 kg)
 Minimum floor load: 49.8 lbs/ft² (243.1 kg/m²)
 Water depth: 16" (406 mm)
 Water capacity: 60 gal (227.1 L)
 Template: Footprint, 1364287, not required, not included
 Electrical component rating: Heated Surface: 120 V, 1.1 A, 50/60 Hz, 65 W

Notes

Measure your actual product for rough-in details.

Install this product according to the installation instructions.

The hot water supply should be 70% of the capacity of the bath or greater. Installations will vary.

If installing a rim-mount faucet, make sure there is no interference above or below the deck before drilling any holes.