

10' x 12' MERIDIAN WOOD ROOM w/LOUVERED ROOF

Installation and Operating Instructions – YM11832



IMPORTANT, RETAIN FOR FUTURE REFERENCE: READ CAREFULLY

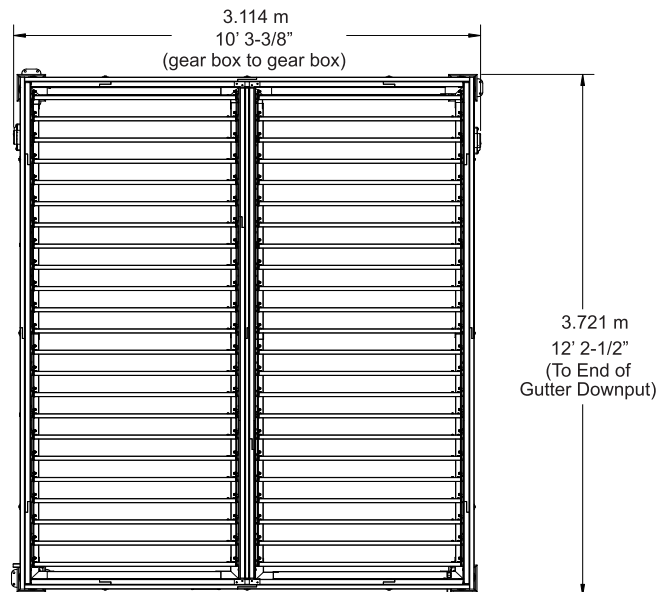
HEIGHT:
2.527m / 8'3-1/2"

Revised 6-14-2022



Yardistry – North America
Toll Free Customer Support:
1.888.509.4382
info@yardistrystructures.com
www.yardistrystructures.com

Patents Pending



Important Safety Notice!

Yardistry components are intended for privacy, decorative and ornamental use only.

Product is NOT INTENDED for the following:

- A safety barrier to prevent unsupervised access to pools, hot tubs, spas or ponds.
- As load bearing support for a building, structure, heavy objects or swings.
- Used in structures that trap wind, rain or snow that would create extra load on the product.

IMPORTANT! When preparing for high winds and/or winter conditions, turn the louvers to the open position (upright) then attach the Lock Out and Quick Link (Page 58). This will prevent the structure from blowing over due to high winds and the louvers from breaking due to snow and ice loads. Any accumulated snow must be removed from roof.

DO NOT climb or walk on roof for any reason.

Permanent structures may require a building permit. As the purchaser and or installer of this product you are advised to consult local planning, zoning and building inspection departments for guidance on applicable building codes and/or zoning requirements.

Wood is NOT flame retardant and will burn. Grills, fire pits and chimineas are a fire hazard if placed too close to a Yardistry structure. Consult user's manual of the grill, fire pit or chiminea for safe distances from combustible materials.

Wear gloves to avoid injury from possible sharp edges of individual elements before assembly.

During installation, follow all safety warnings provided with your tools and use OSHA approved safety glasses. Some structures may require two or more people to install safely.

Check for underground utilities before digging or driving stakes into the ground!

During assembly it is important to closely follow the instructions. Complete the assembly on a solid, level surface and follow the instructions to square up, level and anchor the structure. This will reduce the gaps at wood connections during assembly.

General Information

General Information: Wood components are manufactured with Cedar (C. Lanceolata) which is protected with factory applied water-based stain. Knots, small checks (cracks) and weathering are naturally occurring and do not affect the strength of the product. Annual application of a water-based water repellent sealant or stain is important and will help reduce weathering and checks.

www.yardistrystructures.com

Questions?

Call toll free or write us at:

1 (888) 509-4382

support@yardistrystructures.com

Patents Pending

Limited Warranty

Yardistry warrants that this product is free from defect in materials and workmanship for a period of one (1) year from the original date of purchase. In addition, for any product with lumber, all lumber is warranted for five (5) years against rot and decay. This warranty applies to the original owner and registrant and is non-transferable.

Regular maintenance is required to assure the integrity of your product and is a requirement of the warranty. This warranty does not cover any inspection costs.

This Limited Warranty does not cover:

- Labour for replacement of any defective item(s);
- Incidental or consequential damages;
- Cosmetic defects which do not affect performance or integrity;
- Vandalism; improper use or installation; acts of nature, including but not limited to wind, storms, hail, floods, excessive water exposure;
- Minor twisting, warping, checking or any other natural occurring properties of wood that do not affect performance or integrity.

Yardistry products have been designed for safety and quality. Any modifications made to the original product could damage the structural integrity of the product leading to failure and possible injury. Yardistry cannot assume any responsibility for modified products. Furthermore, modification voids any and all warranties.

This product is warranted for RESIDENTIAL USE ONLY. Yardistry disclaims all other representations and warranties of any kind, express or implied.

This Warranty gives you specific legal rights. You may have other rights as well which vary from state to state or province to province. This warranty excludes all consequential damages, however, some states/provinces do not allow the limitation or exclusion of consequential damages, and therefore this limitation may not apply to you.

Instructions for Proper Maintenance

Your Yardistry structure is designed and constructed of quality materials. As with all outdoor products it will weather and wear. To maximize the enjoyment, safety and life of your structure it is important that you, the owner, properly maintain it.

HARDWARE:

- Check metal parts for rust. If found, sand and repaint using a non-lead paint complying with 16 CFR 1303.
- Inspect and tighten all hardware after completion of assembly; after first month of use; and then annually. Do not over-tighten as to cause crushing and splintering of wood.
- Check for sharp edges or protruding screw threads, add washers if required.

WOOD PARTS:

- Applying a water repellent or stain (water-based) on a yearly basis is important maintenance to maintain maximum life and performance of the product.
- Check all wood members for deterioration, structural damage and splintering. Sand down splinters and replace deteriorated wood members. As with all wood, some checking and small cracks in grain is normal
- Some gapping may occur at some wood connections.

Assembly Guides

Tools Required:

- | | | |
|------------------------------|------------------|-----------------------|
| • Tape Measure | • Hard Hat | • 6' Step Ladder x 3 |
| • Carpenters Level | • Safety Glasses | • Square |
| • Standard or Cordless Drill | • Adult Helper | • Ratchet |
| • Claw Hammer | • Safety Gloves | • 7/16" & 1/2" Socket |
| • 7/16" & 1/2" Wrench | | |

Symbols:

Throughout these instructions symbols are provided in the top, right-hand corner of the page.



- Use Help, where this is shown, 2, 3 or 4 people are required to safely complete this step. To avoid injury or damage to the assembly make sure to get some help.



- Use a measuring tape to assure proper location



- Pre-drill a pilot hole before fastening screw or lag to prevent splitting of wood.

If you dispose of your Yardistry structure: Please disassemble and dispose of your unit so that it does not create any unreasonable hazards at the time it is discarded. Be sure to follow your local waste ordinances.

Assembly Tips

Following are some helpful tips to make the assembly process smooth and efficient.

PRE-ASSEMBLIES:

(i.e. Post and Beam Assemblies, Roof Rafter Assembly, etc)

- Work on a raised, solid and flat surface such as, a table or saw horse.
- Keep all connections flush where shown in the instructions.
- When assembling the beams keep parts flat, straight and snug when connecting.

METAL PARTS:

- Louvered material may have sharp edges, wear safety gloves.
- Place louvered material on a non-abrasive surface before and after assembly as it can bend, dent and scratch easily.

WINTER AND HIGH WIND PREPARATION:

- Turn the louvers to the open position (upright) then attach the Lock Out and Quick Link (Page 59). This will prevent the structure from being blown over due to high winds and the louvers from breaking due to snow and ice loads.
- Any accumulated snow must be removed from roof.

Sealant Application Tips, Warning and First Aid Information

SEALANT:

- All surfaces to be clean, dry, dust and grease free before application with temperatures above 5°C (41°F), no warmer than 35°C (95°F).
- Remove cap and cut a small piece off the nozzle for a small bead.
- Apply sealant in small beads and smooth as required.
- To smooth sealant into the joint use a glove covered finger, putty knife, etc. Smooth sealant to create a continuous water-tight seal, diverting water into the gutter with an unimpeded flow into the gutter drain corner.
- Clean excess with a cloth or paper towel before it skins over.
- An initial bond will set in approximately 20 minutes and fully set in 24 hours.

WARNING:

- CAUSES SERIOUS EYE AND SKIN IRRITATION. Always wear safety glasses and rubber gloves when using product.
- KEEP OUT OF REACH OF CHILDREN.
- Prolonged or repeated exposure MAY CAUSE ORGAN DAMAGE. Provide ample ventilation.

FIRST AID:

- If ingested, DO NOT INDUCE VOMITING. Seek immediate medical attention.
- Eye contact: immediately flush eyes with water for at least 15 minutes. Remove contact lenses if present.
- Skin contact; wash thoroughly with soap and water. If eye/skin irritation persists or respiratory symptoms occur or develop, seek medical attention.

Use of this product can expose you to chemicals including Methanol, which is known to the State of California to cause birth defects and other reproductive harm. For more information, go to www.P65Warnings.ca.gov.

Dispose of contents and container in accordance with local regulations.

Permanent Installation Examples

Note: It is critically important you start with square, solid and level footings, concrete pad or deck to attach your Room.

We supply Post Mounts with this structure which gives you the flexibility to permanently install your structure to a pre-existing or new wood or concrete surface.

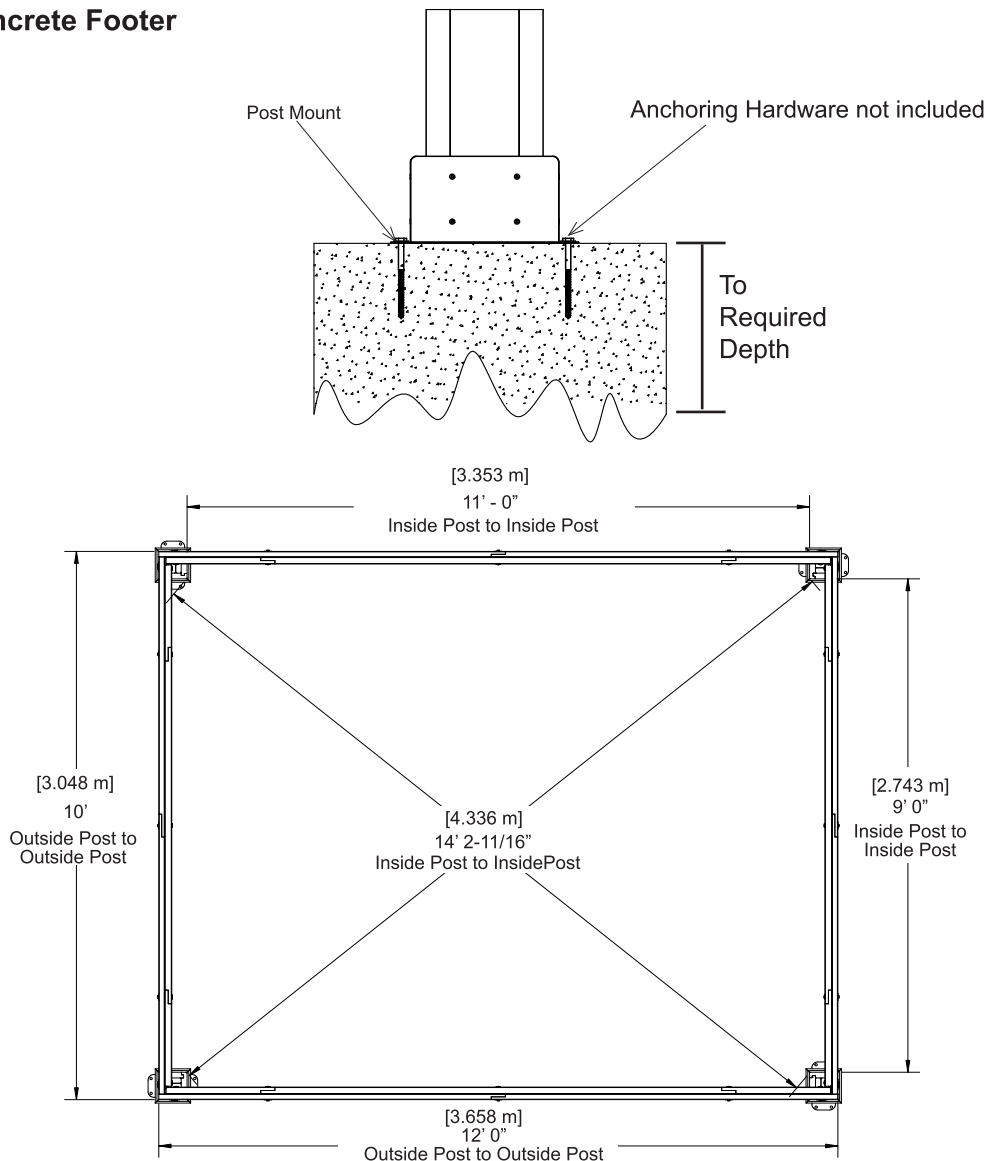
- The hardware to attach the Post Mount to the structure is included.
- The hardware to mount the structure permanently will need to be purchased separately at your local hardware store.

If you are mounting to concrete footers see below for the correct locations and placement. Please double check for possibility of any underground utilities such as gas, telephone, cable or sprinkler lines.

Following are some examples of how to mount the structure to wood or concrete surfaces.

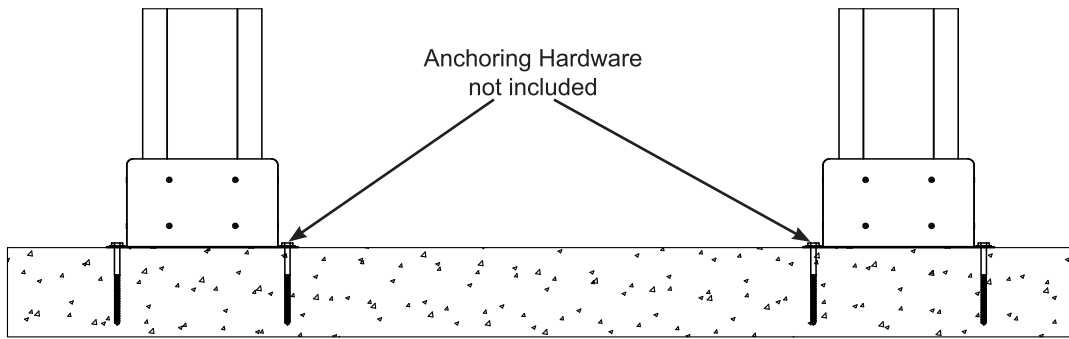
Refer to your local building and city codes, ordinances, neighbourhood covenants, or height restrictions regarding this type of structure for guidance on acceptable installation requirements.

Concrete Footer

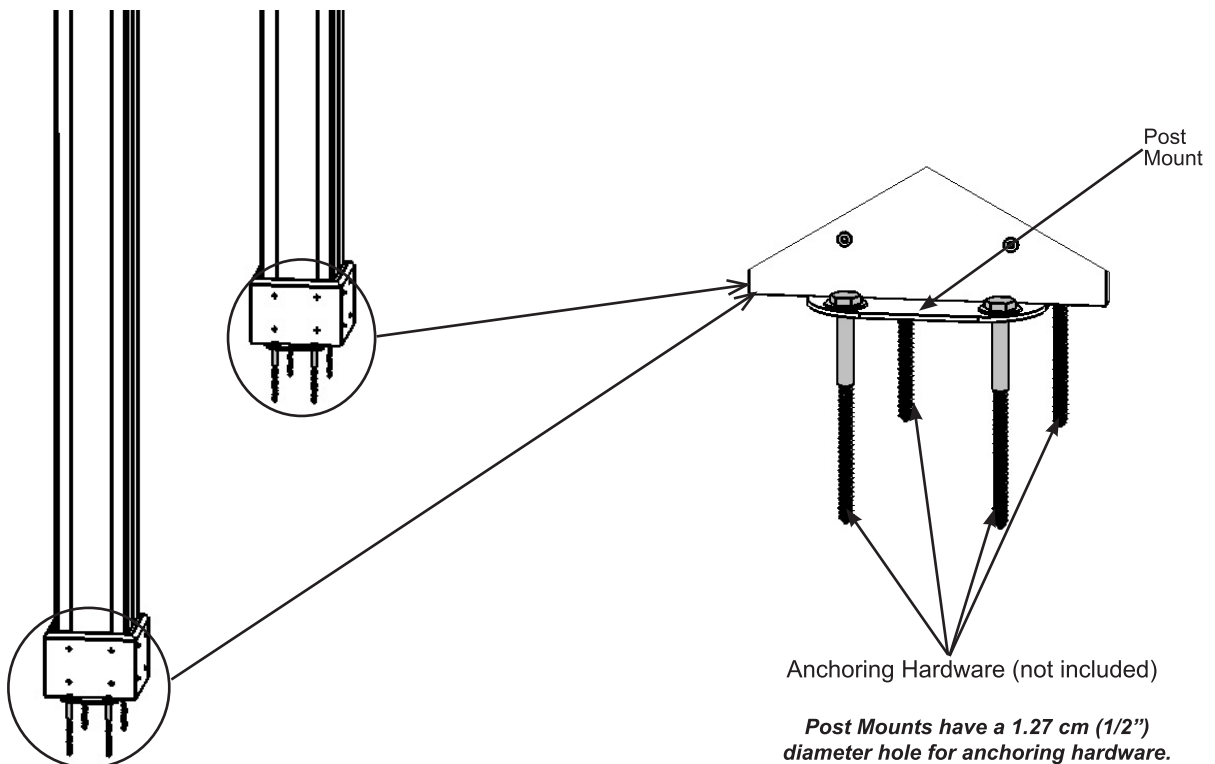
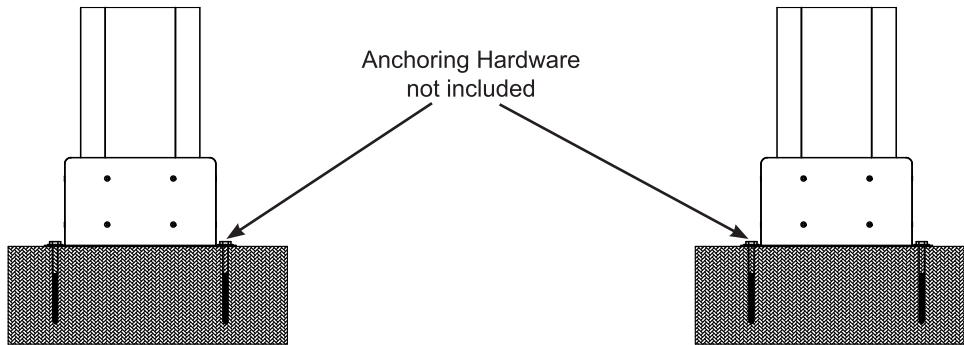


Permanent Installation Examples cont.

Concrete Patio [min. 3.353 m x 3.962 m (11' x 13')] with 15.24 cm (6") clearance on all sides



Wood Deck [min. 3.353 m x 3.962 m (11' x 13')] with 15.24 cm (6") clearance on all sides

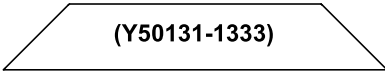


Part Identification (Dimensions are approximate and are shown to assist in the identification of parts for assembly. Actual dimensions may be smaller or larger.)

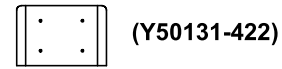
4pc. (1334) - Post 2273.3mm (89 1/2")



8pc. (1333) - Gusset 812.8mm (32")



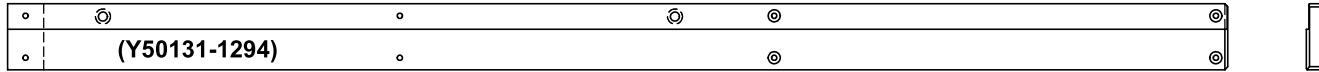
16pc. (422) - Plinth 190.5mm (7 1/2")



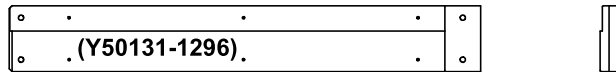
1pc. (1293) - Middle Long Beam A 2587.6mm (101 7/8")



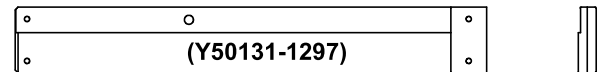
1pc. (1294) - Middle Long Beam 2587.6mm (101 7/8")



1pc. (1296) - Middle Short Beam A 1000.2mm (39 3/8")



1pc. (1297) - Middle Short Beam 1000.2mm (39 3/8")



2pc. (1295) - Middle Beam Center 1793.9mm (70 5/8")



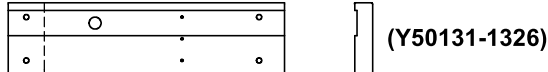
2pc. (1324) - Long Beam RT 1866.9mm (73 1/2")



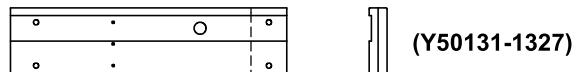
2pc. (1325) - Long Beam LT 1866.9mm (73 1/2")



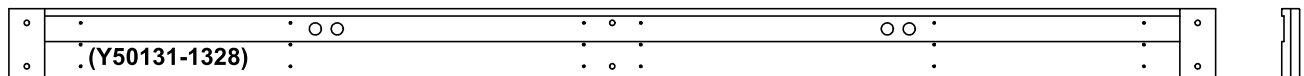
2pc. (1326) - Right Long Beam 585.9mm (23 1/16")



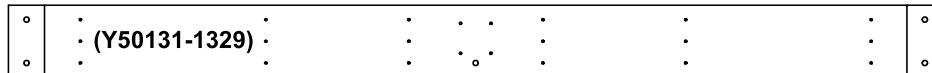
2pc. (1327) - Left Long Beam 585.9mm (23 1/16")



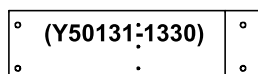
2pc. (1328) - Long Beam Center 2559.1mm (100 3/4")



2pc. (1329) - Short Center Beam 1981.5mm (78")



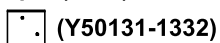
4pc. (1330) - Short End Side Beam 535mm (21 1/16")



4pc. (1331) - Short Side Beam 1555.8mm (61 1/4")

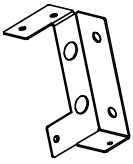
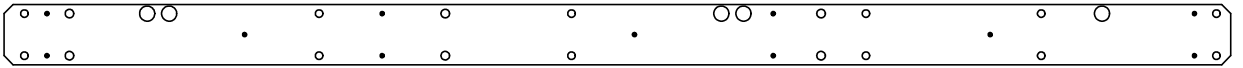


2pc. (1332) - Post Block 79.3mm (3 1/8")

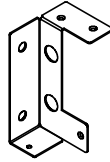


Part Identification (Dimensions are approximate and are shown to assist in the identification of parts for assembly. Actual dimensions may be smaller or larger.)

2pc. MID Beam Insert - (Y00429-487)



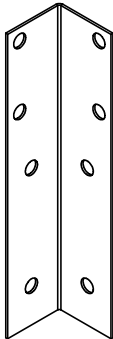
1pc. Right Centre Beam Bracket Set (Y70819-540) (2PK)



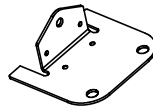
1pc. Left Centre Beam Bracket Set (Y70819-539) (2PK)



1pc. Downspout Strap (Y70840-531) (6PK)



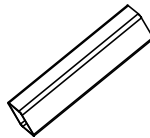
1pc. Post Beam Bracket (Y70819-541) (4PK)



1pc. Post Mount Set (Y70819-109) (8PK)



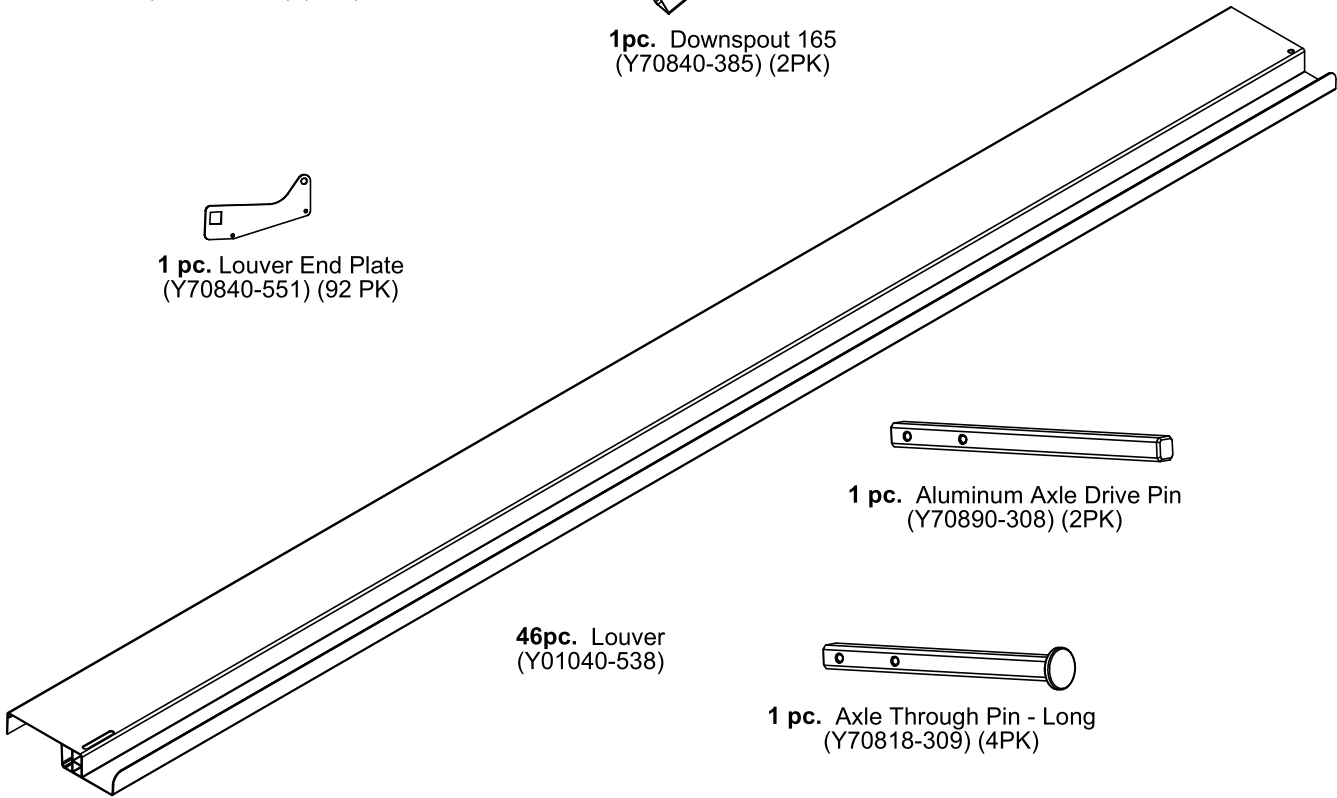
1pc. Downspout Bottom Elbow (Y70840-532) (2PK)



1pc. Downspout 165 (Y70840-385) (2PK)



1 pc. Louver End Plate (Y70840-551) (92 PK)

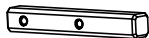


1 pc. Aluminum Axle Drive Pin (Y70890-308) (2PK)

46pc. Louver (Y01040-538)



1 pc. Axle Through Pin - Long (Y70818-309) (4PK)



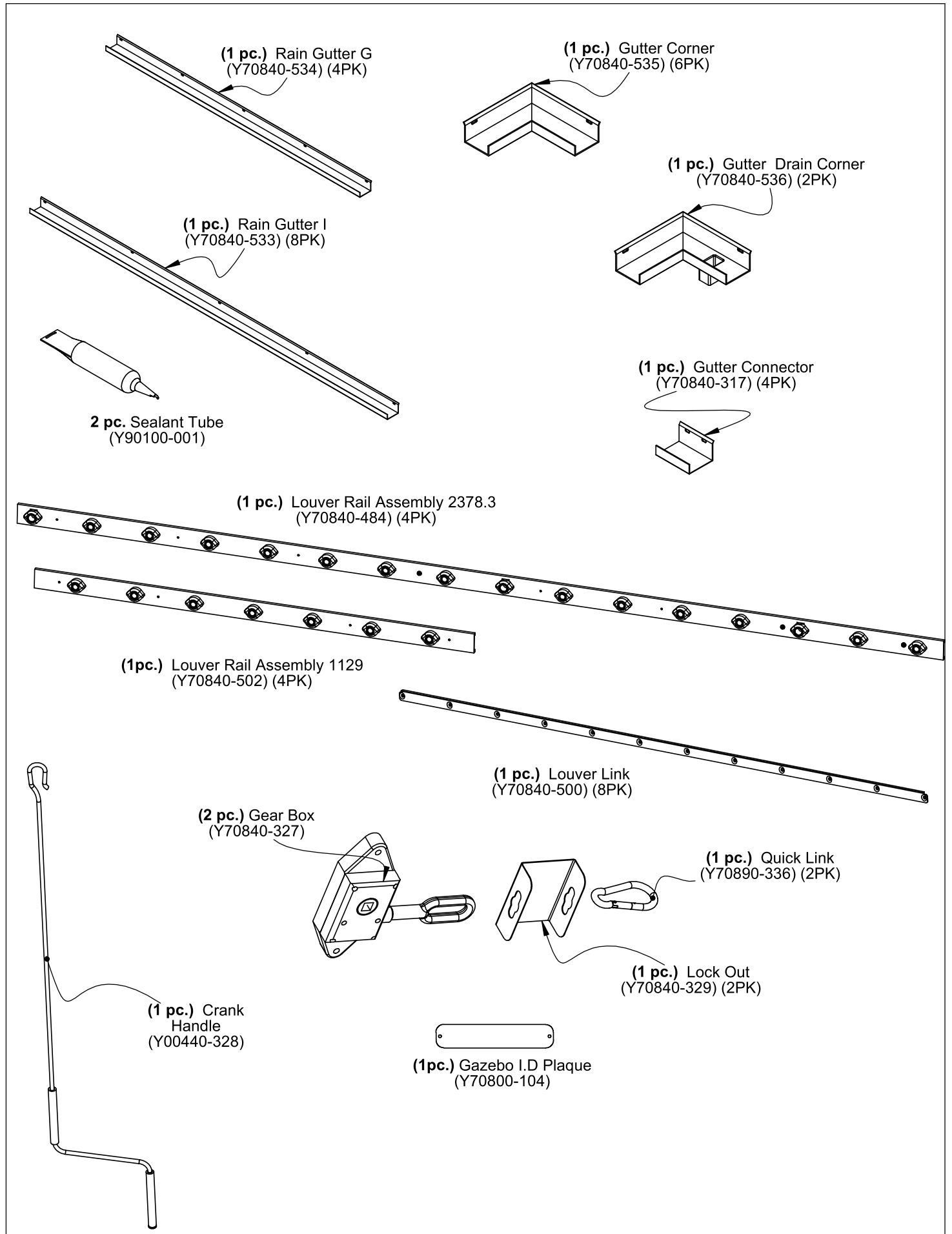
1 pc. Aluminum Axle Standard Pin (Y70890-550) (80PK)



1 pc. Axle Through Pin - Short (Y70890-310) (6PK)

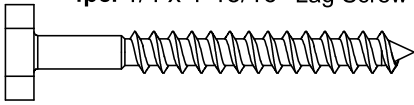
1pc. Downspout 1935 (Y70840-530) (2PK)

Part Identification (Dimensions are approximate and are shown to assist in the identification of parts for assembly. Actual dimensions may be smaller or larger.)

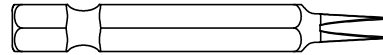


Hardware Identification (Dimensions are approximate and are shown to assist in the identification of parts for assembly. Actual dimensions may be smaller or larger.)

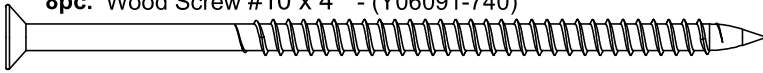
4pc. 1/4 x 1-15/16" Lag Screw No.12 Shank - (Y06040-219)



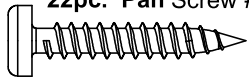
1pc. #2 x 2" Robertson Driver (Y00400-005)



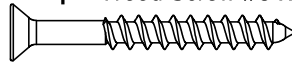
8pc. Wood Screw #10 x 4" - (Y06091-740)



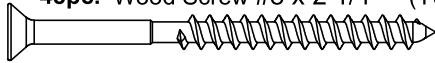
22pc. Pan Screw #10 x 1-1/4" - (Y06491-711)



92pc. Wood Screw #8 x 1-1/2" (Y06091-512)



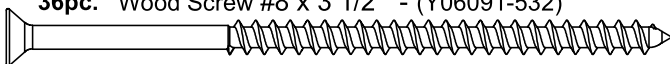
48pc. Wood Screw #8 x 2 1/4" - (Y06091-521)



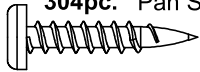
52pc. Wood Screw #8 x 2 1/2" - (Y06091-522)



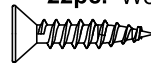
36pc. Wood Screw #8 x 3 1/2" - (Y06091-532)



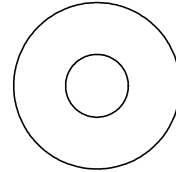
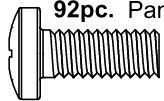
304pc. Pan Screw #8 x 1" (Y06440-510)



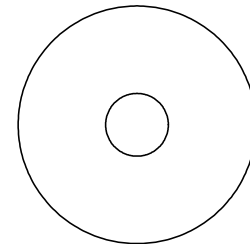
22pc. Wood Screw #7 x 3/4" (Y06091-003)



92pc. Pan Bolt 1/4 x 5/8" (Y07440-208)



26pc. 5/16" Flat Washer (Y05118-203) - Black
4pc. 5/16" Flat Washer (Y05140-203) - Light Grey

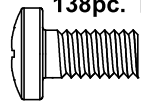


78pc. 1/4-5/16 x 1-1/4" Large Washer (Y05118-311)

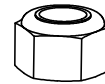
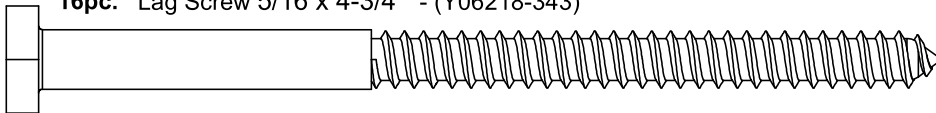


1pc. - 1/8" Drill Bit (Y00400-002)

138pc. Pan Bolt 1/4 x 1/2" (Y07440-202)

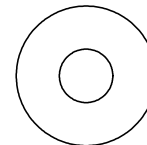
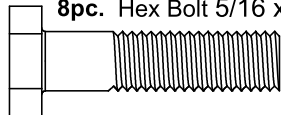


16pc. Lag Screw 5/16 x 4-3/4" - (Y06218-343)



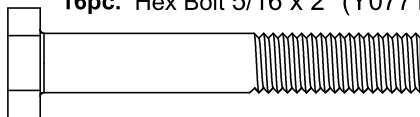
16pc. - 5/16" Lock Nut (Y08318-303)

8pc. Hex Bolt 5/16 x 1-1/4" - (Y07718-311)



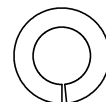
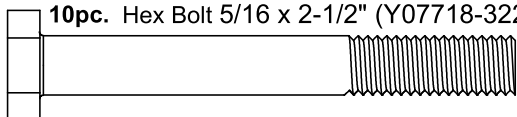
92pc. 1/4" Nylon Washer (Y05940-204)

16pc. Hex Bolt 5/16 x 2" (Y07718-320)

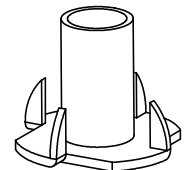


92pc. - 1/4" Lock Nut (Y08340-203)

10pc. Hex Bolt 5/16 x 2-1/2" (Y07718-322)

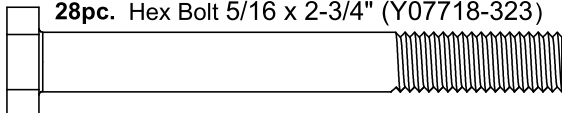


56pc. 5/16" Lock Washer (Y05318-300)

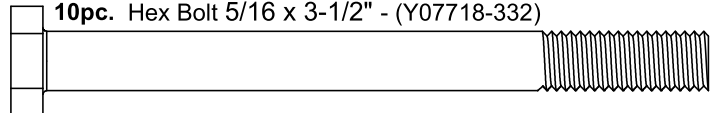


56pc. 5/16 - T-Nut (Y08518-300)

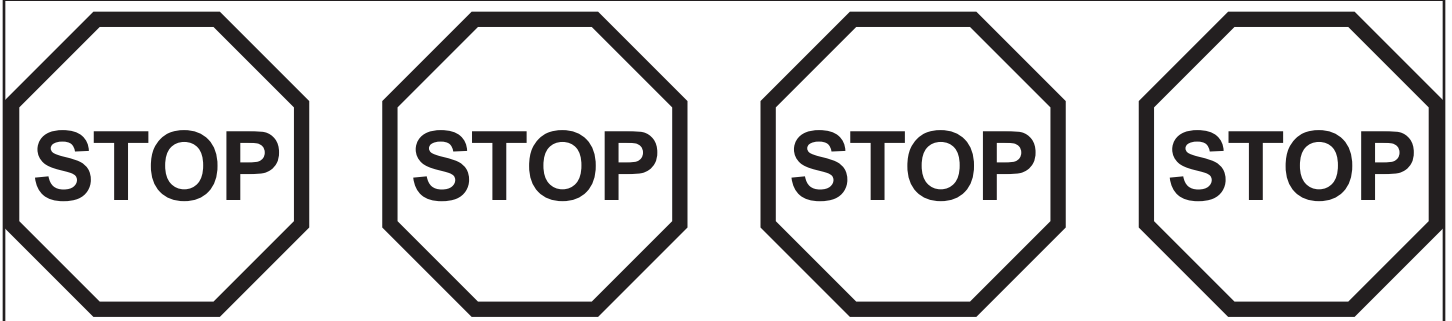
28pc. Hex Bolt 5/16 x 2-3/4" (Y07718-323)



10pc. Hex Bolt 5/16 x 3-1/2" - (Y07718-332)



Step 1: Inventory Parts - Read This Before Starting Assembly



- A.** This is the time for you to inventory all your hardware, wood and accessories, referencing the parts identification sheets. This will assist you with your assembly.
- Each step indicates which bolts and/or screws you will need for assembly, as well as any flat washers, lock washers, t-nuts or lock nuts.
- B.** If there are any missing or damaged pieces or you need assistance with assembly please contact the consumer relations department directly. Call us before going back to the store.

1-888-509-4382
support@yardistrystructures.com

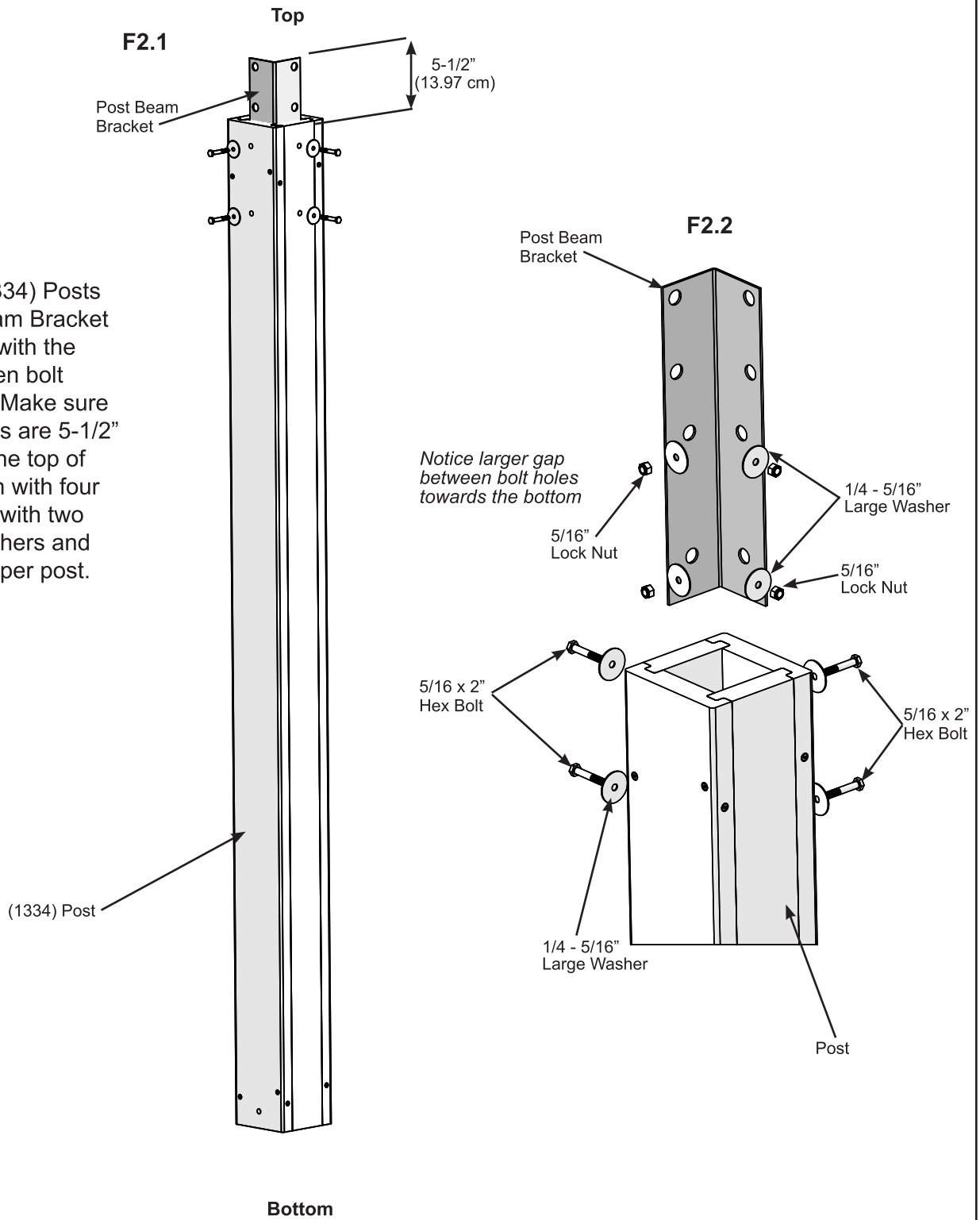
- C.** Read the assembly manual completely, paying special attention to ANSI warnings; notes; and safety/maintenance information on pages 1 - 4.
- Follow the instructions in order.
 - This structure is designed to be assembled and installed ideally by four people, DO NOT attempt to install alone.
 - Consider the slope of elevation where you plan to install the structure. Also, check for gas, telephone, other utilities or sprinkler line locations prior to excavating any holes.
- D.** Before you discard your cartons fill out the form below.
- The carton I.D. stamp is located on the end of each carton.
 - Please retain this information for future reference. You will need this information if you contact the Consumer Relations Department.

PRODUCT NUMBER: YM11832

| |
|--|
| CARTON I.D. STAMP: __ __ __ __ __ __ (Box 1) |
| CARTON I.D. STAMP: __ __ __ __ __ __ (Box 2) |
| CARTON I.D. STAMP: __ __ __ __ __ __ (Box 3) |
| CARTON I.D. STAMP: __ __ __ __ __ __ (Box 4) |

Step 2: Post Assemblies

Part 1



A: At the top of (1334) Posts insert one Post Beam Bracket per post. The end with the wider space between bolt holes faces down. Make sure Post Beam Brackets are 5-1/2" (13.97 cm) above the top of the post then attach with four 5/16 x 2" Hex Bolt (with two 1/4-5/16" large washers and one 5/16" lock nut) per post. (F2.1 and F2.2)

Wood Parts

4 x (1334) Post

Components

4 x Post Beam Bracket

Hardware

16 x 5/16 x 2" Hex Bolt
(1/4-5/16" large washer x 2, 5/16" lock nut)

Step 2: Post Assemblies

Part 2

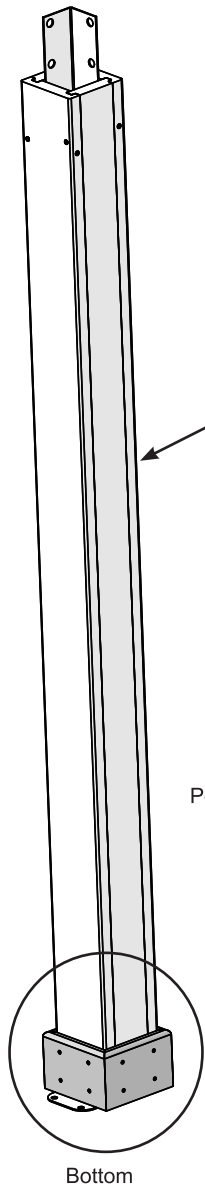
A: At the bottom of each (1334) Post insert two 5/16" T-Nuts. (F2.3 and F2.4)

B: At the bottom of each (1334) Post place two Post Mounts tight to the bottom and inside faces. Loosely attach with one 5/16 x 1-1/4" Hex Bolt (with 5/16" lock washer and 1/4-5/16" large washer) per mount so they connect to the T-Nuts. (F2.3 and F2.4)

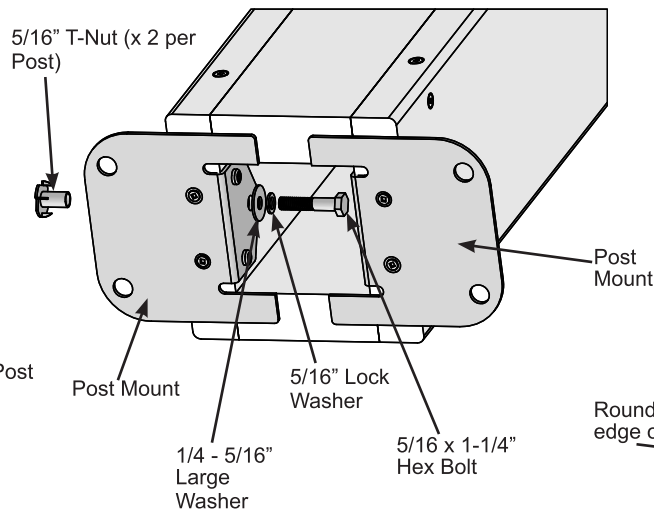
C: From the bottom of each Post Mount attach to posts with two #8 x 1-1/2" Wood Screws per mount and then from the inside with two #10 x 1-1/4" Pan Screws per mount These screws are installed at a slight angle. Tighten all bolts. (F2.5)

D: On each side of the Posts, place one (422) Plinth flush to the bottom and attach with four #8 x 1-1/2" Wood Screws per plinth. Rounded edges on top. There will be four Post Assemblies. (F2.3 and F2.6)

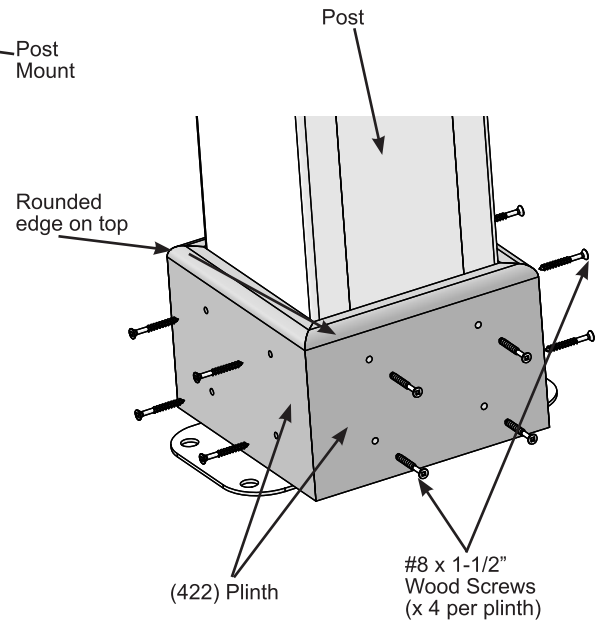
F2.3



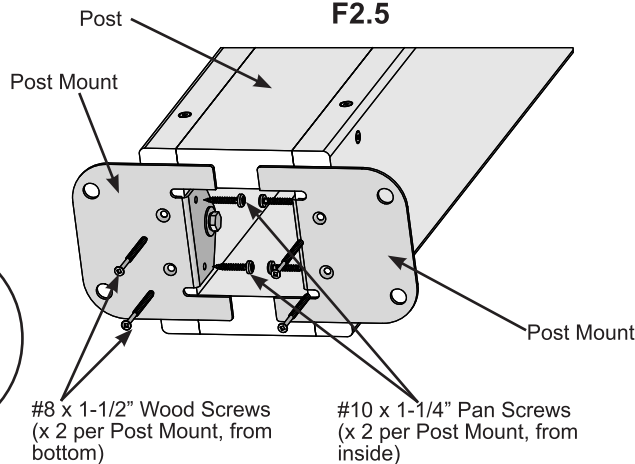
F2.4



F2.6



F2.5



Wood Parts

16 x (422) Plinth

Components

8 x Post Mount

Hardware

16 x #10 x 1-1/4" Pan Screw

80 x #8 x 1-1/2" Wood Screw

8 x 5/16" T-Nut

8 x 5/16 - 1-1/4" Hex Bolt

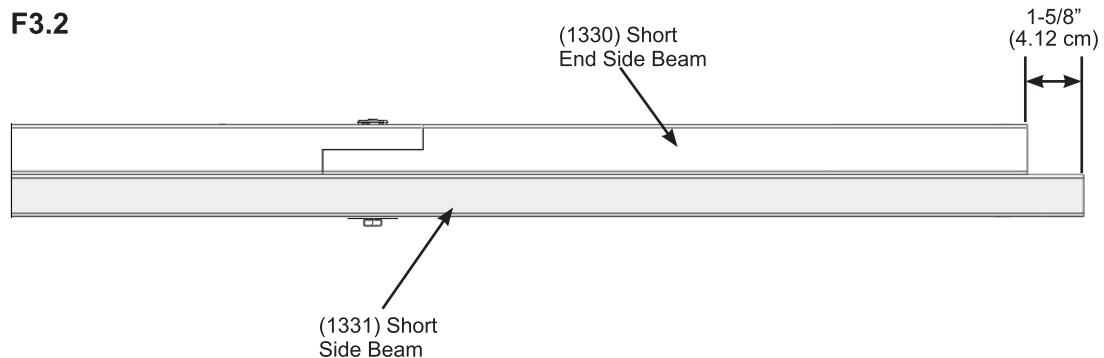
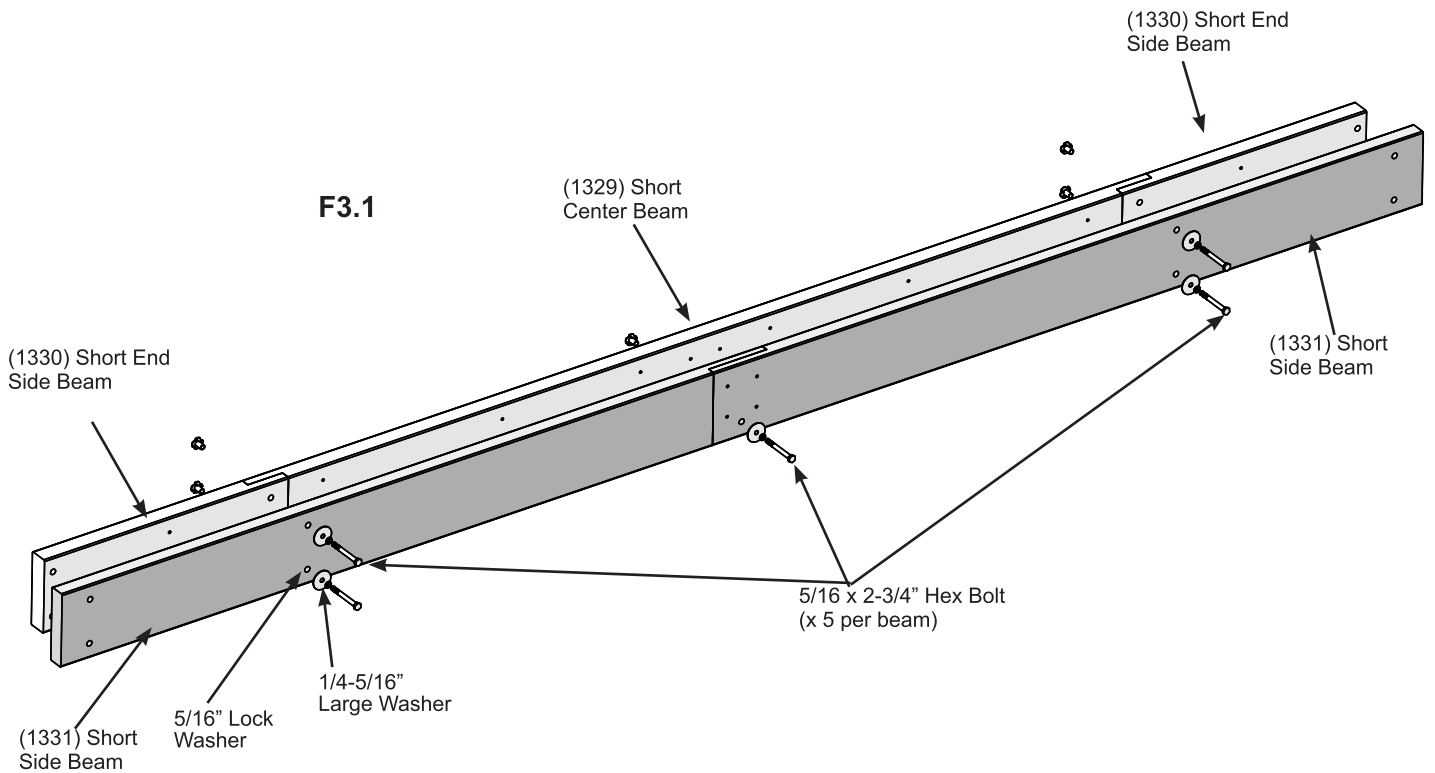
(with 5/16" lock washer, 1/4-5/16" large washer)

Step 3: Short Beam Assembly Part 1



A: Place one (1330) Short End Side Beam on each end of (1329) Short Center Beam. Place two (1331) Short Side Beams so the lap joints fit tight in the center. Make sure the bolt holes line up and loosely attach with five $5/16"$ x $2-3/4"$ Hex Bolts (with $5/16"$ lock washer and $1/4-5/16"$ large washer). (F3.1)

B: Make sure both (1331) Short Side Beams overhang the (1330) Short End Side Beams by $1-5/8"$ (4.12 cm) and tighten all bolts. (F3.2)



Wood Parts

- 2 x (1329) Short Center Beam
- 4 x (1330) Short End Side Beam
- 4 x (1331) Short Side Beam

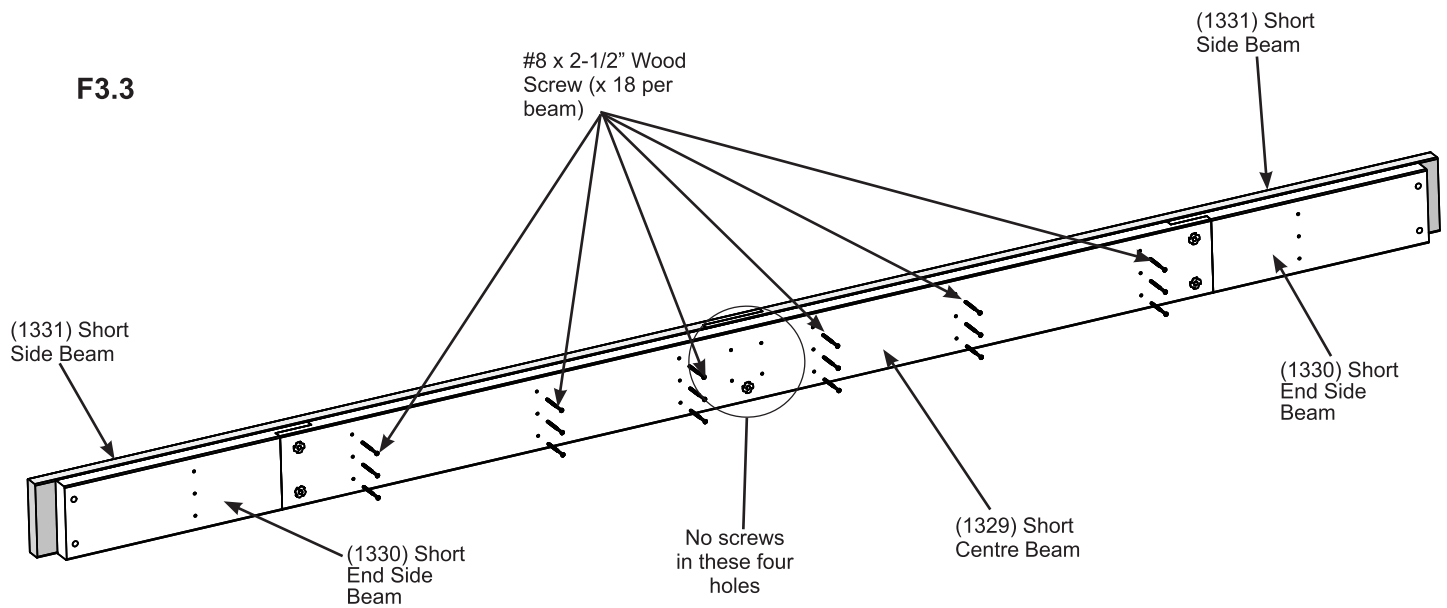
Hardware

- 10 x $5/16$ x $2-3/4$ " Hex Bolt
($5/16$ " lock washer, $1/4-5/16$ " large washer, $5/16$ " T-Nut)

Step 3: Short Beam Assembly Part 2

C: Flip the assembly over so the t-nuts face up then fasten assembly with 18 #8 x 2-1/2" Wood Screws through (1329) Short Centre Beam only. Do not install screws in the four centre pilot holes. (F3.3)

D: Repeat Steps A - C to make a second Short Beam Assembly.



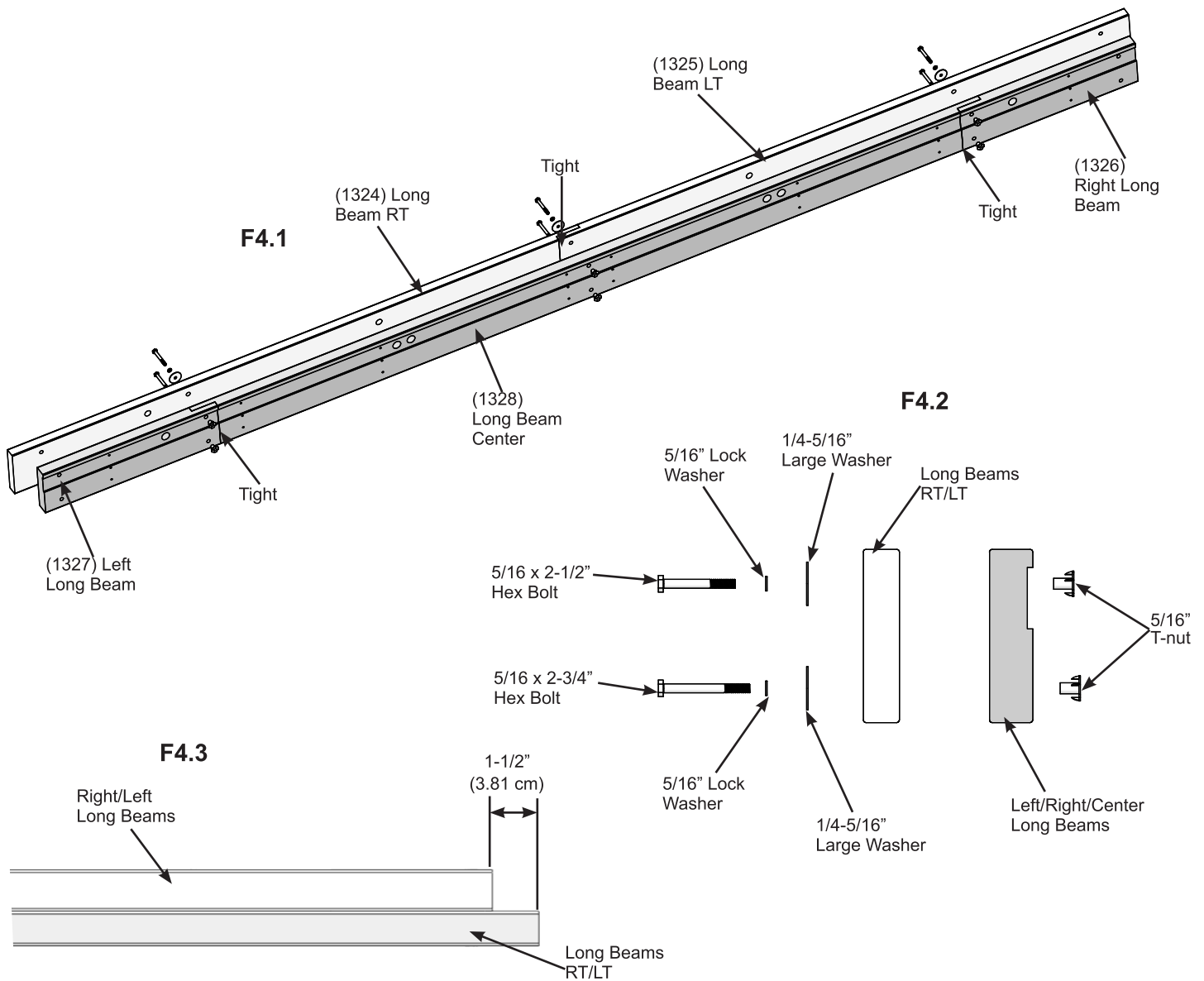
Hardware

36 x #8 x 2-1/2" Wood Screw

Step 4: Long Beam A Assembly



- A:** Place (1324) Long Beam RT on the left side of (1325) Long Beam LT so the lap joints are tight. (F4.1)
- B:** Place (1327) Left Long Beam on the left side and (1326) Right Long Beam on the right side of (1328) Long Beam Center so the lap joints are tight. (F4.1)
- C:** Align bolt holes and loosely attach with three 5/16 x 2-3/4" Hex Bolts (with 5/16" lock washer and 1/4-5/16" large washer) in the bottom holes and three 5/16 x 2-1/2" Hex Bolts (with 5/16" lock washer and 1/4-5/16" large washer) in the top holes. (F4.1 and F4.2)
- D:** Ensure (1325) Long Beam RT and (1324) Long Beam LT overhangs (1327) Left Long Beam and (1326) Right Long Beam by 1-1/2" (3.81 cm) then tighten the bolts. (F4.1 and F4.3)



Wood Parts

- 1 x (1324) Long Beam RT
- 1 x (1325) Long Beam LT
- 1 x (1326) Right Long Beam
- 1 x (1327) Left Long Beam
- 1 x (1328) Long Beam Center

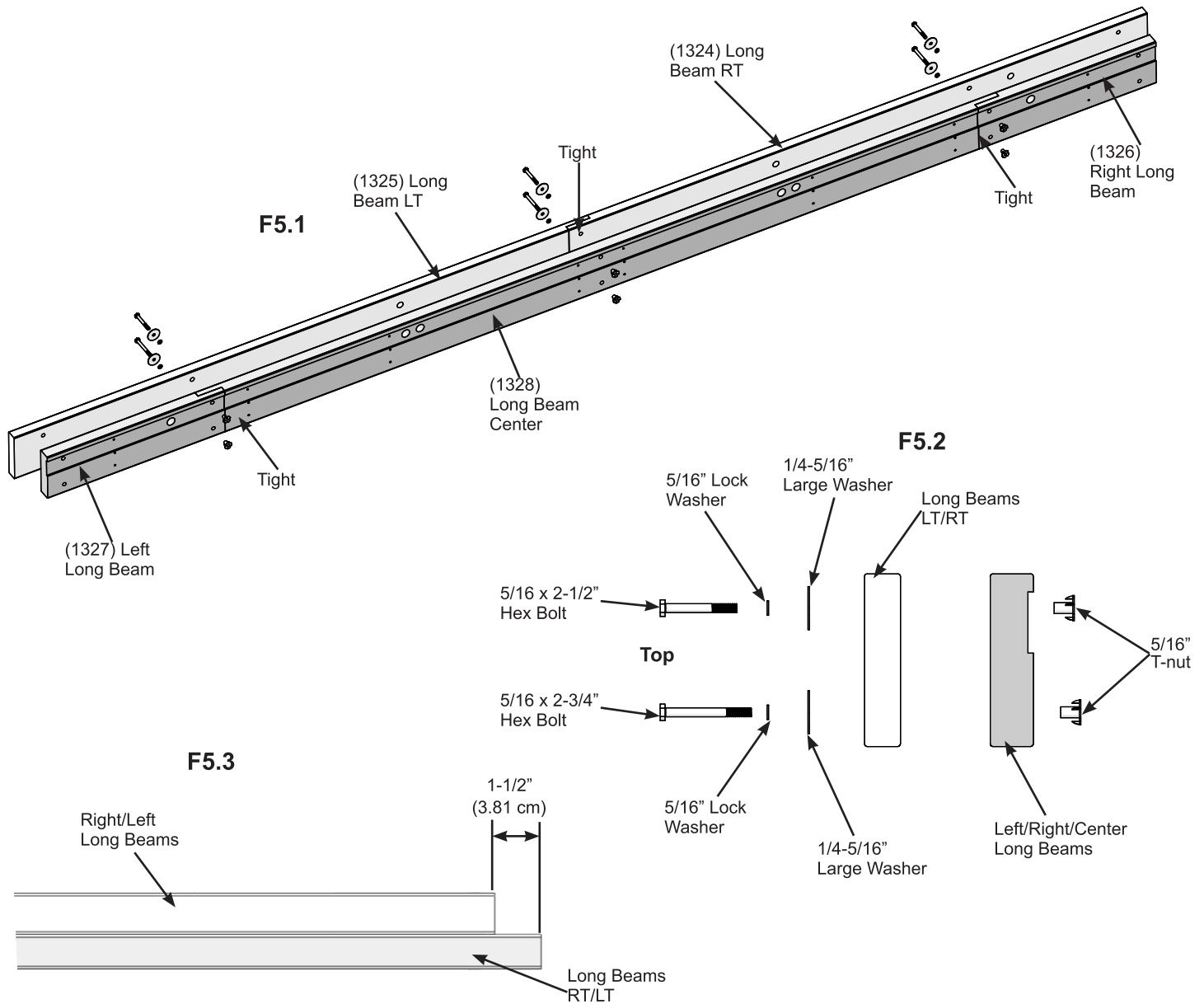
Hardware

- 3 x 5/16 x 2-1/2" Hex Bolt (5/16" lock washer, 1/4-5/16" large washer, 5/16" t-nuts)
- 3 x 5/16 x 2-3/4" Hex Bolt (5/16" lock washer, 1/4-5/16" large washer, 5/16" t-nuts)

Step 5: Long Beam B Assembly



- A:** Place (1325) Long Beam LT on the left side of (1324) Long Beam RT so the lap joints are tight. (F5.1)
- B:** Place (1327) Left Long Beam on the left side and (1326) Right Long Beam on the right side of (1328) Long Beam Center so the lap joints are tight. (F5.1)
- C:** Align the holes and loosely attach with three 5/16 x 2-3/4" Hex Bolts (with 5/16" lock washer and 1/4-5/16" large washer) in the bottom holes and three 5/16 x 2-1/2" Hex Bolts (with 5/16" lock washer and 1/4-5/16" large washer) in the top holes. (F5.1 and F5.2)
- D:** Make sure (1325) Long Beam RT and (1324) Long Beam LT overhangs (1327) Left Long Beam and (1326) Right Long Beam by 1-1/2" (3.81 cm) then tighten the bolts. (F5.1 and F5.3)



Wood Parts

- 1 x (1324) Long Beam RT
- 1 x (1325) Long Beam LT
- 1 x (1326) Right Long Beam
- 1 x (1327) Left Long Beam
- 1 x (1328) Long Beam Center

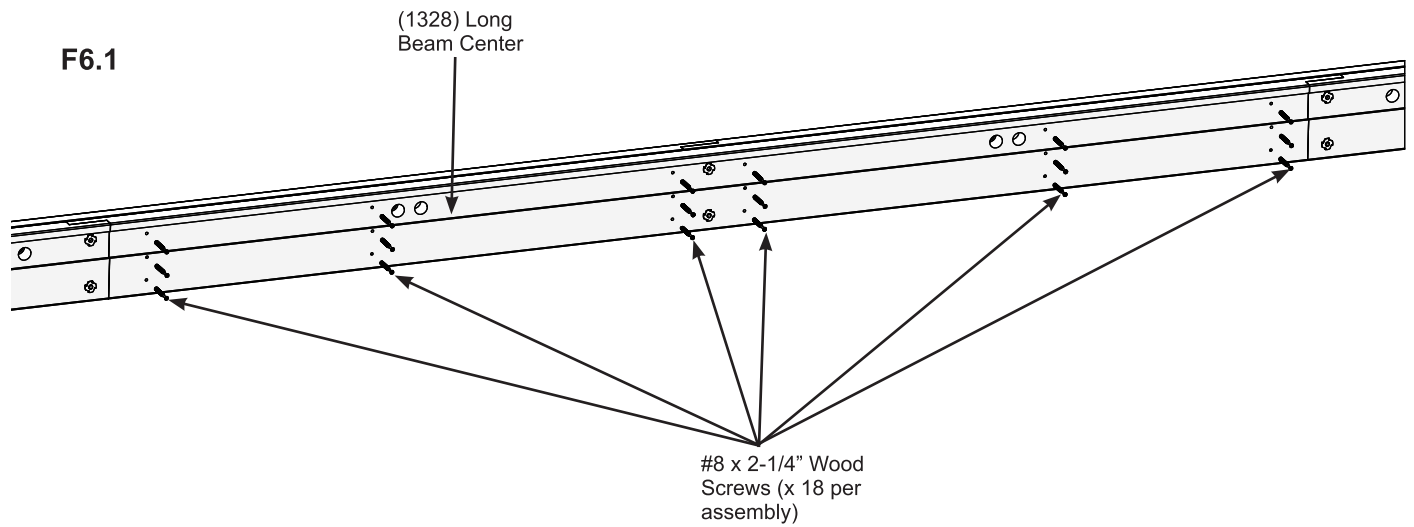
Hardware

- 3 x 5/16 x 2-1/2" Hex Bolt (5/16" lock washer, 1/4-5/16" large washer, 5/16" t-nuts)
- 3 x 5/16 x 2-3/4" Hex Bolt (5/16" lock washer, 1/4-5/16" large washer, 5/16" t-nuts)

Step 6: Long Beam A & B Final Assembly

A: Flip Long Beam A Assembly over so the t-nuts face up then fasten assembly with 18 #8 x 2-1/4" Wood Screws through (1328) Long Beam Center only. (F6.1)

B: Flip Long Beam B Assembly over so the t-nuts face up then fasten assembly with 18 #8 x 2-1/4" Wood Screws through (1328) Long Beam Center only. (F6.1)

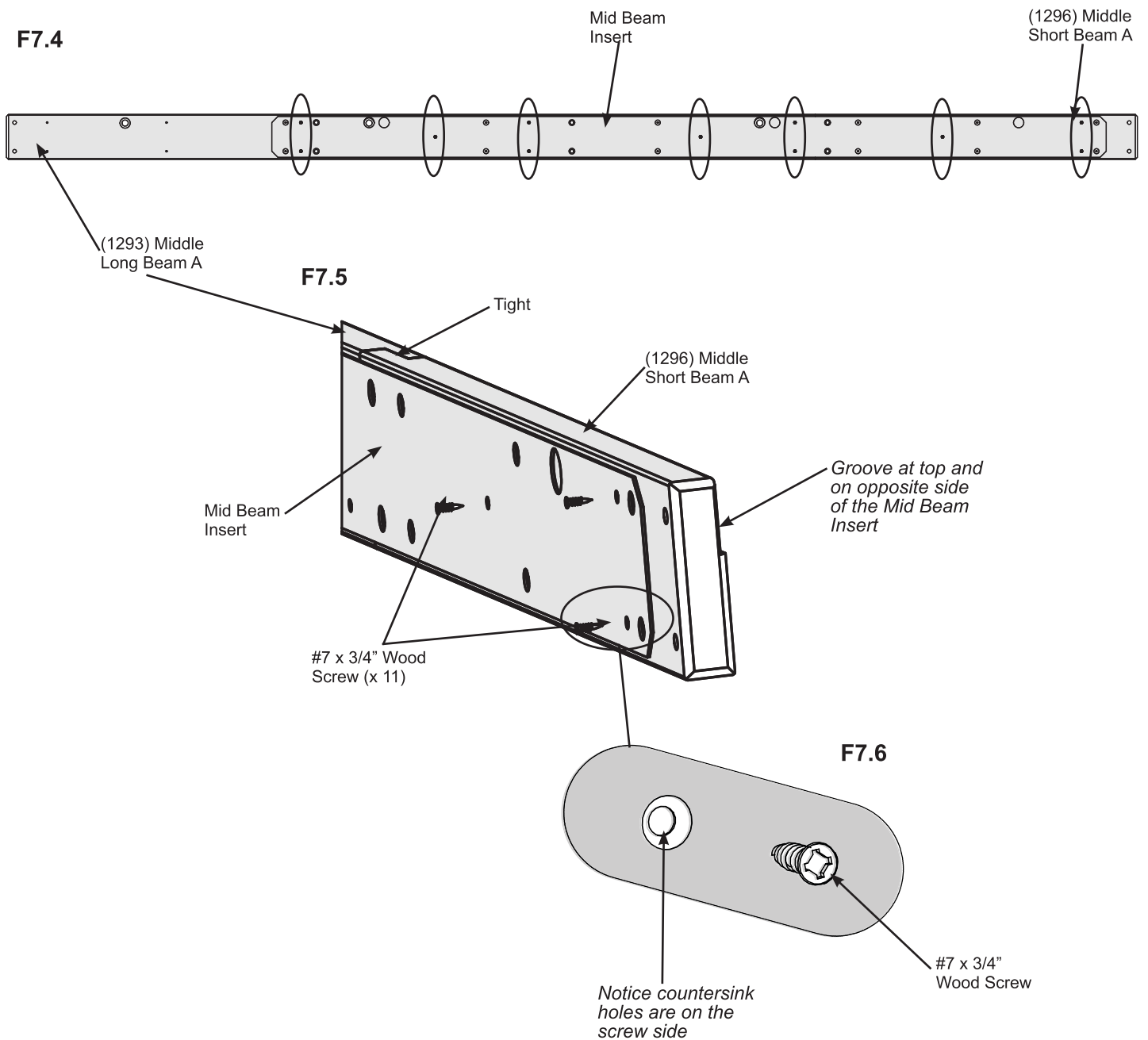


Hardware

36 x #8 x 2-1/4" Wood Screw

Step 7: Middle Beam Assembly Part 1

B: Connect (1293) Middle Long Beam A and (1296) Middle Short Beam A so the lap joints are tight and the groove is at the top. Place Mid Beam Insert on top of boards making sure the holes line up. The countersink holes in the Mid Beam Insert need to be up so the screw head sits flat along the surface after being installed. Attach Mid Beam Insert to (1293) Middle Long Beam A and (1296) Middle Short Beam A with eleven #7 x 3/4" Wood Screws. This will be the Middle Beam A Assembly (F7.4, F7.5 and F7.6)



Wood Parts

- 1 x (1293) Middle Long Beam A
- 1 x (1296) Middle Short Beam A

Components

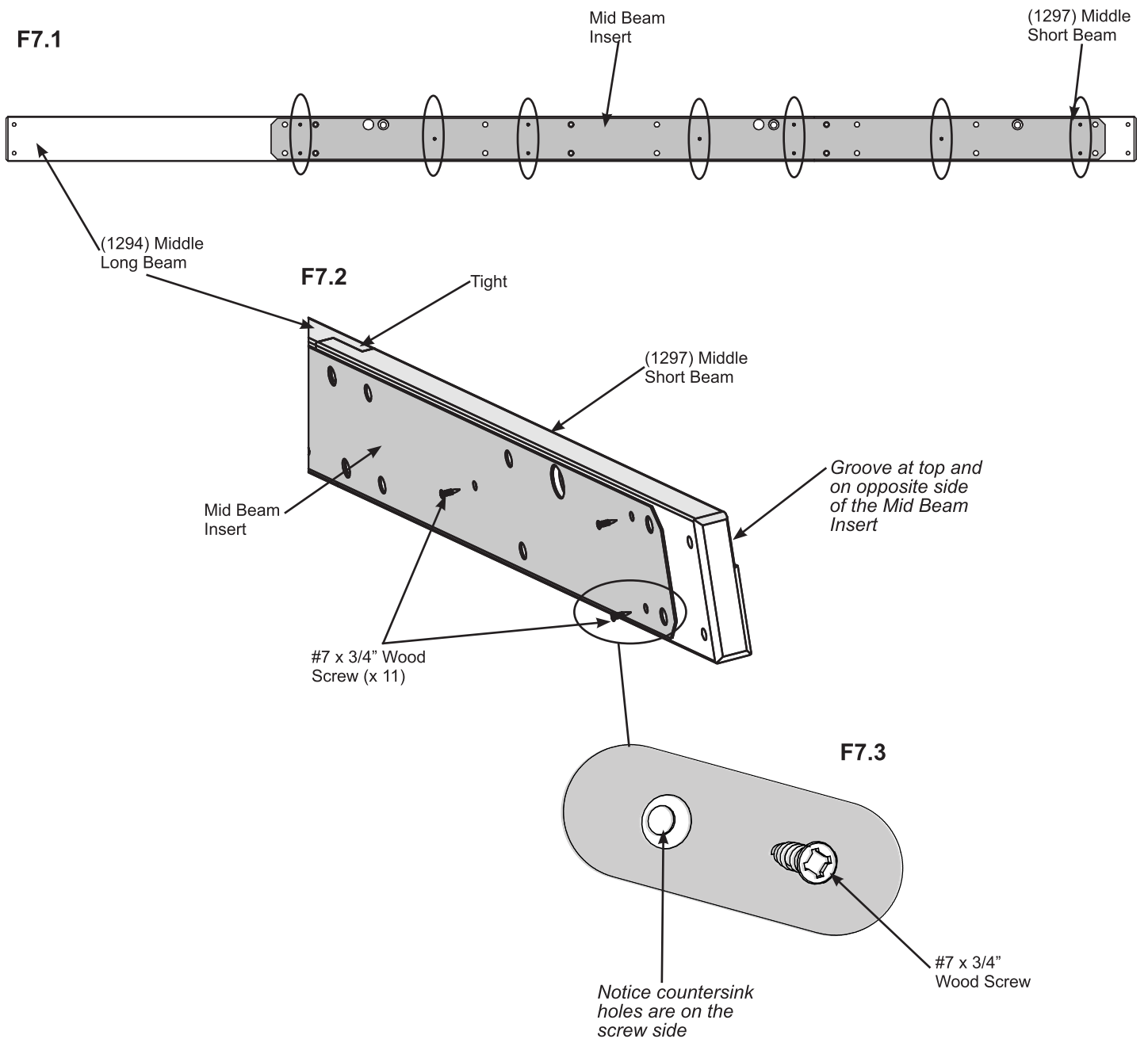
- 1 x Mid Beam Insert

Hardware

- 11 x #7 x 3/4" Wood Screw

Step 7: Middle Beam Assembly Part 2

A: Connect (1294) Middle Long Beam and (1297) Middle Short Beam so the lap joints are tight and the groove is at the top. Place Mid Beam Insert on top of boards making sure the holes line up. The countersink holes in the Mid Beam Insert need to be up so the screw head sits flat along the surface after being installed. Attach Mid Beam Insert to (1294) Middle Long Beam and (1297) Middle Short Beam with eleven #7 x 3/4" Wood Screws. This will be the Middle Beam B Assembly (F7.1, F7.2 and F7.3)



Wood Parts

- 1 x (1294) Middle Long Beam
- 1 x (1297) Middle Short Beam

Components

- 1 x Mid Beam Insert

Hardware

- 11 x #7 x 3/4" Wood Screw

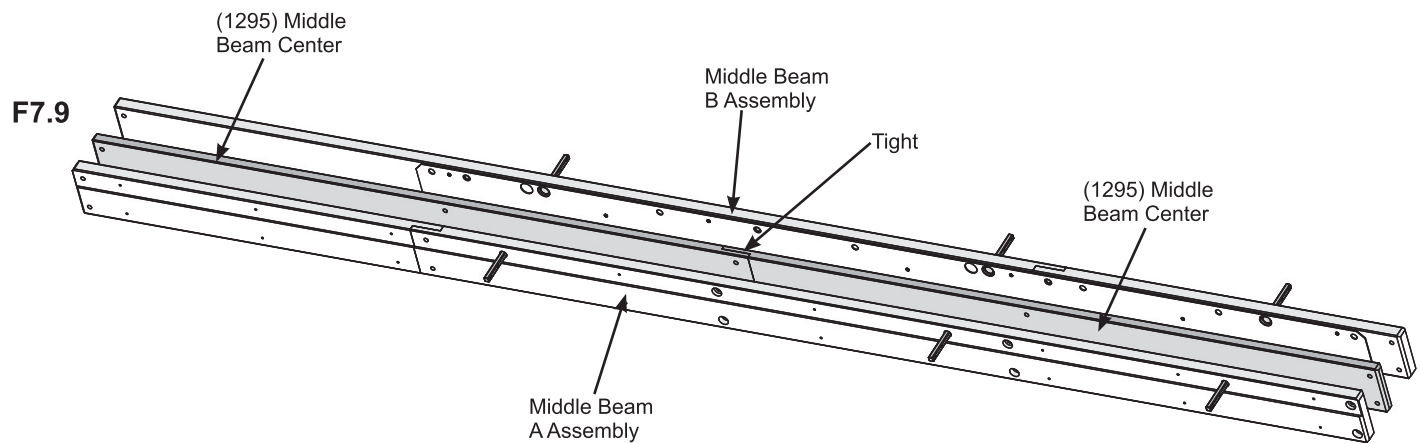
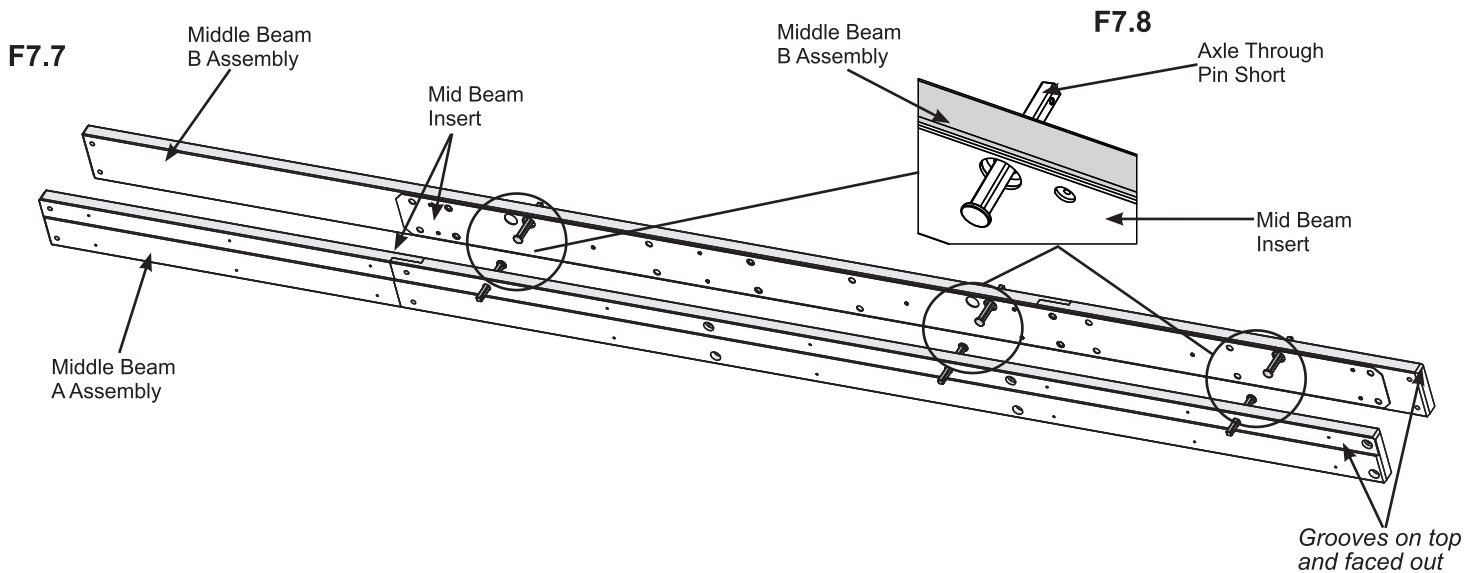
Step 7: Middle Beam Assembly

Part 3

C: Place Middle Beam A Assembly on edge then place Middle Beam B Assembly beside the assembly, with lap joints tight and grooves facing out. Mid Beam Inserts should be between boards. (F7.7)

D: Place three Axle Through Pin Short through each Middle Beam Assembly from the inside out. (F7.7, F7.8)

E: Place two (1295) Middle Beam Centers with lap joints tight in between Middle Beam A Assembly and Middle Beam B Assembly. (F7.9)



Wood Parts

2 x (1295) Middle Beam Center

Components

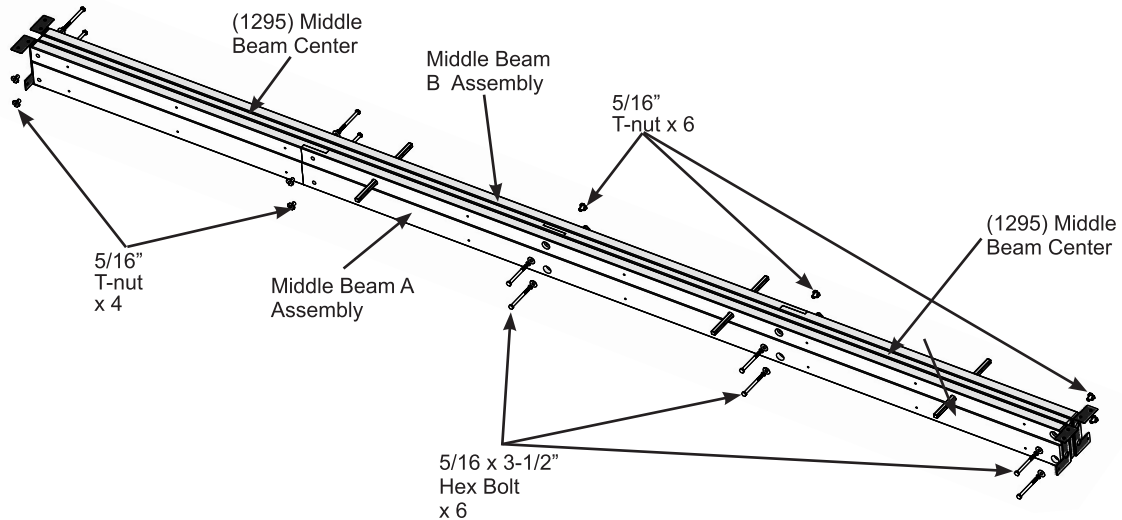
6 x Axle Through Pin Short

Step 7: Middle Beam Assembly Part 4

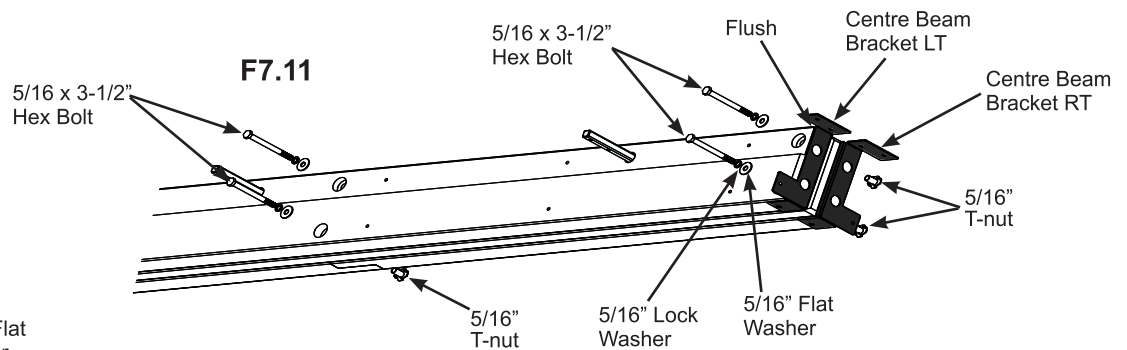
F: Install six 5/16 T-nuts into Middle Beam A Assembly. Install four 5/16 T-nuts into Middle Beam B Assembly. T-nuts are installed in the non-countersink holes. In the middle holes attach with six 5/16 x 3-1/2" Hex Bolts (with 5/16" lock washer and 5/16" flat washer), bolts installed in countersink holes and attaching to t-nuts. This assembly is the Middle Beam Assembly. (F7.10, F7.11 and F7.12)

G: At each end of the Middle Beam Assembly insert one Centre Beam Bracket LT and Center Beam Bracket RT. The bottom of the brackets to be flush to the bottom of the assembly. Attach with two 5/16 x 3-1/2" Hex Bolts (with 5/16" lock washer, 5/16" flat washer) at each end of Middle Beam Assembly. The bolts are installed in countersink holes. (F7.10, F7.11 and F7.12)

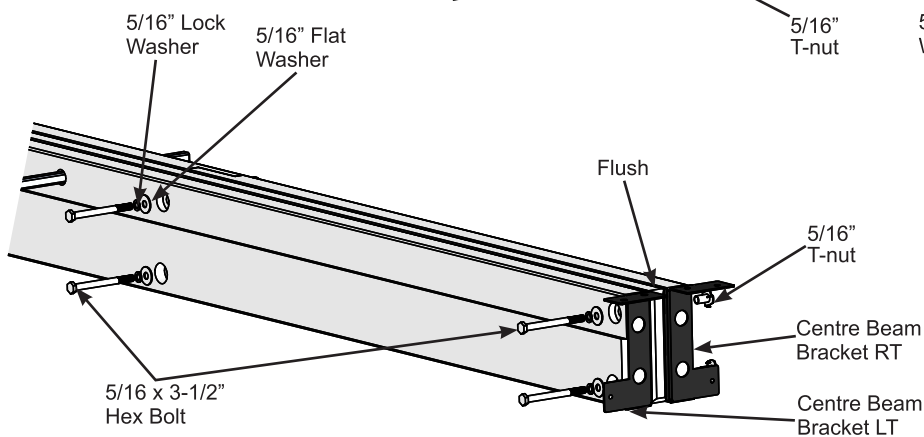
F7.10



F7.11



F7.12



Notice which side bolts and t-nuts are installed. Bolts installed through countersink holes.

Components

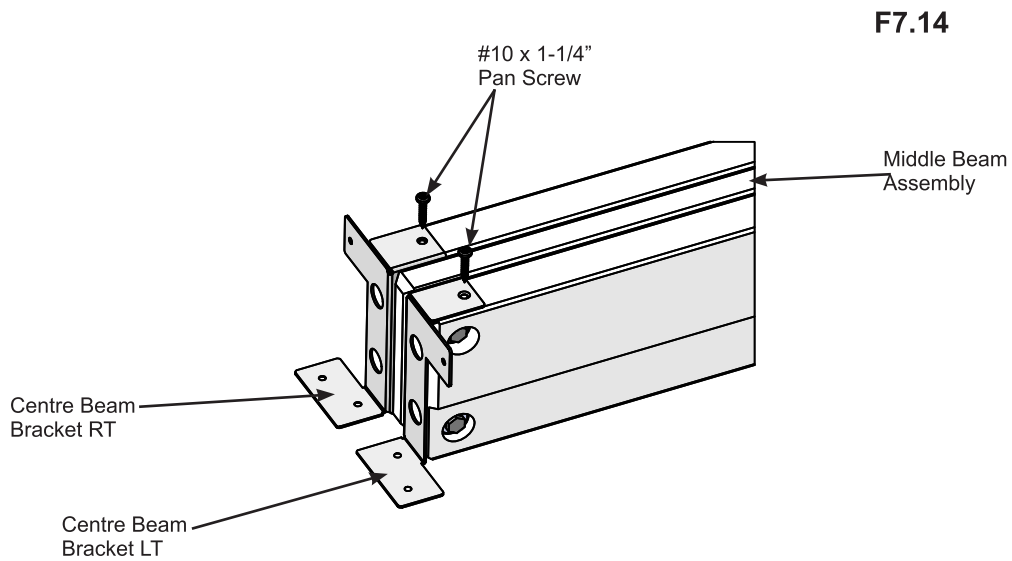
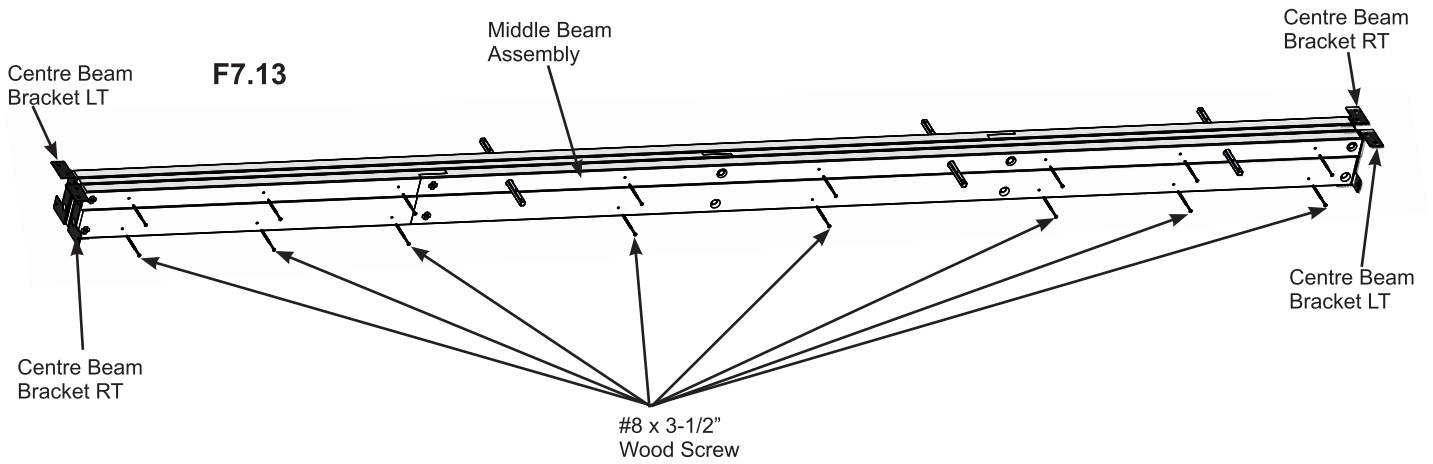
- 2 x Centre Beam Bracket RT
- 2 x Centre Beam Bracket LT

Hardware

- 10 x 5/16 x 3-1/2" Hex Bolt
- (5/16" lock washer, 5/16" flat washer, 5/16" t-nuts)

Step 7: Middle Beam Assembly Part 5

H: Secure Middle Beam Assembly with 16 #8 x 3-1/2" Wood Screws and each Centre Beam Bracket with one #10 x 1-1/4" Pan Screw as shown in F7.13 and F7.14.



Hardware

16 x #8 x 3-1/2" Wood Screw
4 x #10 x 1-1/4" Pan Screw

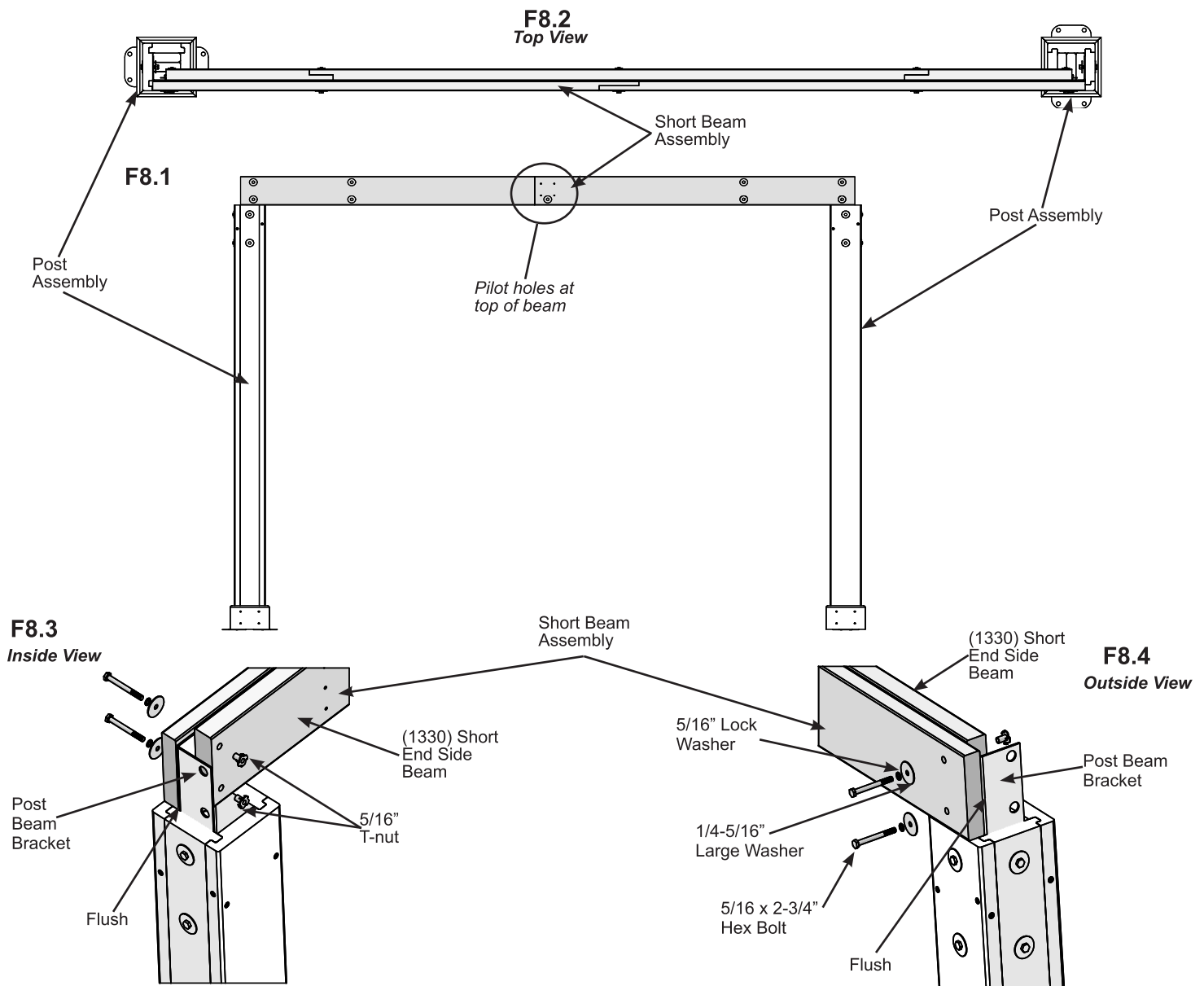
Step 8: Short Beam/Post Assembly Part 1



A: At each end of the the Short Beam Assembly, install two 5/16" T-nuts into the (1330) Short End Side Beams. (F8.3)

B: Slide Short Beam Assembly onto Post Beam Brackets with four middle pilot holes at top of beam and flush to the side of Post Beam Brackets. T-nuts face away from brackets and beam to be tight to top of posts. (F8.1, F8.2 and F8.3)

C: Make sure beam is square to posts then attach Short Beam Assembly to brackets with four 5/16 x 2-3/4" Hex Bolts (with 5/16" lock washer and 1/4-5/16" large washer). The bolts will connect to the previously installed t-nuts. (F8.1, F8.2 and F8.4)



Hardware

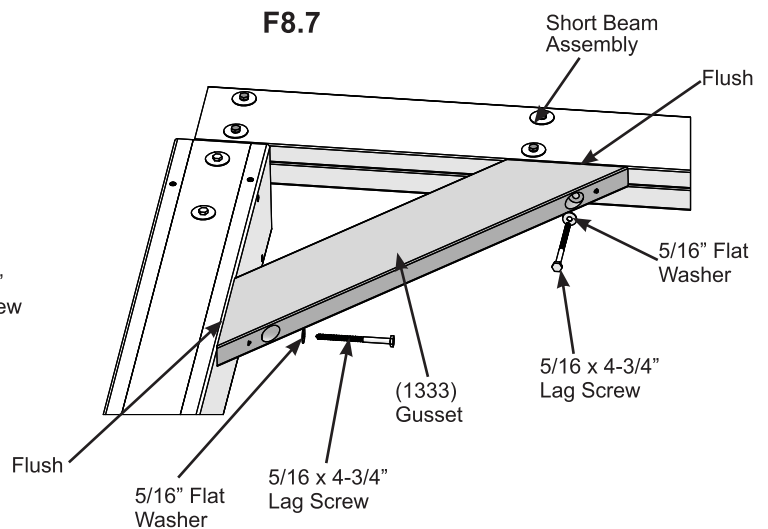
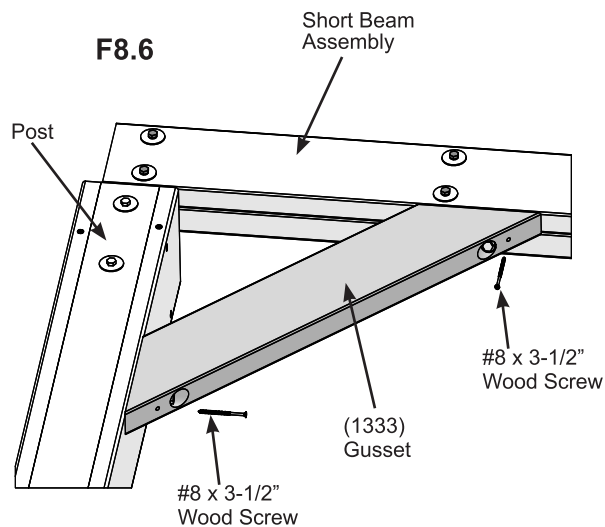
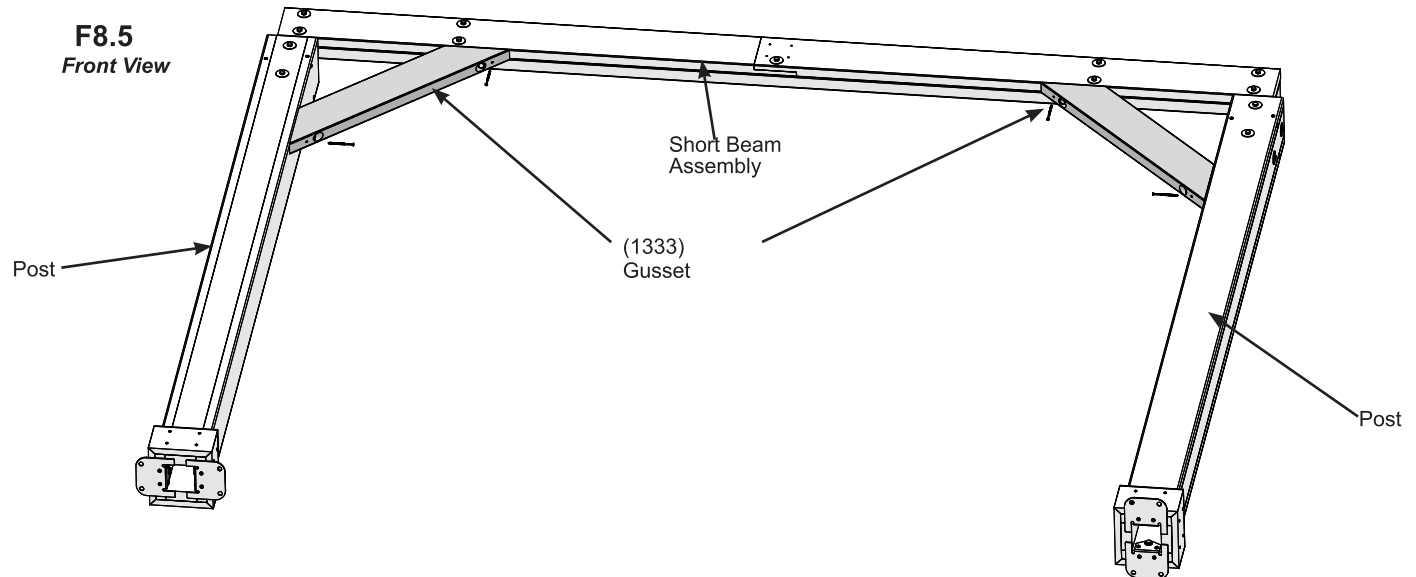
8 x 5/16 x 2-3/4" Hex Bolt
(5/16" lock washer, 1/4-5/16" large washer, 5/16" t-nuts)

Step 8: Short Beam/Post Assembly Part 2



G: Place one (1333) Gusset flush to front of Short Beam Assembly and flush to the front of the post. Attach gusset to Short Beam Assembly and post with two #8 x 3-1/2" Wood Screws. Pre-drill with a 1/8" drill bit then attach gusset with two 5/16 x 4-3/4" Lag Screws (with 5/16" flat washer). (F8.5, F8.6 and F8.7)

H: Repeat Steps A - G to make a second Short Beam/Post Assembly.



Wood Parts

4 x (1333) Gusset

Hardware

8 x #8 x 3-1/2" Wood Screw

8 x 5/16 x 4-3/4" Lag Screw (5/16" flat washer)

Step 9: Long Beam/Post Assembly Part 1

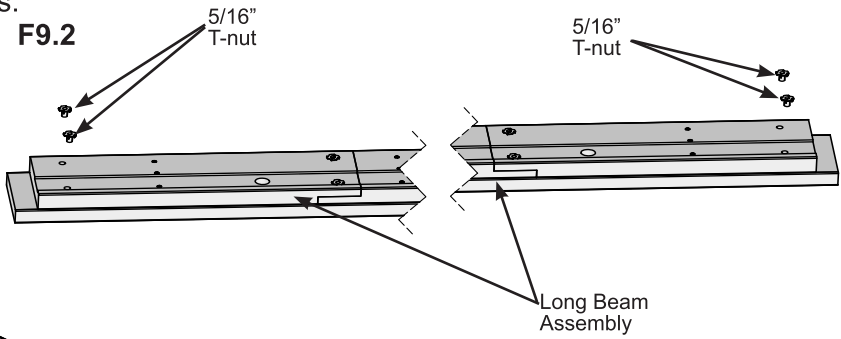
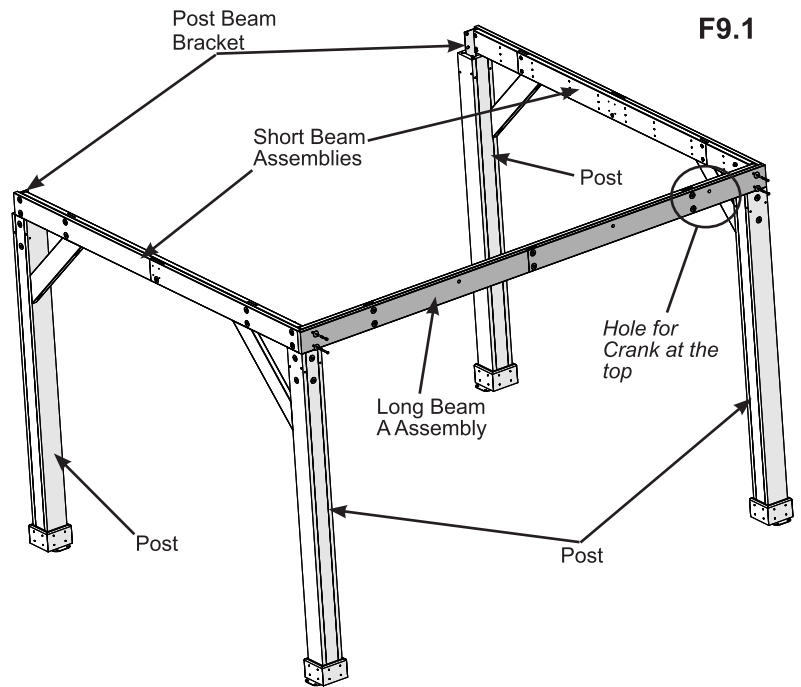


Move Short Beam/Post Assemblies to the final location.

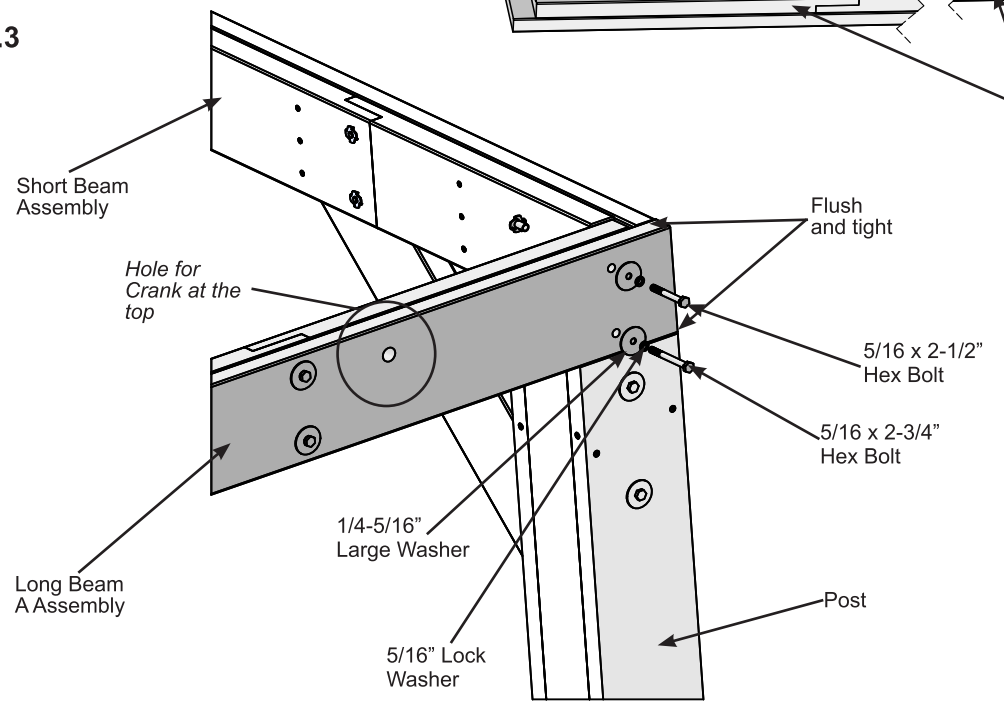
A: On both Long Beam Assemblies tap two 5/16" T-nuts into each end. T-nuts should be installed on the same side as previous t-nuts are installed. (F9.2)

B: With helpers stand up Short Beam/Post Assemblies then slide Long Beam A Assembly onto Post Beam Bracket, tight to Short Beam Assemblies and flush to the tops and outside corners of Short Beam Assemblies. Attach Long Beam A Assembly to Post Beam Brackets with one 5/16 x 2-3/4" Hex Bolts (with 5/16" lock washer and 1/4-5/16" large washer) in the bottom hole and one 5/16 x 2-1/2" Hex Bolts (with 5/16" lock washer and 1/4-5/16" large washer) in the top hole per corner. The bolts will connect to the previously installed t-nuts. (F9.1 and F9.3)

Note: Hole for Crank at the top of beam



F9.3



Hardware

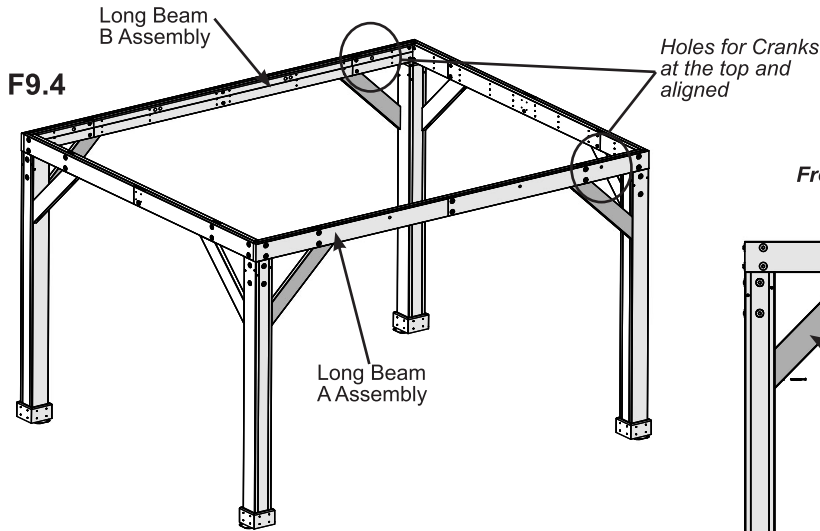
- 2 x 5/16 x 2-1/2" Hex Bolt
(5/16" lock washer, 1/4-5/16" large washer)
- 2 x 5/16 x 2-3/4" Hex Bolt
(5/16" lock washer, 1/4-5/16" large washer)
- 8 x 5/16 T-Nut

Step 9: Long Beam/Post Assembly Part 2

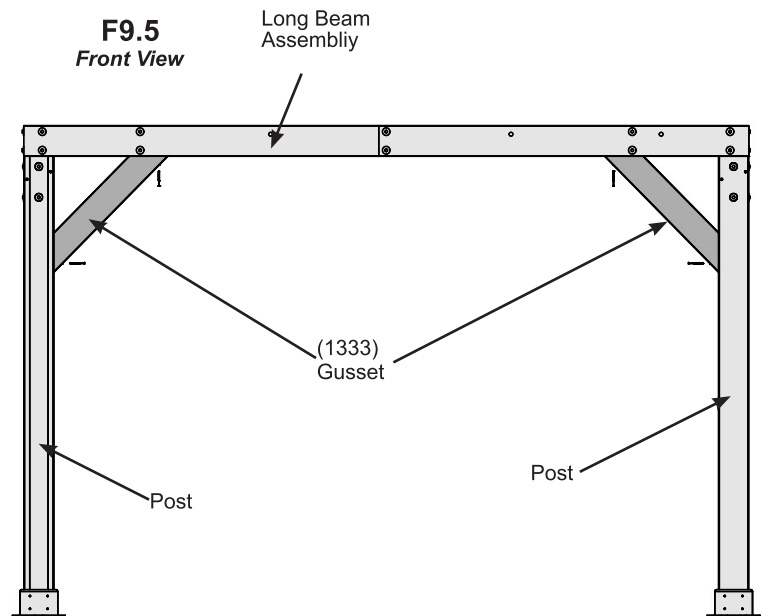


C: Slide Long Beam B Assembly onto Post Beam Bracket on other side, tight to Short Beam Assemblies and flush to the tops and outside corners. Attach Long Beam B Assembly to Post Beam Brackets with one 5/16 x 2-3/4" Hex Bolts (with 5/16" lock washer and 1/4-5/16" large washer) in the bottom hole and one 5/16 x 2-1/2" Hex Bolts (with 5/16" lock washer and 1/4-5/16" large washer) in the top hole per corner. The bolts will connect to the previously installed t-nuts. (F9.4)

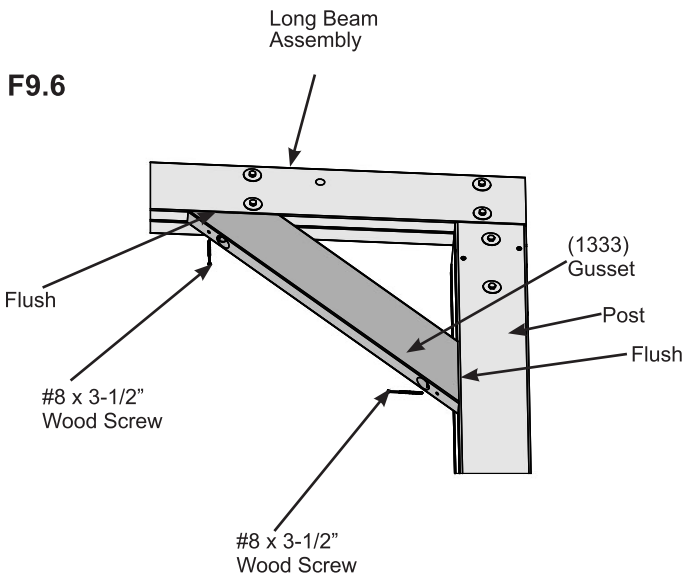
D: Make sure the assembly is square then place one (1333) Gusset flush to front of Long Beam Assembly and flush to the front of the post. Attach gusset to Long Beam Assembly and post with two #8 x 3-1/2" Wood Screws. Pre-drill with a 1/8" drill bit then attach gusset with two 5/16 x 4-3/4" Lag Screws (with 5/16" flat washer). (F9.4, F9.5, F9.6 and F9.7)



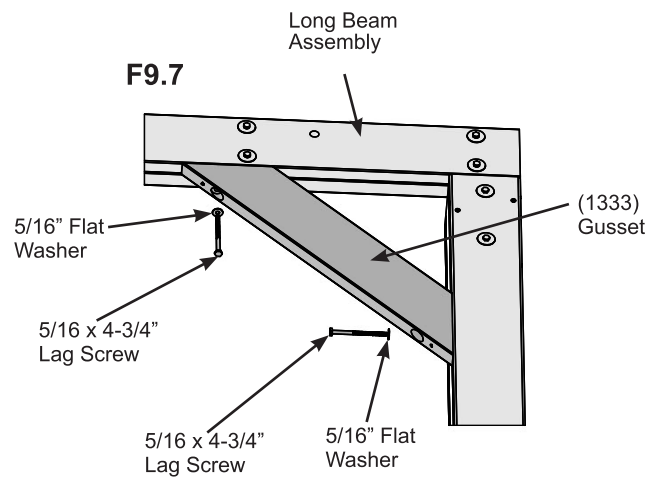
F9.4



F9.5
Front View



F9.6



F9.7

Wood Parts

4 x (1333) Gusset

2 x 5/16 x 2-1/2" Hex Bolt
(5/16" lock washer, 1/4-5/16" large washer)
2 x 5/16 x 2-3/4" Hex Bolt
(5/16" lock washer, 1/4-5/16" large washer)

Hardware

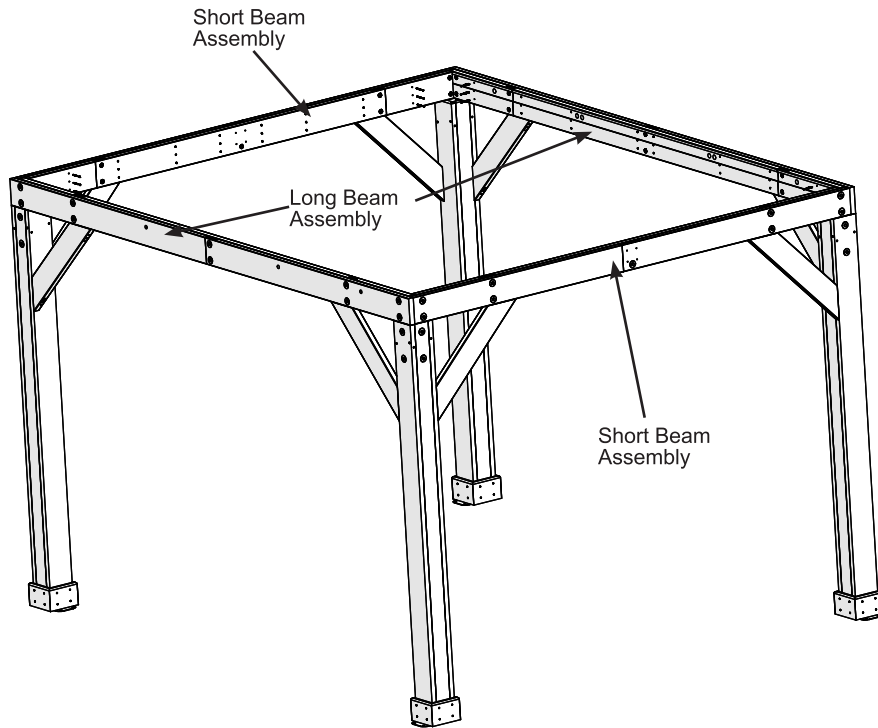
8 x #8 x 3-1/2" Wood Screw
8 x 5/16 x 4-3/4" Lag Screw (5/16" flat washer)

Step 9: Long Beam/Post Assembly Part 3

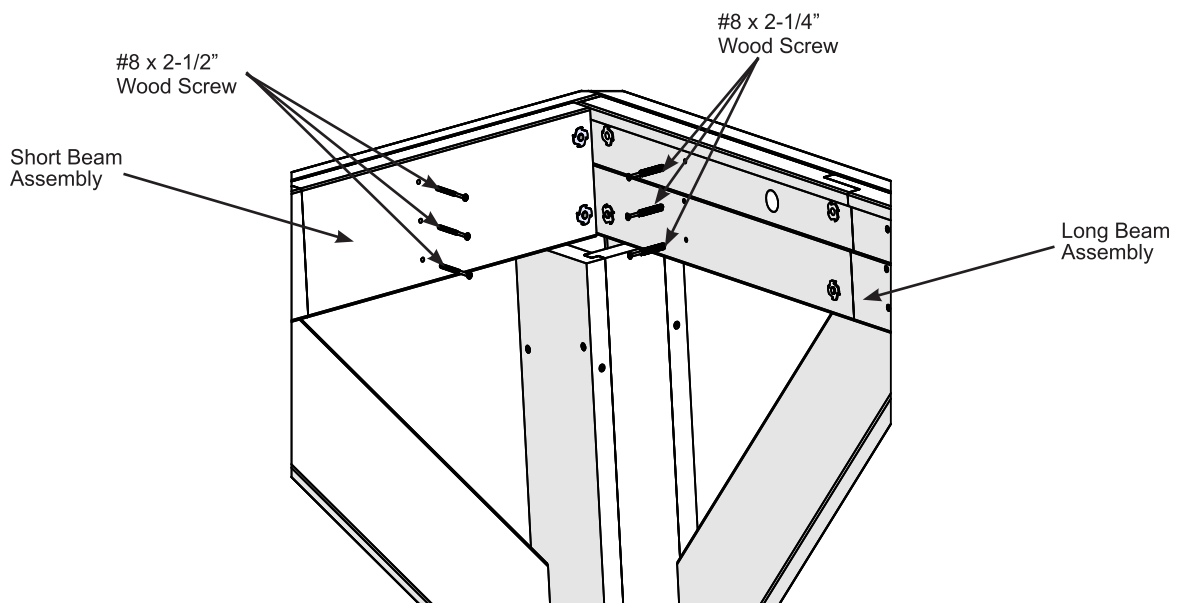


E: From inside the assembly install three #8 x 2-1/4" Wood Screws to the ends of each Long Beam Assembly and three #8 x 2-1/2" Wood Screws to the ends of each Short Beam Assembly. (F9.8 and F9.9)

F9.8



F9.9



Hardware

12 x #8 x 2-1/4" Wood Screw

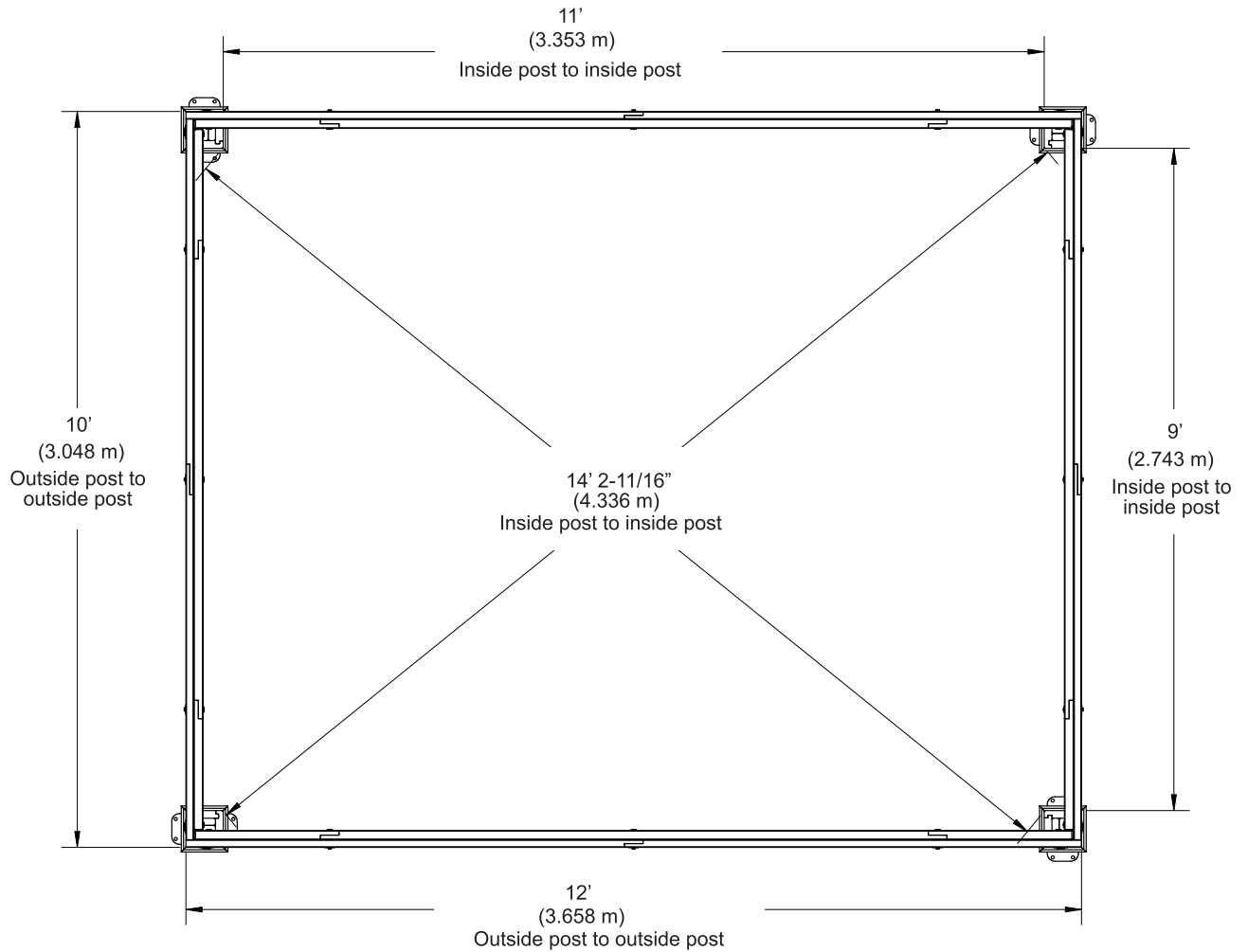
12 x #8 x 2-1/2" Wood Screw

Step 10: Check Frame Dimensions



A: The diagonal distance between the inside of two posts should be 170-11/16" (4.336 m) (measuring from posts not from Post Mounts. (F10.1)

F10.1



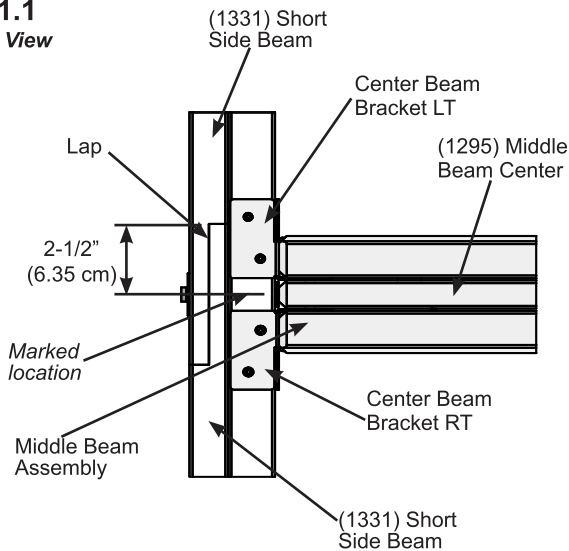
Step 11: Attach Middle Beam Assembly Part 1



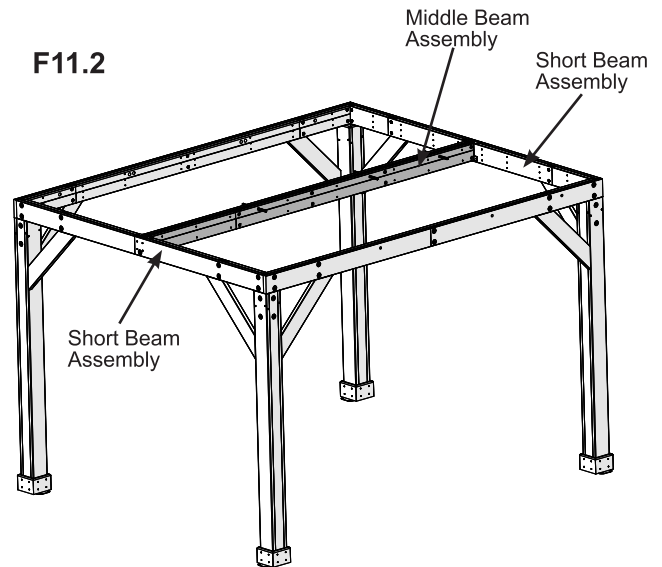
A: On each Short Beam Assembly, at the lap where two (1331) Short Side Beams meet, measure 2-1/2" (6.35 cm) and mark the spot. (F11.1)

B: Place Middle Beam Assembly at the centre of each Short Beam Assembly so the middle of each (1295) Middle Beam Center line up with the previously marked location on the Short Beam Assembly. Make sure Axle Through Pin Shorts are at the top of the beam. They will be aligned with the holes for the Crank. Attach Centre Beam Brackets LT/RT to Short Beam Assemblies with six #8 x 1-1/2" Wood Screws per bracket. (F11.2, F11.3 and F11.4)

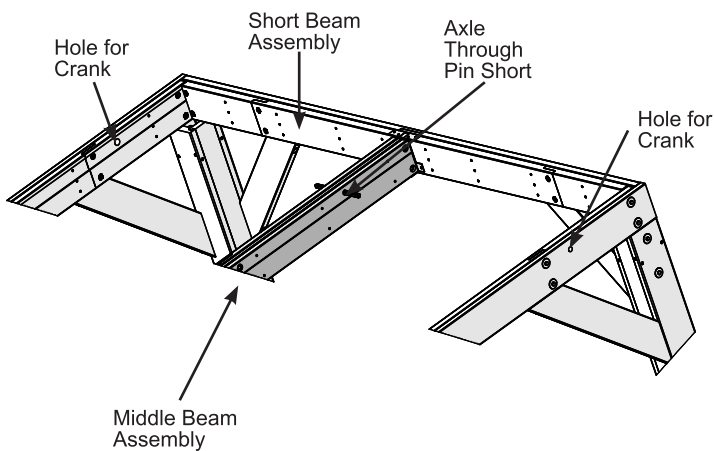
F11.1
Top View



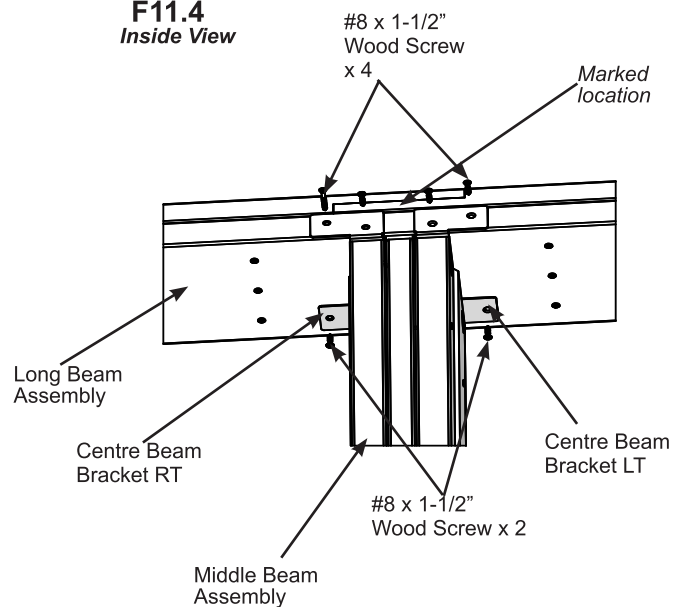
F11.2



F11.3



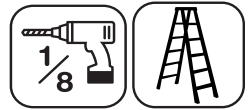
F11.4
Inside View



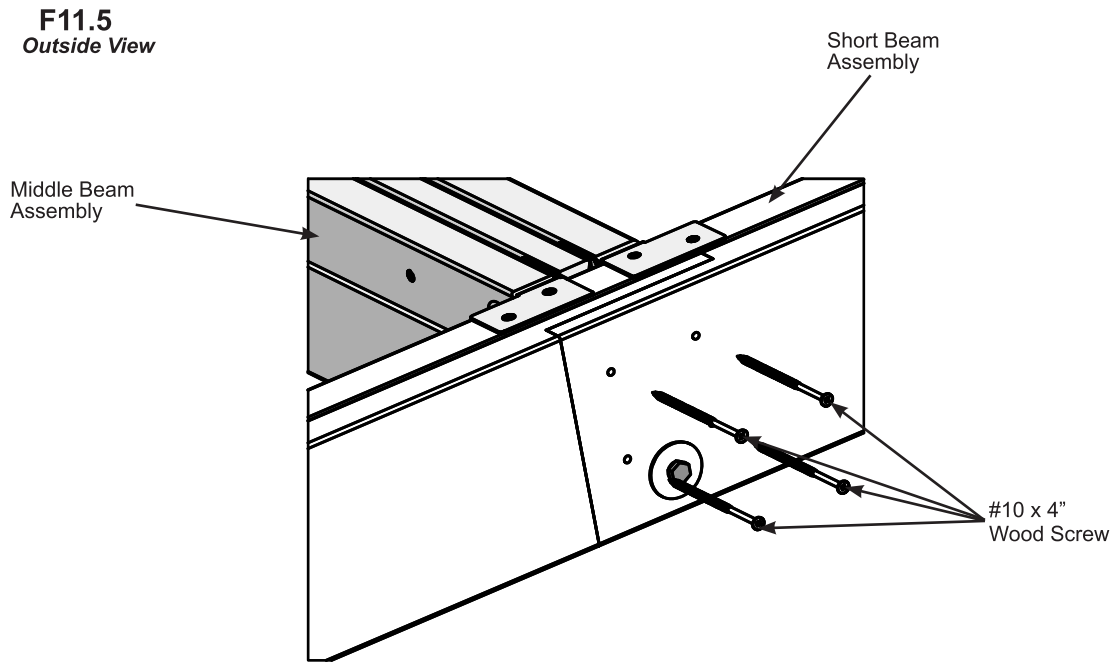
Hardware

12 x #8 x 1-1/2" Wood Screw

Step 11: Attach Middle Beam Assembly Part 2



C: Predrill with a 1/8" drill bit then attach Short Beam Assemblies to Middle Beam Assembly with four #10 x 4" Wood Screws per end. (F11.5)



Hardware

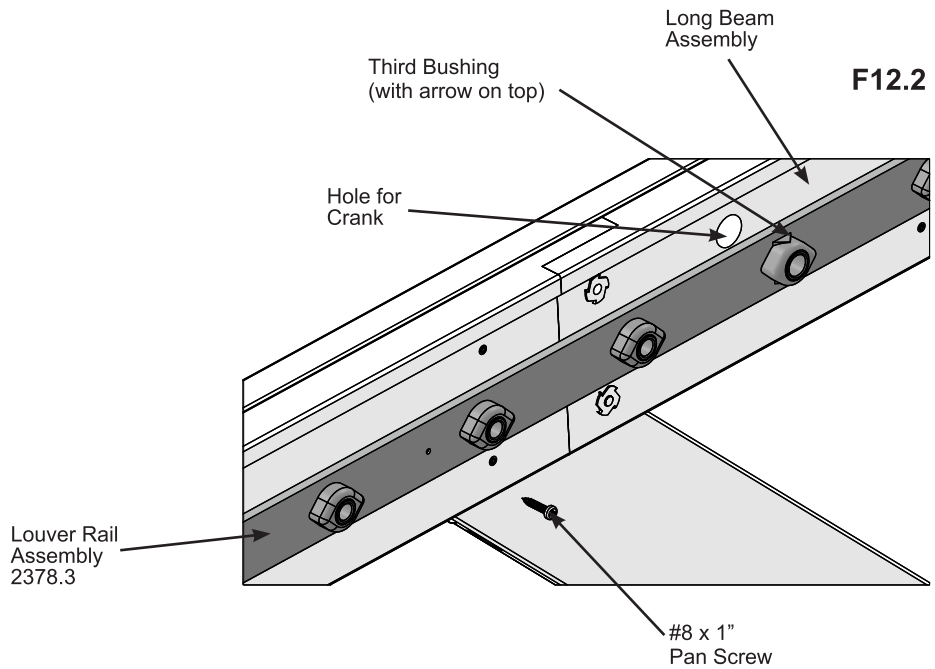
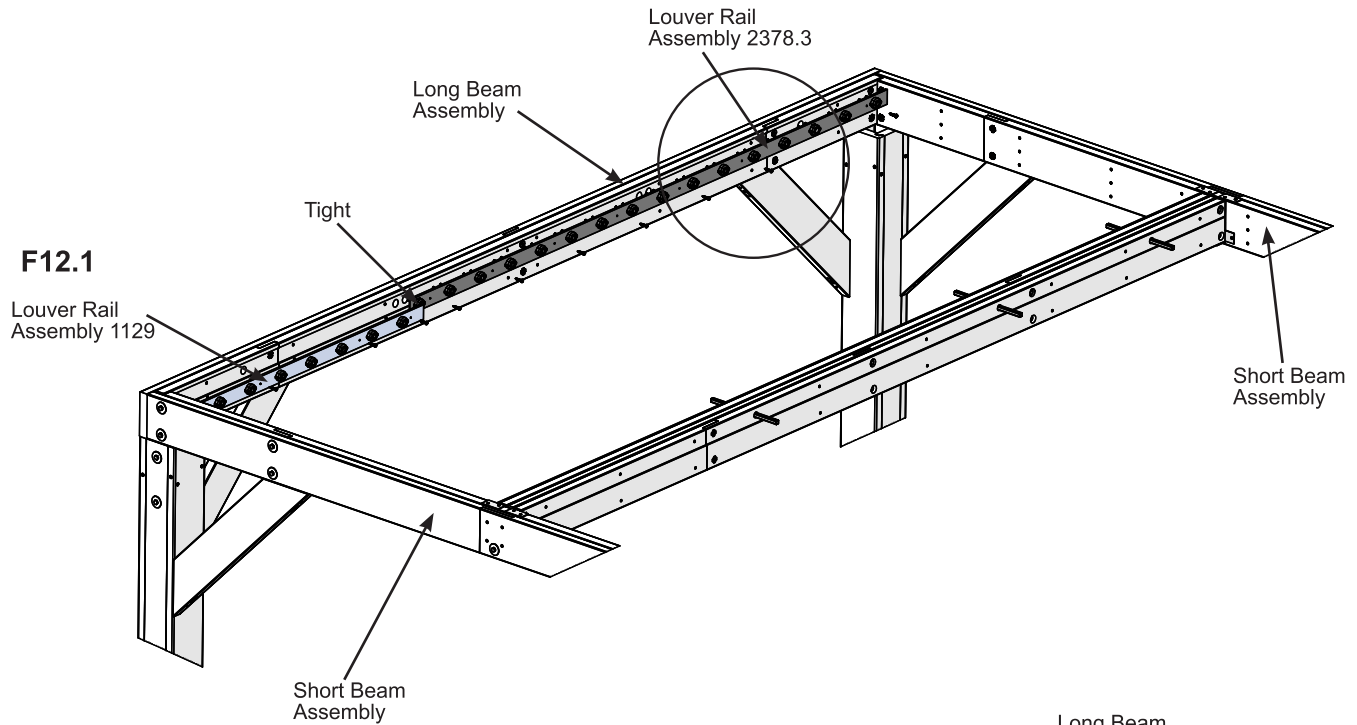
8 x #10 x 4" Wood Screw

Step 12: Attach Louvered Rails Part 1



A: On the inside of each Long Beam Assembly, in the groove, place one Louver Rail Assembly 2378.3. Make sure the rail is oriented so the third bushing (with arrow on top) is lined up with the hole for the Crank. Attach to Long Beam Assembly with eight #8 x 1" Pan Screws. (F12.1 and F12.2)

B: Tight to each Louver Rail Assembly 2378.3 place one Louver Rail Assembly 1129 then attach with four #8 x 1" Pan Screws. (F12.1 and F12.2)



Components

- 2 x Louver Rail Assembly 2378.3
- 2 x Louver Rail Assembly 1129

Hardware

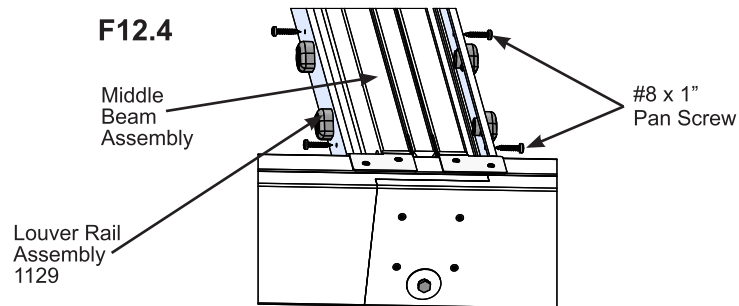
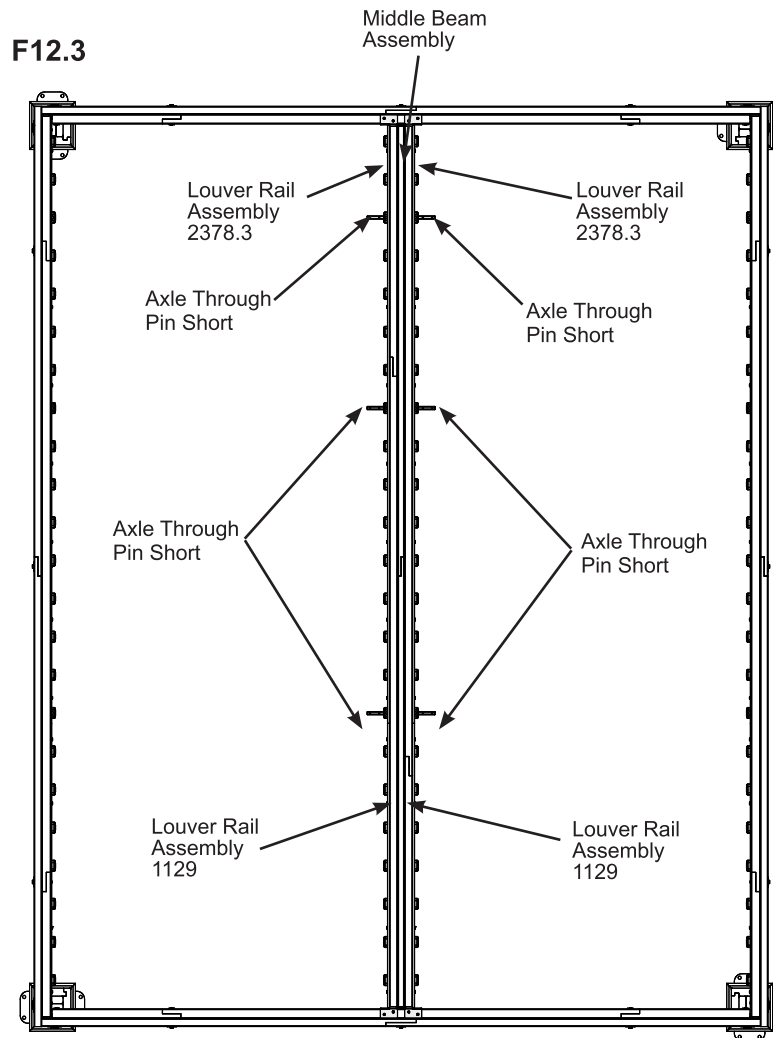
- 24 x #8 x 1" Pan Screw

Step 12: Attach Louvered Rails Part 2



C: On each side of the Middle Beam Assembly, in the groove, place one Louver Rail Assembly 2378.3. Make sure the rail is oriented so the three bushings (with arrow on top) are inserted over the three Axle Through Pin Shorts. Attach to Middle Beam Assembly with eight #8 x 1" Pan Screws. (F12.3 and F12.4)

B: Tight to each Louver Rail Assembly 2378.3 place one Louver Rail Assembly 1129 then attach with four #8 x 1" Pan Screws. (F12.3 and F12.4)



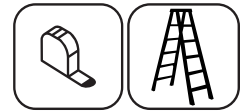
Components

2 x Louver Rail Assembly 2378.3
2 x Louver Rail Assembly 1129

Hardware

24 x #8 x 1" Pan Screw

Step 13: Attach Gutter Drain Corners

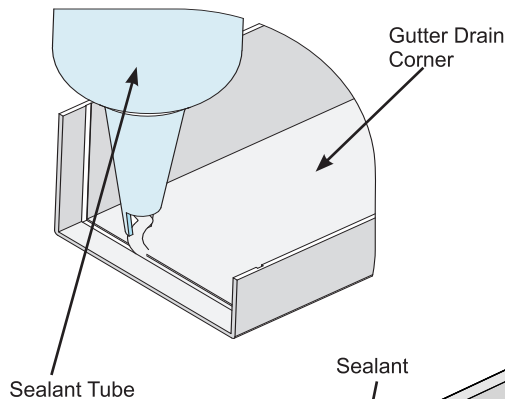


A: Measure approximately 1/2" (1.27 cm) in from both edges of each Gutter Drain Corner then apply a small bead of sealant. (F13.1 and F13.2)

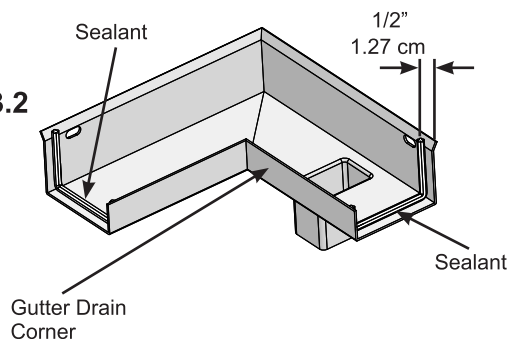
B: On each Long Beam Assembly there will be one Gutter Drain Corner. Choose which post along the Long Beam Assembly the water is going to drain from. (F13.3)

C: On each Post Assembly place one Gutter Drain Corner so it is tight to the Long and Short Beam Assemblies. Do not attach at this step. (F13.3 and F13.4)

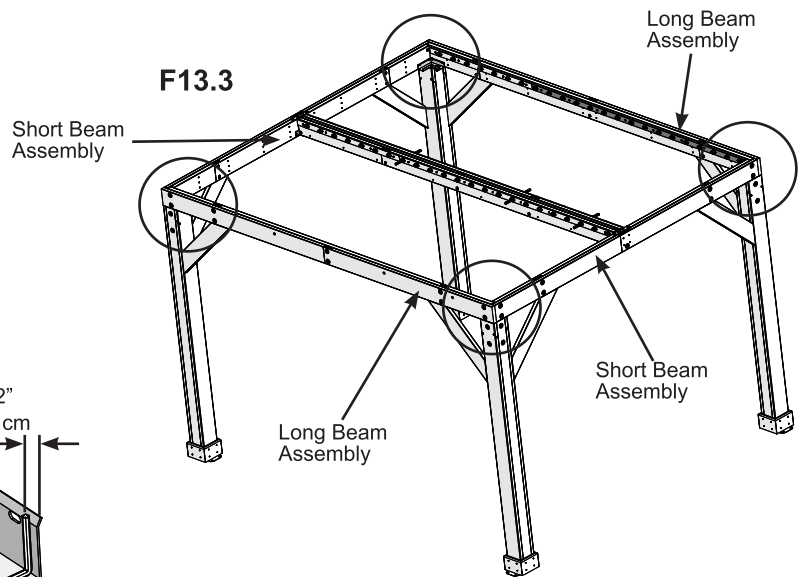
F13.1



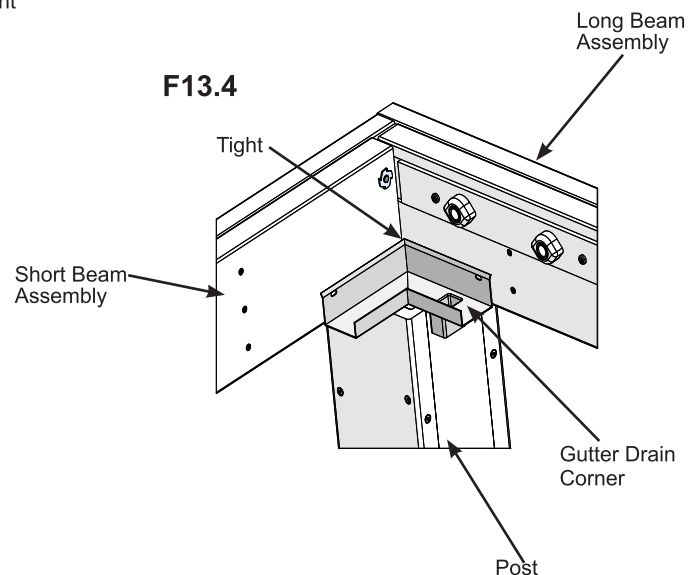
F13.2



F13.3



F13.4



Note: All surfaces to be clean, dry, dust and grease free before application with temperatures above 5°C (41°F), no warmer than 35°C (95°F).

- Remove cap and cut a small piece off the nozzle for a small bead.
- Apply sealant in small beads and smooth as required.
- Clean excess with a cloth or paper towel before it skins over.
- Always wear safety glasses and rubber gloves when using product.

See page 6 for Warning and First Aid Information.

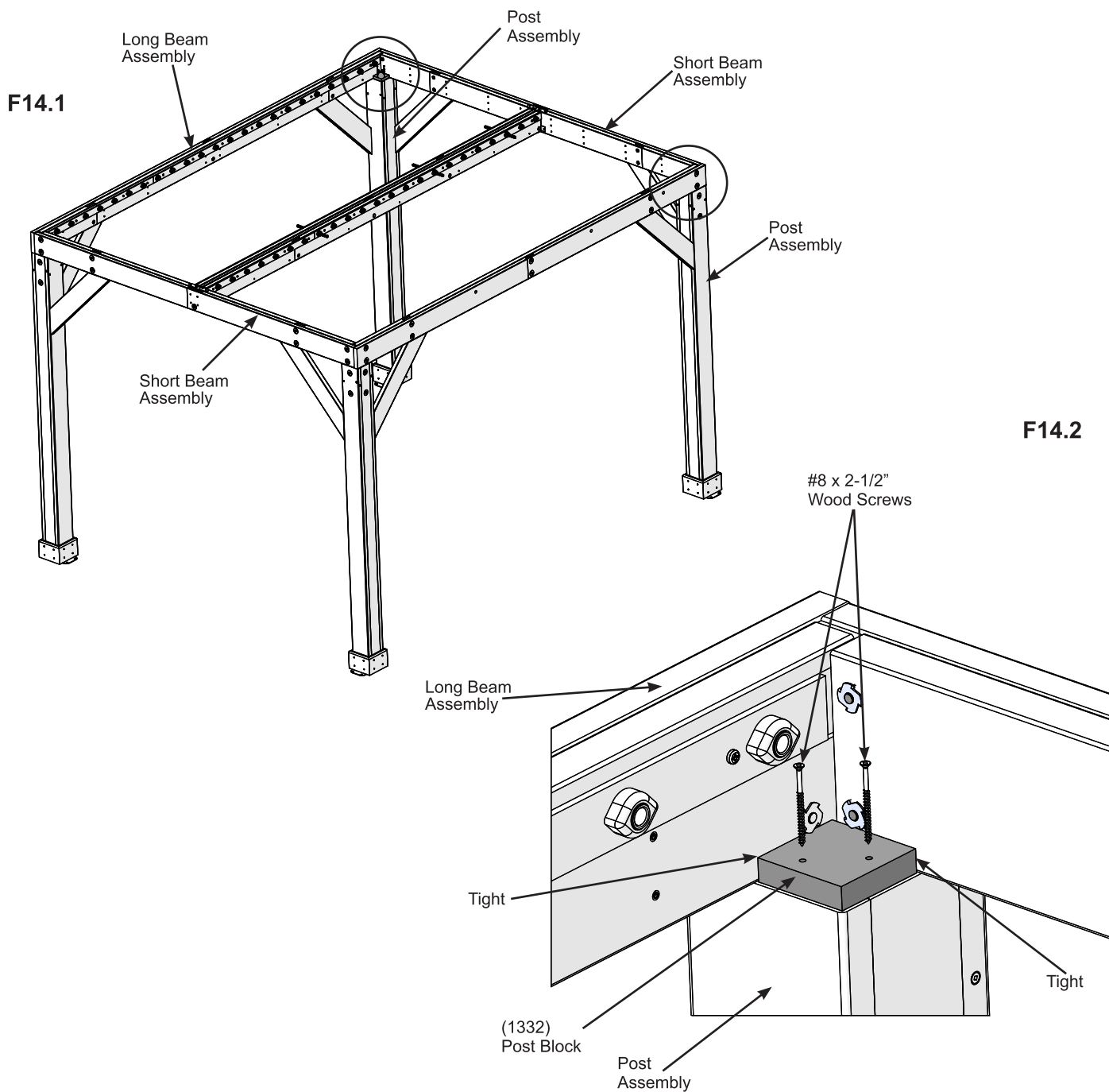
Components

2 x Gutter Drain Corner
Sealant

Step 14: Attach Post Blocks



A: At the Post Assembly (without the Gutter Drain Corner) place one (1332) Post Block tight to the Long and Short Beam Assemblies. Attach each (1332) Post Block to posts with two #8 x 2-1/2" Wood Screws. (F14.1 and F14.2)



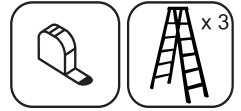
Wood Parts

2 x (1332) Post Block

Hardware

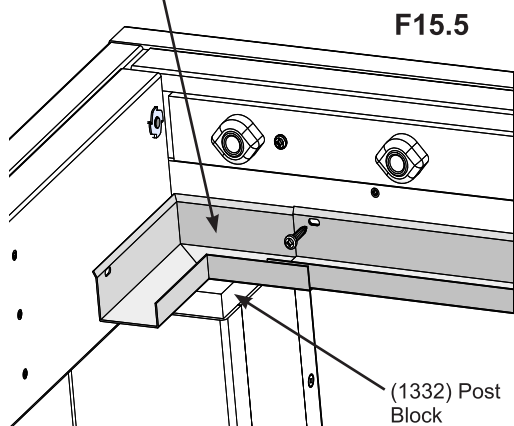
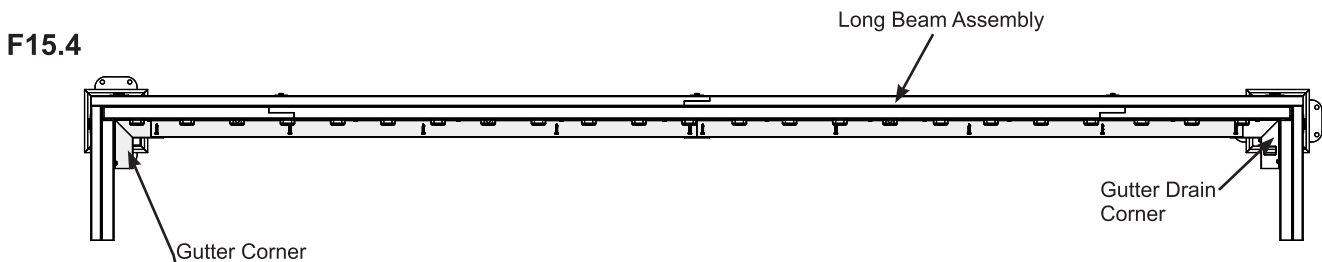
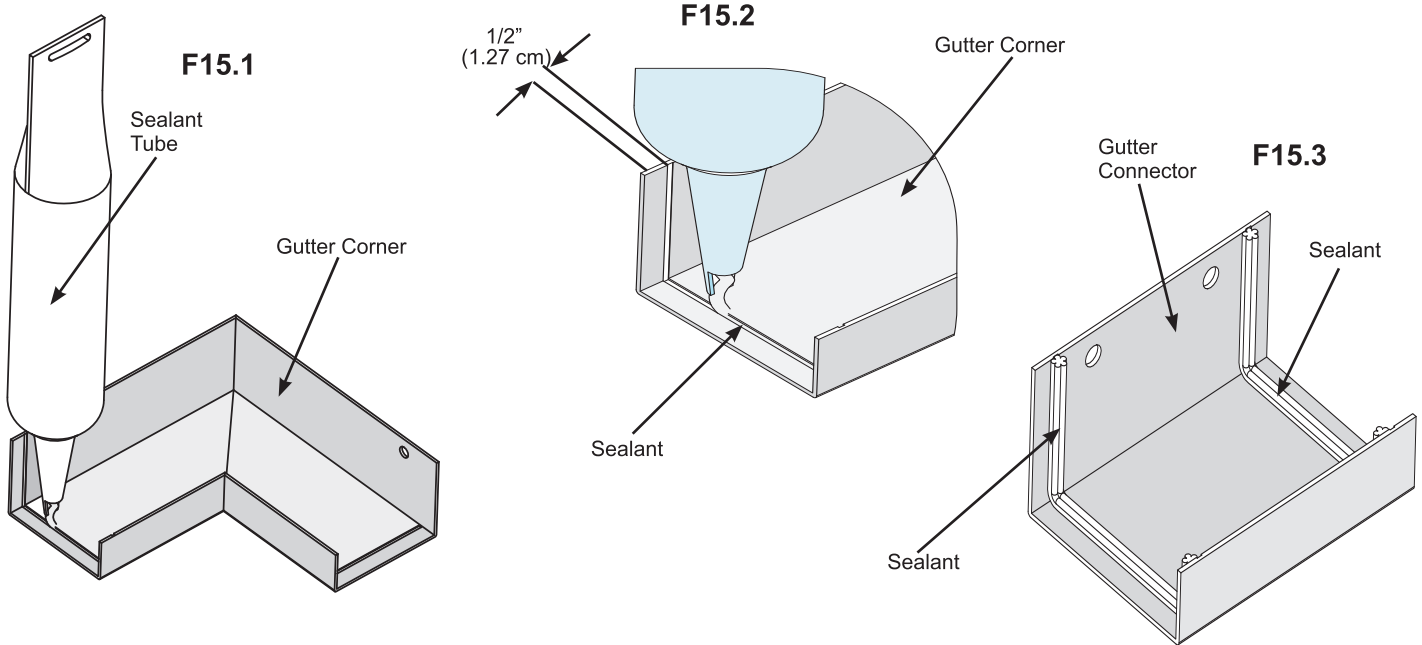
4 x #8 x 2-1/2" Wood Screw

Step 15: Rain Gutter Assembly Part 1



A: Measure approximately 1/2" (12.7 mm) in from both edges of six Gutter Corners and four Gutter Connectors then apply a small bead of sealant, as shown in F15.1, F15.2 and F15.3.

B: Place Gutter Corner on one (1332) Post Block tight to the Long and Short Beam Assemblies. (F15.4 and 15.5)



Note: All surfaces to be clean, dry, dust and grease free before application with temperatures above 5°C (41°F), no warmer than 35°C (95°F).

- Apply sealant in small beads and smooth as required.
- Clean excess with a cloth or paper towel before it skins over.
- Always wear safety glasses and rubber gloves when using product.

See page 6 for Warning and First Aid Information.

Components

- 6 x Gutter Corner
- 4 x Gutter Connector
- Sealant

Step 15: Rain Gutter Assembly

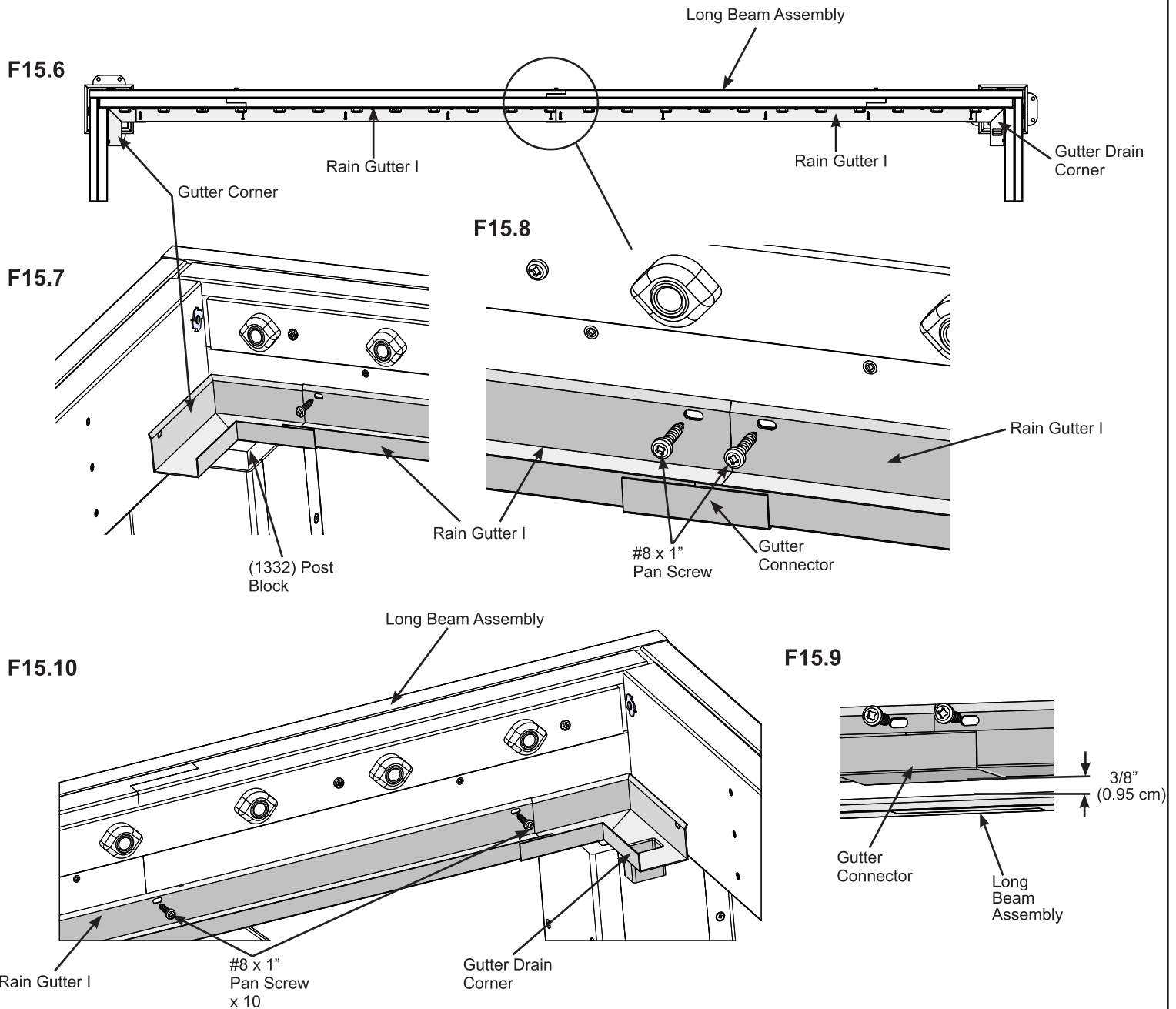
Part 2



C: Slide one Rain Gutter I into Gutter Corner along the Long Beam Assembly then place one Gutter Connector at the end of Rain Gutter I. Gutter Connector to sit $3/8''$ (0.95 cm) up from bottom of beam. (F15.6, F15.7, F15.8 and F15.9)

D: Slide one Rain Gutter I into Gutter Drain Corner along the Long Beam Assembly and into Gutter Connector. (F15.6, F15.8 and F15.10).

E: Attach, Rain Gutters to Short Beam Assembly with 10 #8 x 1" Pan Screws. (F15.6, F15.7, F15.8 and F15.10)



Components

4 x Rain Gutter I

Hardware

20 x #8 x 1" Pan Screw

Step 15: Rain Gutter Assembly

Part 3

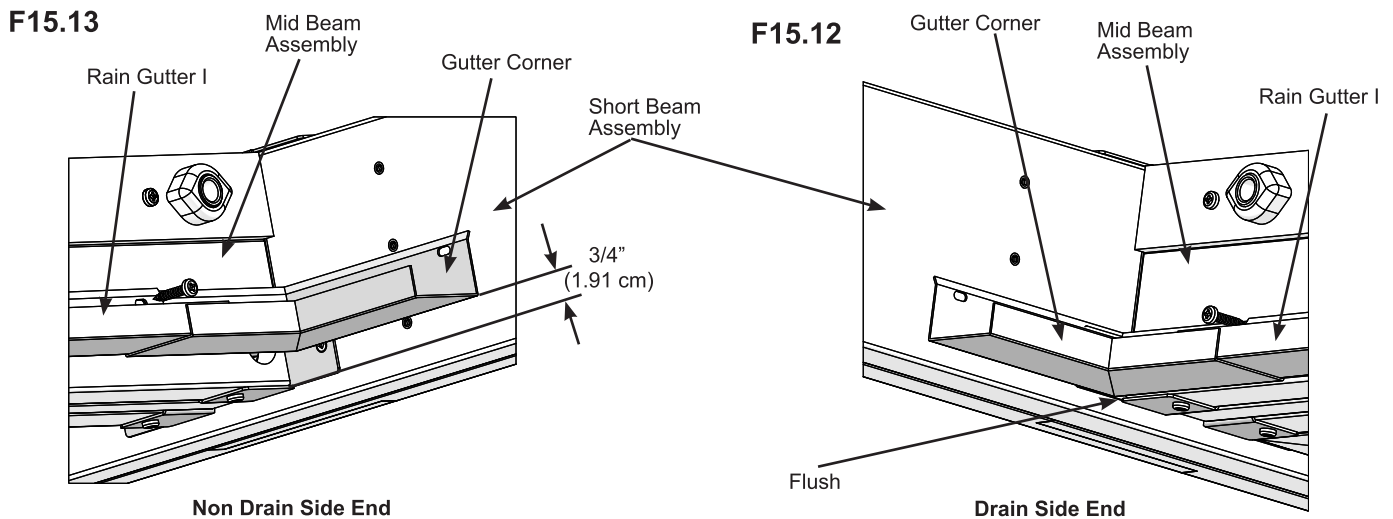
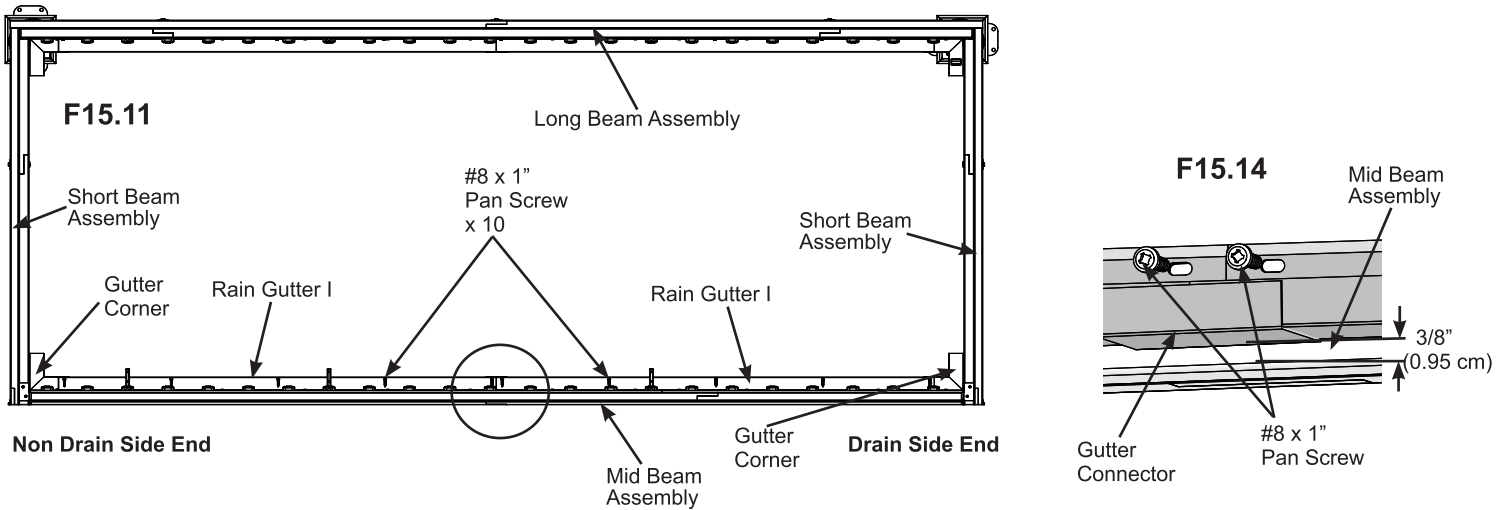


F: On the drain side end of the Mid Beam Assembly place one Gutter Corner flush to the bottom of the beam. Have one helper hold it in place. (F15.11 and F15.12)

G: On the non drain side end of the Mid Beam Assembly measure 3/4" (1.91 cm) up from the bottom of the beam and place one Gutter Corner. Have one helper hold it in place. (F15.11 and F15.13)

H: Slide one Rain Gutter I into each Gutter Corner along the Mid Beam Assembly with a Gutter Connector in the middle as done for the Long Beam Assembly. Gutter Connector to sit 3/8" (0.96 cm) up from bottom of beam. (F15.11, F15.12, F15.13 and F15.14)

I: Attach, Rain Gutters to Mid Beam Assembly with 10 #8 x 1" Pan Screws. (F15.11 and F15.14)



Components

4 x Rain Gutter I

Hardware

20 x #8 x 1" Pan Screw

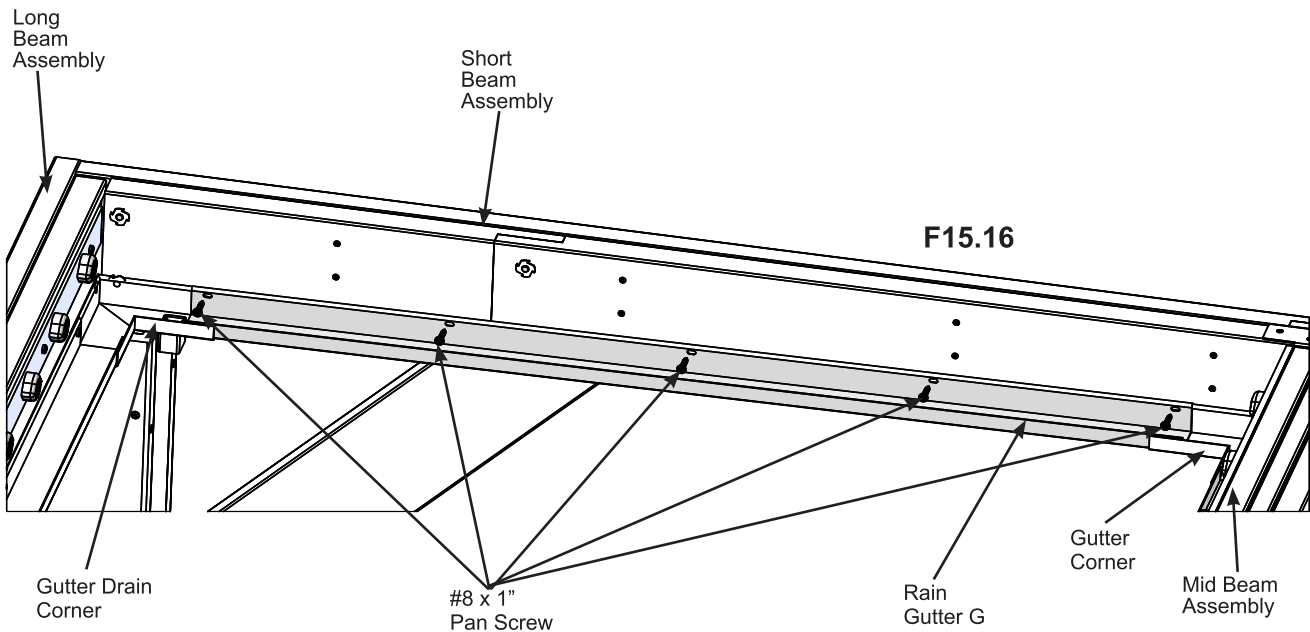
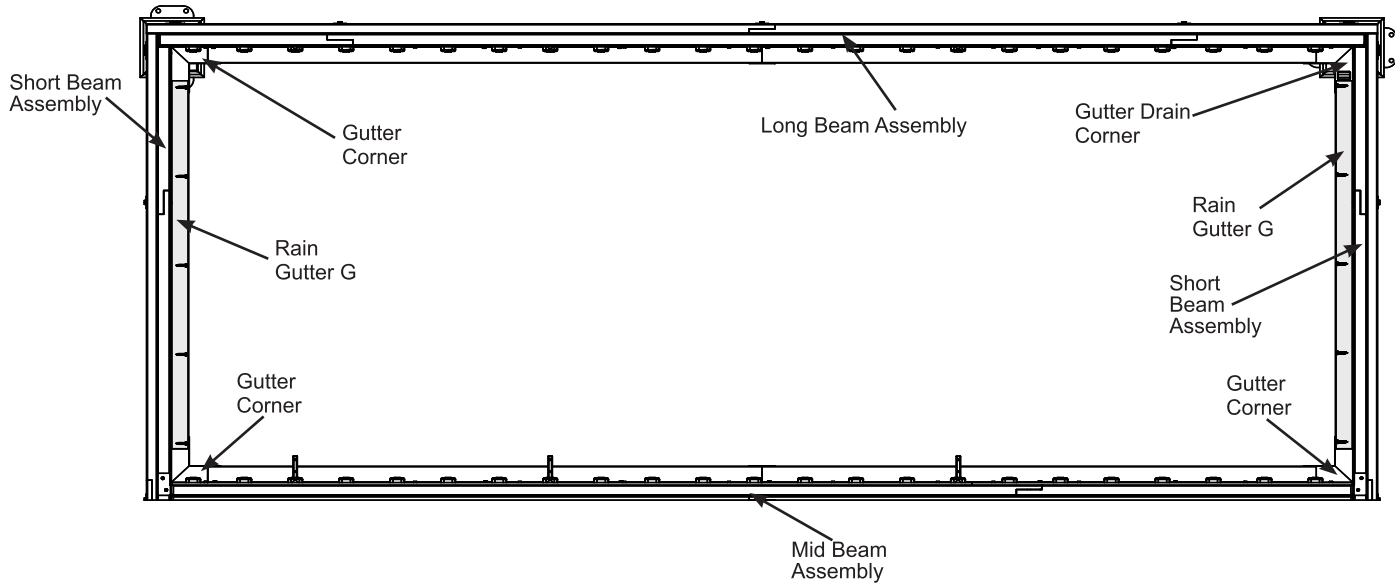
Step 15: Rain Gutter Assembly Part 4



J: On each Short Beam Assembly slide one Rain Gutter G into each Gutter Corner and Gutter Drain Corner then attach with five #8 x 1" Pan Screws. (F15.15 and F15.16)

K: Repeat Steps A - J for second side of the assembly.

F15.15



Components

4 x Rain Gutter G

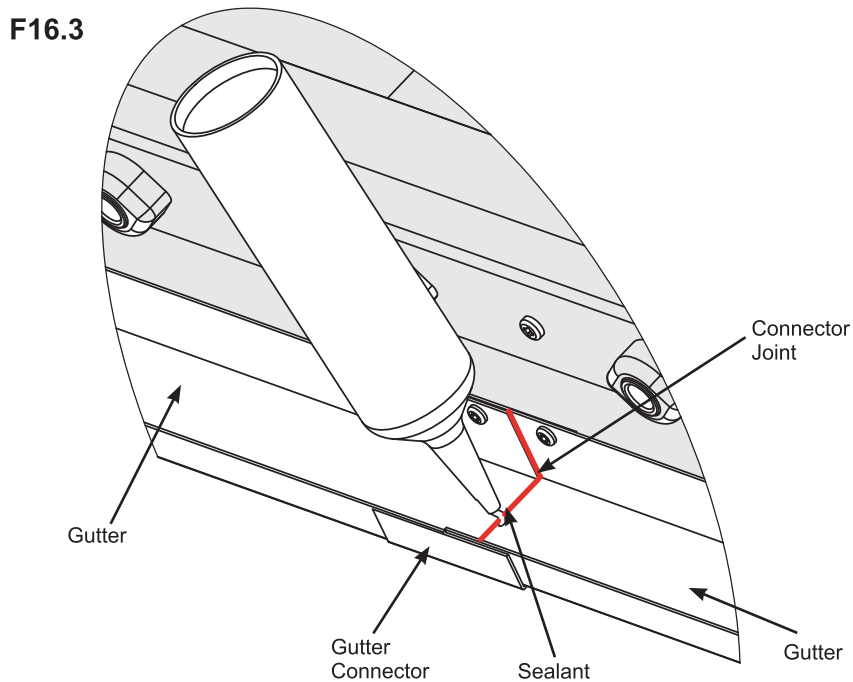
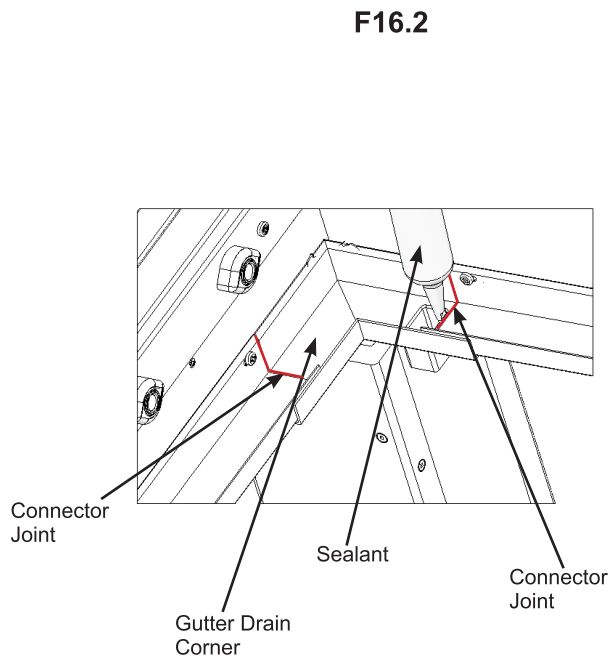
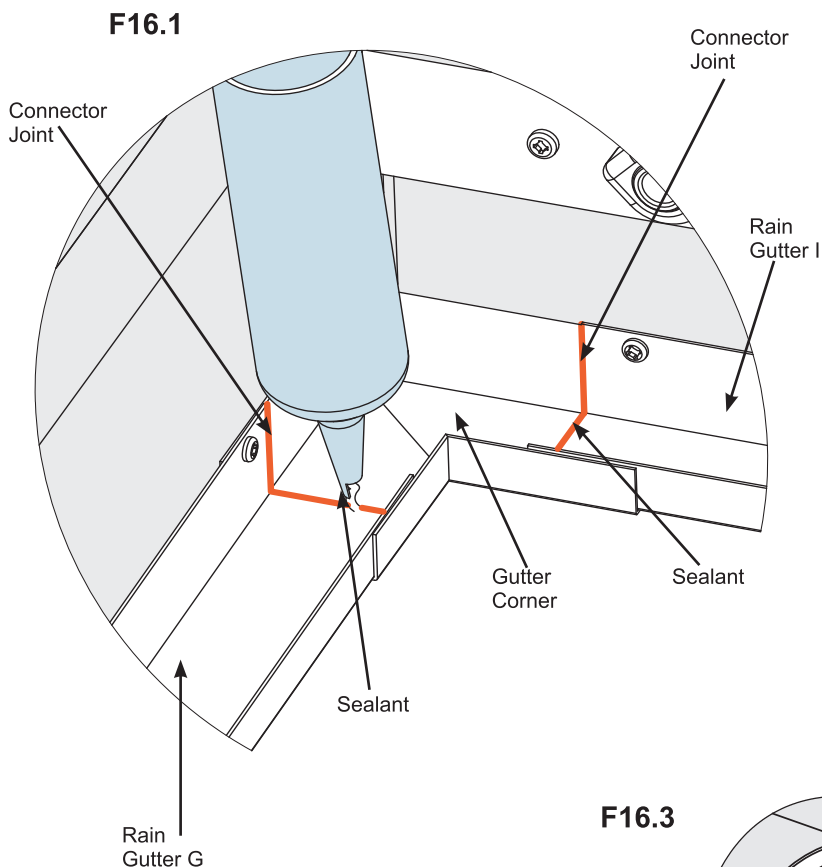
Hardware

20 x #8 x 1" Pan Screw

Step 16: Apply Sealant Part 1



A: At each end of Rain Gutter I and Rain Gutter G apply a small, evenly distributed bead of sealant over the connector joints. Smooth sealant into the joint so it forms a continuous, water-tight seal. (F16.1, F16.2 and F16.3)



Note: All surfaces to be clean, dry, dust and grease free before application with temperatures above 5°C (41°F), no warmer than 35°C (95°F).

- Apply sealant in small beads and smooth as required.
- Clean excess with a cloth or paper towel before it skins over.
- Always wear safety glasses and rubber gloves when using product.

See page 6 for Warning and First Aid Information.

Components

Sealant

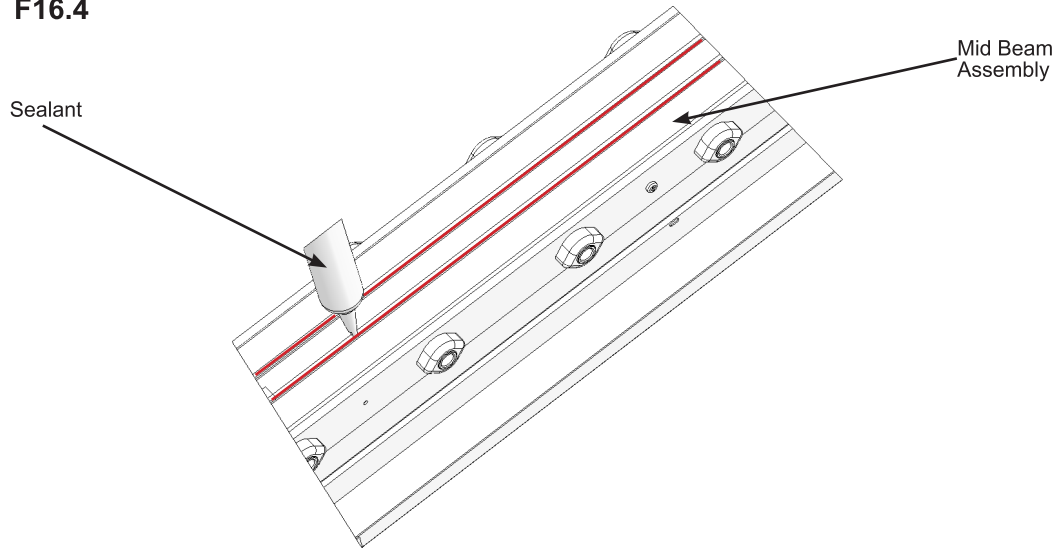
Step 16: Apply Sealant Part 2



B: In the seam of the Mid Beam Assembly apply a small evenly distributed bead of sealant and smooth out so it forms a continuous, water-tight seal. (F16.4)

C: Along the tops of the Rain Gutters on both Short Beam Assemblies, both Long Beam Assemblies and each side of the Middle Beam, including the tops of the Gutter Corners and Gutter Drain Corners, apply a small evenly distributed bead of sealant, smoothing the sealant so it gets into the joints. (F16.5)

F16.4

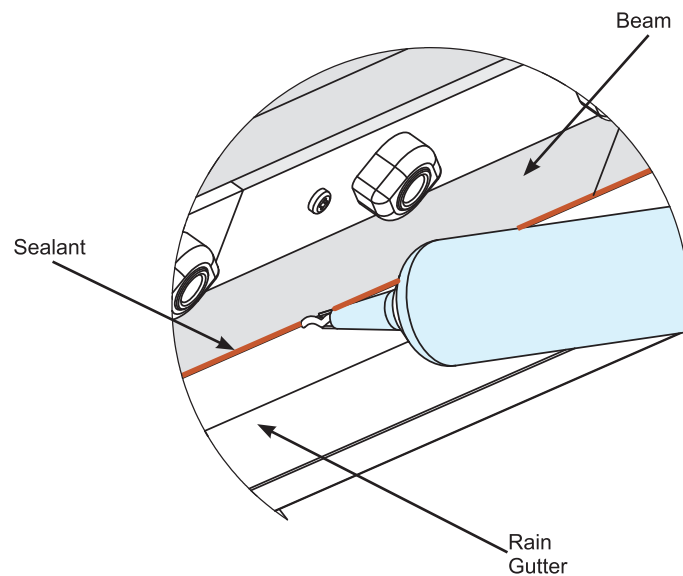


Note: All surfaces to be clean, dry, dust and grease free before application with temperatures above 5°C (41°F), no warmer than 35°C (95°F).

- Apply sealant in small beads and smooth as required.
- Clean excess with a cloth or paper towel before it skins over.
- Always wear safety glasses and rubber gloves when using product.

See page 6 for Warning and First Aid Information.

F16.5



Components

Sealant

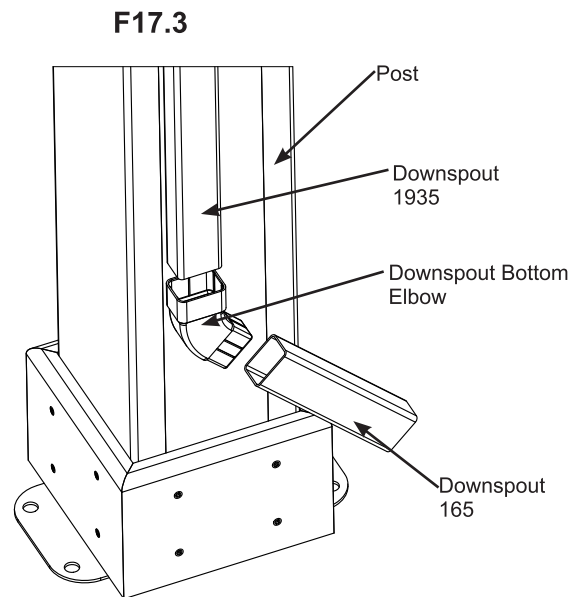
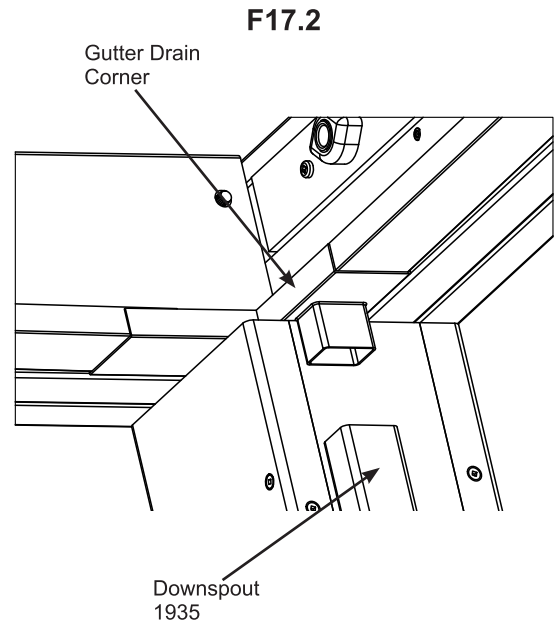
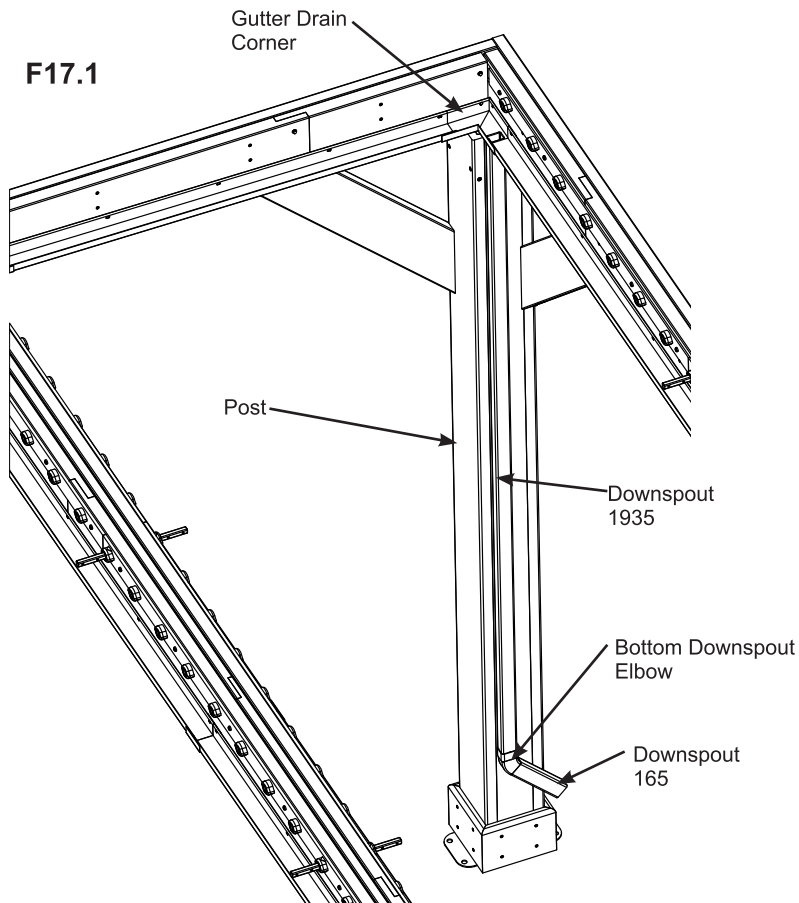
Step 17: Attach Downspout

Part 1



A: On the post with Gutter Drain Corner slide Downspout 1935 onto the Gutter Drain Corner. (F17.1 and F17.2)

B: Attach the Downspout Bottom Elbow to the bottom of Downspout 1935 then attach Downspout 165 to Downspout Bottom Elbow. (F17.1 and F17.3)



Components

2 x Downspout 1935
2 x Downspout Bottom Elbow
2 x Downspout 165

Step 17: Attach Downspout

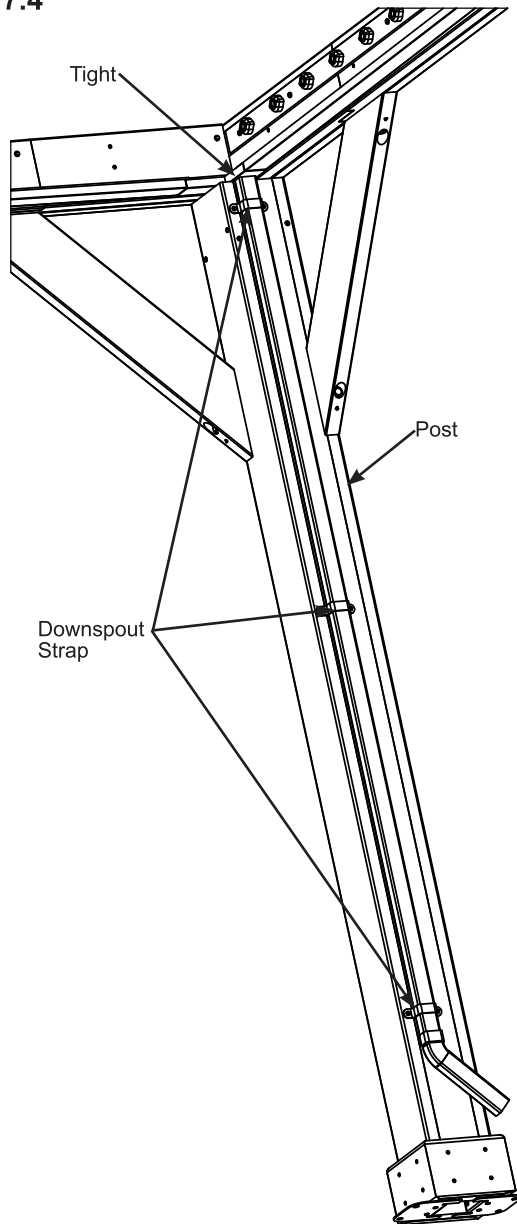
Part 2



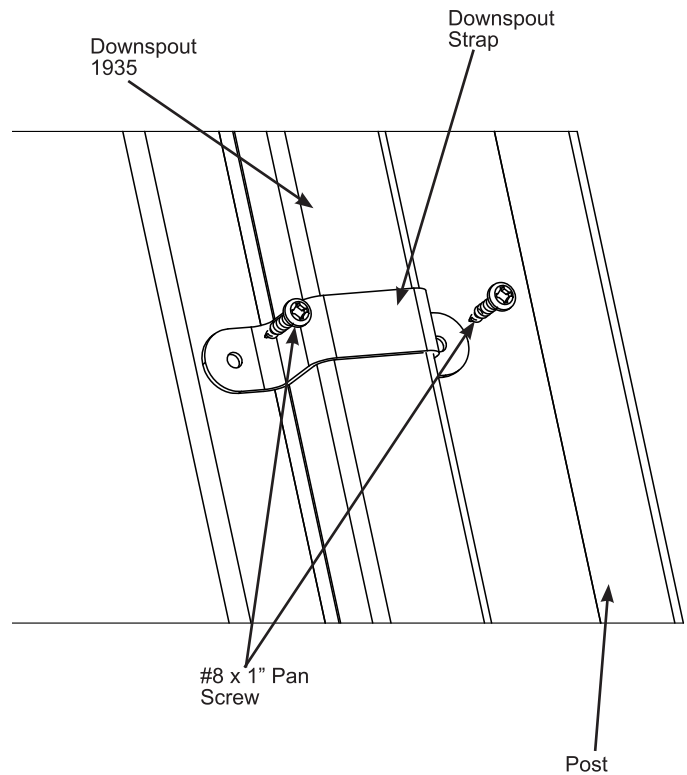
C: Make sure Downspout 1935 is tight to bottom of Gutter Drain Corner and attach Downspout Straps to the top, middle and bottom of Downspout 1935 with two #8 x 1 Pan Screws per strap. (F17.4 and F17.5)

D: Repeats Steps A - C on the other Gutter Corner Drain.

F17.4



F17.5

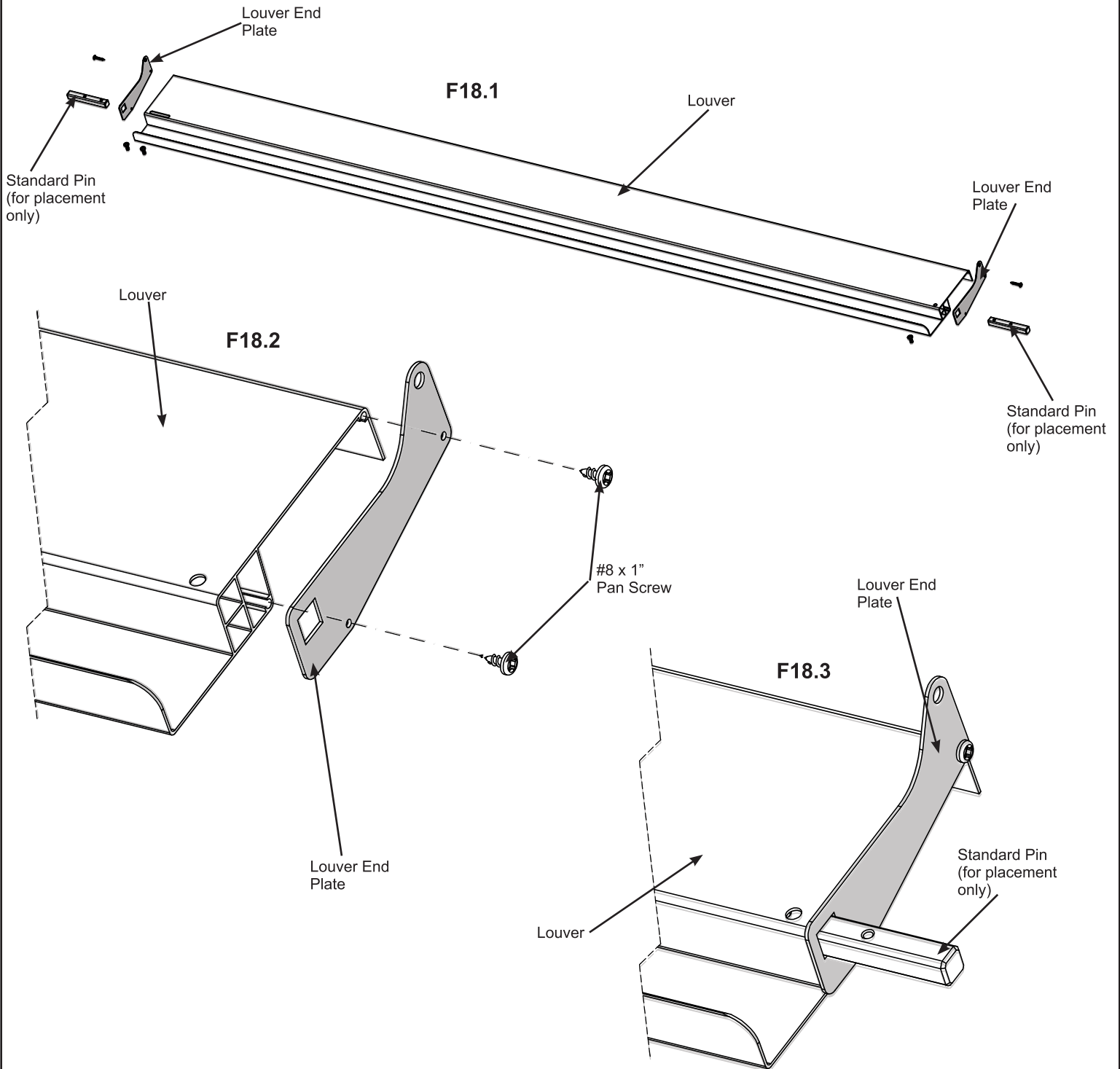


Components
6 x Downspout Strap

Hardware
12 x #8 x 1" Pan Screw

Step 18: Louver Assemblies Part 1

A: On six Louvers attach one Louver End Plate to each end with two #8 x 1" Pan Screws per plate. Use a Standard Pin to help line up proper placement. Remove Standard Pin when Louver End Plate is secure. (F18.1, F18.2 and F18.3)



Components

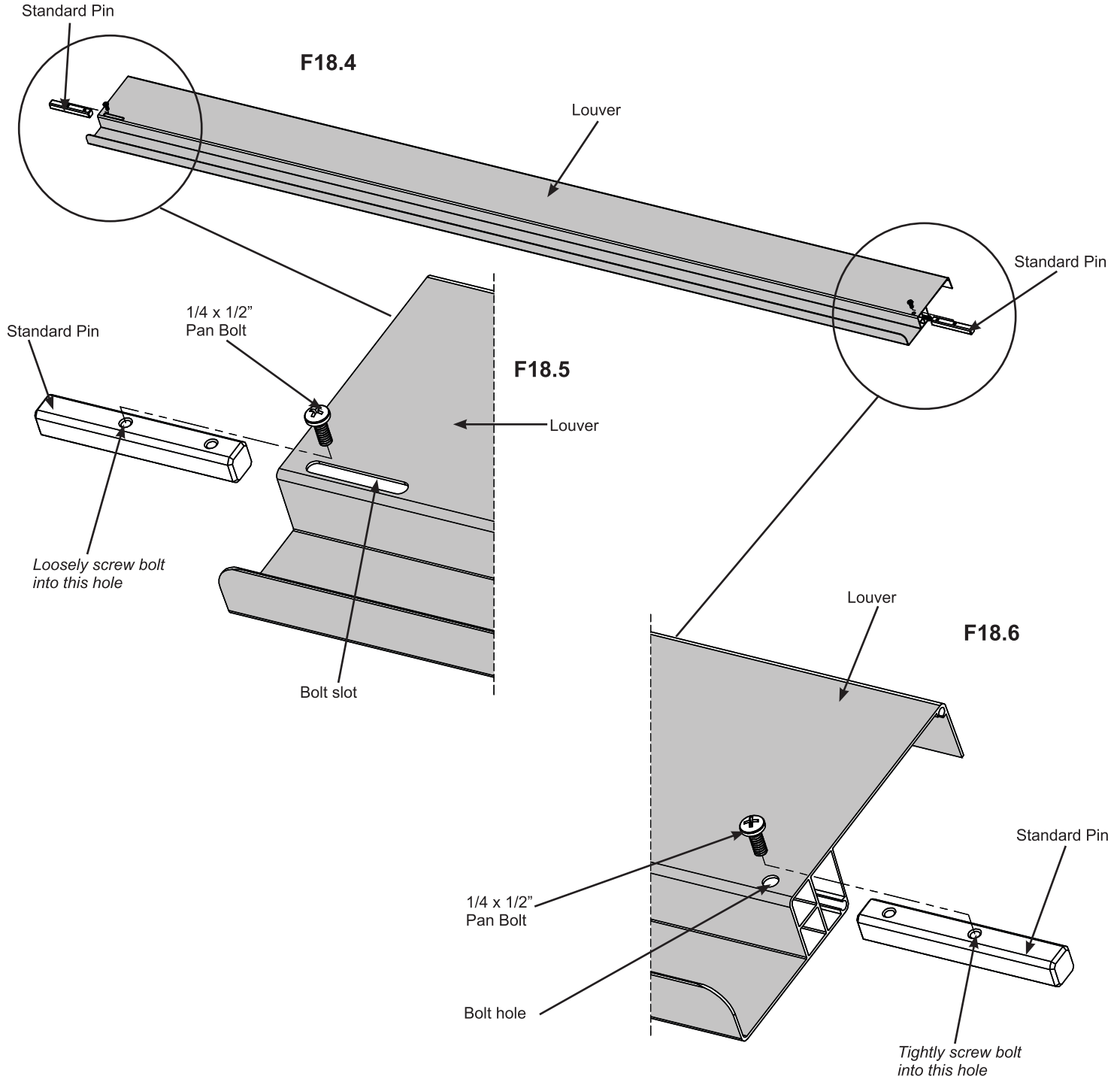
6 x Louver
12 x Louver End Plate

Hardware

24 x #8 x 1" Pan Screw

Step 18: Louver Assemblies Part 2

B: On the remaining 40 Louvers place one Standard Pin in the square slot at each end. Push pins all the way in to the second bolt hole. On the side of the Louver with the single bolt hole, tightly attach to pin with one 1/4 x 1/2" Pan Bolt. On the side of the Louver with the bolt slot, loosely attach to pin with one 1/4 x 1/2" Pan Bolt. Notice which end of Standard Pin is inserted in Louvers. (F18.4, F18.5 and F18.6)



Components

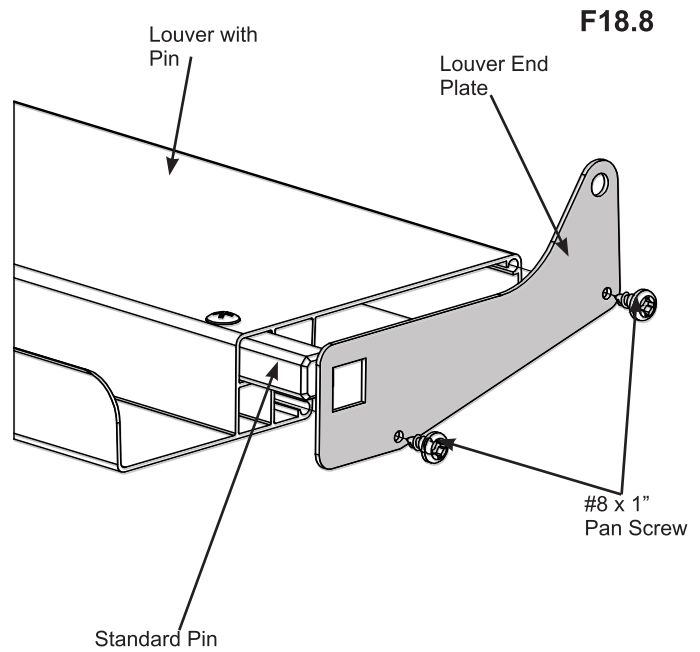
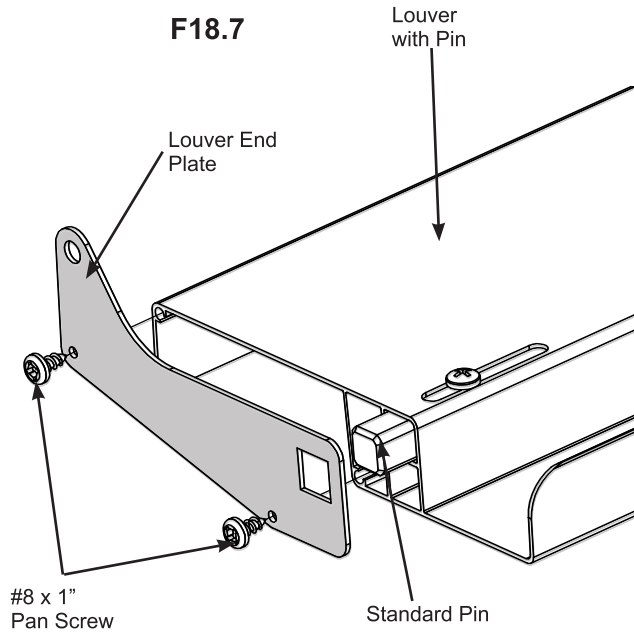
40 x Louver
80 x Standard Pin

Hardware

80 x 1/4 x 1/2" Pan Bolt

Step 18: Louver Assemblies Part 3

C: Place one Louver End Plate at each end of the Louvers, fitting over the pins then attach with two #8 x 1" Pan Screws per plate. (F18.7 and F18.8)



Components

80 x Louver End Plate

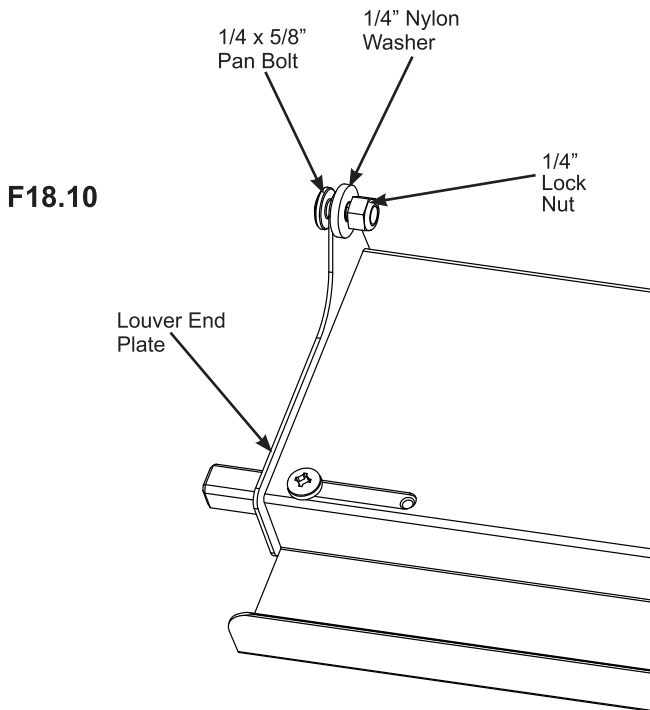
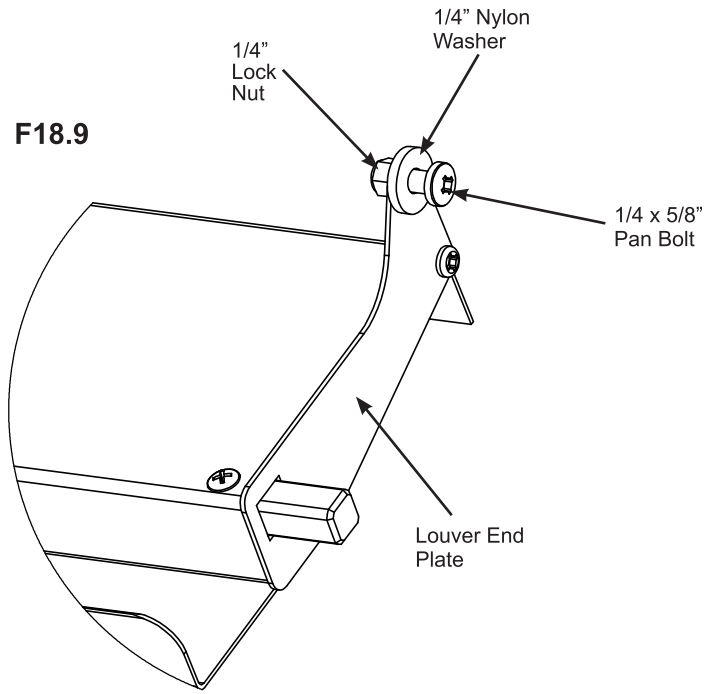
Hardware

160 x #8 x 1" Pan Screw

Step 18: Louver Assemblies

Part 4

D: On each Louver End Plate loosely attach one 1/4 x 5/8" Pan Bolt (with nylon washer and 1/4" lock nut) per plate. (F18.9 and F18.10)



Hardware

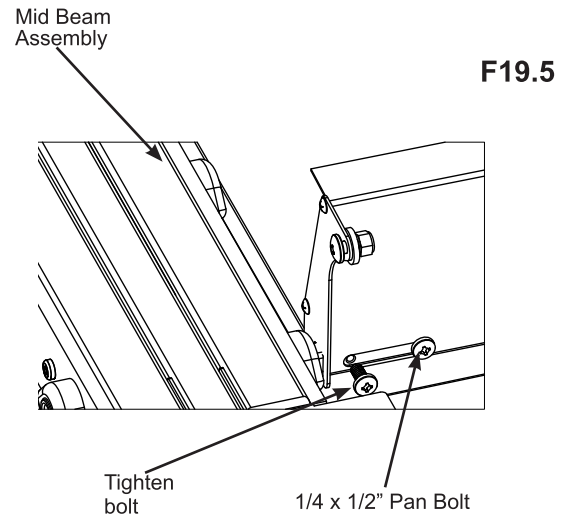
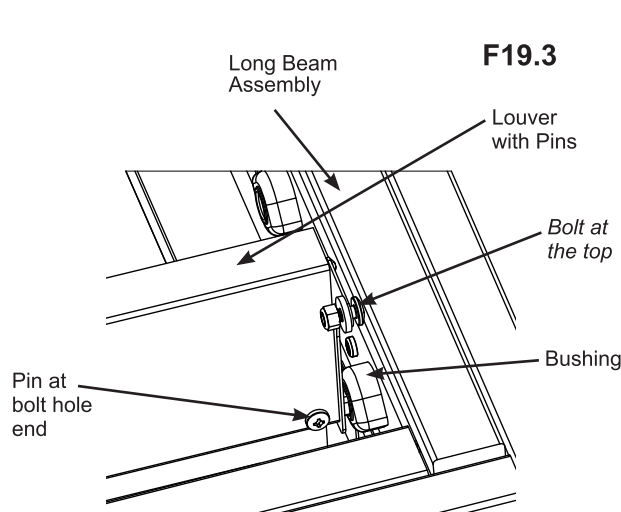
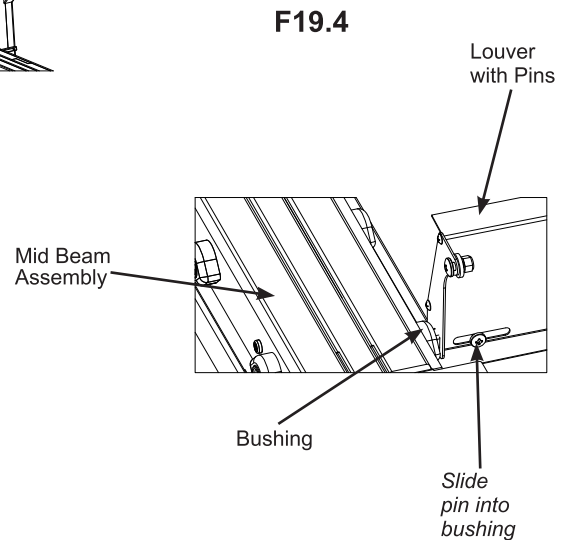
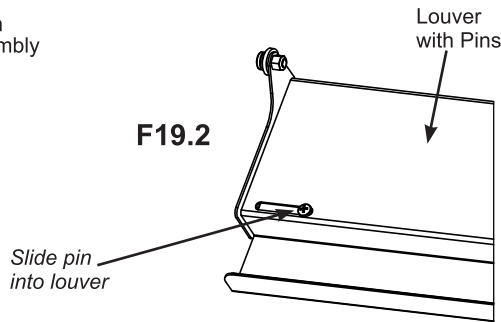
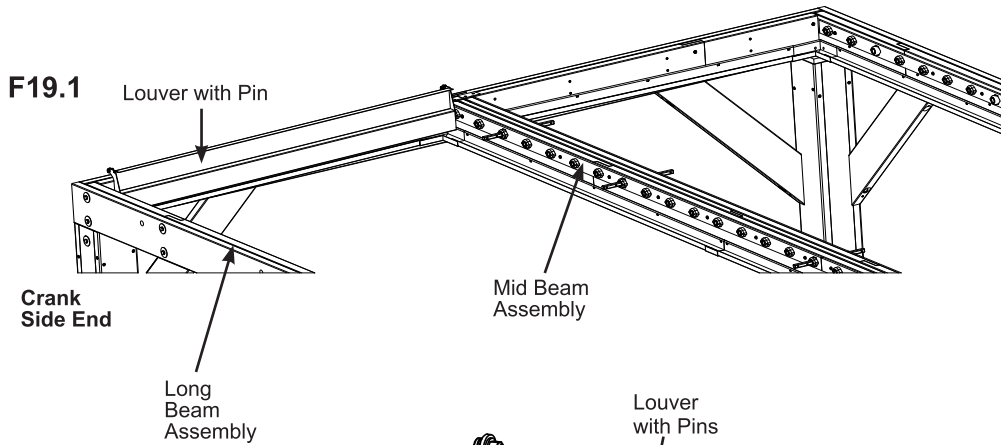
92 x 1/4 x 5/8" Pan Bolt
(1/4" nylon washer, 1/4" lock nut)

Step 19: Attach Louver Assemblies Part 1



A: Starting at the Crank End Side, with one Louver with pins, bolt at the top. Move the pin in the bolt slot end all the way into the Louver. Insert fully tightened pin at bolt hole end into first bushing on the Long Beam Assembly. (F19.1, F19.2 and F19.3)

B: Slide the pin on the bolt slot end out of the Louver and into the first bushing on the Mid Beam Assembly and tighten bolt. Attach one 1/4 x 1/2" Pan Bolt into Standard Pin through bolt slot. Both bolts should be tight. (F19.1, F19.4 and F19.5)



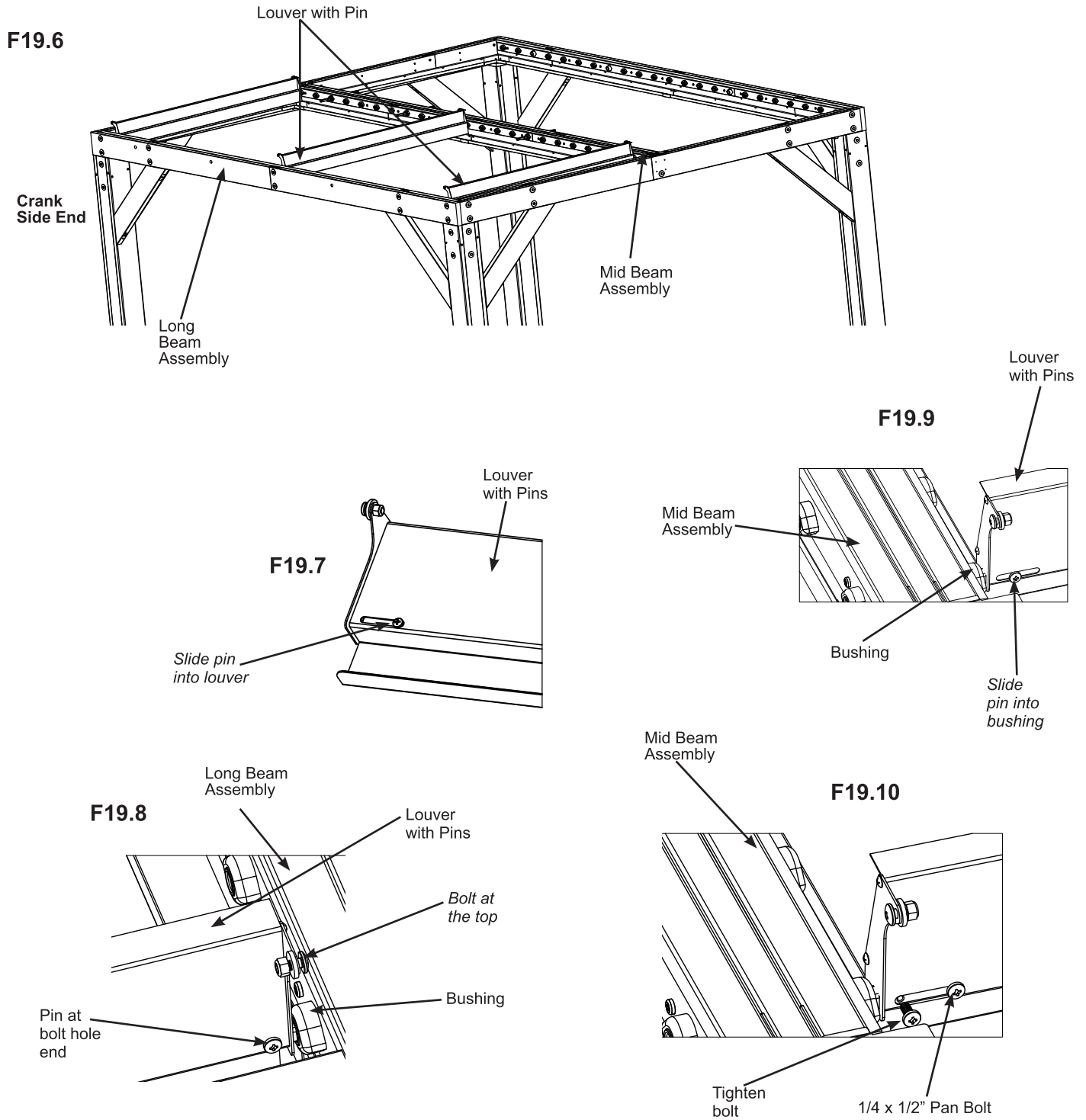
Hardware

2 x 1/4 x 1/2" Pan Bolt

Step 19: Attach Louver Assemblies Part 2



C: Repeat Steps A - B to install two Louvers with pins in the middle and last bushing (next to the Short Beam Assembly) (F19.6, F19.7, F19.8, F19.9 and F19.10)



Hardware

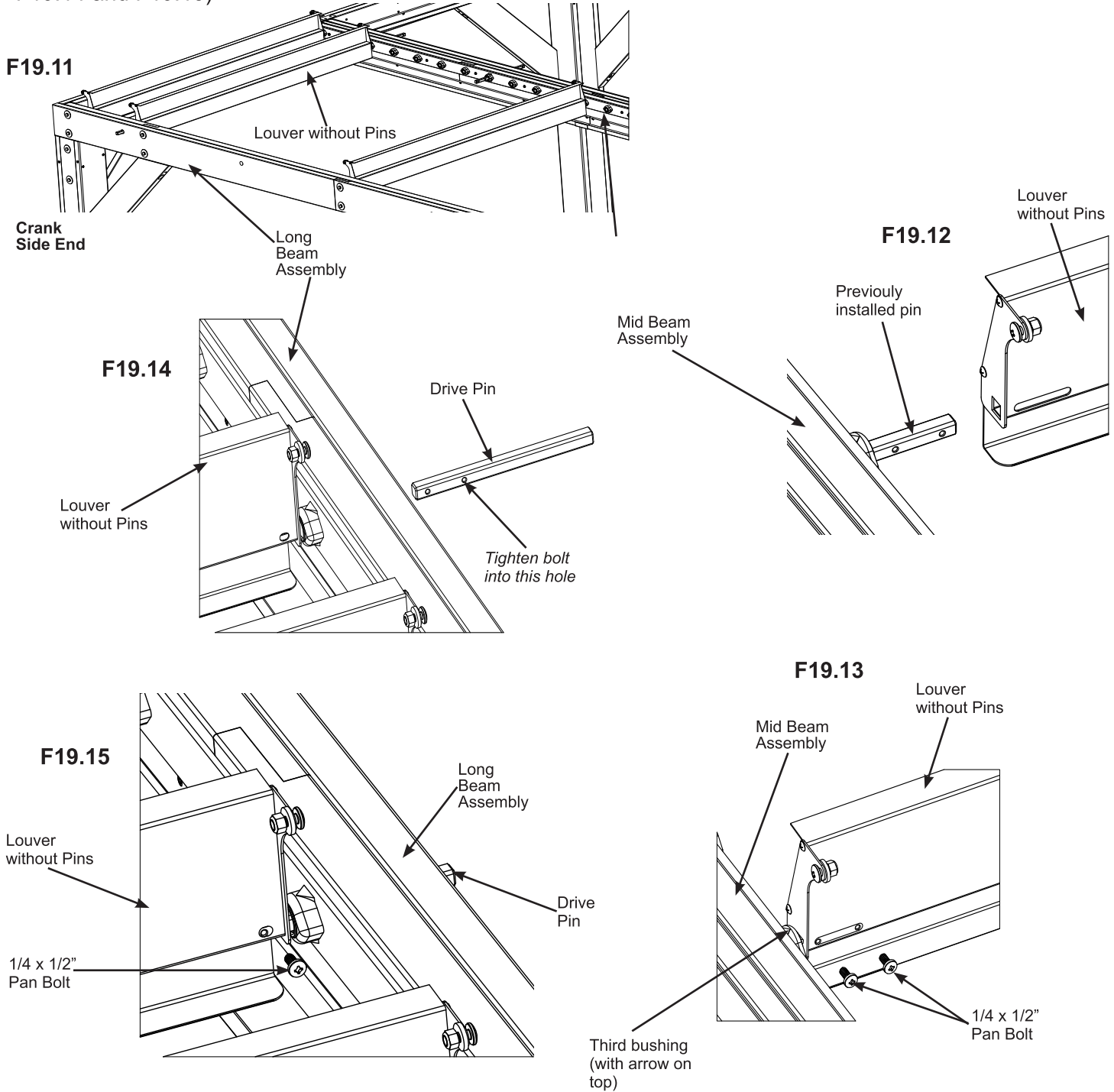
4 x 1/4 x 1/2" Pan Bolt

Step 19: Attach Louver Assemblies Part 3



D: At the third bushing place one Louver without pins so the end with the bolt slot fits over the pin previously installed on the Mid Beam Assembly. Attach with two 1/4 x 1/2" Pan Bolts. (F19.11, F19.12 and F19.13)

E: Through the outside of the Long Beam Assembly insert one Drive Pin through the bushing with the arrow on top and into the Louver without pins. Attach with one 1/4 x 1/2" Pan Bolt into second hole of Drive Pin. (F19.11, F19.14 and F19.15)



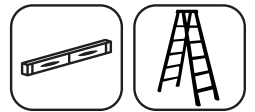
Components

2 x Drive Pin

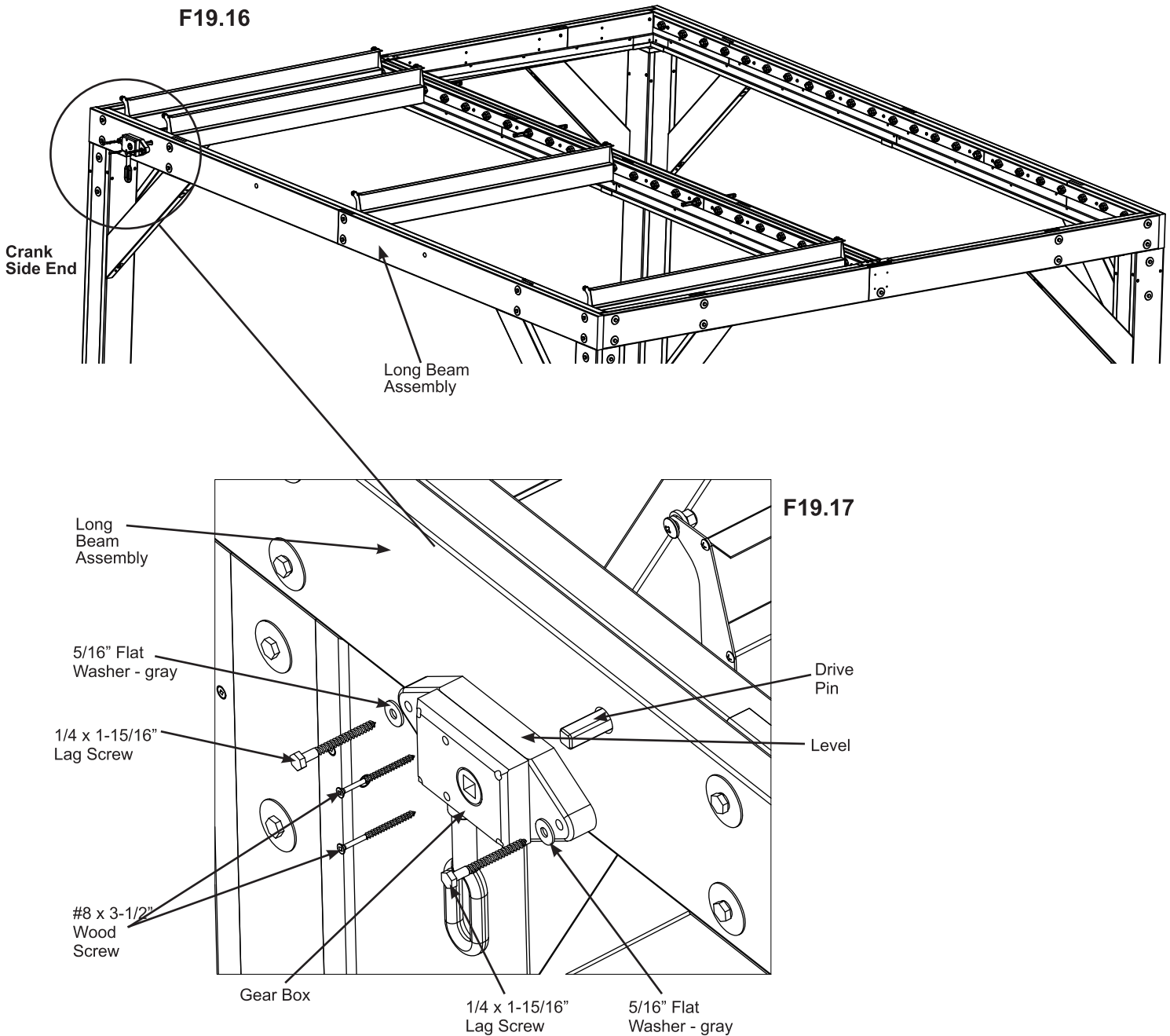
Hardware

6 x 1/4 x 1/2" Pan Bolt

Step 19: Attach Louver Assemblies Part 4



E: Place one Gear Box over the Drive Pin, make sure it is level then attach to Long Beam Assembly with two 1/4 x 1-15/16" Lag Screws (with 5/16" flat washer - gray) and two #8 x 3-1/2" Wood Screws. (F19.16 and F19.17)



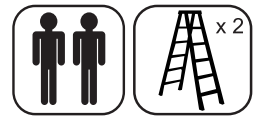
Components

2 x Gear Box

Hardware

4 x 1/4 x 1-15/16" Lag Screw (5/16" flat washer - gray)
4 x #8 x 3-1/2" Wood Screw

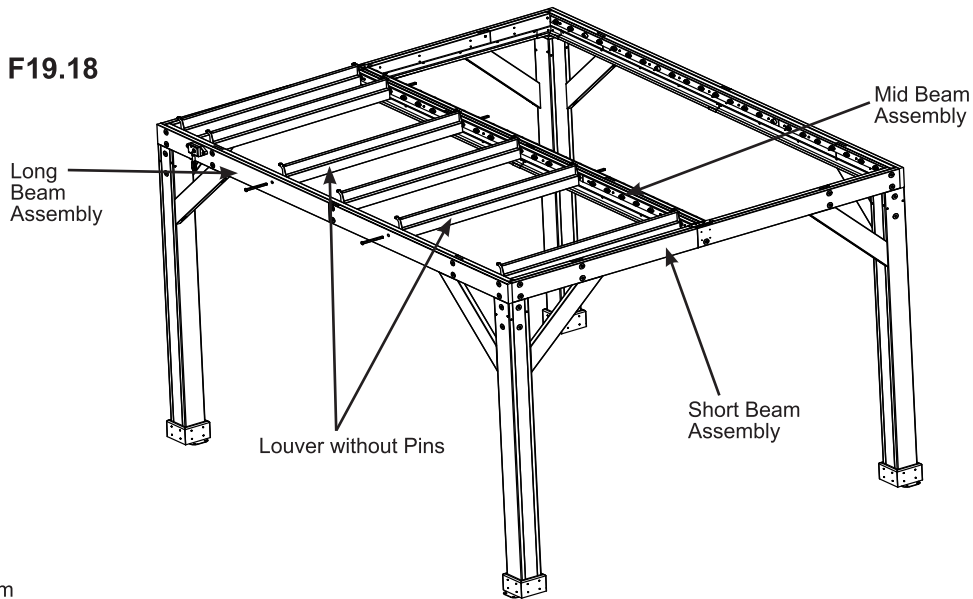
Step 19: Attach Louver Assemblies Part 5



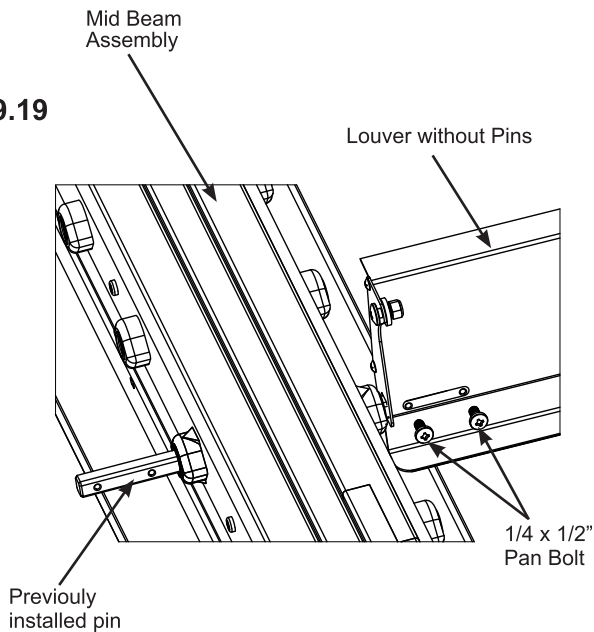
F: Place two Louvers without pins so the end with the bolt slot fits over the pins previously installed on the Mid Beam Assembly. Attach with two 1/4 x 1/2" Pan Bolts. (F19.18 and F19.19)

G: Through the outside of the Long Beam Assembly insert one Long Pin, per louver, through the bushing and into the Louver without pins. Attach with one 1/4 x 1/2" Pan Bolt. (F19.18 and F19.20)

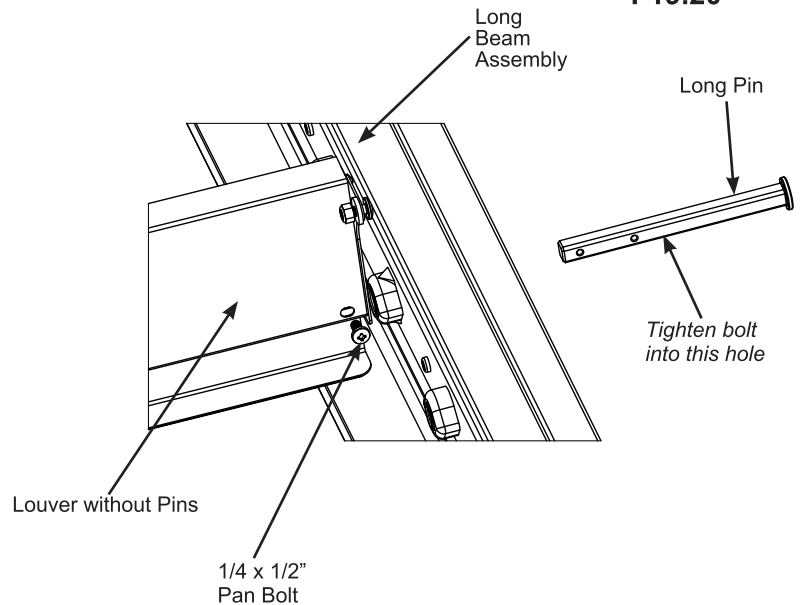
F19.18



F19.19



F19.20



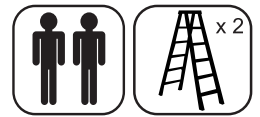
Components

4 x Long Pin

Hardware

12 x 1/4 x 1/2" Pan Bolt

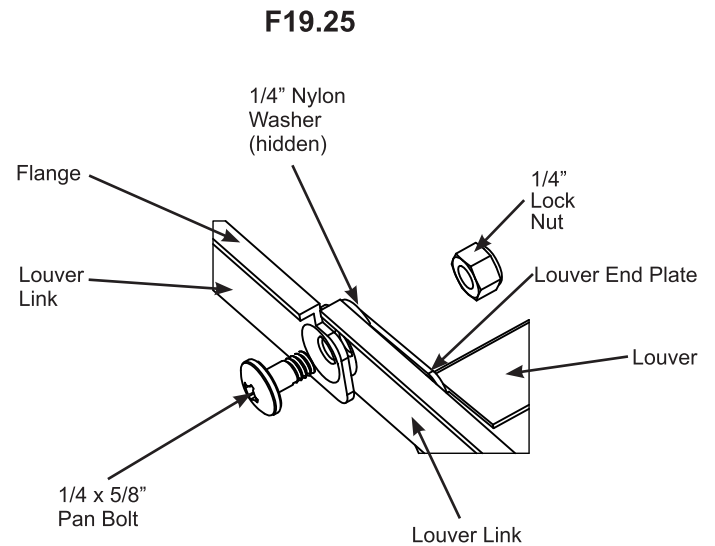
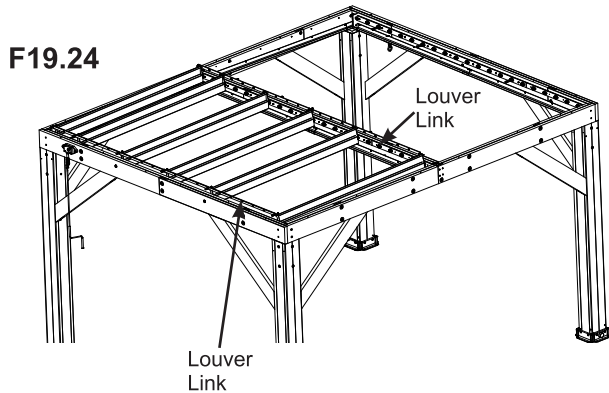
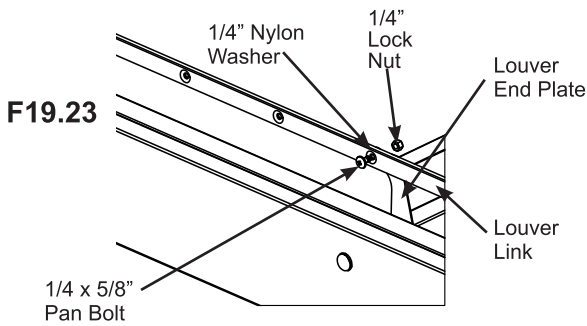
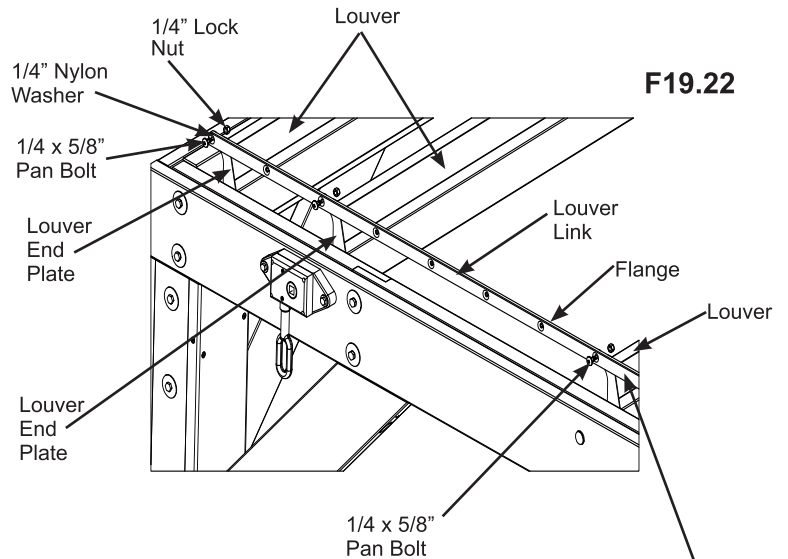
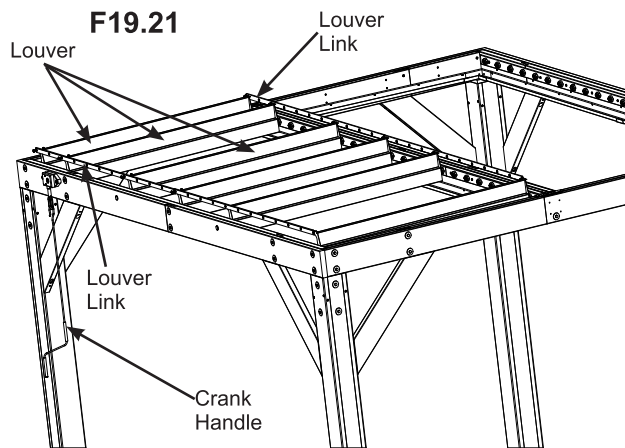
Step 19: Attach Louver Assemblies Part 6



H: Using the bolts, nylon washers and lock nuts previously attached to the tops of the Louver End Plates, connect one Louver Link to each end of the first three louvers. Lock nuts to be flush to end of bolt. The flange on the Louver Link to point away from Louvers. (F19.21, F19.22 and F19.23)

I: At the end of the Louver Link connect a second Louver Link to each end of the louver installed in Step C using the bolts, nylon washers and lock nuts previously attached to the tops of the Louver End Plates. Connect remaining louvers to Louver Links. (F19.18, F19.19 and F19.20)

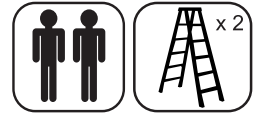
Crank Handle can be attached at this time.



Components

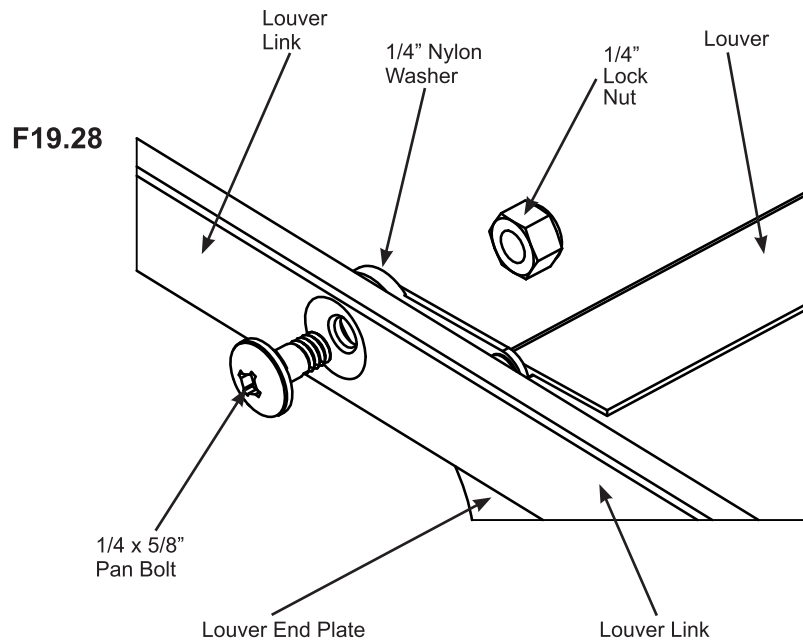
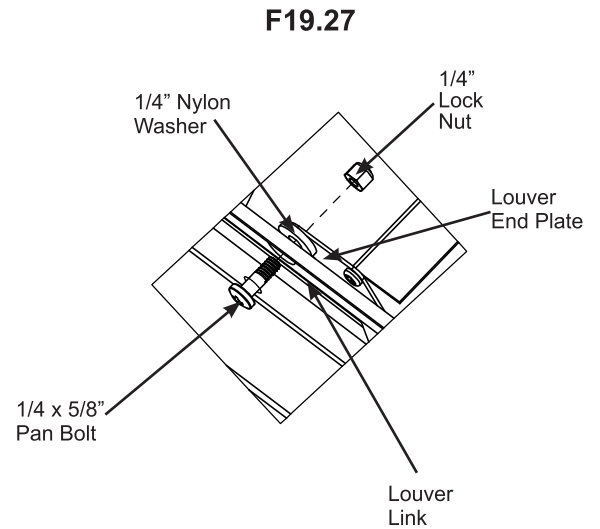
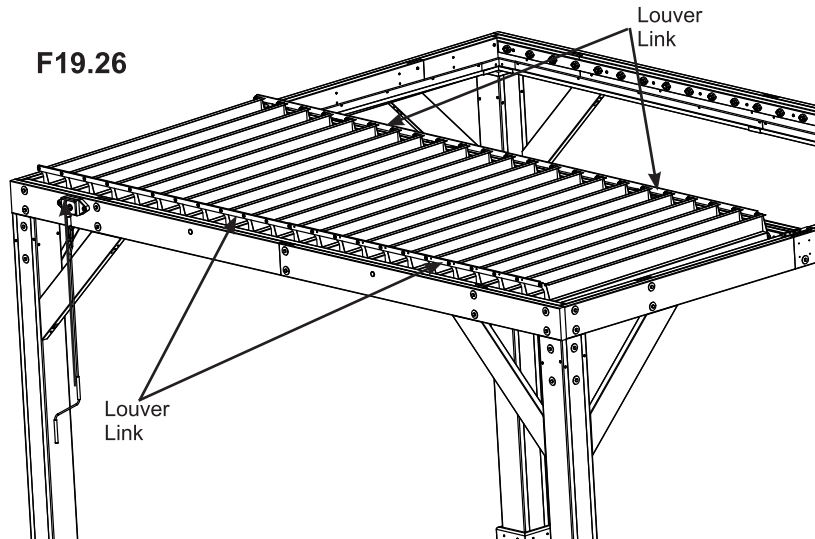
8 x Louver Link

Step 19: Attach Louver Assemblies Part 7



J: Attach 17 remaining Louvers with pins to the beams on this side of the assembly as described for the first in Steps A and B. (page 50)

K: Connect remaining louvers to Louver Links with previously attached bolts, nylon washer and lock nuts. (F19.26, F19.27 and F19.28)



Hardware

34 x 1/4x 1/2" Pan Bolt

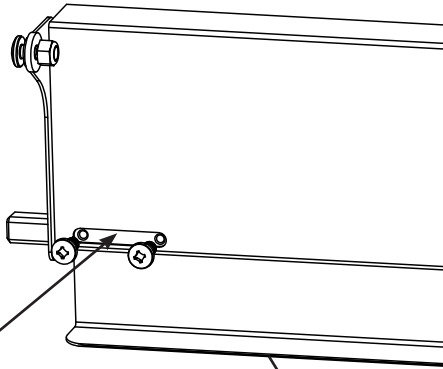
Step 20: Attach Louver Assemblies - Second Side



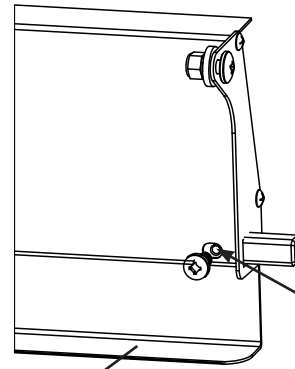
A: Repeat Step 19 (A - K) for the second side of the assembly.

B: When connecting the Louvers with and without pins for this side make sure end with bolt slot (2 bolts) is attached to the Long Beam Assembly and the end with the single bolt hole is attached to the Mid Beam Assembly. If they are not attached in this order they will not turn properly. (F20.1, F20.2 and F20.3)

F20.2



F20.3



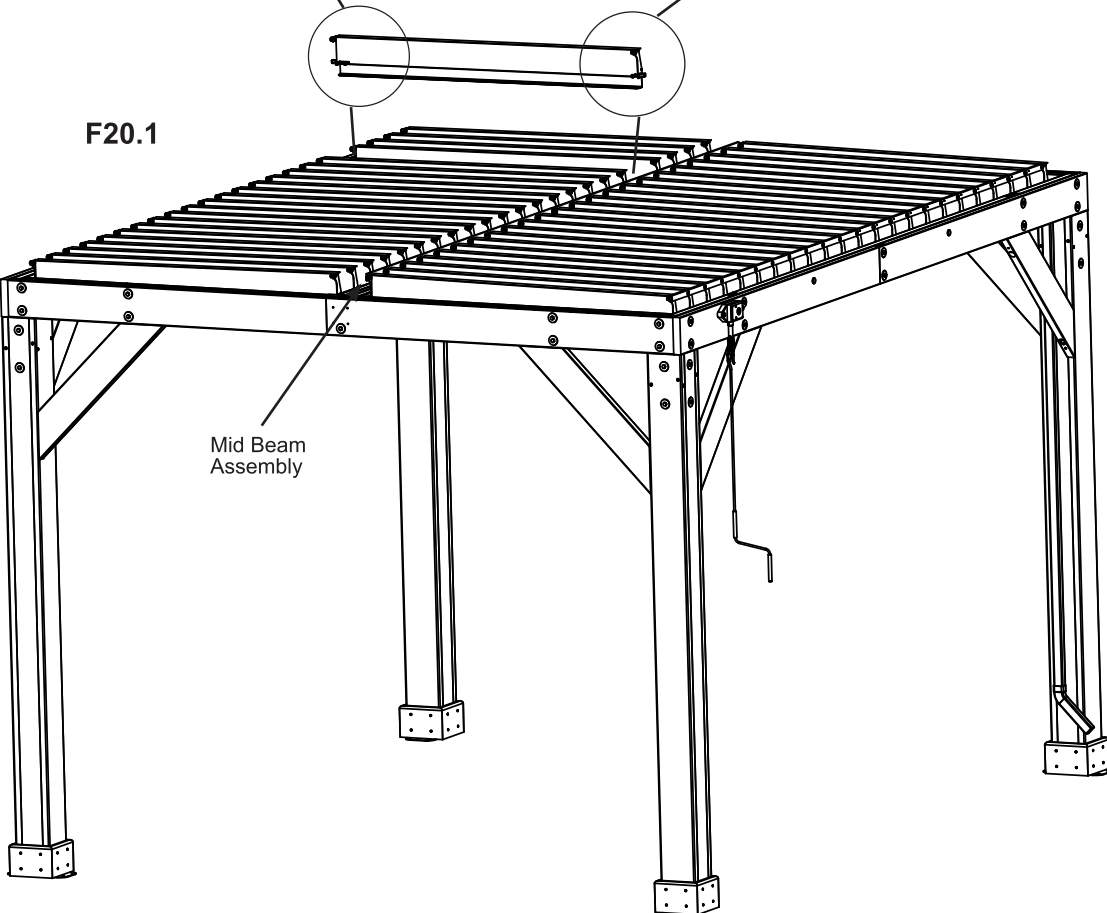
Bolt hole

Bolt slot

F20.1

Long
Beam
Assembly

Mid Beam
Assembly

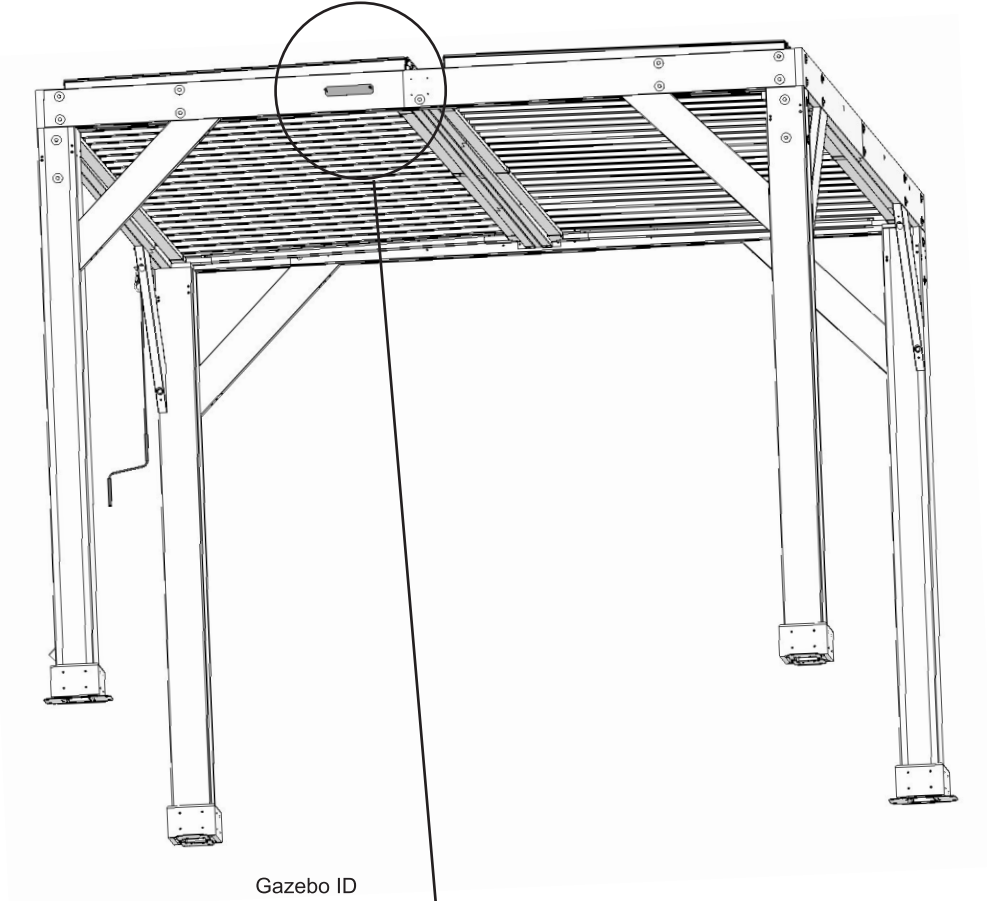


Step 21: Attach ID Plaque

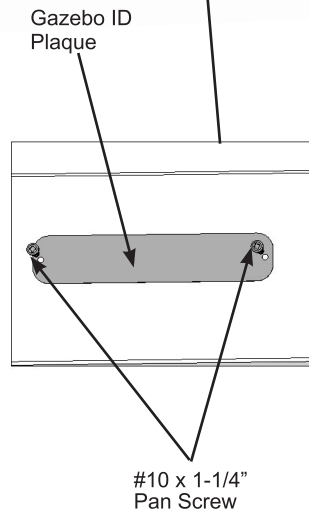


A: Attach Gazebo ID Plaque to a prominent location on your gazebo with two #10 x 1-1/4" Pan Screws. This provides warnings concerning safety and important contact information. A tracking number is provided to allow you to get critical information or order replacement parts for this specific model. (F21.1 and F21.2)

F21.1



F21.2



Components:

1 x Gazebo ID Plaque

Hardware

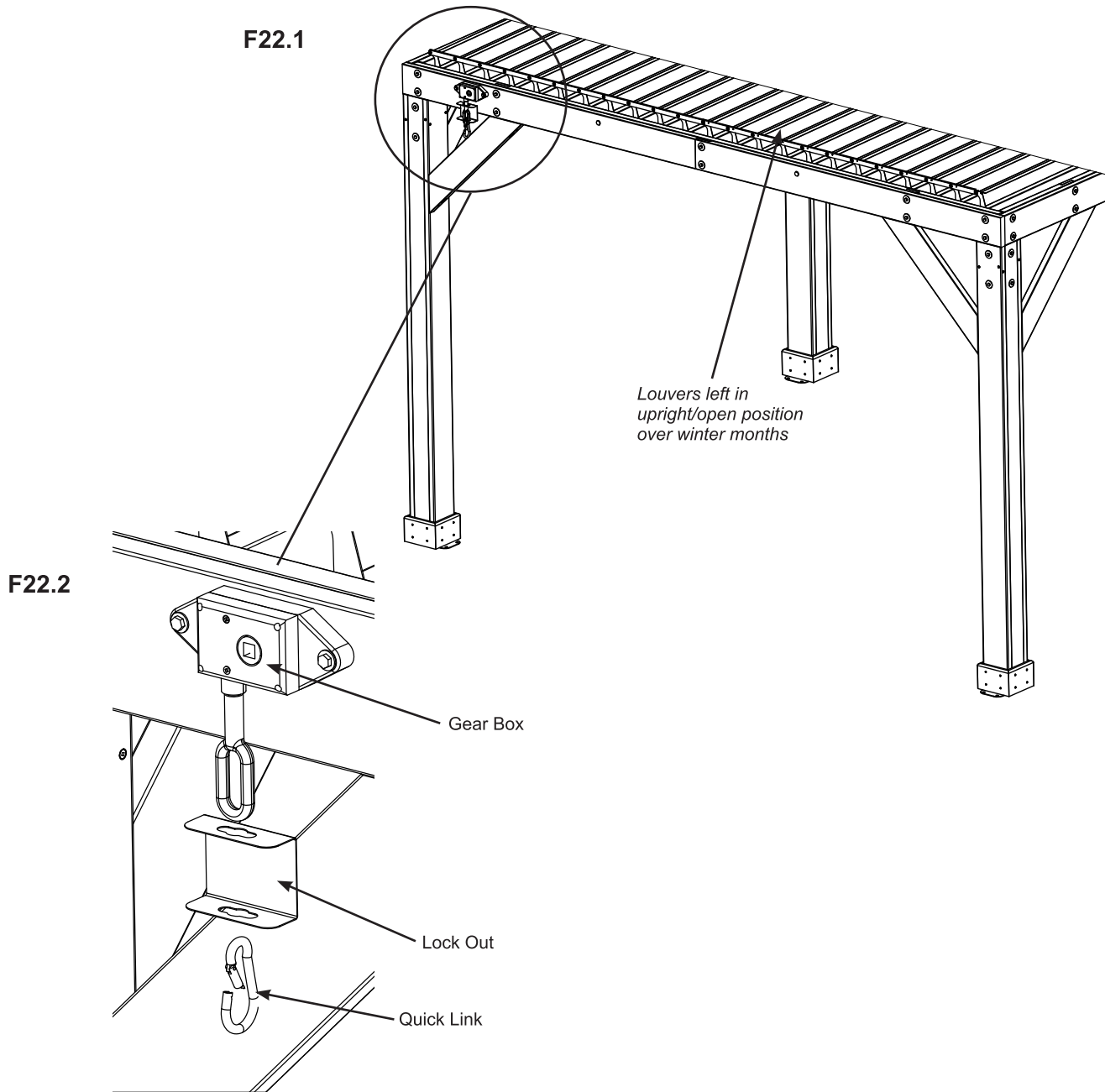
2 x #10 x 1-1/4" Pan Screw

Step 22: Gear Box Lockout and Winter Maintenance



A: To lock the Gear Box remove the Crank Handle then attach Lock Out to each Gear Box using the Quick Link to secure in place. (F22.1 and F22.2)

IMPORTANT! When preparing for high winds and/or winter conditions, turn the louvers to the open position (upright) then attach the Lock Out and Quick Link. This will prevent the structure from blowing over due to high winds and the louvers from breaking due to snow and ice loads. (F22.1 and F22.2)



Components:

- 2 x Lock Out
- 2 x Quick Link



Customer Registration Card - Tarjeta de Registro del Cliente - Carte d'inscription du client

| | | |
|-------------------------------------|------------------------------|---------------------------------------|
| First Name - Primer Nombre - Prénom | Initial - Inicial - Initiale | Last Name - Apellido - Nom de famille |
| | | |

| | | |
|----------------------|---|-----------------|
| Street - Calle - Rue | PO Box - Casilla postal - Boîte postale | Apt. No. - App. |
| | | |

| | |
|-----------------------|---|
| City - Ciudad - Ville | State/Province - Estado/Provincia - État/Province |
| | |

| | |
|---|-----------------------|
| ZIP/Postal Code - Código Postal - ZIP/Code postal | Country - País - Pays |
| | |

| | |
|---|--|
| E-mail Address - Dirección de E-mail - Adresse courriel | Telephone Number - No. de Teléfono - N° de téléphone |
| | |

| | |
|--|--|
| Model Name - Nombre del Modelo - Nom du modèle | Model Number (from front cover) - Número de Modelo (de la portada) - N° du modèle (page de couverture) |
| | |

| | |
|---|---|
| Date of Purchase - Fecha de Compra - Date d'achat (mm/dd/yyyy) (mm/dd/aaaa) (mm/jj/aaaa) | Place of Purchase - Comprado a - Lieu d'achat |
| | |

| |
|--|
| Comments - Comentarios - Commentaires: |
| |
| |
| |
| |

Mail To - Enviar por Correo a - Envoyer par courrier à:

Yardistry
375 Sligo Road West, PO Box 10
Mount Forest, Ontario, Canada, N0G 2L0
Attention: Consumer Relations
Atención a: Servicio de Atención al Cliente
À l'attention de: Service à la clientèle

Online Registration - Registro online - Enregistrement en ligne:

www.yardistrystructures.com/warranty

Hours/ Heures/ Horas: 8:30 am - 5:00 pm EST
(excl. holidays/ hors jours fériés/ excepto los días festivos)

English and French Spoken / Anglais et français parlés / Inglés y francés hablado

Yardistry would like to say "Thank you" for your time and feedback.

Yardistry quiere "Agradecerle" por su tiempo y su opinión.

Yardistry aimerait vous remercier d'avoir pris le temps de répondre au sondage.