



# Artus™

## Narrow Profile Smart Lock

The Schlage Artus smart lock is designed with versatility to suit various door profiles, with a 30mm backset for narrow stiles, as well as 40mm and 60mm backset options.

The Schlage Artus provides a simple keyless solution with access via keypad, Bluetooth, or key tags. It seamlessly integrates with the Schlage Breeze app, to easily manage and monitor the lock via a mobile phone.



## Features

- Simple access including keypad, app, key tags or back-up key
- Easy to set up and program using the Schlage Breeze app, program access codes for temporary or recurring visitors
- Send virtual keys to guests, via text message from the Schlage Breeze app
- Use voice commands via Amazon Alexa or Google Assistant
- Firmware updates through the app ensure future compatibility
- Convenience of passage or auto locking modes for easy access
- Built-in alarm technology senses potential security breaches at the lock
- Audit trail allows you to see who has used the lock and when
- Random PIN number function protects your entry code
- With remote access via the Schlage Wi-Fi Bridge (BZ100), send access codes to guests or be alerted if your lock has been tampered with
- Low battery notification offers weeks of advanced warning for battery replacement

Warranties	
Mechanical	2 years
Finish	<a href="http://allegion.co.nz/finisheswarranty">allegion.co.nz/finisheswarranty</a>
Electronic	2 years

# Technical specifications

## Hardware Specification

Materials	304SS body and lever
Finishes	Satin Nickel Plate or Matt Black
Keypad	12 keys with individual LED illumination
Feedback	Voice guidance, audible tones and LED indicators
Lock type	Mortice lock included
Temperature range	-30°C to 55°C
Humidity	0 to 95%, non condensing
Suitable environment	Recommended for aluminium or timber
Batteries	4x 1.5V AA alkaline batteries
Battery life	Approximately 1 year (10 uses per day)
Door thickness	35-60mm
External body dimensions	314mm x 43mm x 54mm (L x W x D)
Internal body dimensions	314mm x 43mm x 54mm (L x W x D)

## Access Specification

Access methods	Keypad, key tag, Bluetooth app, or Wi-Fi via bridge
Bluetooth app	Schlage Breeze
Key override	Override cylinder with 2 keys
Number of users	500
Key tags	Up to 200 (3x tags included)
PIN code	Up to 150
PIN code length	4-9 digits
Verification time	<1s

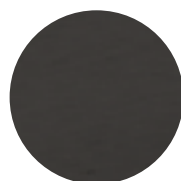
## Lock Functions

Low battery alarm	Yes
Built-in alarm technology	Yes
Incorrect PIN code lockout alarm	Yes
Passage mode	Yes (via app)
One-time password	Yes
Remote unlocking	Yes (via Schlage Wi-Fi Bridge BZ100)
Generate random PIN codes remotely	Yes
Create custom PIN codes remotely	Yes (via Schlage Wi-Fi Bridge BZ100)
Bluetooth app	Yes (required for setup)

## App Specification (Schlage Breeze)

Platform	iPhone (iOS 9.0 and above) Android (4.4 and above)
Languages	English, Japanese, Korean, French, Dutch, Italian, Spanish, German, Portuguese, Polish, Russian, Vietnamese, Arabic, Slovak, Serbian, Malay, Hungarian, Czech, Hebrew, Simplified Chinese, Traditional Chinese (Hong Kong), Traditional Chinese (Taiwan)
Device management	Add, modify, remove, check status
Functions	Lock/unlock, send mobile credentials, add users, and check audit trail

## Finishes



### Black/MB

Black/Matt  
Black



### SNP

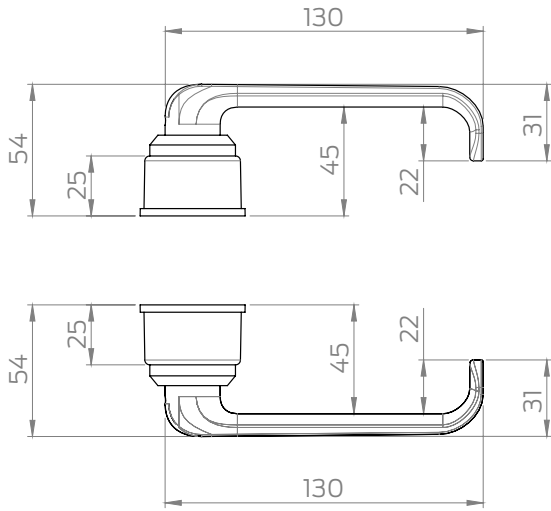
Satin Nickel  
Plate

## Testing and Compliance



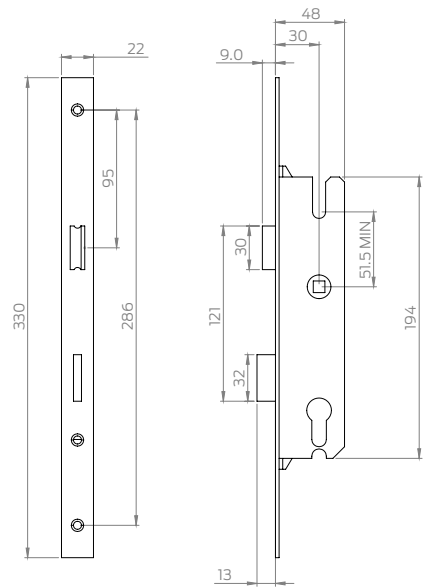
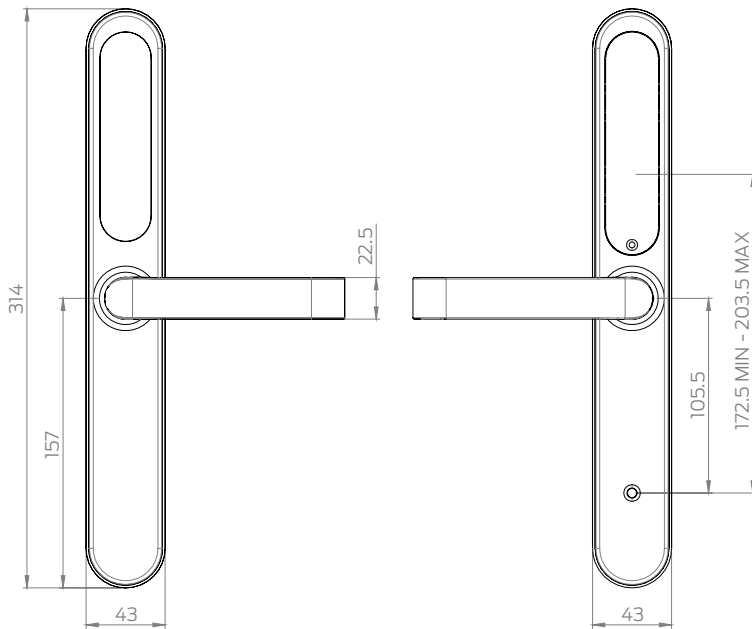
**Accessibility:**  
Compliant to the AS 1428:1-2009 Design for Access and Mobility

# Schlage Artus



External lock body

Internal lock body



# Schlage Artus Accessories

## Schlage Wi-Fi Bridge BZ100

<b>Compatible with</b>	Schlage Artus, Schlage Omnia, and Schlage eGO Smart Locks
<b>Model</b>	Schlage Wi-Fi Bridge (BZ100)
<b>Dimensions</b>	70mm x 70mm x 26mm
<b>Network</b>	Wi-Fi 2.4GHz
<b>IEEE standard</b>	802.11 b/g/n
<b>Power interface</b>	Type-C USB
<b>Power input</b>	5V/500mA
<b>Warranty</b>	1 year

