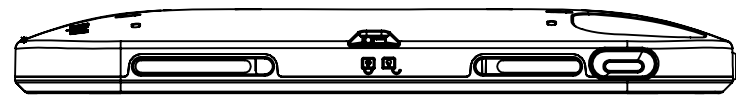


8 7 6 5 4 3 2 1

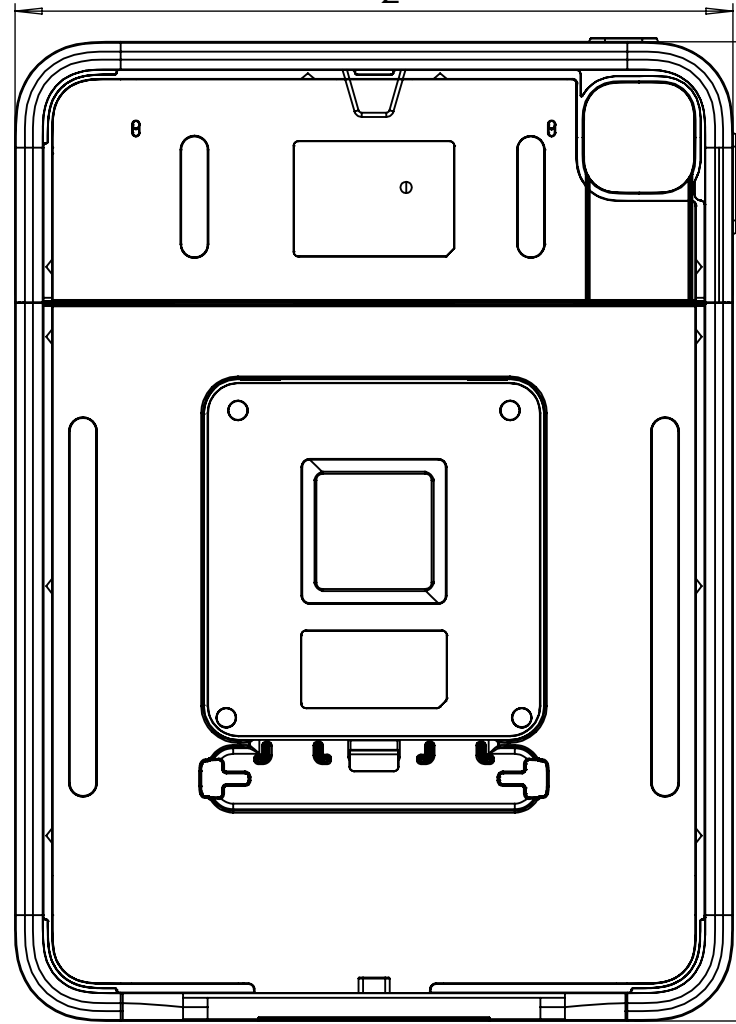
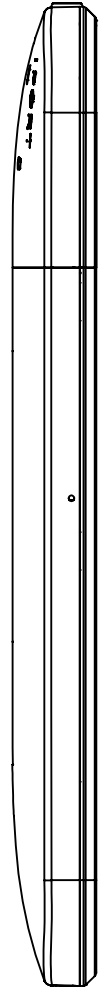
D



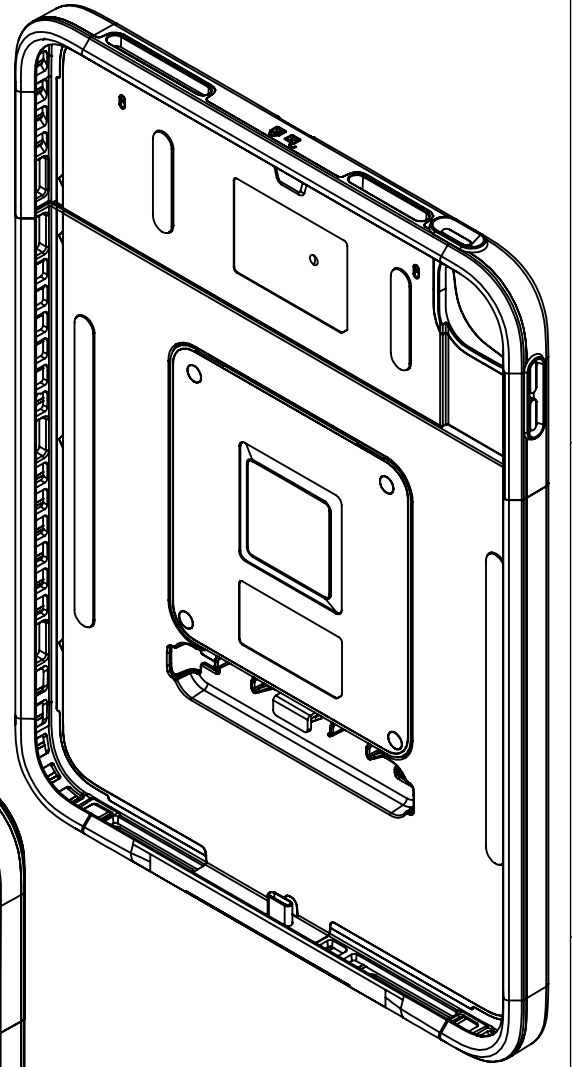
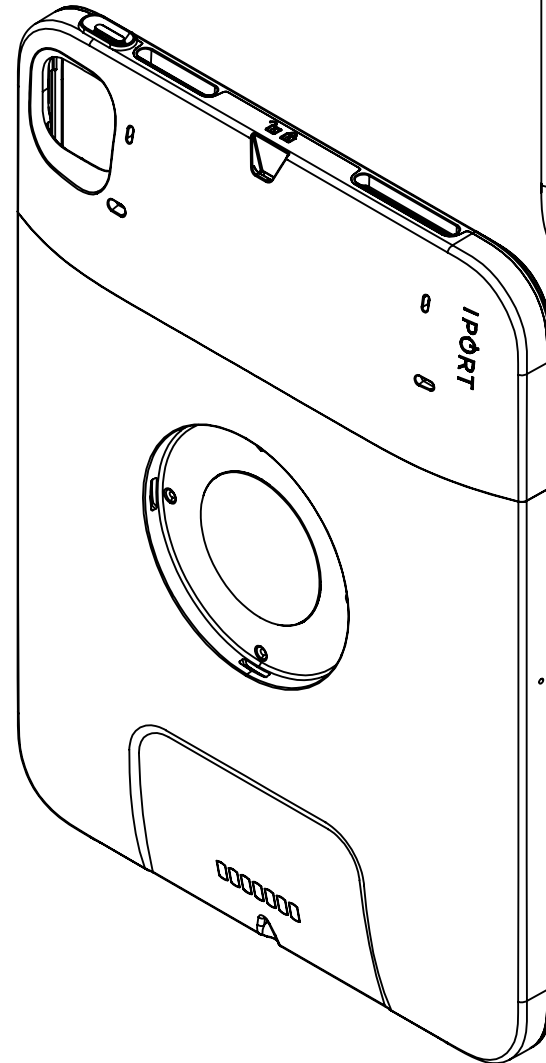
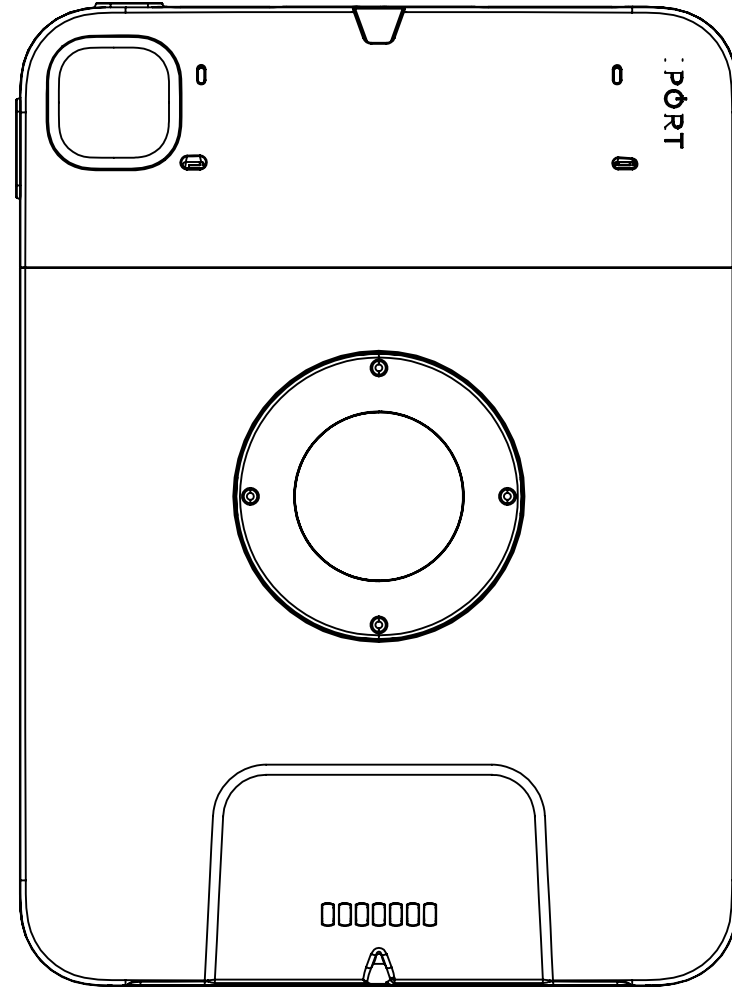
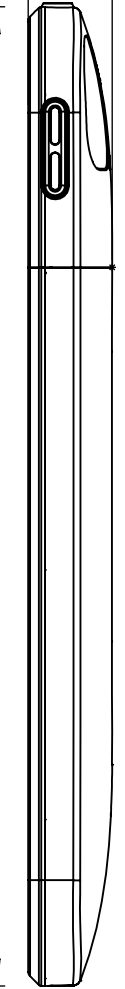
[189.97]
7 1/2"

[22.20]
7/8"

C



[259.09]
10 3/16"



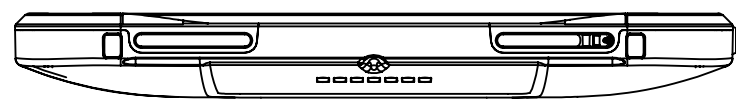
D

C

B

B

A



8 7 6 5 4 3 2 1




DANA INNOVATIONS

TITLE: **72449 CONNECT CASE 10 GEN V3**

SIZE	DWG. NO.	REV
B		A

SCALE: 1:2 WT: SHEET 1 OF 1

A