

Features

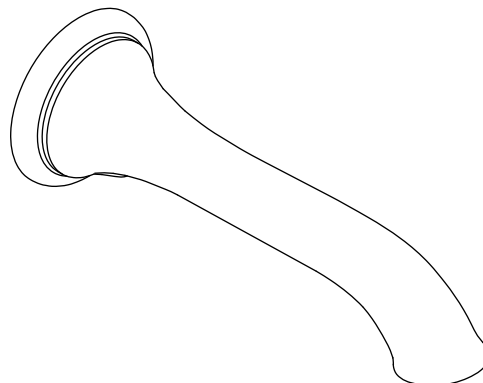
- Metal construction

Installation

- Wall-mount installation with slip-fit connection and NPT threads

Recommended Products/Accessories

- K-72567 18" Towel Bar
- K-72568 24" Towel Bar
- K-72570 24" Double Towel Bar
- K-72571 Towel Ring
- K-72572 Robe Hook
- K-72573 Pivoting toilet paper holder
- K-72576 Toilet paper carriage



Codes/Standards

ASME A112.18.1/CSA B125.1

KOHLER® Faucet Lifetime Limited Warranty

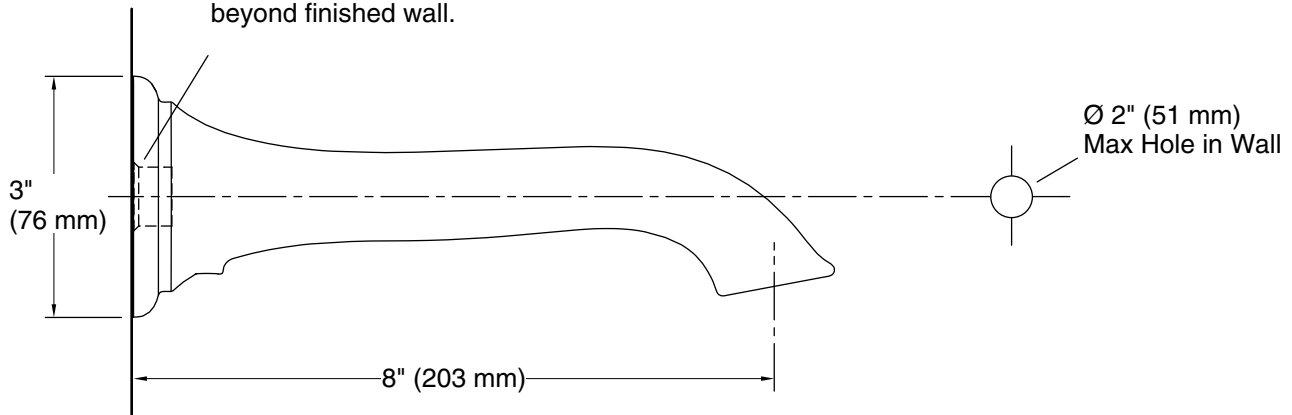
See website for detailed warranty information.

Available Colors/Finishes

Color tiles intended for reference only.

Color	Code	Description
	CP	Polished Chrome
	SN	Vibrant® Polished Nickel
	AF	Vibrant® French Gold
	BN	Vibrant® Brushed Nickel
	BV	Vibrant® Brushed Bronze
	2MB	Vibrant® Brushed Moderne Brass
	TT	Vibrant Titanium
	DR	Deep Bronze

For slip-fit spout, 5/8" OD tube
must extend 2-1/2" (64 mm)
beyond finished wall.
For threaded spout, 1/2" NPT pipe
must extend 1-3/4" (44 mm)
beyond finished wall.



Technical Information

All product dimensions are nominal.

Spout:

Spout reach: 8" (203 mm)

Notes

Install this product according to the installation instructions.