

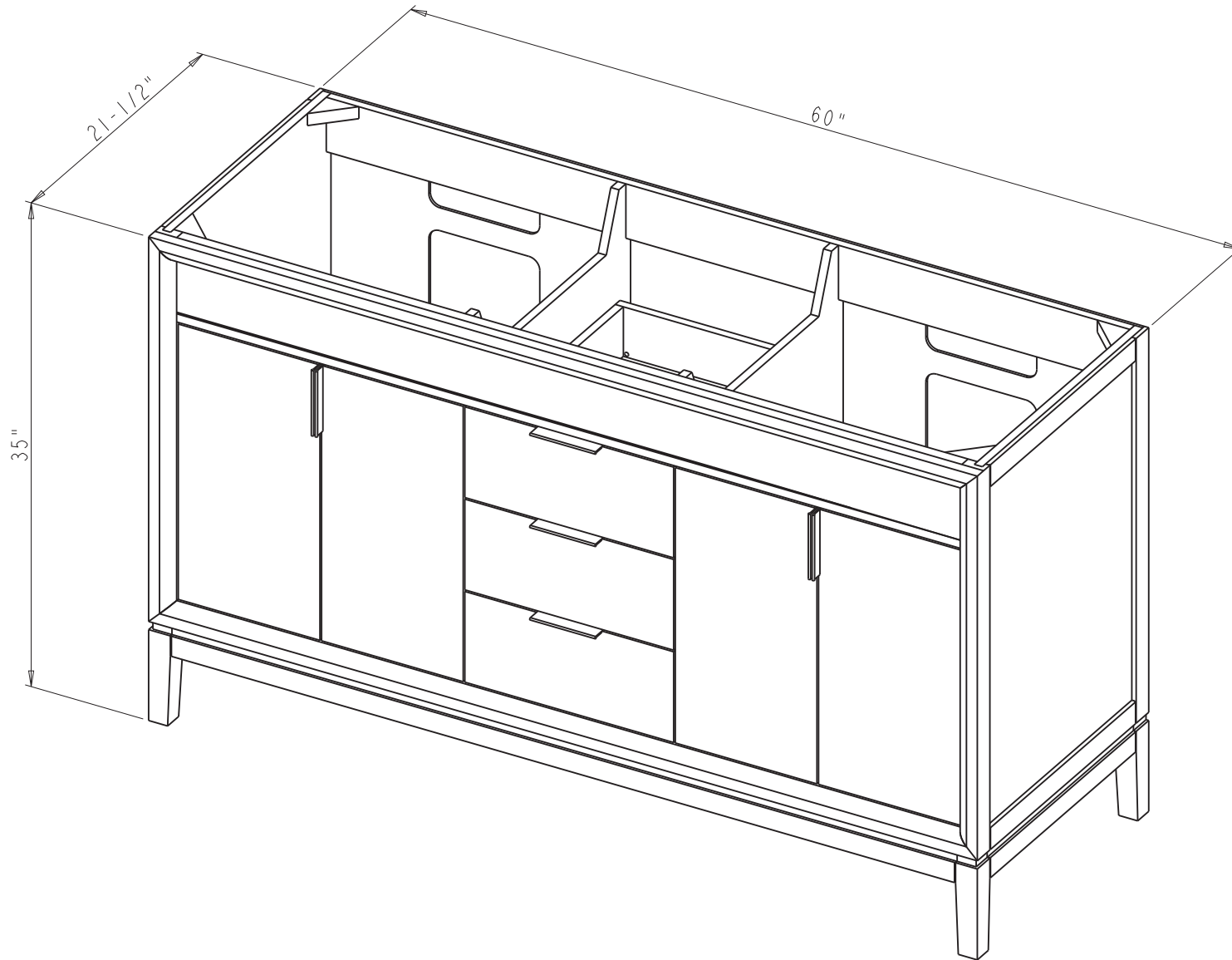
ADJUSTABLE-SHELF


Specification:

1. Material: MDF + Plywood + Birch
2. Finish: See Table
3. Hardware: See Table
4. Slides: USE58-300-18 + US-CLIP-4W (5 Set)
5. Hinge: 700.0537.25 + 600.1234.05 (4 Set)
700.0536.25 + 600.1234.05 (4 Set)
6. Shelf Supports: 1707BN (4 PCS)
7. The tolerance is +/- 1/8"

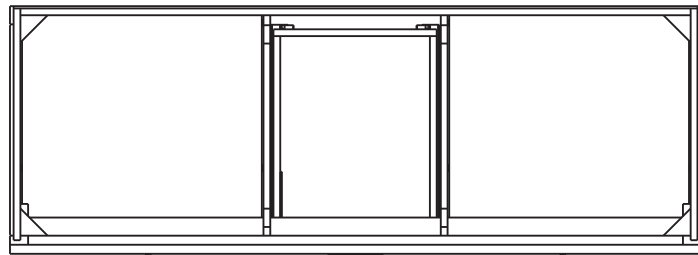
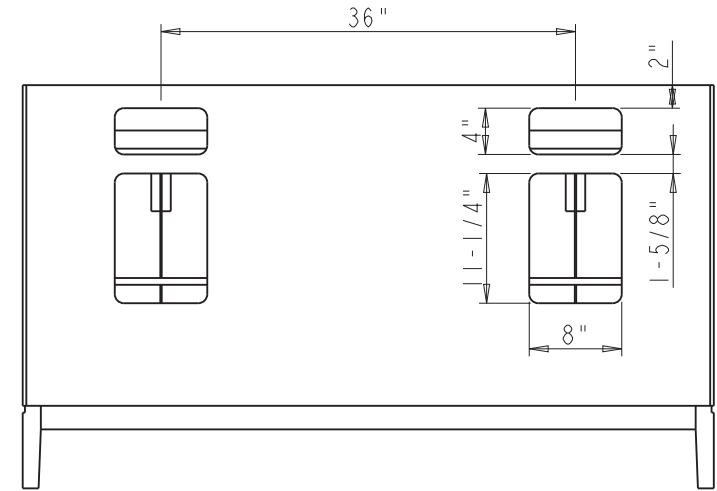
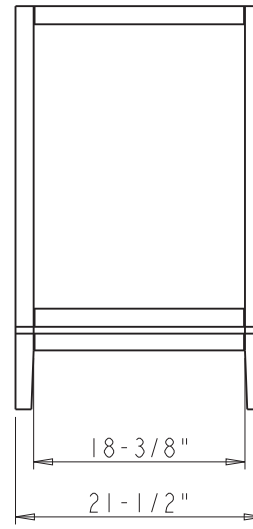
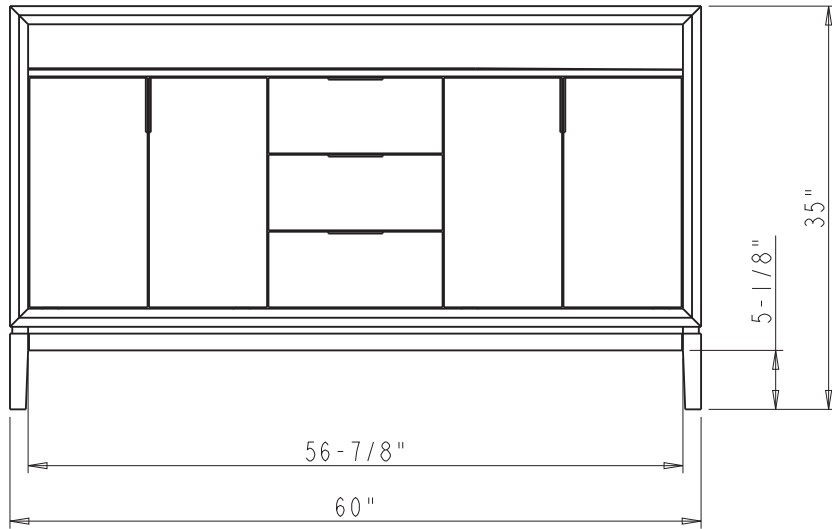
| Item number | Finish | Deco Hardware | |
|-----------------|-------------|---------------|-----|
| | | Item number | Qty |
| VN2THE-60-BK-NT | Black | A500-4PC | 7 |
| VN2THE-60-BL-NT | Blue | A500-4ABG | 7 |
| VN2THE-60-BS-NT | Bule Steel | A500-4PC | 7 |
| VN2THE-60-GR-NT | Grey | A500-4PC | 7 |
| VN2THE-60-WH-NT | White | A500-4PC | 7 |
| VN2THE-60-DW-NT | Dark Walnut | A500-4ABG | 7 |
| VN2THE-60-NO-NT | Natural Oak | A500-4MB | 7 |

| | | | | | |
|--|--|----------------|-----------|--------------|-------|
| <p>hardware resources</p> <p><small>PROPRIETARY AND CONFIDENTIAL</small></p> <p><small>THE INFORMATION CONTAINED IN THIS DRAWING IS THE SOLE PROPERTY OF HARDWARE RESOURCES INC. ANY REPRODUCTION IN PART OR AS A WHOLE WITHOUT THE WRITTEN PERMISSION OF HARDWARE RESOURCES INC. IS PROHIBITED.</small></p> <p><small>DO NOT SCALE DRAWING</small></p> | ITEM: | VN2THE-60 | MATERIAL: | | |
| | FINISH: | | WEIGHT: | 9 | |
| | TOLERANCE UNLESS OTHERWISE SPECIFIED: | | UNITS: | DRAWN BY: | DATE: |
| | X ±0.20 X.X ±0.10 X.XX ±0.05 ANGULAR: ±0.5° | | SIZE: | APPROVED BY: | DATE: |
| SHEET: | | RELEASE LEVEL: | REVISION: | | |



| | | | | | |
|---|---|--------|----------------|--------------------------------|--------------------|
|  PROPRIETARY AND CONFIDENTIAL THE INFORMATION CONTAINED IN THIS DRAWING IS THE SOLE PROPERTY OF HARDWARE RESOURCES INC. ANY REPRODUCTION IN PART OR AS A WHOLE WITHOUT THE WRITTEN PERMISSION OF HARDWARE RESOURCES INC. IS PROHIBITED. | ITEM#: VN2THE - 60 | | MATERIAL: | | |
| | FINISH: | | WEIGHT: 9 | | |
| | TOLERANCE UNLESS OTHERWISE SPECIFIED: X ±0.20 X.X ±0.10 X.XX ±0.05 ANGULAR: ±0.5° | | UNITS: | DRAWN BY: <i>Tony.Huang</i> | DATE: May-20-21 |
| | DO NOT SCALE DRAWING | | SIZE: | APPROVED BY: | DATE: |
| | | SHEET: | RELEASE LEVEL: | REVISION: | |





| | | | | | | |
|---|---|--|--------------------------------|--|--------------------|--|
| | ITEM#: VN2THE - 60 | | MATERIAL: | | | |
| | FINISH: | | WEIGHT: | | | |
| <p>PROPRIETARY AND CONFIDENTIAL</p> <p>THE INFORMATION CONTAINED IN THIS DRAWING IS THE SOLE PROPERTY OF HARDWARE RESOURCES INC. ANY REPRODUCTION IN PART OR AS A WHOLE WITHOUT THE WRITTEN PERMISSION OF HARDWARE RESOURCES INC. IS PROHIBITED.</p> <p>DO NOT SCALE DRAWING</p> | UNITS: | | DRAWN BY: <i>Tony.Huang</i> | | DATE: May-20-21 | |
| | TOLERANCE UNLESS OTHERWISE SPECIFIED: X ±0.20 X.X ±0.10 X.XX ±0.05 ANGULAR: ±0.5° | | SIZE: | | APPROVED BY: | |
| | SHEET: | | RELEASE LEVEL: | | REVISION: | |
| | PROJECTION | | | | 9 | |