
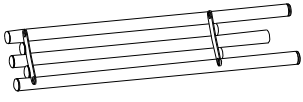



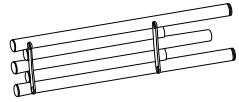
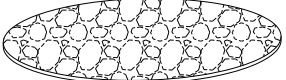

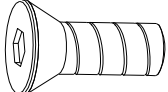
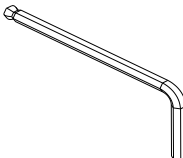

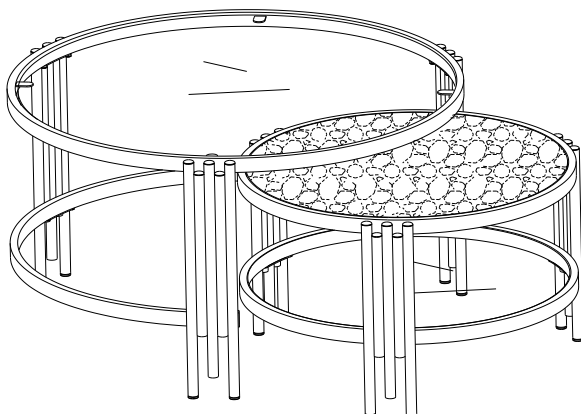


ASSEMBLY INSTRUCTION

TEXTURED METALLIC MIRROR & GLASS TOP NESTING COFFEE TABLE WITH GLASS SHELF

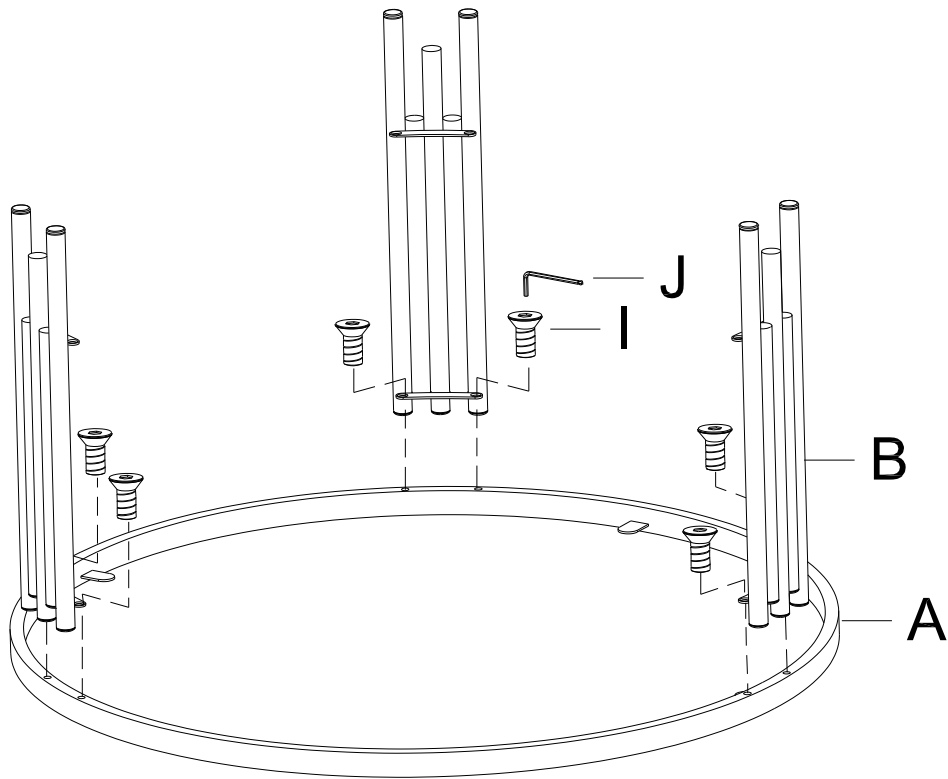
A Large Table Frame	B Large Table Leg	C Large Table Stretcher
		
1pc	3pcs	1pc
D Large Table Glass Top	E Small Table Frame	F Small Table Leg
		
1pc	2pcs	3pcs
G Small Table Mirror Top	H Small Table Glass Shelf	I Bolt
		
1pc	1pc	24pcs
J Allen Wrench	K Glass Pad	
1/4"	Φ10mm x 1mm	
		
1pc	12pcs	



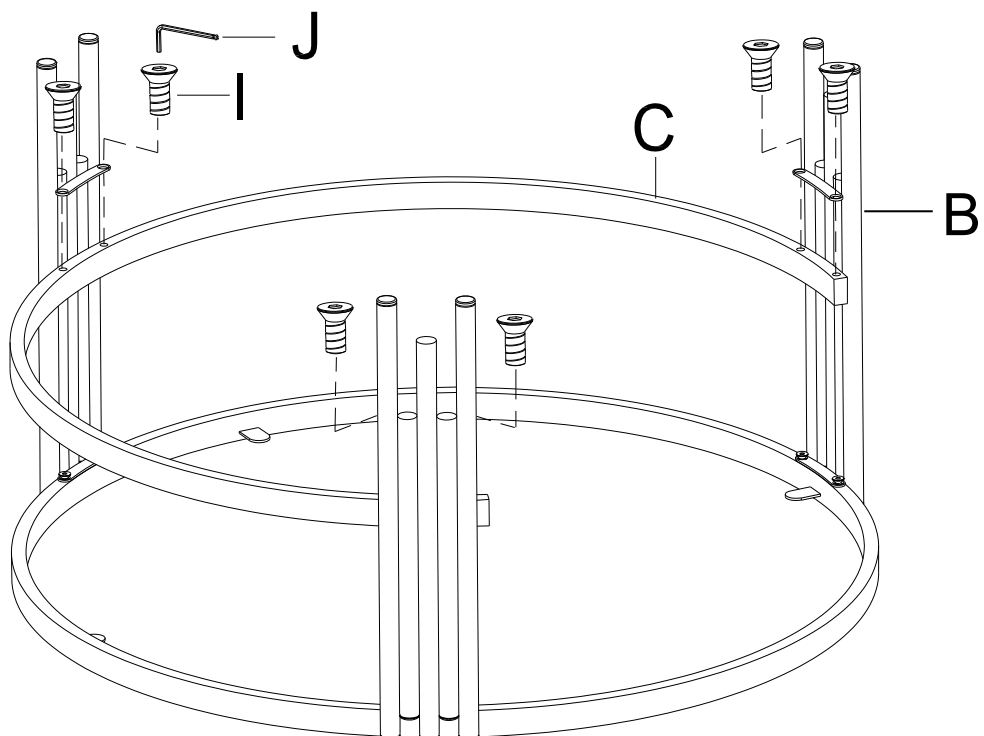
This page lists all the contents included in the box. Please take the time to identify the hardware as well as the individual components to this product. As you unpack and prepare for assembly, place the contents on a carpeted or padded area to protect them from damage.

***** Do not tighten screws & bolts until the entire unit is completely assembled.**

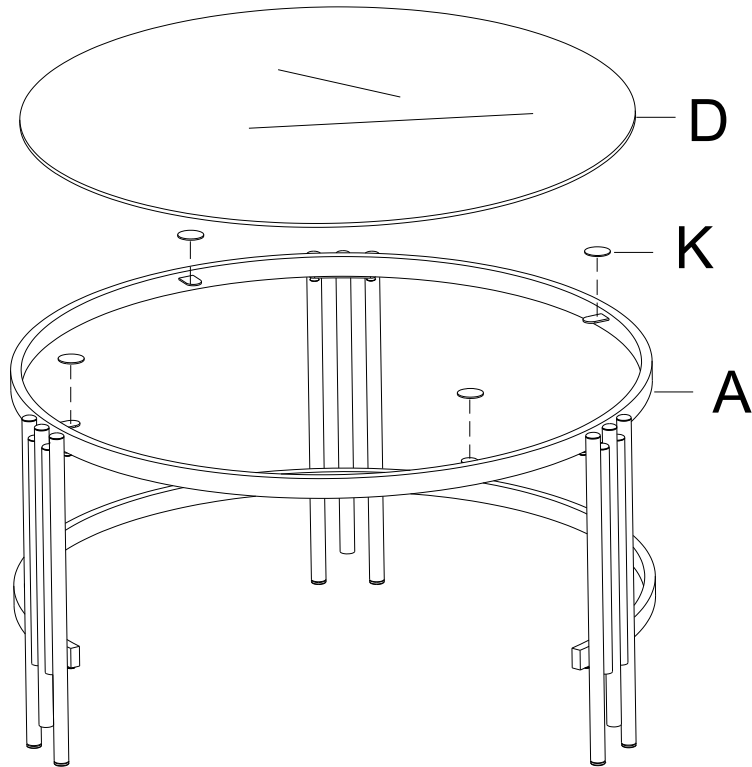
- 1** Attach the Large Table Leg (B) to the Large Table Frame (A) using Bolt (I) with Allen Wrench (J).



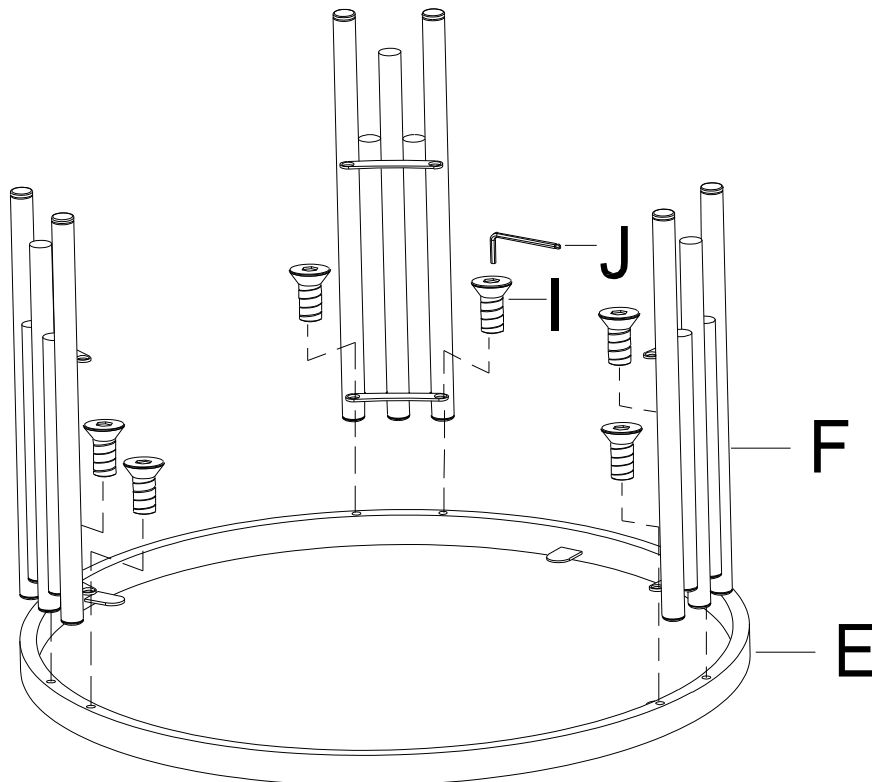
- 2** Attach the Large Table Stretcher (C) to the Large Table Leg (B) using Bolt (I) with Allen Wrench (J).



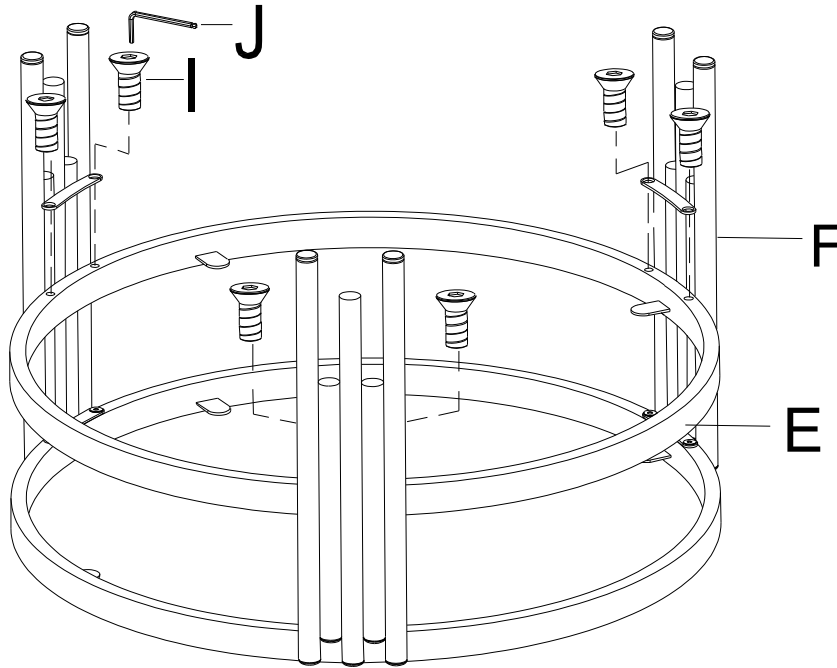
3 Stand the assembled unit upright. Place Glass Pad (K) and the Large Table Glass Top (D) on the Large Table Frame (A) as shown.



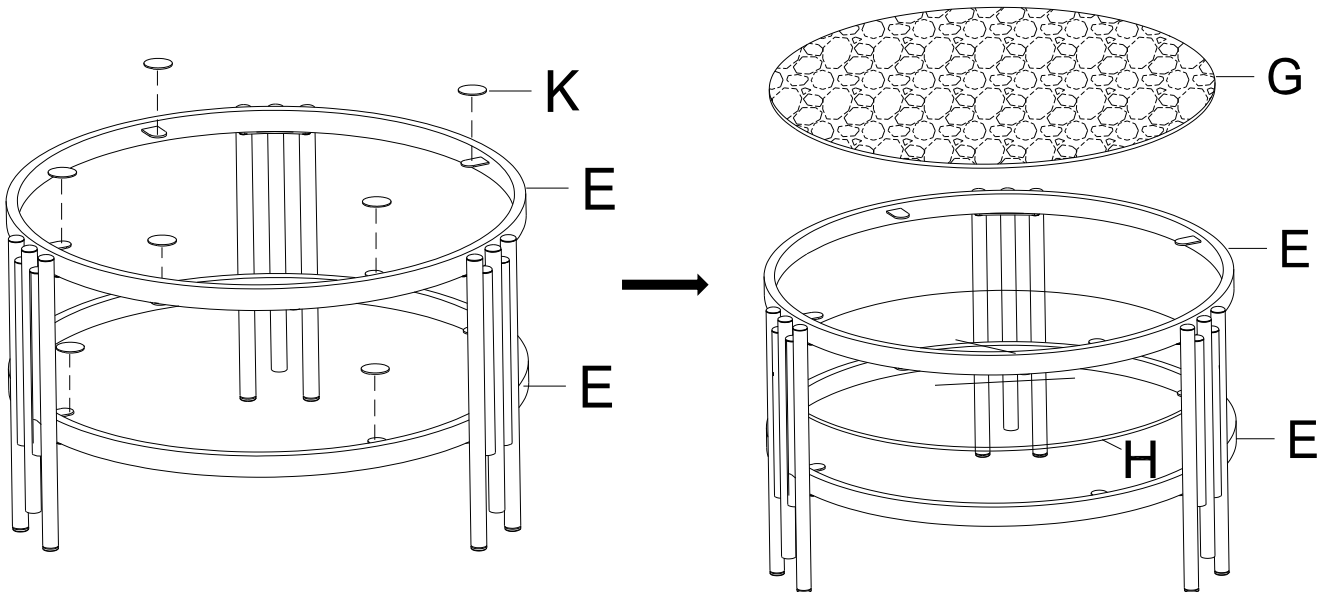
4 Attach the Small Table Leg (F) to the Small Table Frame (E) using Bolt (I) with Allen Wrench (J).



- 5** Attach the other Small Table Frame (E) to the Small Table Leg (F) using Bolt (I) with Allen Wrench (J).



- 6** Stand the assembled unit upright. Place Glass Pad (K), the Small Table Glass Shelf (H) and the Small Table Mirror Top (G) on the Small Table Frame (E) as shown.



Cleaning & Care

Treat surfaces with care. Surfaces are resistant to scratches but are not scratch resistant. Clean surfaces with a dry or damp soft cloth. Do not use abrasive cleaners. Hardware may loosen over time. Periodically check that all connections are tight.