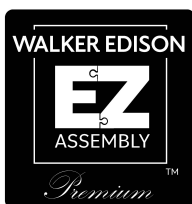
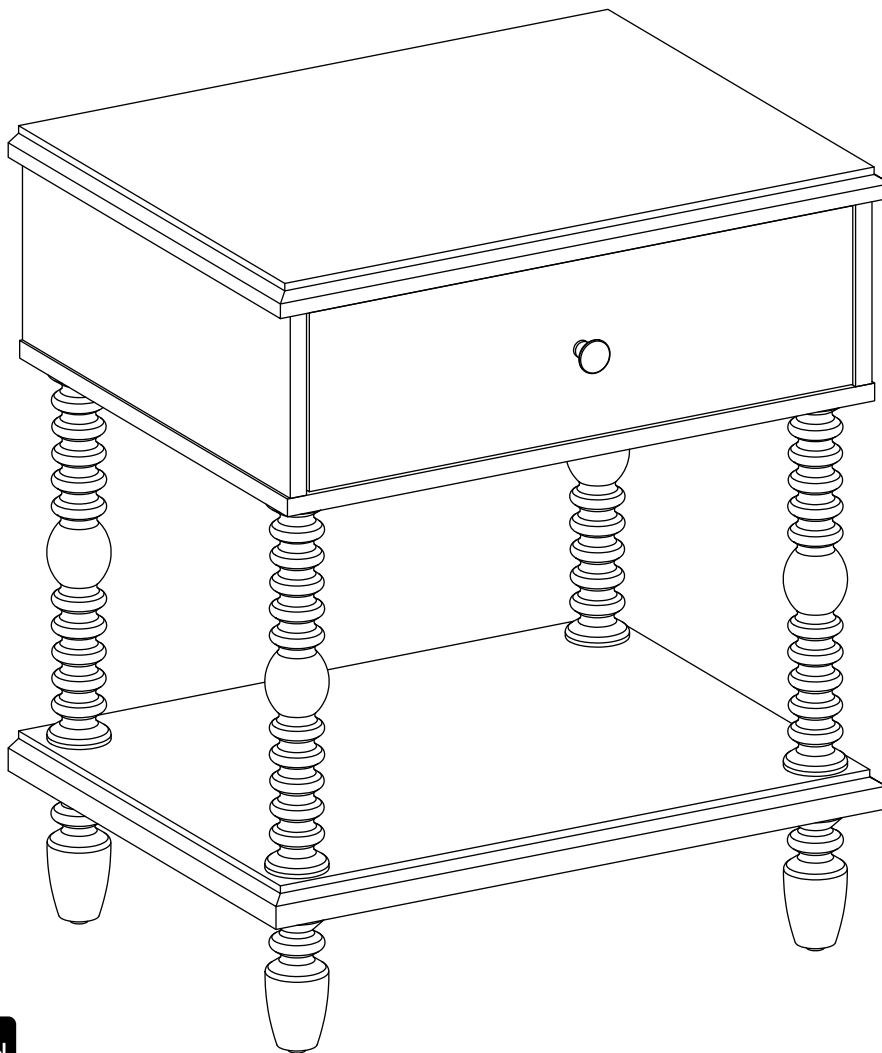


# WALKER EDISON™

## Vivienne 1-drawer Spindle Nightstand

SKU# WEVIV011D2



### For Residential Use Only

Please visit our website for the most current instructions, assembly tips, report damage, or request parts. [www.walkeredison.com](http://www.walkeredison.com)

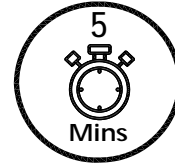


# Time to get started

Set up a clean and soft workplace to get started and avoid damage during the assembly. It also helps to double-check that you've got all the pieces and parts before diving in to assembly.

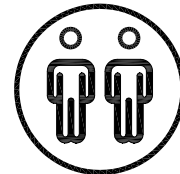
## Estimated time for assembly

Say Goodbye to Frustration!  
30 Minutes or Less to Build  
No Tools Required



## People recommended for assembly

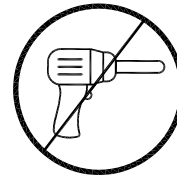
Make it a team effort! Grab a friend for quicker, easier assembly.



2 People Build

## Use power tools with caution

You can cause cracking or damage to the material and easily strip the hardware. If you choose to use a power tool, your product will no longer be covered under Walker Edison's warranty.

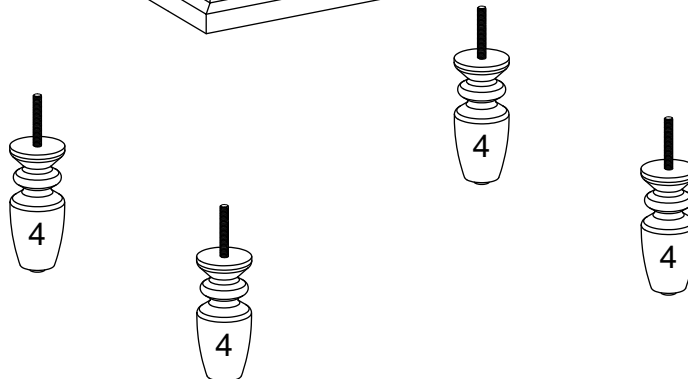
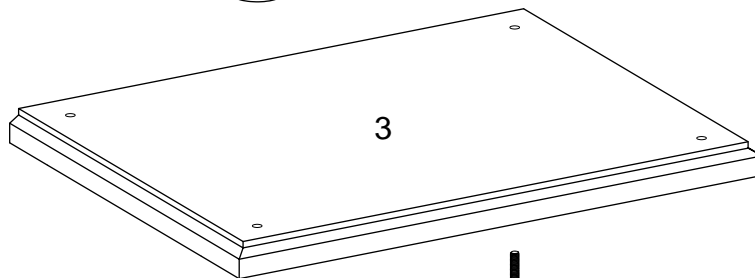
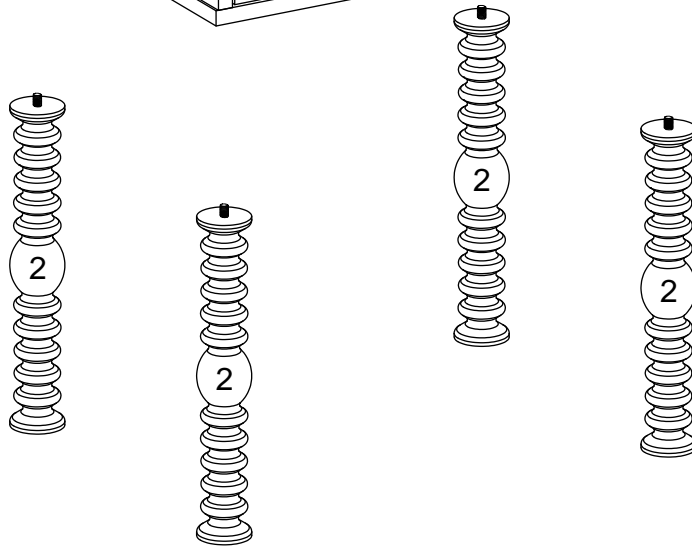
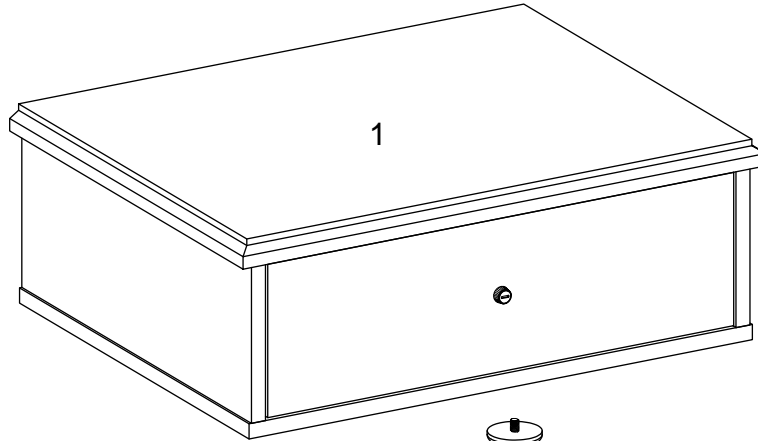


Vivienne

**Scan to get assembly tips and help!**

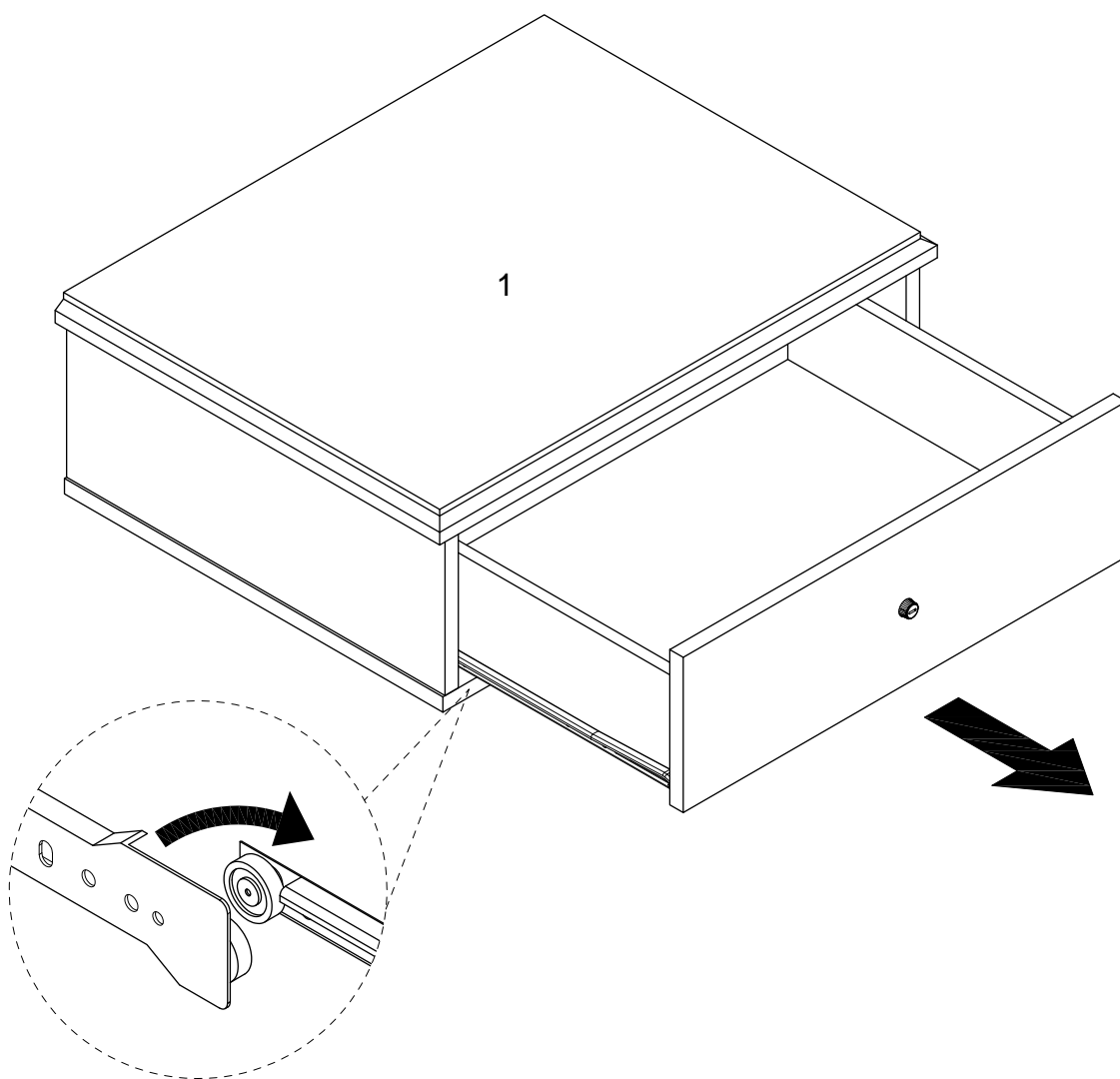
# WE Parts List

Part Number	Description	Quantity
1	Drawer Frame	1
2	Middle Support Leg	4
3	Bottom Panel	1
4	Leg	4



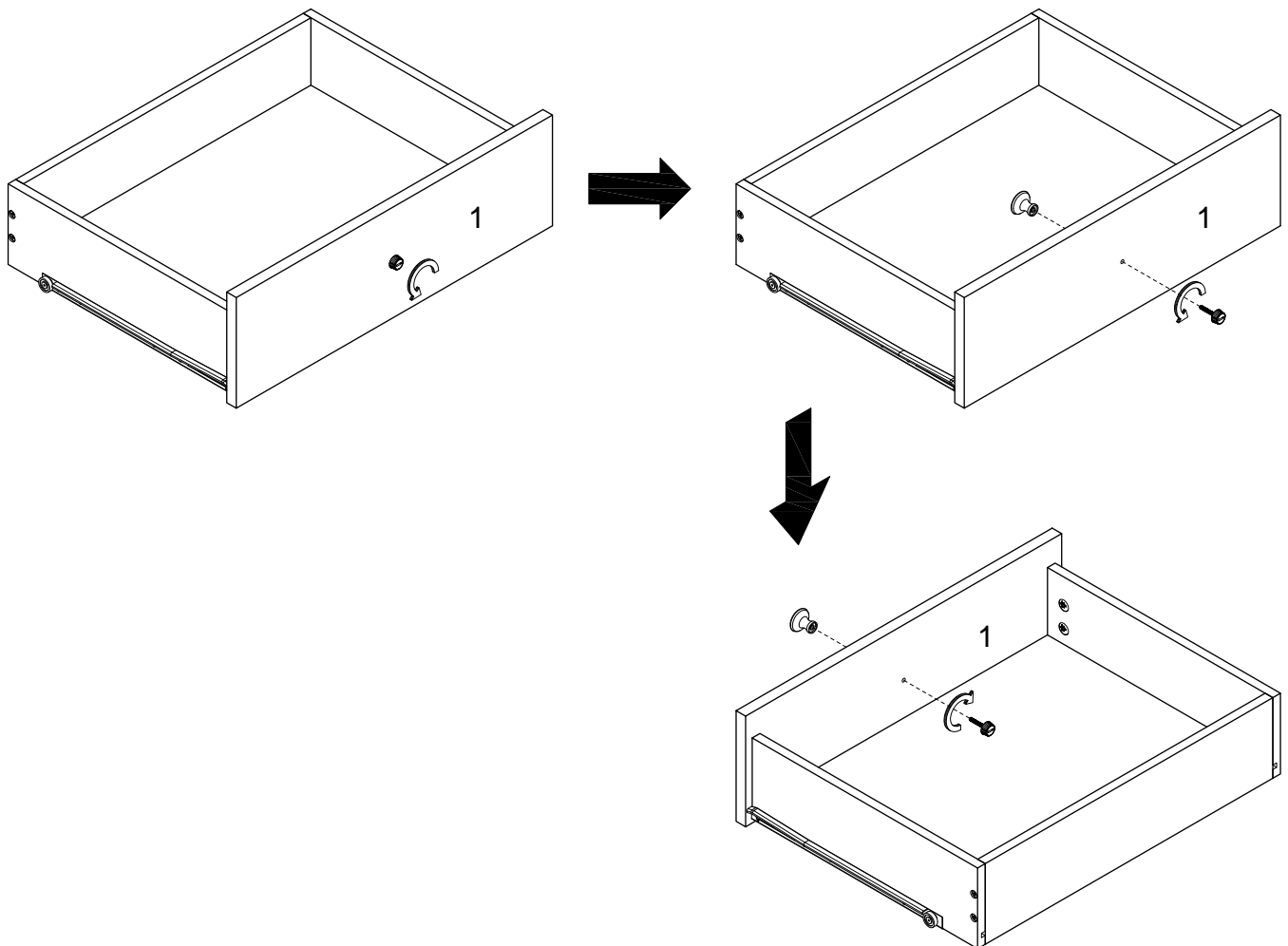
# Step 1

Let's get started! Start by sliding the drawer all the way out of the Drawer Frame (1). Once it's fully extended, lift it up at an angle to remove it.



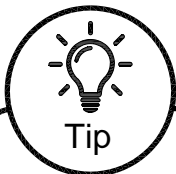
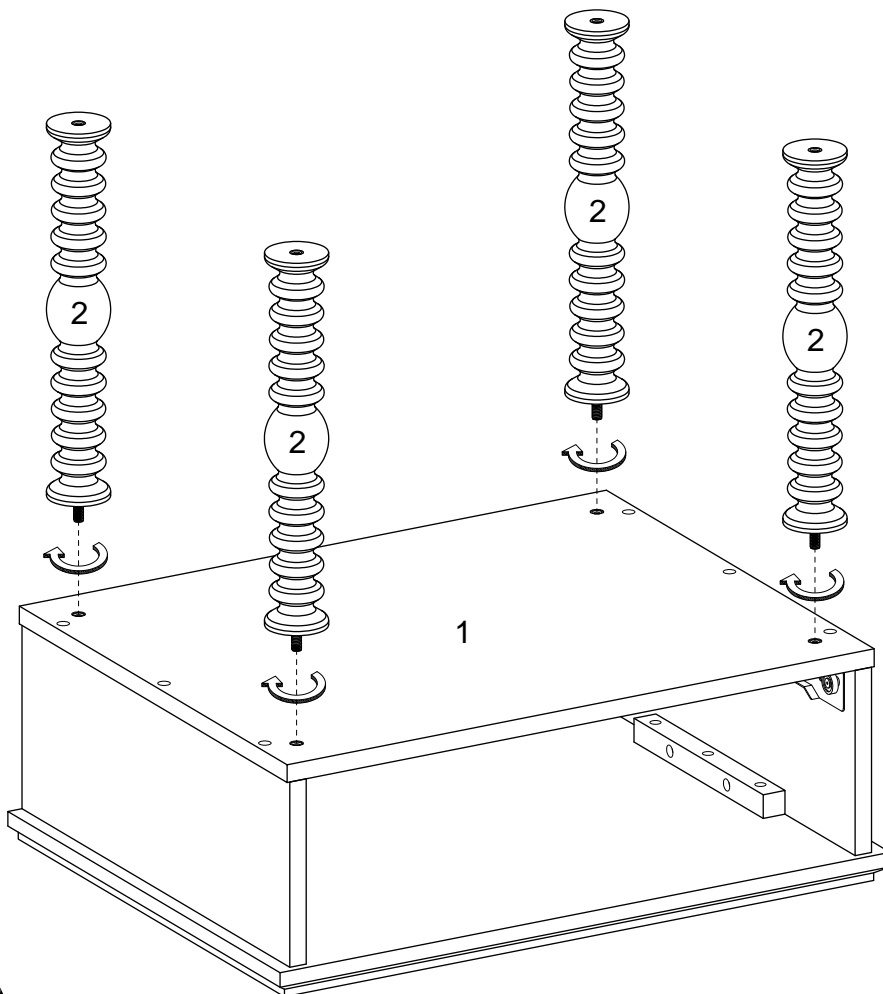
# Step 2

Time for a quick swap! Unscrew the knob from the drawer fronts, then screw it back in on the front side.

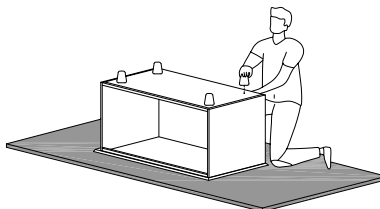


# Step 3

Turn the Drawer Frame (1) upside down, and screw in the Middle Support Legs (2).

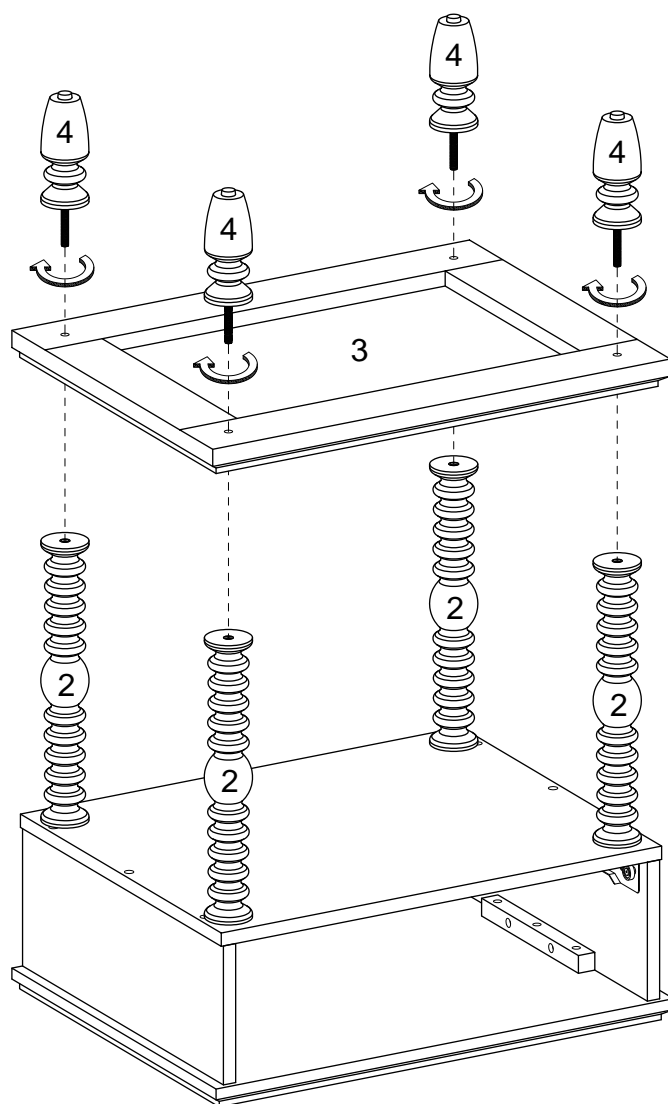


To keep your product looking its best and scratch-free, try assembling it on a soft surface like carpet or a blanket. This helps prevent any accidental scratches and keeps your furniture in top shape!



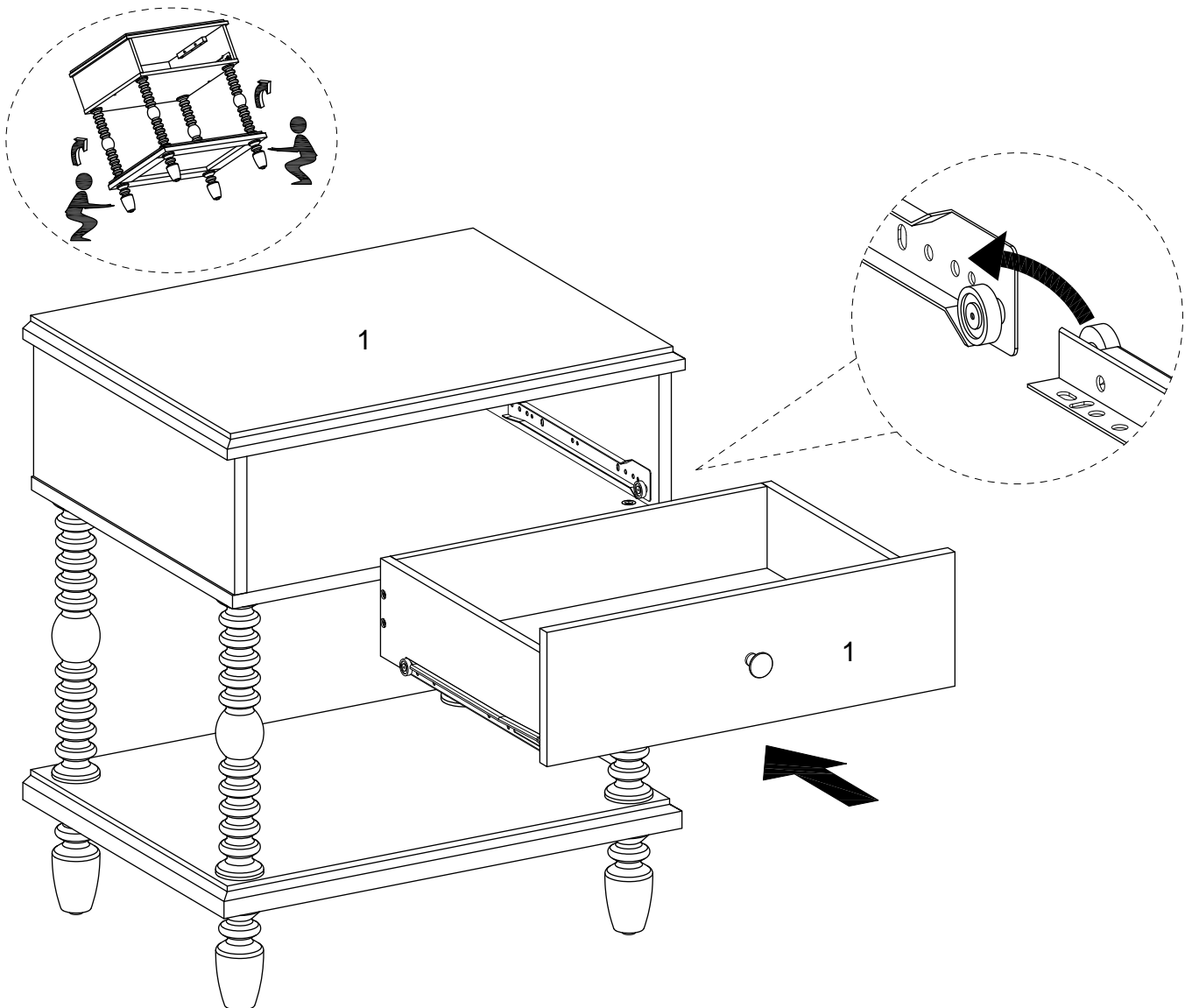
# Step 4

Almost there! Place the Bottom Panel (3) onto the Middle Support Legs (2), then screw in the Legs (4).



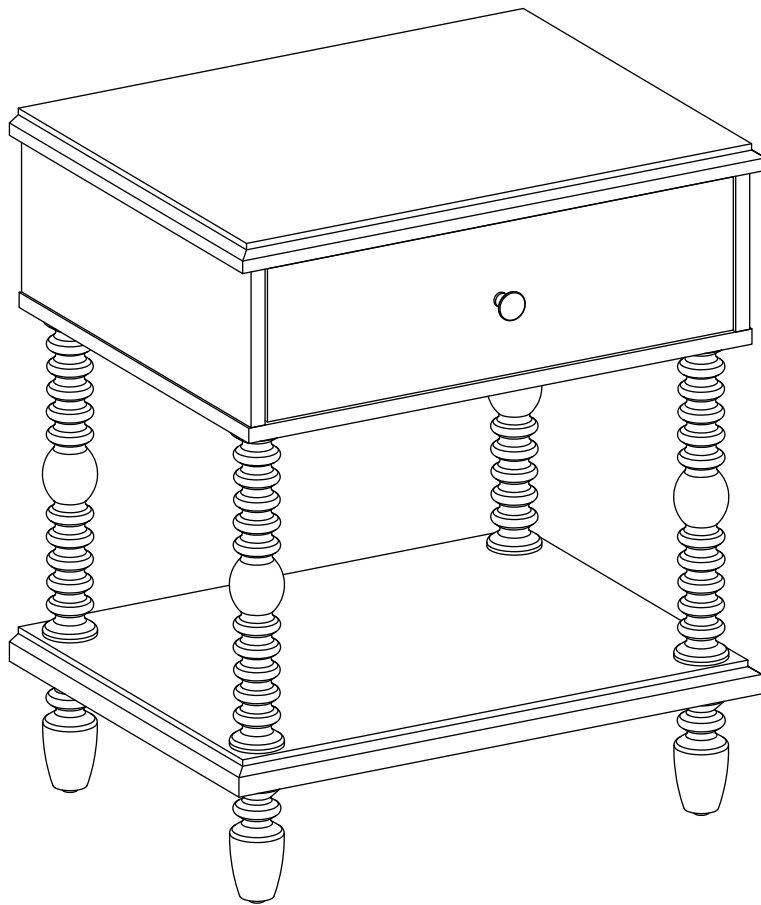
# Step 5

Stand your nightstand upright and slide the drawer back in.





# Final Assembly



**Congratulations on your new piece of furniture!**

We would love to hear about it and see it.  
Please leave us a review or post a picture with  
**#mywalkerredisonhome**

# Assembling furniture can be tricky sometimes.

Our customer service team, located in Utah, is here for product information, help assembling a product, or for any other customer support issue

Call us at **801-433-3008**

Email us at [service@walkeredison.com](mailto:service@walkeredison.com)

Visit our Customer Service website at  
[walkeredison.com/pages/customer-service](http://walkeredison.com/pages/customer-service)

We are available to help Monday -Thursday 8am-5pm, Friday  
8am-3pm MST

For details on Assembly Videos, Assembly Instructions,  
Replacement Parts, and Customer service,  
**SCAN HERE**

