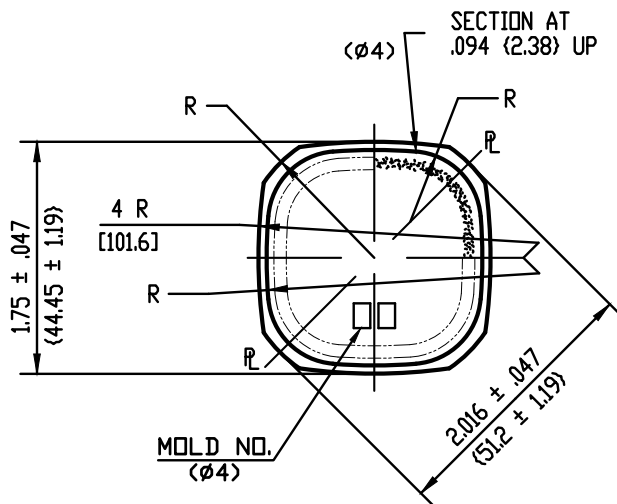


VIEW ACROSS CORNERS

NUMBER 9 STIPPLING TO APPEAR ON BEARING SURFACE.



SPECIFICATIONS

WEIGHT	113.4 ± 7.1 g 4 ± 0.25 oz.
O. FLOW CAP	128.9 ± 2.3 m 4.359 ± 0.078 FL. oz.

DISTRIBUTED BY: 	REF NO.: DWG30653
---------------------	----------------------

DESCRIPTION: 4 oz Glass Square, 33-400

DISCLAIMER

THIS INFORMATION IS PROVIDED AS A GENERAL GUIDE, INCLUDING DIMENSIONS. IT IS THE CUSTOMER'S RESPONSIBILITIES TO SELECT THE PROPER CONTAINER FOR PRODUCT AND APPLICATION COMPATIBILITY.