

MTI BASICS® Collection Tubs

MBISC6032A

59.5" x 32" x 19"

Acrylic Alcove Tub

Soaker 95 lbs / 43 kg

Plumbed 115 lbs / 52 kg

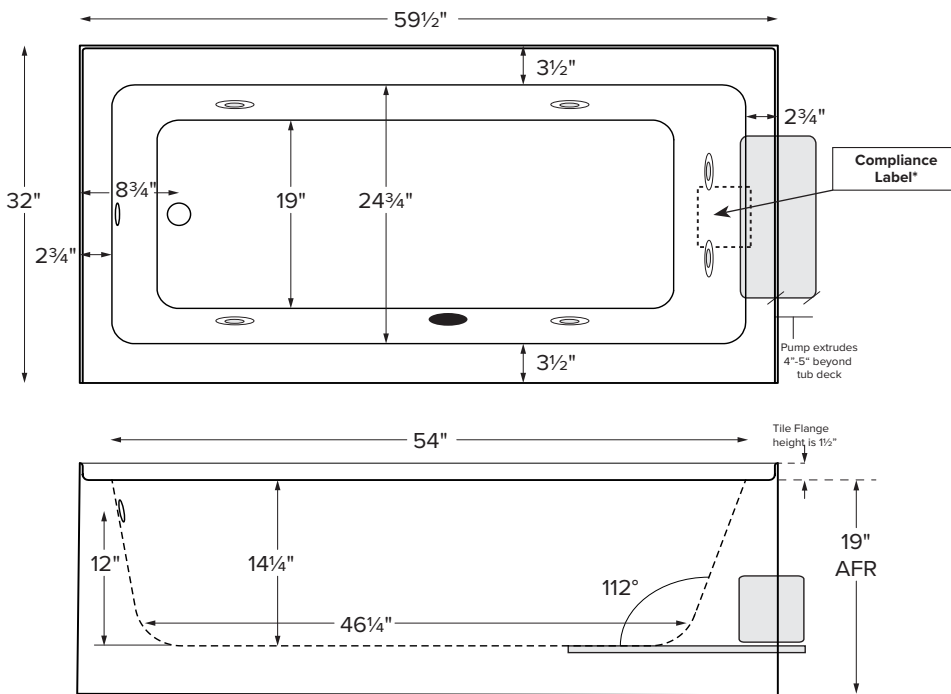
Avg Fill 35 gal to above jet level

Max Fill 43 gal to overflow

NOTE: Filling this tub to the maximum may require an above average size or dedicated water heater.



Shown with Whirlpool Package



Soaker
Soaking bath - No jets. Integral front skirt, 3-sided integral tile flange and textured bottom.
Part # MBSISC6032A
Air Bath
12 air jets, heated air blower, pre-leveled foam base, textured bottom, integral front skirt and 3-sided tile flange, pre-leveled foam base increases overall tub height 2"-3"
Part # MBAISC6032A
Whirlpool
6 point-massage jets, 1-bhp pump, integral front skirt, 3-sided integral tile flange and textured bottom.
Part # MBWISC6032A

Options Must be ordered at time of purchase

Standard White (no charge)
Color Upgrade: Biscuit (MTISCOLOR)

Quick Ship / Priority call for availability
 Soaker & Whirlpool (QSHIPMTIS)
 Airbath (QSHIPMTISA)

Inline Heater
 For Whirlpool (HTRMTIS)
 uses existing pump
 For Soaker & Air Bath (MBHTISOAK)
 heater with recirculating pump

Accessories

Lift and Turn Drain & Overflow
 Chrome (MBWOC)
 White (MBWOW)
 Brushed Nickel (MBWOBN)

Quick Connect Drain Kit
 Standard (MBQUICK)
 Cast Iron (MBQUICKCI)

Pillows
 Soft Pillow
 White (MBPSW) Black (MBPSB)
 Roll-Up Pillow
 Light Aqua (MBPRUC) Black (MBRUB)

Hydrotherapy Package	Components Included	GFCI / 110V
Soaker with Optional Inline Heater	1/2-bhp pump, inline heater	1-15 amp
Whirlpool or Air Bath	1-bhp pump	1-15 amp
Whirlpool with Optional Inline Heater	1-bhp pump, inline heater	1-20 amp
Air Bath with Optional Inline Heater	heated blower, 1/2-bhp pump, inline heater	2-15 amp

*CSA Certified C/US; ANSI Z124.1 and ANSI 112.19.7

Important Ordering and Installation Information

- Before ordering or installing, consider access to equipment.
- Integral flat front skirt is not removable.
- Must specify left- or right-hand drain when ordering.
- Use proper bedding compound to fully level and support the tub.
- Tubs equipped with an air system or factory installed pre-leveled foam base are designed to install directly onto a flat, level subfloor.
- Location of all therapy components is predetermined and cannot be changed.
- Options listed cannot be combined with Designer Collection options.

- Before discarding tub crate, check for accessories that may be packaged inside.
- All product measurements are ±1/2".
- Specifications and configurations are subject to change without notice.
- Measurements herein supersede all others published prior to publication revision date.

