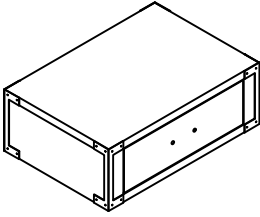


ASSEMBLY INSTRUCTIONS

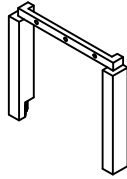
X-BASE END TABLE WITH 1 DRAWER

A Table Top



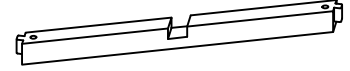
1 PC

B Leg Frame



2 PCS

C Lower Stretcher



1 PC

D Upper Stretcher



1 PC

E Bolt
Ø5/16" x 45mm



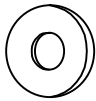
6 PCS

F Spring Washer
Ø5/16" x Ø13mm x 2mm



6 PCS

G Flat Washer
Ø5/16" x Ø19mm x 2mm



6 PCS

H Allen Wrench
4mm

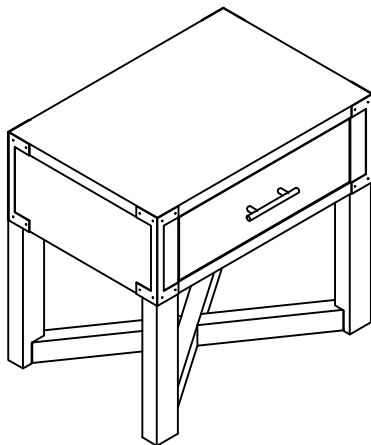


1 PC

I Screw
Ø3.5mm x 45mm

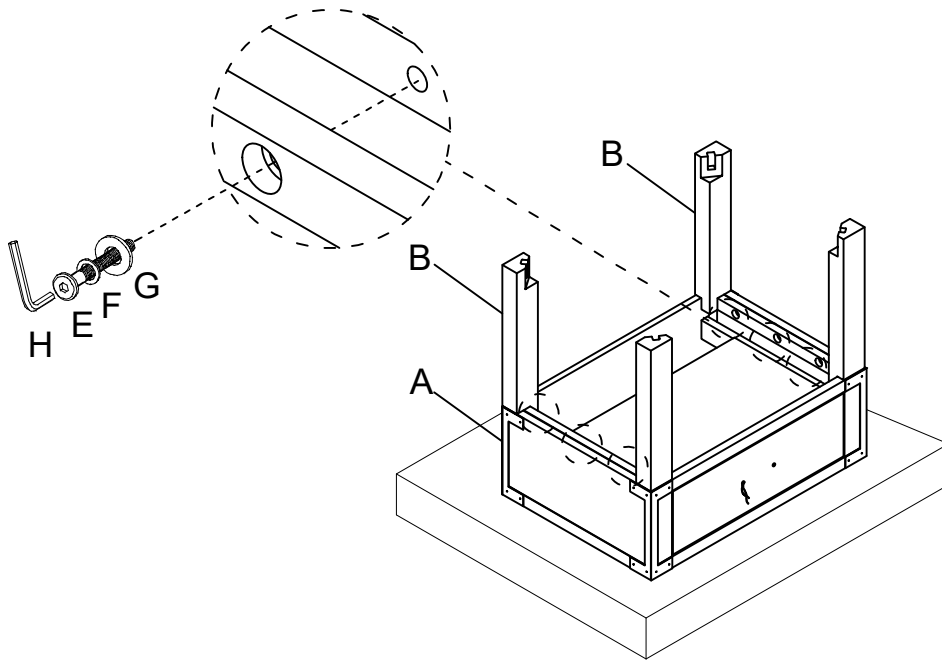


4 PCS

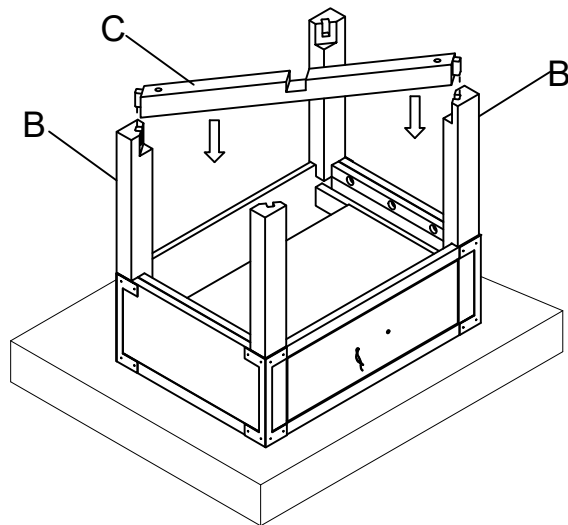


This page lists all the contents included in the box. Please take the time to identify the hardware as well as the individual components to this product. As you unpack and prepare for assembly, place the contents on a carpeted or padded area to protect them from damage.

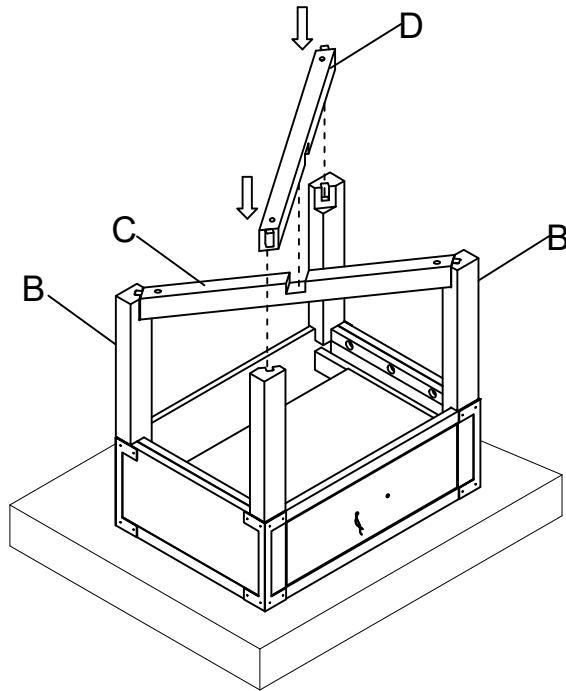
1 Attach Leg Frame (B) to Table Top (A) using Bolt (E), Spring Washer (F) and Flat Washer (G) with Allen Wrench (H).



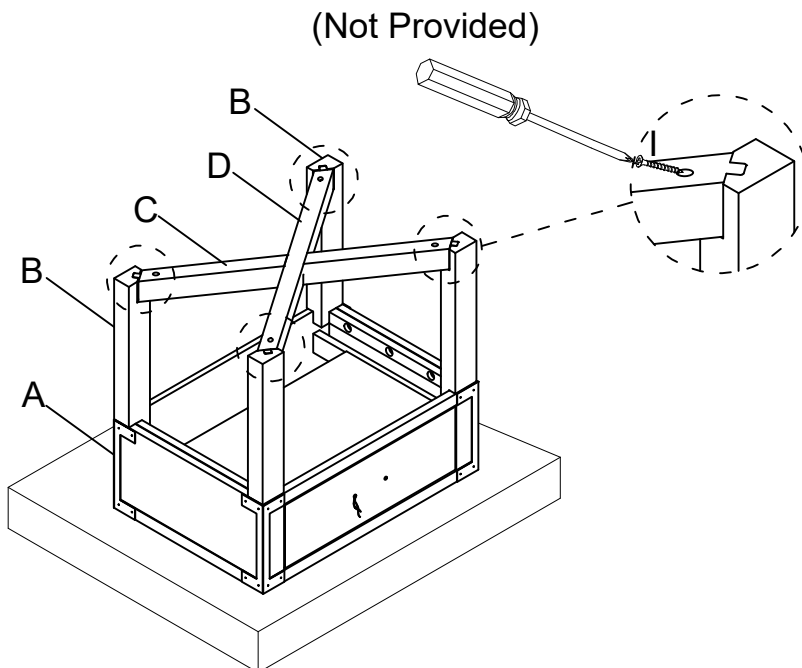
2 Insert the tenon of Lower Stretcher (C) into the groove of Leg Frame (B).



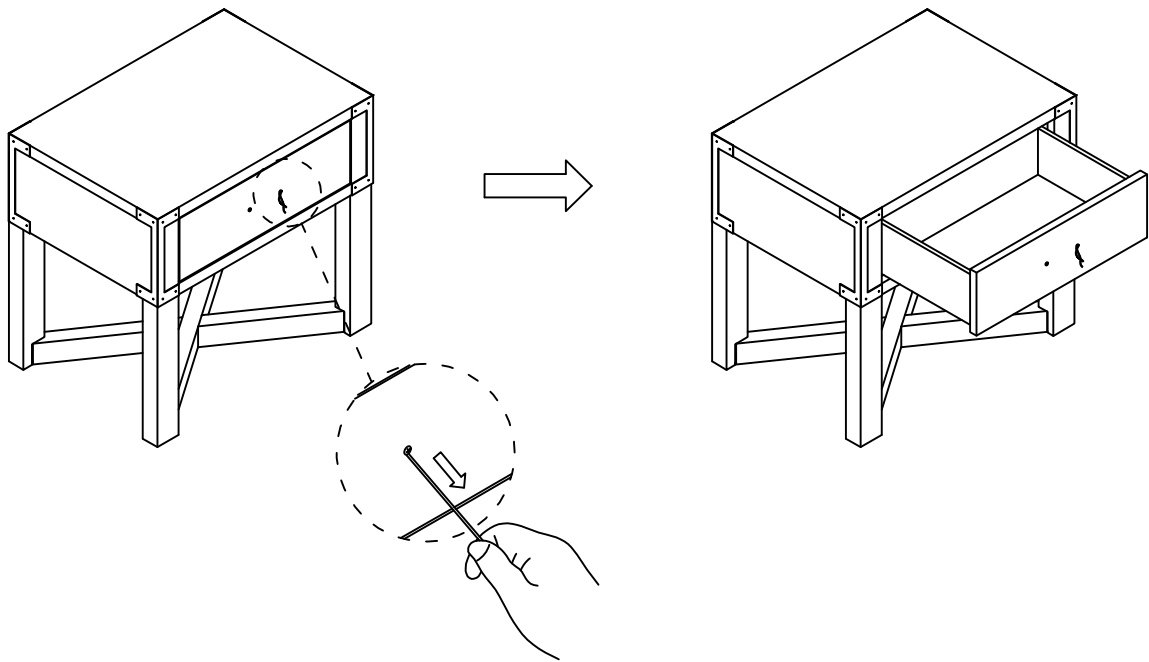
- 3** Insert the tenon of Upper Stretcher (D) into the groove of Leg Frame (B), and insert the middle groove of Upper Stretcher (D) into the groove of Lower Stretcher (C).



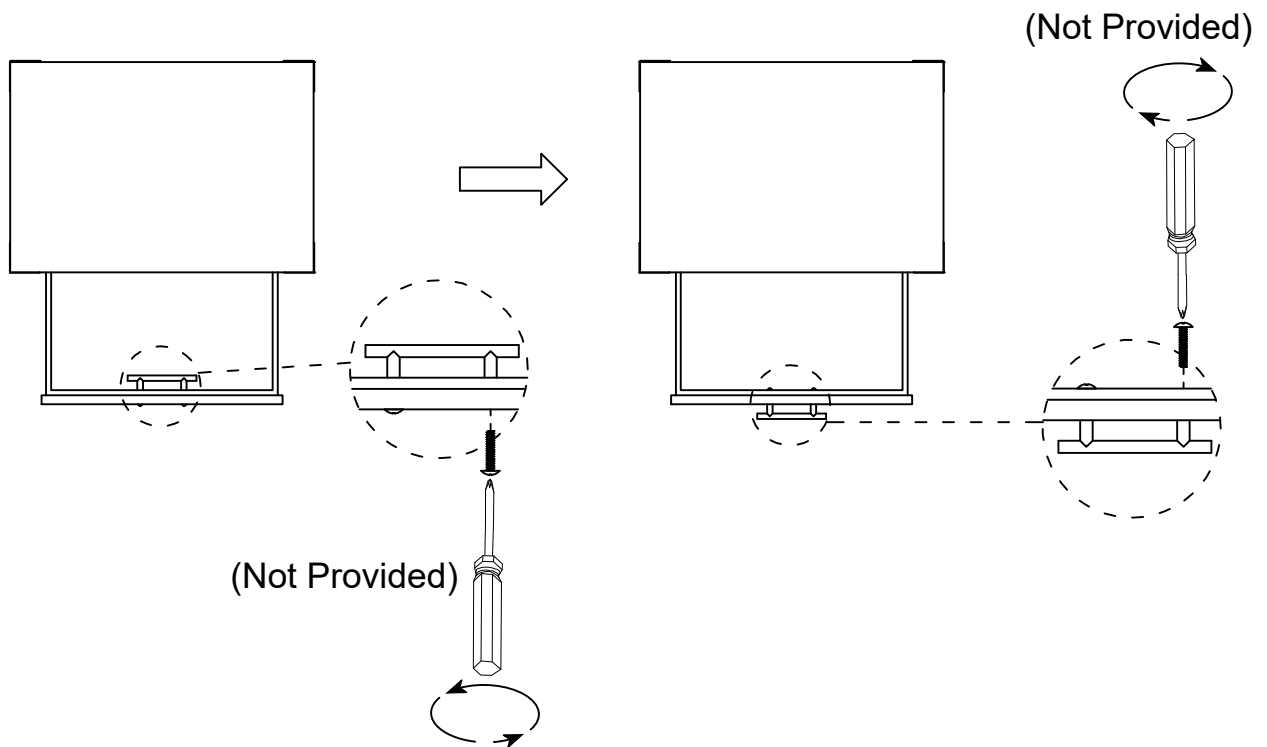
- 4** Attach Lower Stretcher (C) and Upper Stretcher (D) to Leg Frame (B) using Screw (I) with Screwdriver (Not Provided).



5 Pull the drawer out by grabbing the rope attached to it.



6 Take out the handle from inside of the drawer by unscrewing the two screws with Screwdriver (Not Provided). Then attach the handle to the drawer front.



Cleaning & Care

Treat surfaces with care. Surfaces are resistant to scratches but are not scratch resistant. Clean surfaces with a dry or damp soft cloth. Do not use abrasive cleaners. Hardware may loosen over time. Periodically check that all connections are tight.