

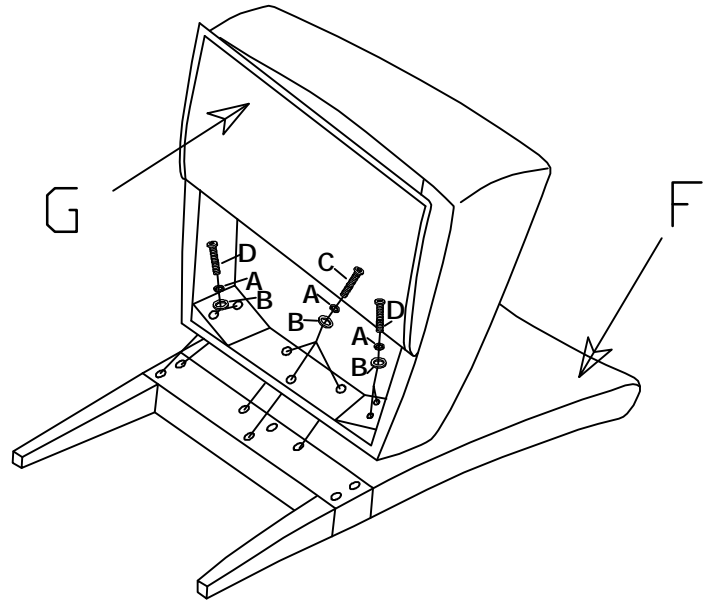
ASSEMBLY INSTRUCTION

ITEM NO: 468F3S/468F4S/468F6S/468F7S

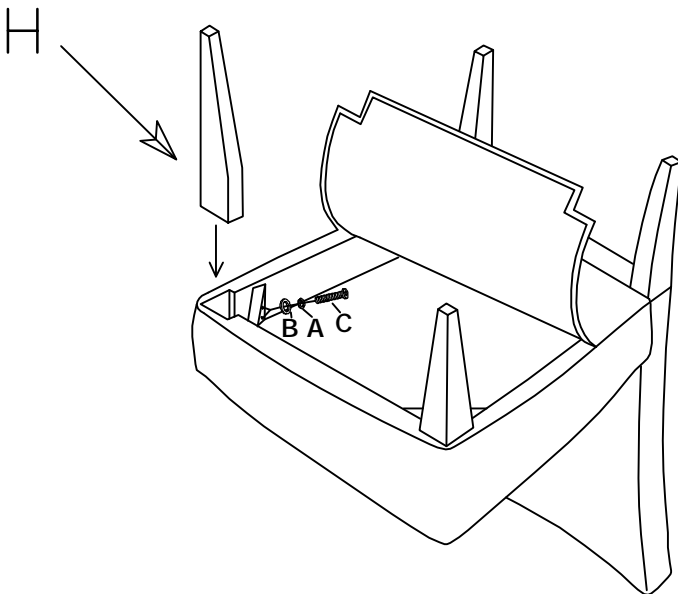
DO NOT TIGHTEN SCREWS UNTIL COMPLETELY ASSEMBLED

STEP:1

No	DESCRIPTION	Q'TY
A	LOCK WASHER Ø 5/16	11pcs
B	FLAT WASHER Ø 5/16"	11pcs
C	BOLT 1/4 DIA Ø 5/16x2-1/2"	7pcs
D	BOLT 1/4 DIA Ø 5/16x3-3/4"	4pcs
E	ALLEN WRENCH Ø 5/16"	1pc
F	CHAIR BACK	1pc
G	SEAT	1pc
H	FRONT LEG	1pc



STEP:2



STEP:3

