

## Brenham™ | K-1999-8N

Wall-mount or concealed carrier arm mount commercial bathroom sink with widespread faucet holes and shroud

### Features

- 8" (203 mm) widespread faucet holes
- Oval basin
- Sealed overflow
- Includes wall hanger
- Combination consists of basin and shroud



### Sustainability



### Available Colors/Finishes

*Color tiles intended for reference only.*

- 0 White



## Codes/Standards

ADA, OBC, CSA B651 compliant when installed to the specific requirements of these regulations.

ADA CSA B651 OBC

ASME A112.19.2/CSA B45.1

ADA

ICC/ANSI A117.1

CSA B651

OBC

## Warranty

See website for detailed warranty information.

KOHLER® Vitreous China Bathroom Sink Lifetime Limited Warranty

## Technical Information

Number of Deck Holes:	3
Faucet Hole(s) Size:	1-3/8" (35 mm)
Center(s):	8" (203 mm)
Drain Hole Diameter:	1-3/4" (44 mm)
Basin Configuration:	Single Bowl
Basin Length:	14-3/8" (365 mm)
Basin Width:	12-5/16" (313 mm)
Basin Depth:	4-9/16" (115 mm)

## Material

- Vitreous china

## Included Combo Skus

- K-1997-8N Wall-mount or concealed carrier arm mount commercial bathroom sink with widespread faucet holes and no overflow
- K-1998 Shroud

## Recommended Products/Accessories

K-23726 Drain treatment

K-23725 Cast iron cleaner



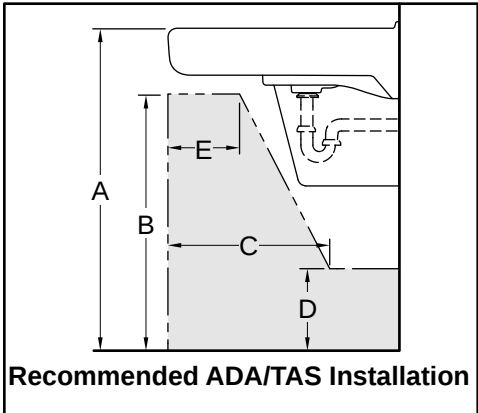
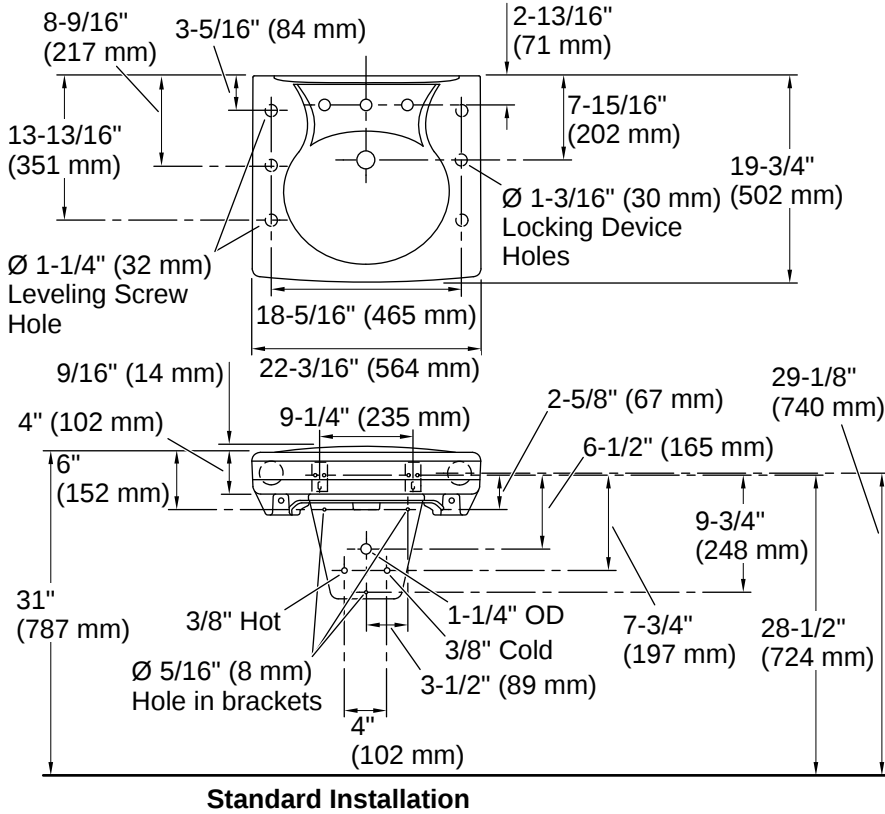
1-800-4KOHLER (1-800-456-4537)

Kohler Co. reserves the right to make revisions without notice to product specifications.

For the most current specification sheet, go to [www.kohler.com](http://www.kohler.com) USA or [www.kohler.ca](http://www.kohler.ca) Canada.

4-13-2026 12:49 - US-CA

**Concealed Arm Hole Location**



Recommended ADA/TAS installation:

	ADA and TAS	Children's Environment ADA and TAS Ages 6-12 yrs
A	34" (864 mm)	31" (787 mm)
B	27" (686 mm)	24" (610 mm)
C	11" (279 mm)	11" (279 mm)
D	9" (229 mm)	9-1/16" (230 mm)
E	8" (203 mm)	8" (203 mm)

**Installation**

- Wall-mount
- Drilled for concealed arm carrier installation

**Installation Notes**

Install this product according to the installation instructions.

Product dimensions are nominal and may vary per ASME A112.19.2 tolerances.

ADA, OBC, CSA B651 compliant when installed to the specific requirements of these regulations.

