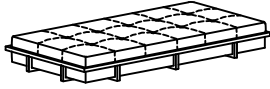


ASSEMBLY INSTRUCTION

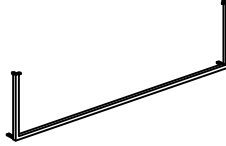
RECTANGULAR TUFTED COCKTAIL OTTOMAN

A Cushion



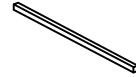
1 PC

B Side Rail



2 PCS

C Connecting Rod



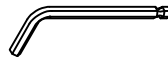
2 PCS

D Bolt
1/4"*5/8"

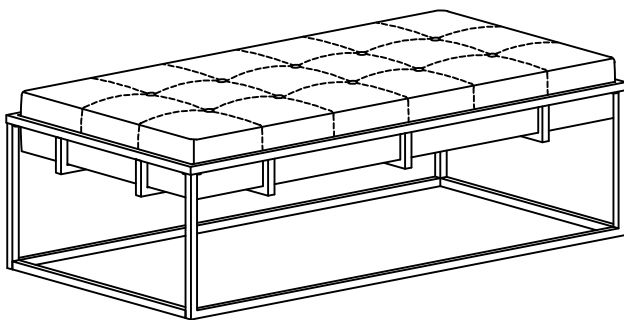


16 PCS

E Allen Key
M4

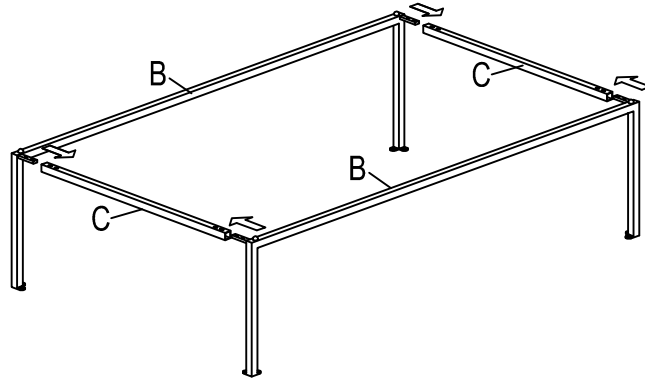


1 PC

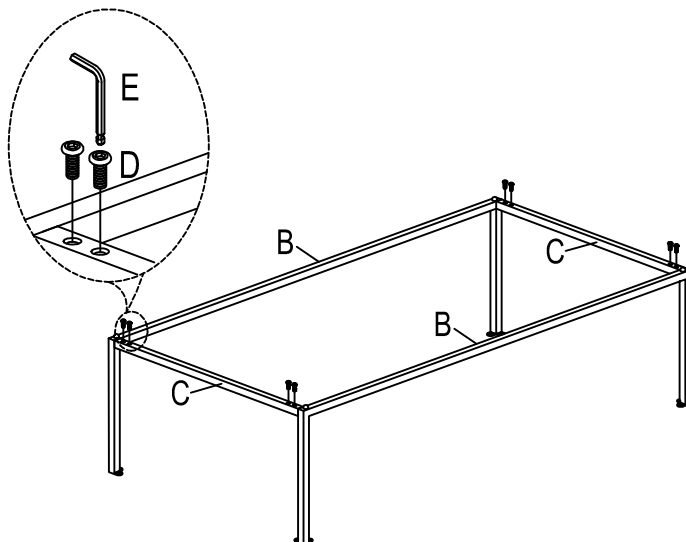


This page lists all the contents included in the box. Please take the time to identify the hardware as well as the individual components to this product. As you unpack and prepare for assembly, place the contents on a carpeted or padded area to protect them from damage.

-
- 1** Insert Connecting Rod (C) between Side Rail (B).
Note: At this stage, do not fully tighten the Bolts.

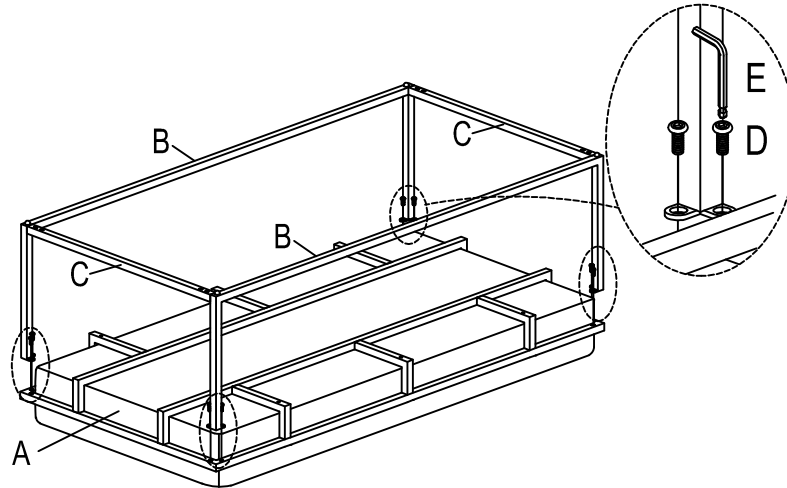


-
- 2** Attach Connecting Rod (C) to Side Rail (B) using Bolt (D) with Allen Key (E).
Note: At this stage, do not fully tighten the Bolts.

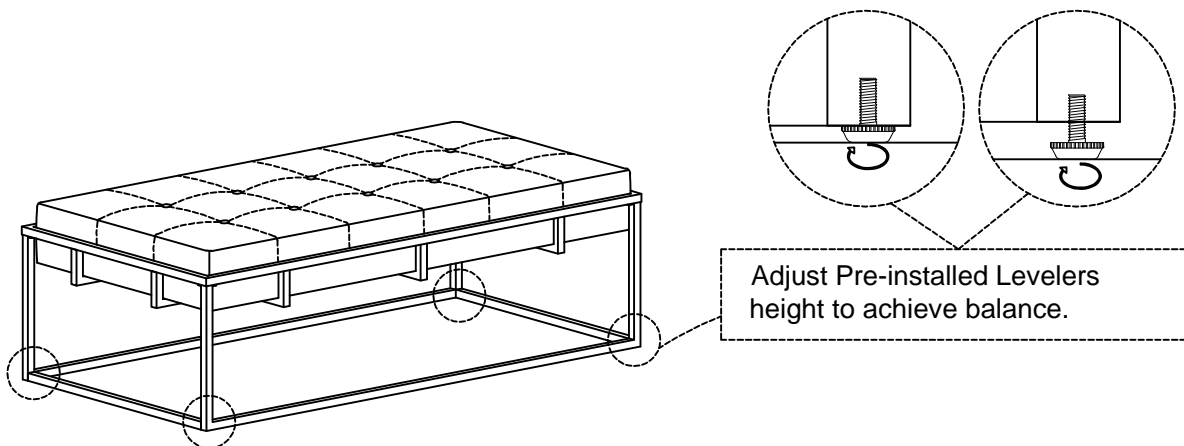


3 Attach Side Rail (B) to the bottom of the Cushion (A) using Bolt (D) with Allen Key (E).

Note: Tighten all Bolts at all joints fully in a sequential manner at this stage.



4 With assistance from an adult partner, stand the Ottoman up. Adjust the Pre-installed Levelers at the bottom of the Side Rail (B) until the Ottoman levels with the ground.



Cleaning & Care

Treat surface with care. Surface is resistant to scratches but is not scratch resistant. Clean surfaces with a dry or damp soft cloth. Do not use abrasive cleaners. Hardware may loosen over time. Periodically check that all connections are tight.