

**CAUTION:** Read instructions carefully and turn electricity off at main circuit breaker panel before beginning installation.

## 300216, 300217, 300218

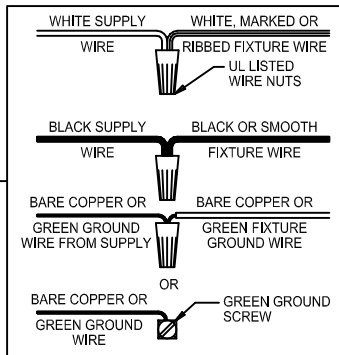
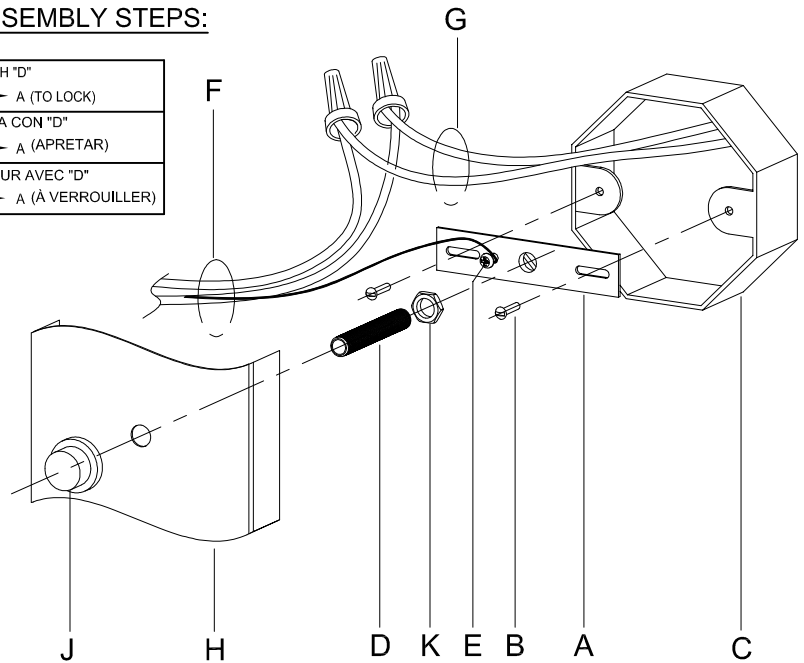
**WARNING -** If any Special Control Devices are used with this Fixture, Follow the Instructions Carefully to assure full compliance with N.E.C. requirements. If there are any questions, contact a Qualified Electrical Contractor.

**CAUTION -** All glass is fragile, use care when handling Glass component(s) and or Lamp(s).

### CANOPY MOUNTING & WIRE CONNECTION ASSEMBLY STEPS:

1. D,E → A
2. K → D
3. B,A → C
4. F → G
5. H,J → D

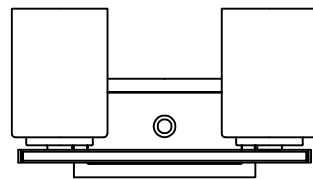
ADJUST HEIGHT WITH "D"	
K	→ A (TO LOCK)
AJUSTA LA ALTURA CON "D"	
K	→ A (APRETAR)
RÉGLEZ LA HAUTEUR AVEC "D"	
K	→ A (À VERROUILLER)



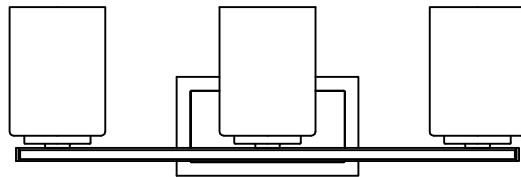
### FIXTURE ASSEMBLY STEPS:

1. Q,P,N,M → R
2. L → R

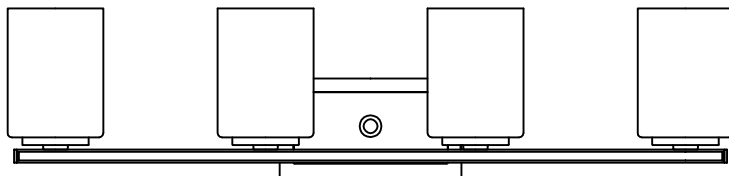
B, C, G & L  
(NOT FURNISHED)  
(NO INCLUIDA)  
(NON FOURNIE)



P300216



P300217



P300218

