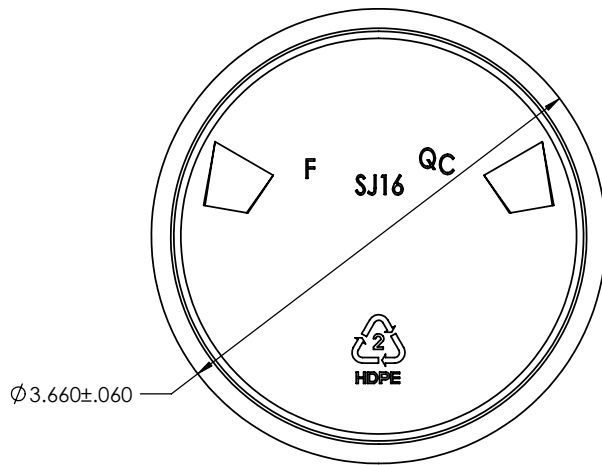


DETAIL A



NECK DIMENSIONS:

T = 3 . 4 9 3 . 0 1 8  
 E = 3 . 3 7 3 . 0 1 8  
 H = . 5 7 0 . 0 1 5  
 I = 2 . 9 1 8 M I N  
 S = . 0 8 1 . 0 1 5



**DISCLAIMER**

THIS INFORMATION IS PROVIDED AS A GENERAL GUIDE, INCLUDING DIMENSIONS. IT IS THE CUSTOMER'S RESPONSIBILITIES TO SELECT THE PROPER CONTAINER FOR PRODUCT AND APPLICATION COMPATIBILITY.

DISTRIBUTED BY:



REF NO.:

DWG30325

DESCRIPTION:

16 oz HDPE Wide Mouth Jar, 89-400