

15001

ELLISON ONE LIGHT SWING ARM SCONCE

FINISHES

MB/VB - Matte Black/Vintage Brass

FEATURES

Backplate arm swings left or right 180°

Middle swings left or right 270°

Plug-in or Hardwire Installation

On/Off Switch

DIMENSIONS

Width 8.14"
 Height 6.25"
 Depth 24.75"
 Backplate Width 5.12"
 Backplate Extension 1.18"
 Stems (2) 12"
 Cord Length 72"
 Weight 3.4 lbs.

MATERIAL Steel

SHADE

Shade Matte Black/Vintage Brass (Outside) with Modern Gold (Inside)

Direction Downward/Upward

LAMPING

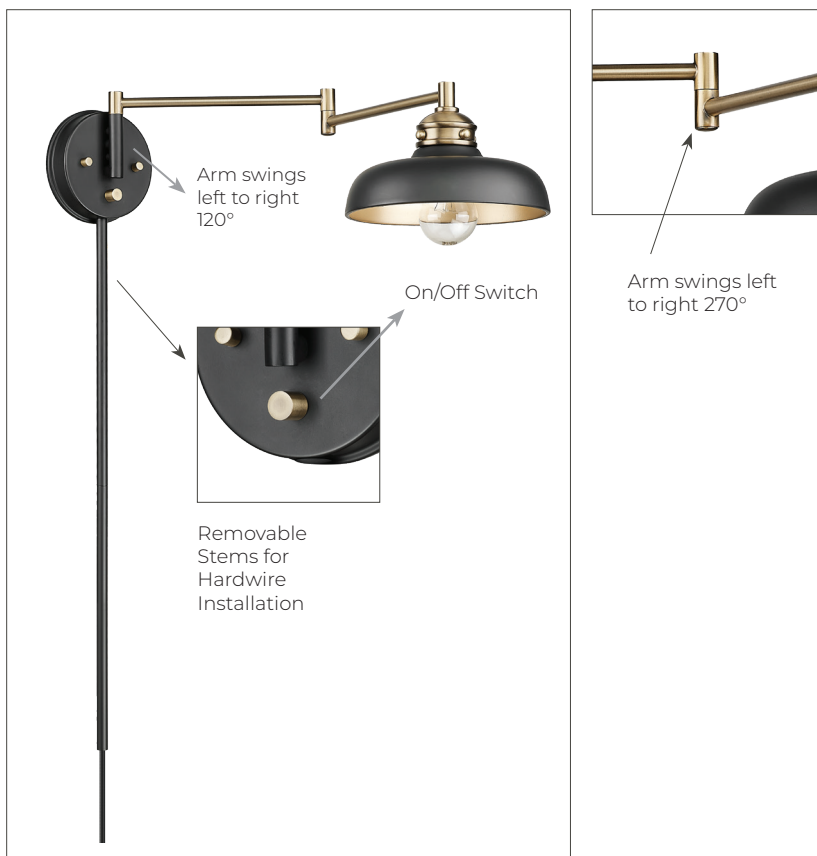
Bulbs 1 A19, ST58 or ST64
 Bulbs Base E26
 Watts per Bulb 60W
 Voltage 120V
 Total Wattage 60W
 Bulbs Included No

CERTIFICATION

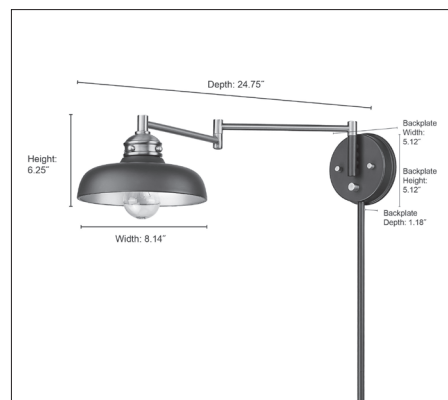
UL/ETL Dry Location

ITEM NUMBER

SKU's 15001 MB/VB



15001 MB/VB



Millennium Lighting
 105 Declaration Drive
 McDonough, GA 30253
www.millenniumlighting.com