



Model(s) Z843M1

Wall-Mount, Sink Faucet with 8" Vacuum Breaker Spout

TAG _____

Architectural/Engineering Specification:

Polished chrome-plated cast brass 8" [203mm] sink faucet with quarter-turn ceramic disc cartridges, 3/8" [10mm] short swivel inlets providing adjustable centers from 7-1/4" [184mm] to 8-3/4" [222mm], integral service stops and a 6" [152mm] centerline cast brass spout with chemical resistant atmospheric vacuum breaker, 3/4" hose threaded outlet, pail hook and adjustable wall brace. Unit is furnished with 2-1/2" [64mm] vandal-resistant color-coded brass lever handles. Vacuum breaker is certified to the uniform plumbing code*, ASSE 1001-2002 and CSA b64-01. (note: atmospheric vacuum breaker not intended for continuous pressure applications.)

PRODUCT FEATURES:

- 6" Vacuum Breaker Spout with 3/4" Threaded Outlet, Brace and Pail Hook
- 2-1/2" Vandal Resistant Color Coded Lever Handles
- Ceramic Disc Cartridge
- Chrome-plated Cast Brass Body

SUFFIX OPTIONS:

-CS	Check Stops
-FC	2.0 GPM [7.6L] Laminar Flow Control in Base of Spout
-LSI	2-1/2" [64mm] Long Swivel Inlets with Integral Stops
-RC	Rough Chrome Plated
-WHK	Wall Hook



Product Compliance:

ADA
 ASME A112.18.1/CSA B125.1
 CSA B125.1
 IPC

*Complies with ADA & ICC A117.1 accessibility requirements when installed according to the requirements outlined in these standards.

**Although products with certain combinations of options and features will meet or comply with these standards and/or certifications, not every combination of options and features will result in such compliance. If you have any questions about your particular product, please contact our Customer Care Dept. at 1-855-ONE-ZURN (United States) or 1-877-892-5216 (Canada) for confirmation.*

[Installation Guide - CF1576.pdf](#)

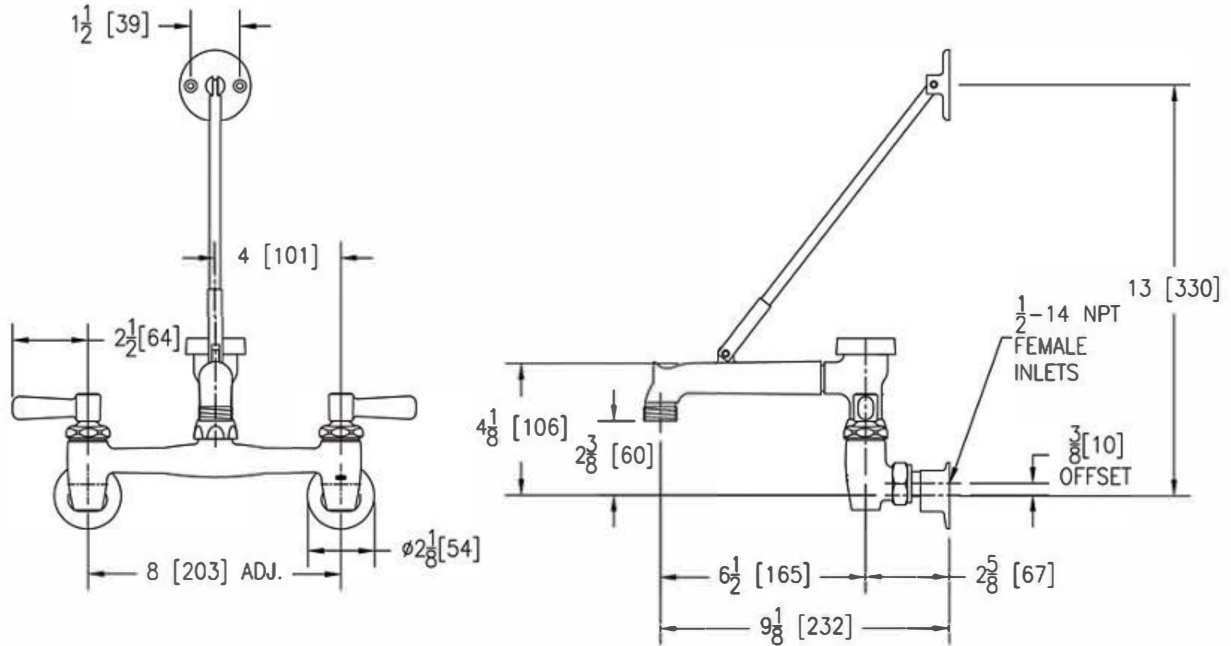
Architectural/Engineering Approval

Design and dimensional data (inches and [mm]) are subject to manufacturing tolerances and change without notice.

⚠ WARNING: Cancer and Reproductive Harm - www.P65warnings.ca.gov

⚠ ADVERTENCIA: Cáncer y daño reproductivo - www.P65warnings.ca.gov

⚠ AVERTISSEMENT: Cancer et effets néfastes sur la reproduction - www.P65warnings.ca.gov



NOTE: All dimensions are for reference only. Do not use for pre-plumbing.

Design and dimensional data (inches and [mm]) are subject to manufacturing tolerances and change without notice.

⚠ WARNING: Cancer and Reproductive Harm - www.P65warnings.ca.gov
 ⚠ ADVERTENCIA: Cáncer y daño reproductivo - www.P65warnings.ca.gov
 ⚠ AVERTISSEMENT: Cancer et effets néfastes sur la reproduction - www.P65warnings.ca.gov