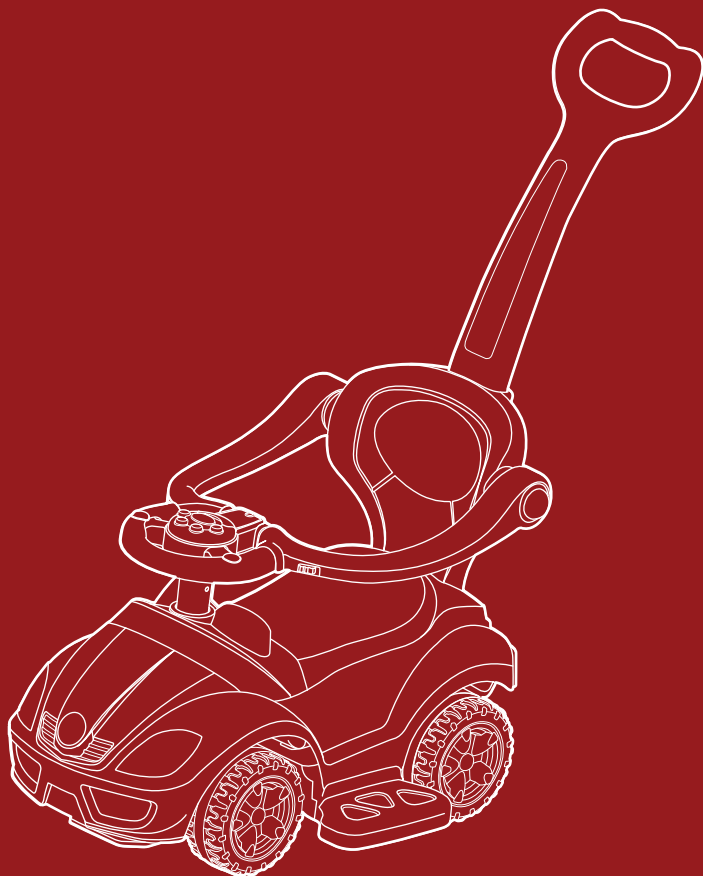




BEST CHOICE
PRODUCTS



INSTRUCTION MANUAL

Push & Pedal
Wagon Ride-On



**BEST CHOICE
PRODUCTS**

As shoppers, we're always trying to find the perfect balance between quality & value. At BCP, we believe we've achieved that. Our diverse catalog of everyday essentials is tailored especially to our customers & guaranteed to hit that sweet spot of high quality & low price.

— Always. —

⚠ WARNING

ADULT ASSEMBLY REQUIRED

! NOTICE Please retain these instructions for future reference.

- Toy must be assembled by an adult.
- Immediately dispose of all bags and packaging to avoid suffocation.
- To reduce the risk of injury, adult supervision is required at all times.
- Protective equipment, such as wrist guards, kneepads, and a helmet, is required for children.
- If any parts are missing, broken, damaged, or worn, stop using this product until repairs are made and/or factory replacement parts are installed.
- Do not use this item in a way inconsistent with the manufacturer's instructions as this could void the product warranty.
- This product is intended for residential use only.

⚠ WARNING

- Never leave a child unattended.
- Always sit in the seat when using this product.
- Keep your hands, hair, and clothes away from moving parts.
- Always wear shoes when operating this vehicle.
- Only one rider is allowed on the vehicle at a time
- Children under 2 years of age cannot use this product.
- Only play on level ground.
- Do not drive near swimming pools or other bodies of water, drop-offs, or up and down steep inclines.
- Do not drive into loose dirt, mud, sand, fine gravel, or on wet surfaces.
- Do not drive on streets or near cars.

TOOLS REQUIRED



PHILLIPS
SCREWDRIVER



2 AA BATTERIES



2-6
YEARS OLD



50 LBS
CAPACITY



1 PERSON
ASSEMBLY



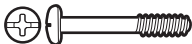
UP TO 20 MIN.
ASSEMBLY

HARDWARE

Spare parts may be included

1

M5x40mm
BOLT



1 PC

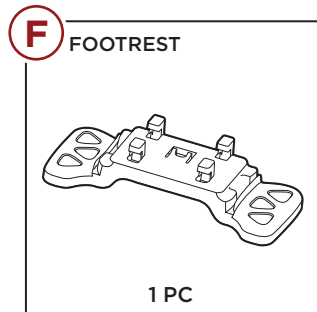
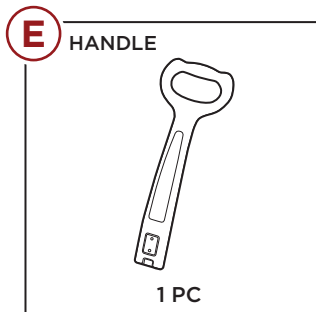
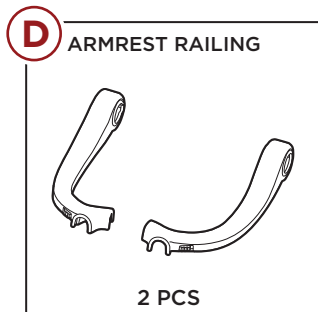
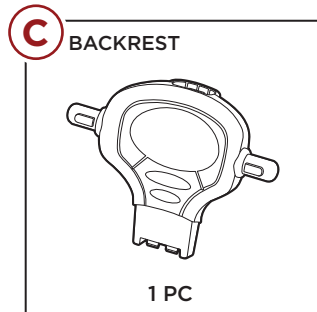
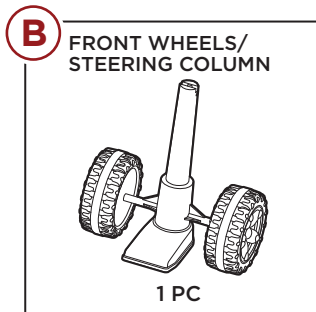
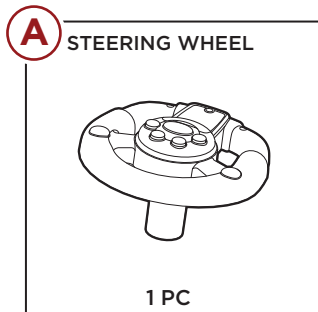
2

M5mm NUT



1 PC

PARTS

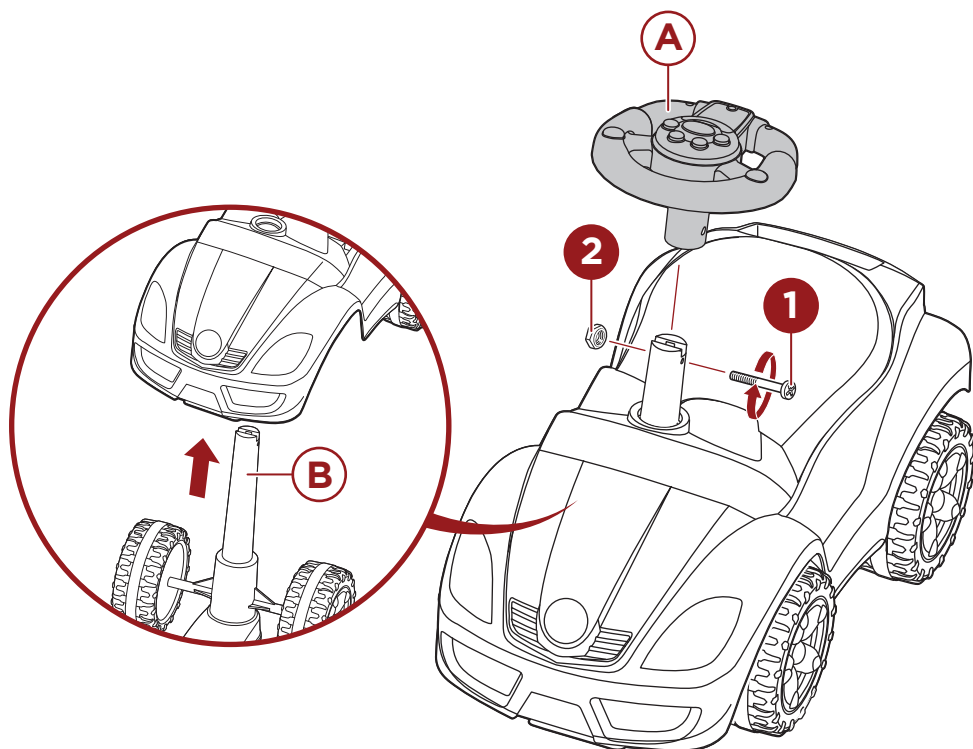


PRODUCT ASSEMBLY

1

Insert the **part B front wheels/steering column** into the car body.

Attach the **part A steering wheel** to the steering column with a **part 1 bolt** and **part 2 nut**.



PRODUCT ASSEMBLY

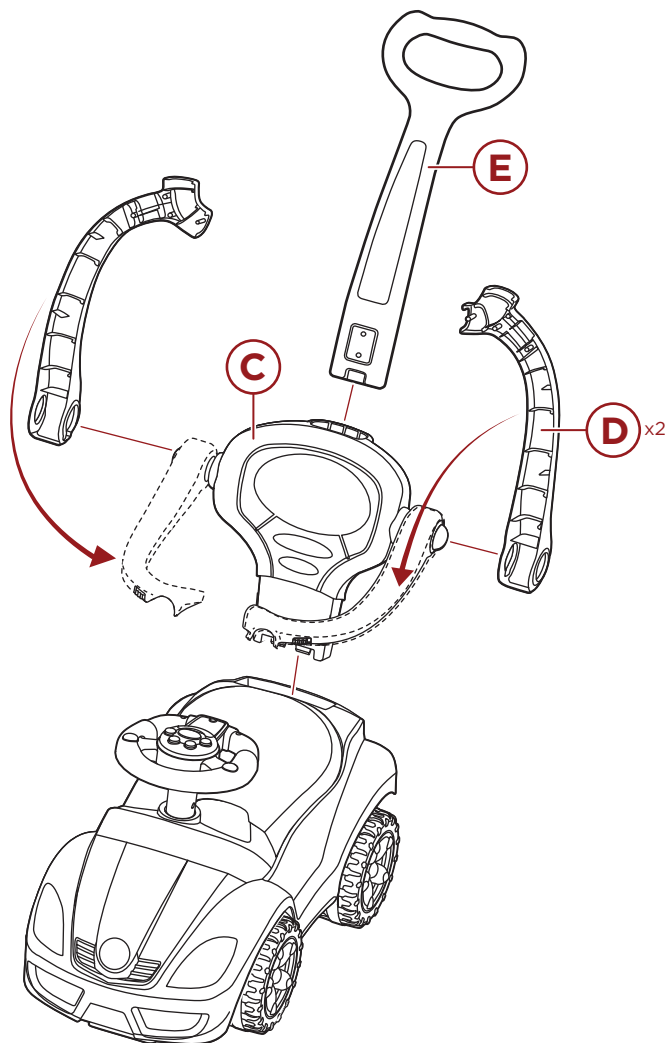
2

Insert the **part C backrest**.

Line up the tabs on the two **part D armrest railings** and slide them onto the backrest.

Rotate the railings forward and snap them onto the steering wheel.

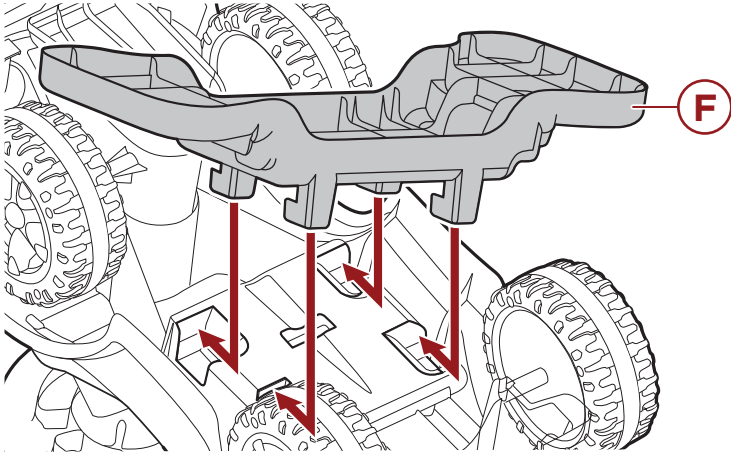
Compress the button on the **part E handle** and slide it into the backrest.



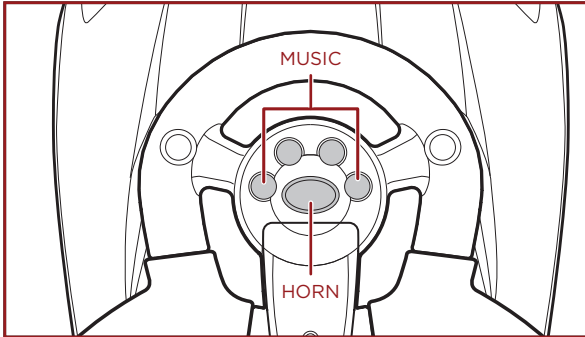
PRODUCT ASSEMBLY

3

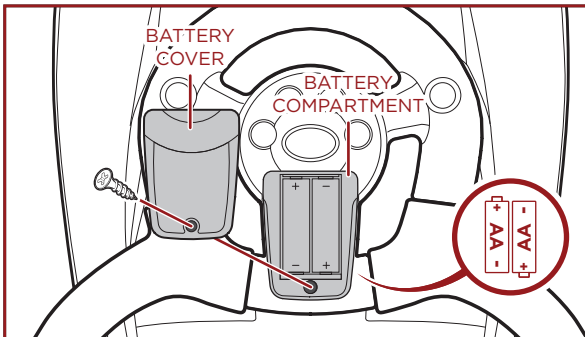
Flip vehicle over. Insert the **part F footrest** and push it forward to lock it in place.



STEERING WHEEL DIAGRAM

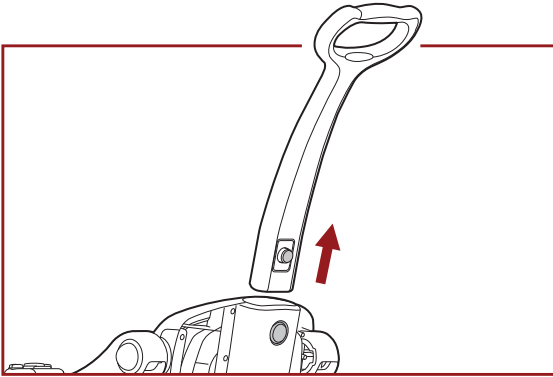


MUSIC: Play music included with the car.

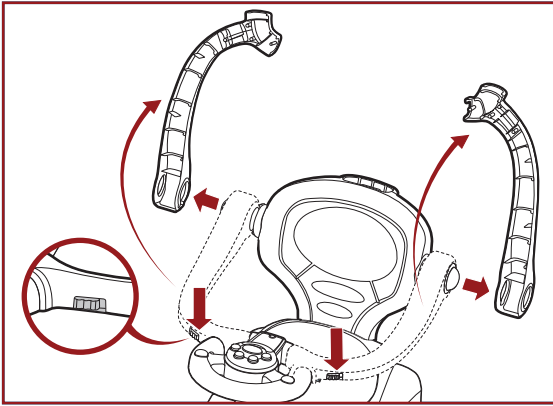


BATTERY COMPARTMENT: Unscrew battery cover from the steering wheel. Install **two AA batteries** in the battery compartment..

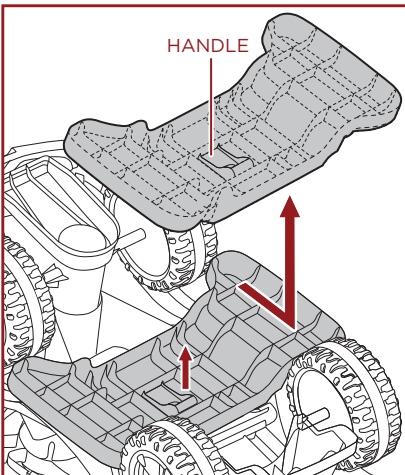
REMOVING PARTS



HANDLE: Compress the button and pull to remove.



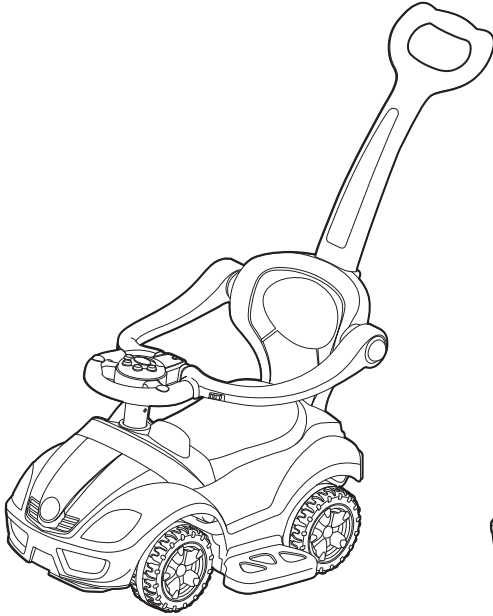
ARMREST RAILINGS: Slide the switch on the steering wheel to release one end. Rotate the armrest back, line up the tab with the opening, and pull to remove.



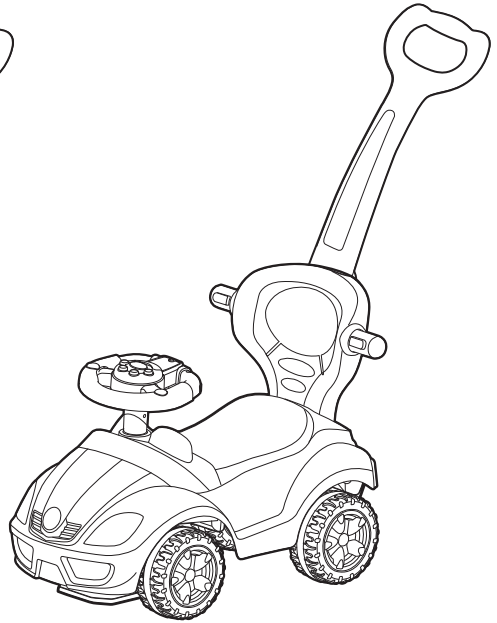
FOOTREST: Pull up on the handle, pull the footrest backwards, and remove.

CAR ARRANGEMENTS

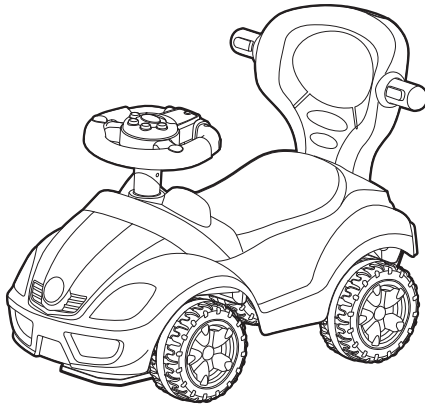
Rearrange parts to build your desired vehicle.



STROLLER

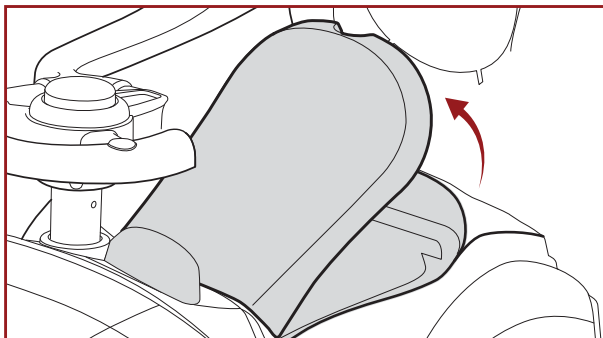


PUSH-CAR



RIDE-ON

FUNCTIONS



Convenient storage inside the seat.

CARING FOR YOUR RIDE-ON:

- Park the vehicle indoors or cover it with a tarp to protect it from wet weather.
- Do not leave the vehicle in the sun for long periods of time or fading may occur. Store in shade or cover with tarp.
- Do not wash the vehicle with a hose.
- Do not wash the vehicle with soap.

WARNINGS REGARDING BATTERIES

- Do not mix alkaline, standard (carbon zinc) and rechargeable (nickel hydride) batteries.
- Do not mix old and new batteries.
- Non-rechargeable batteries should not be charged.
- Rechargeable batteries should be charged under adult supervision only.
- Exhausted batteries should be removed.
- The supply terminals should not be short-circuited.
- Do not put batteries next to or in a heat source (fire, electronic heating device, etc.).
- Do not hit batteries against hard objects.
- Do not submerge batteries in water.
- Batteries should be inserted with the correct polarity.

Earn points while you shop. Join today!

bestchoiceproducts
rewards

Join | Earn | Redeem

Give your friends 15% off their first order! For each successful referral you'll receive 100 points.

bestchoiceproducts.com



HELP CENTER



Question about your product? We're here to help. Visit us at:

help.bestchoiceproducts.com



Chat Support



Product Inquiry



Orders FAQ



Product Assembly



Returns & Refunds

PRODUCT WARRANTY INFORMATION

All items can be returned for any reason within 60 days of the receipt and will receive a full refund as long as the item is returned in its original product packaging and all accessories from its original shipment are included. All returned items will receive a full refund back to the original payment method. All returned items will not be charged a re-stocking fee.

All returned items require an RA (Return Authorization) number, which can only be provided by a Best Choice Products Customer Service Representative when the return request is submitted. Items received without an RA may not be accepted or may increase your return processing time. Once an item has been received by Best Choice Products, refunds or replacements will be processed within 5 business days.

All returns must be shipped back to the Best Choice Products Return Center at the customer's expense. If the reason for return is a result of an error by Best Choice Products then Best Choice Products will provide a pre-paid shipping label via email. Boxes for return shipping will not be provided by Best Choice Products, and is the customer's responsibility to either use the original shipping boxes or purchase new boxes.

Pictures may be required for some returns to ensure an item is not damaged prior to its return. Items returned are not considered undamaged until they are received by Best Choice Products and verified as such. All damages to items are the customer's responsibility until the item has been received by and acknowledged by Best Choice Products as undamaged.

© Best Choice Products, Inc. All rights reserved. Distributed by Best Choice Products, Inc. Tustin, CA 92780

WARNING

Manufacturer and seller expressly disclaim any and all liability for personal injury, property damage or loss, whether direct, indirect, or incidental, resulting from the incorrect attachment, improper use, inadequate maintenance, unapproved modification, or neglect of this product.