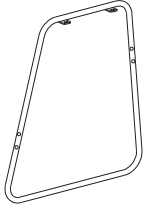
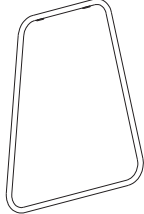



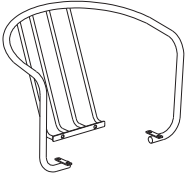

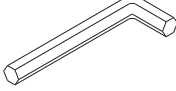

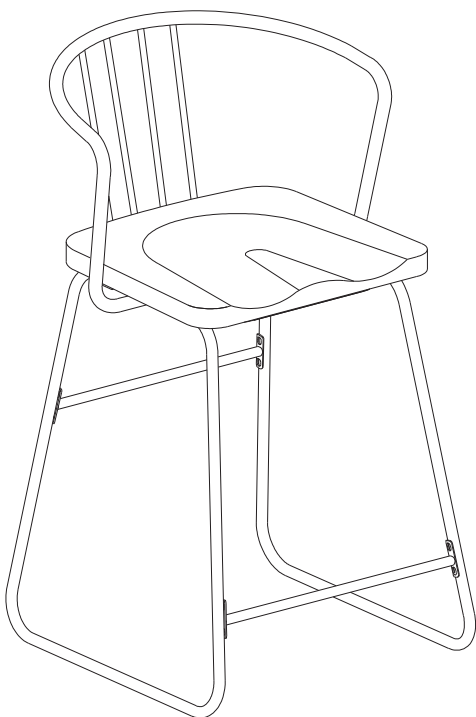


# ASSEMBLY INSTRUCTION

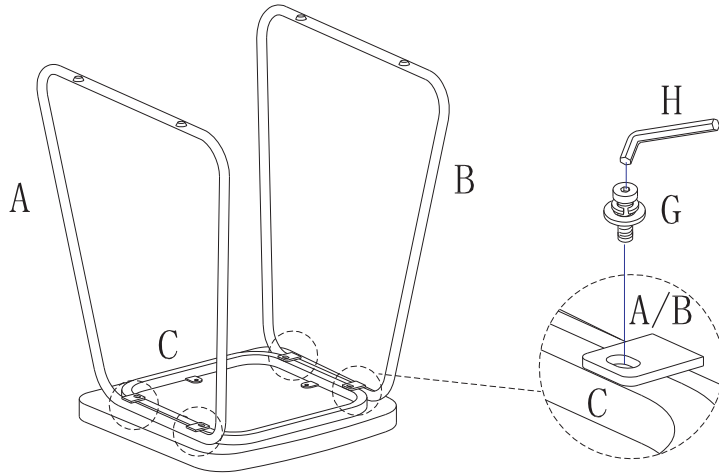
## 400-24 COUNTER HEIGHT CHAIR

<b>A</b> Left Leg	<b>B</b> Right Leg	<b>C</b> Seat	<b>D</b> Back Stretcher	<b>E</b> Front Stretcher
				
1 pc	1 pc	1 pc	1 pc	1 pc
<b>F</b> Chair Back	<b>G</b> Bolt With Lock Washer And Flat Washer 1/4", 5/8"	<b>H</b> Allen Key 3/16"	<b>I</b> Leveler 1/4", $\phi$ 5/8", 3/8"	
				
1 pc	18 pcs	1 pc	4 pcs	



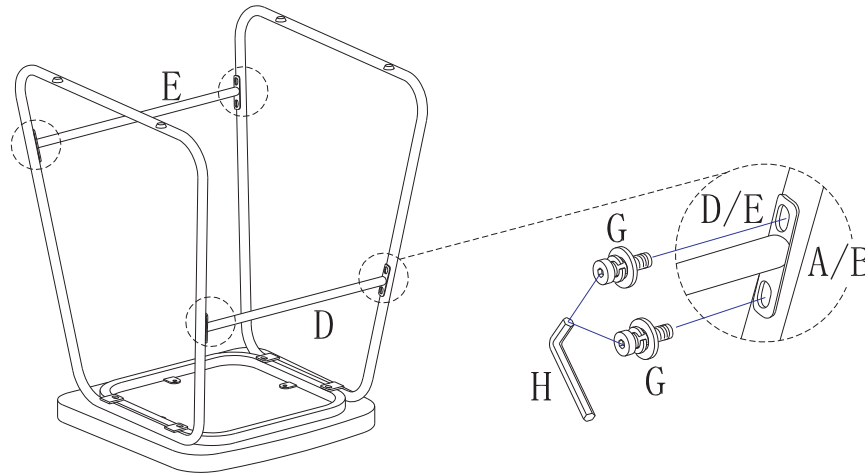
This page lists all the contents included in the box. Please take the time to identify the hardware as well as the individual components to this product. As you unpack and prepare for assembly, place the contents on a carpeted or padded area to protect them from damage.

- 1** Put the Seat (C) on a smooth and stable working stand. Attach the Left Leg (A) and Right Leg (B) to the Seat (C), using Bolt With Lock Washer And Flat Washer (G) and Allen Key (H) to tighten.

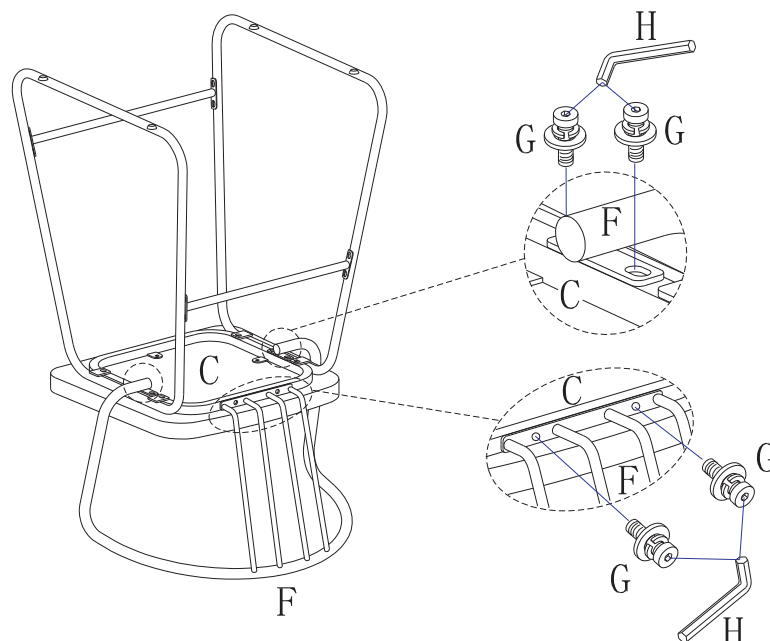


Take the Allen Key, and turn the bolts until the legs are secure. DO NOT TIGHTEN COMPLETELY. Stop when you feel you are adding force to tighten the bolt.

- 2** Attach the Back Stretcher (D) and Front Stretcher (E) to Left Leg (A) and Right Leg (B), using the Bolt With Lock Washer And Flat Washer (G) and Allen Key (H) to tighten.



- 3** Attach Chair Back (F) to the Seat (C), using the Bolt With Lock Washer And Flat Washer (G) and Allen Key (H) to tighten.

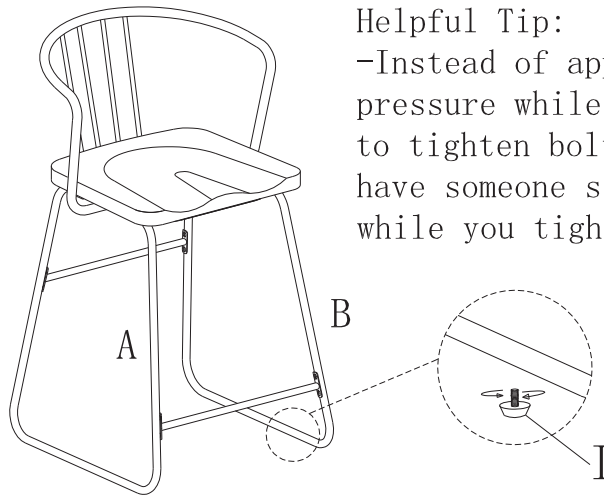


---

**4**

Attach the Leveler (I) to the Left Leg (A) and Right Leg (B).

Stand chair up on an even surface and check that it is balanced. If there is a slight wobble, apply downward pressure in the corner where a leg is uneven. Keeping pressure in that corner, tighten all bolts. If balanced, apply downward pressure evenly in the center and tighten all bolts. Do not over-tighten beyond hole depth.



Helpful Tip:

-Instead of applying downward pressure while reaching under to tighten bolts, have someone sit in the chair while you tighten the bolts.

---

### Cleaning & Care

Treat surface with care. Surface is resistant to scratches but is not scratch resistant. Clean surfaces with a dry or damp soft cloth. Do not use abrasive cleaners. Hardware may loosen over time. Periodically check that all connections are tight.