



# Ensemble™ Tile

60" x 42" Vikrell® bath/shower, left above-floor drain  
71110112



### Features

- 18-1/4 apron
- Tongue-and-groove walls with snap-together installation
- Tile look
- Corner shelves; built-in armrests and contoured back
- 3" (76 mm) drain-to-floor clearance for above-floor drain installation

### Material

- Made from solid Vikrell® material for strength, durability, and lasting beauty

### Installation

- Alcove
- Left drain
- Some caulk required for proper installation

### Included Components

- 71114100 60" x 42" Vikrell® bath/shower wall set
- 71111112 60" x 42" Vikrell® bath, left above-floor drain



### Codes/Standards

- CSA B45.5/IAPMO Z124
- ASTM E162
- ASTM E662
- HUD, UM Bulletin 73


### STERLING® Vikrell® or Acrylic Baths and Shower Bases Ten-Year Limited Warranty

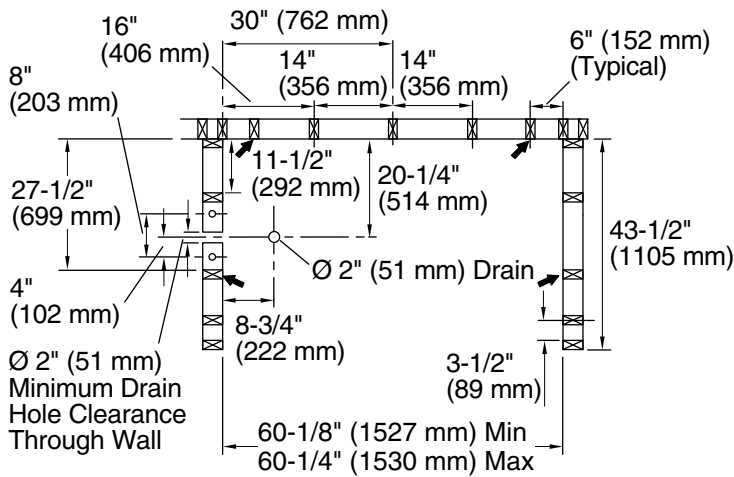
See website for detailed warranty information.


### Available Colors/Finishes

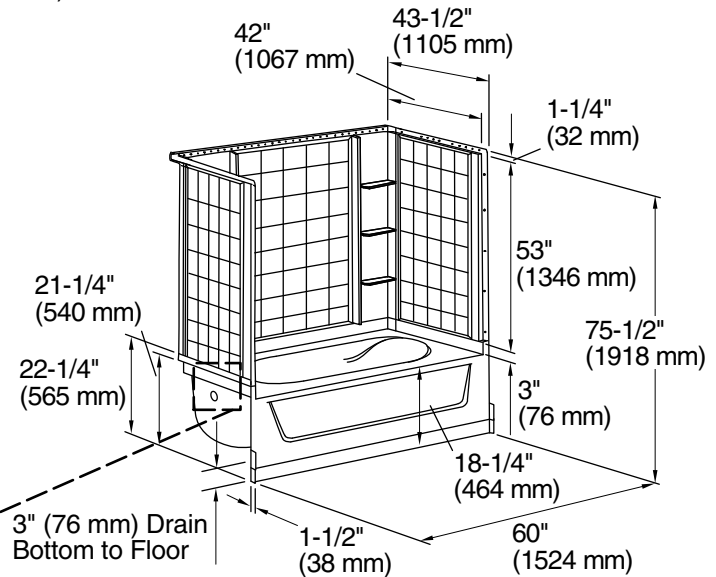
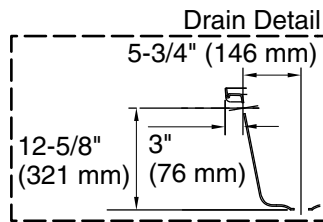
*Color tiles intended for reference only.*

Color	Code	Description
-------	------	-------------

	0	White
---	---	-------



 Recommended Support Clip Location (4 Total)



**Technical Information**

All product dimensions are nominal.

Drain location:	Left
Basin area, bottom:	40" x 27" (1016 mm x 686 mm)
Basin area, top:	52" x 35" (1321 mm x 889 mm)
Water depth:	11" (279 mm)
Water capacity:	55 gal (208.2 L)
Minimum flat for door:	3-1/4" (83 mm)
Maximum door height:	55-3/4" (1416 mm)
Maximum door width:	58-1/2" (1486 mm)

**Notes**

Install this product according to the installation instructions.  
Studs should be positioned roughly as shown. Double studding is recommended for pivot shower door installations.