

SPECIFICATIONS



Features/Benefits

- Diverter on Three Handle Valve Center
- Threaded Spout
- Includes Cast Brass Valve Body on 8" Center with Sliding Sleeve Escutcheon or Threaded Escutcheon
- Includes Compression Cartridges
- 1.75 gpm (6.6 L/min) Max Flow @ 80 psi
- Includes Viper™ Single Function Showerhead G0049108
- 6" Threaded Shower Arm

SKU# Numbers

G0048031

G0048030	Tub & Shower, IPS/Sweat, Threaded Escutcheon
G004803083	Tub & Shower, IPS/Sweat, Sliding Sleeve Escutcheon
G0748030	Tub & Shower, IPS/Sweat, Threaded Escutcheon
G074803083	Tub & Shower, IPS/Sweat, Sliding Sleeve Escutcheon
G0048031	Tub & Shower, Sweat, Threaded Escutcheon
G004803183	Tub & Shower, Sweat, Sliding Sleeve Escutcheon
G0748031	Tub & Shower, Sweat, Threaded Escutcheon
G074803183	Tub & Shower, Sweat, Sliding Sleeve Escutcheon

Prefixes Available


07- Metal Fluted Handle

Suffixes Available

-83 Sliding Sleeve Escutcheon

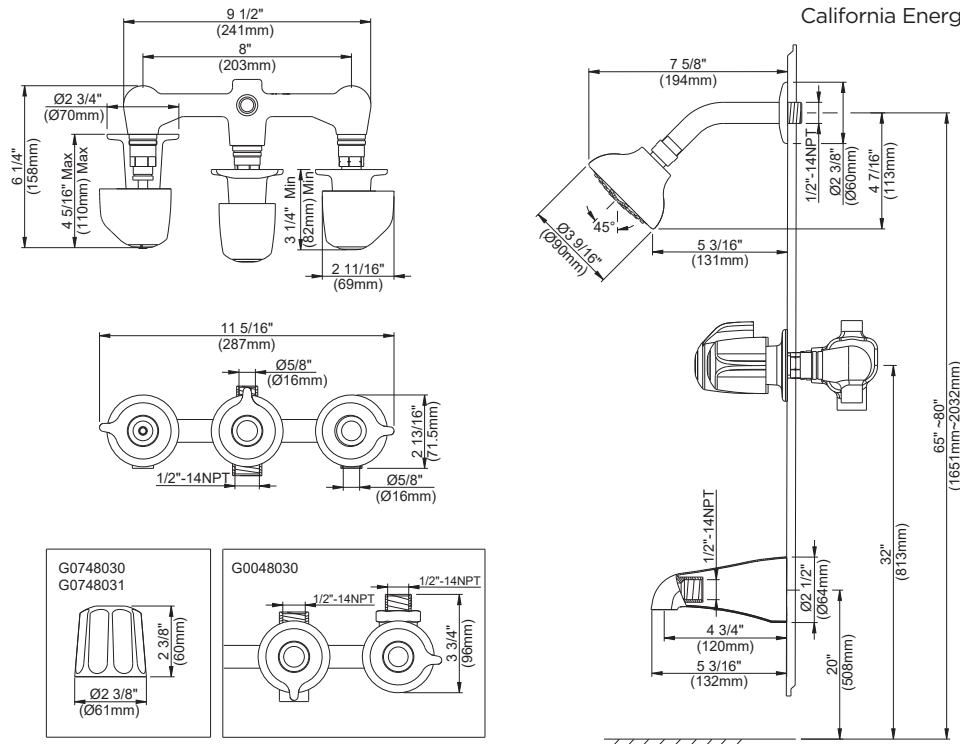
Available Color/Finishes

Color tiles intended for reference only.

Color	Code	Description
		Chrome

Standards & Certifications

ASME A112.18.1/CSA B125.1
EPA WaterSense®
ADA for lever handle control
California Energy Commission (CEC)



Submittal Information:

Name: _____

Contractor: _____

Location: _____

Contact #: _____