

Installation Instructions

Linear Drain Extension

Record your model number:
Noter le numéro de modèle:
Anoté su número de modelo: _____

Français, page 6
Español, página 10

KOHLER®

Thank You for Choosing KOHLER

Need help? Contact our Customer Care Center.

- USA/Canada: 1-800-4KOHLER (1-800-456-4537) Mexico: 001-800-456-4537
- Service parts: kohler.com/serviceparts
- Care and cleaning: kohler.com/clean
- Patents: kohlercompany.com/patents

Warranty

This product is covered under the KOHLER® One-Year Limited Warranty, found at kohler.com/warranty. For a hardcopy of warranty terms, contact the Customer Care Center.

Before You Begin

NOTE: To install this product, the 1-1/4" (K-32619) or 2-1/2" (K-80646) linear drain is required.

NOTE: Before beginning installation, refer to the "Linear Drain" Installation Instructions for required tools and additional information.

NOTE: For lengths greater than 96" (2438 mm), use multiple linear drain extension kits.

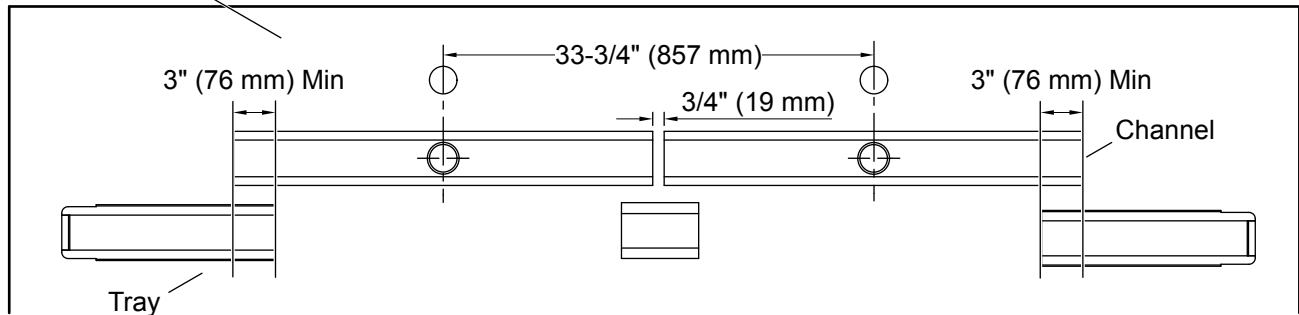
NOTE: Multiple drain grates (sold separately) are required for lengths greater than 60".

NOTE: Trimming may be required for proper fit. When possible, trim the center channel instead of the end tray.

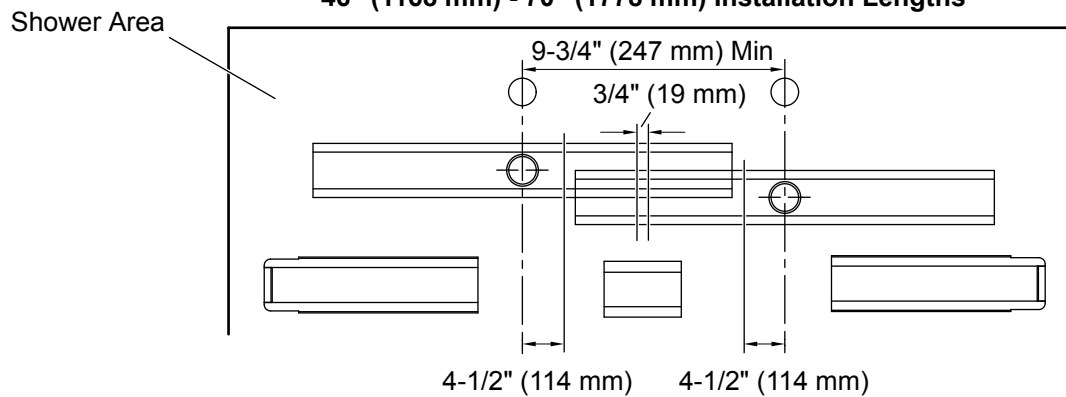
NOTE: It is recommended to install the floor pipes simultaneously with the drain to verify proper fitment.

1. Prepare the Drain

70" (1778 mm) - 96" (2438 mm) Installation Lengths



46" (1168 mm) - 70" (1778 mm) Installation Lengths

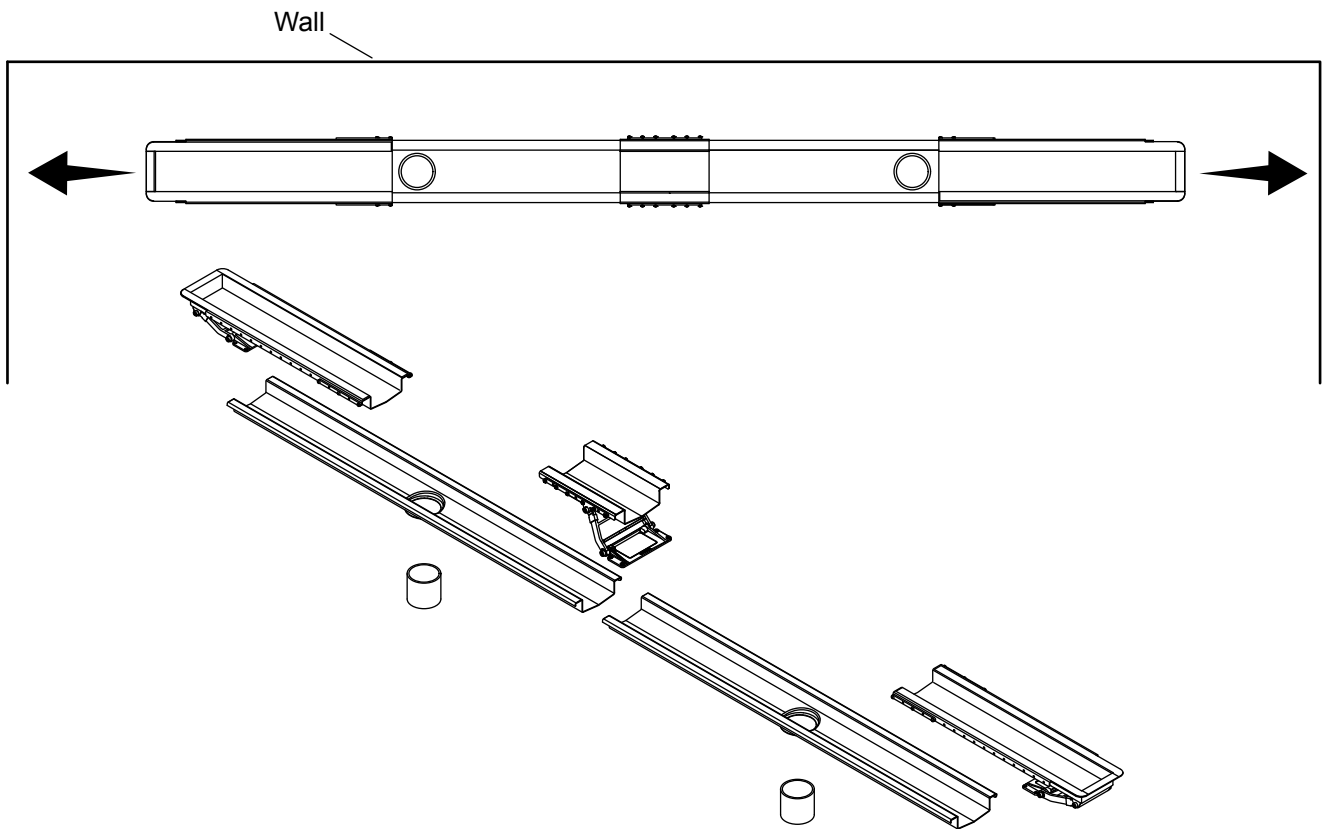


NOTE: When assembled with the 1-1/4" or 2-1/5" linear drain, the length of the drain is adjustable from 70" (1778 mm) to 96" (2438 mm). No trimming is required.

NOTE: Trimming of the center channels is required for drain installation lengths of 46" (1168 mm) to 70" (1778 mm).

- Position the drain parts next to the floor drain pipes, aligning the holes on the center channels with the drain pipes. The end trays should overlap the drain channels a minimum of 3" (76 mm).
- Check if the channels or trays will interfere with the drain hole clearance.
- Trim the channels as needed.

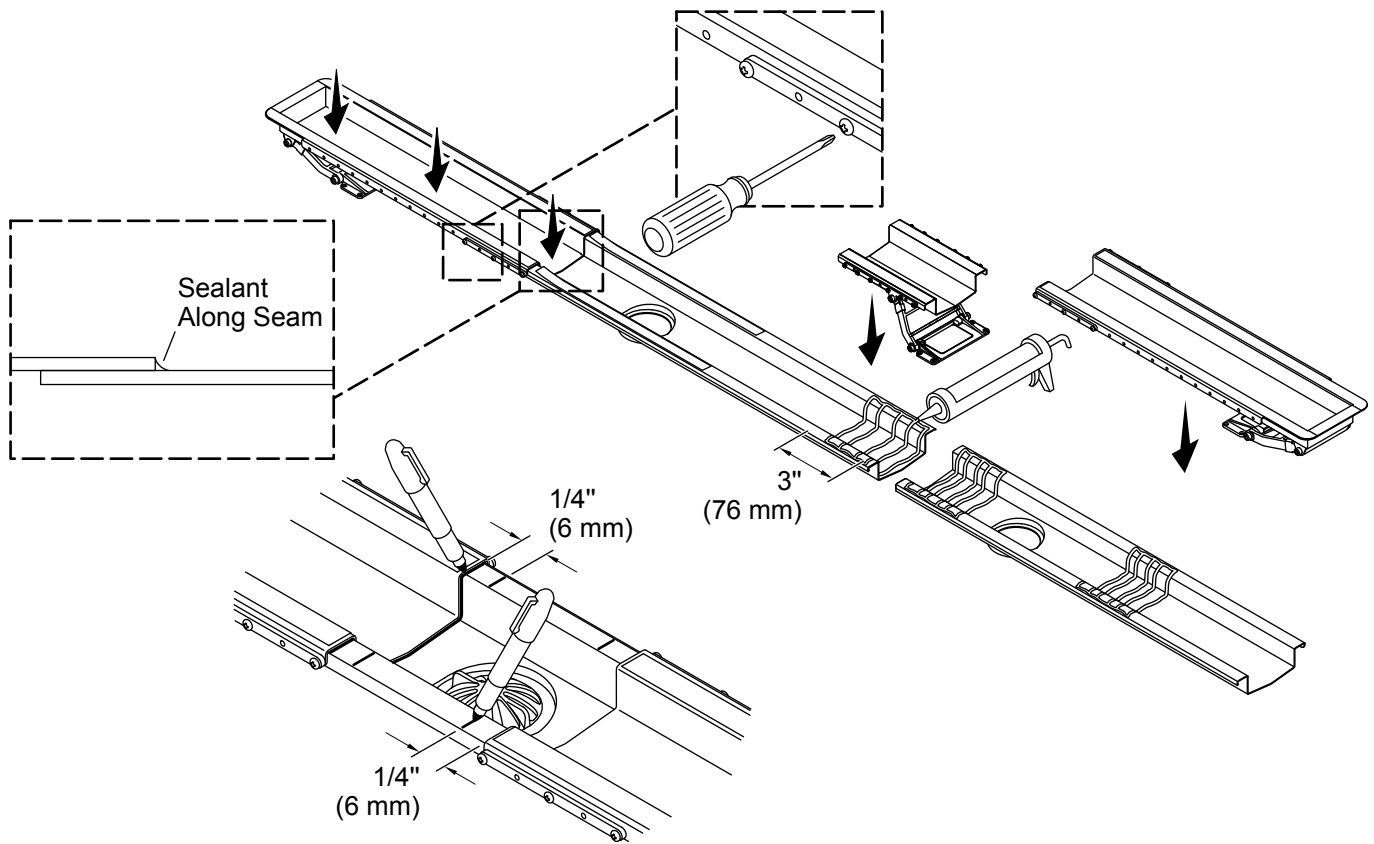
2. Set the Drain Position



NOTE: To determine the proper drain height and position, refer to the "Roughing-In" and "Dry Fit the Drain" section in the "Linear Drain" Installation Instructions.

- Loosely assemble the drain and dry fit to the floor drain pipes.
- Position the drain parallel to the wall.
- Slide the side trays toward the walls.

3. Assemble the Drain



NOTE: For detailed drain assembly steps, refer to the "Prepare the Drain" and "Assemble the Drain" sections in the "Linear Drain" Installation Instructions.

- Mark the tray locations on the center channels.
- Mark and trim the protective film at the 1/4" (6 mm) marks.
- Clean the drain surfaces, taking care not to wipe away the traced lines.
- Apply a continuous bead of 100% silicone sealant, spanning 3" (76 mm) from the marked tray location.
- Position the tray on the marked location, and firmly press into the channel.
- Secure the tray with the screws. Verify that the assembled channel is straight and level.

NOTE: If the end trays are cut beyond the threaded holes, use the included 6-32 self-tapping screws through the unthreaded holes in the side trays. Partially thread all screws before tightening to verify that the channels are assembled straight and level.

- Repeat for the remaining trays.
- Refer to the "Linear Drain" Installation Instructions to complete the installation.