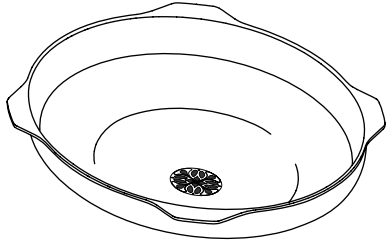


Installation Guide

Undercounter Lavatory

K-14297

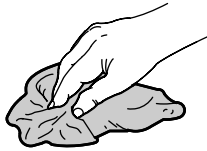
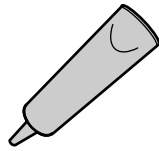
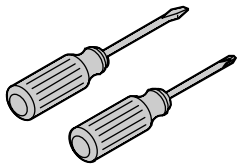


M product numbers are for Mexico (i.e. K-12345**M**)
Los números de productos seguidos de
M corresponden a México (Ej.
K-12345**M**)
Français, page "Français-1"
Español, página "Español-1"

THE BOLD LOOK
OF **KOHLER**®

1114039-2-A

Tools and Materials



Silicone Sealant

Rags

Sealant Tape

Before You Begin

IMPORTANT! Bronze is easily scratched. Avoid contact with metal objects.

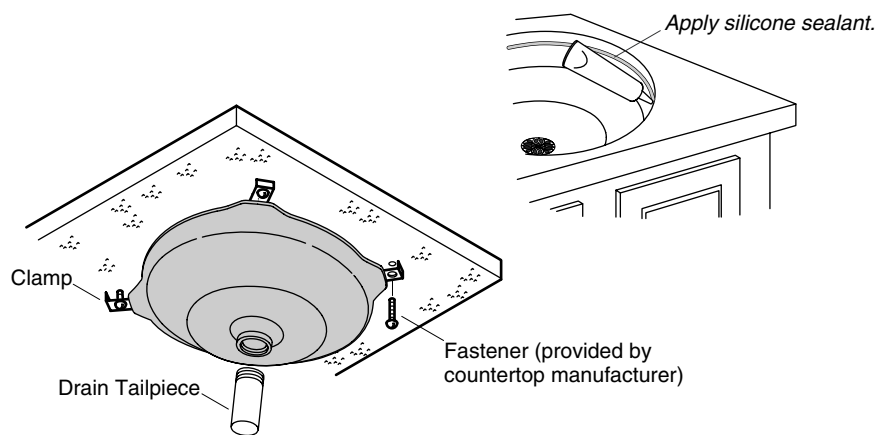
- Observe all local plumbing and building codes.
- Provide your countertop manufacturer with your lavatory model number when ordering your countertop.
- Countertop manufacturer should preinstall the anchors into the underside of the countertop. Use the anchors and fasteners provided by the countertop manufacturer and the clamps provided with your lavatory.

NOTE: Do not use adhesives or adhesive sealants with this product. Only use silicone sealant.

- Install so future removal from underneath the countertop is possible. This will avoid countertop damage.
- Kohler Co. reserves the right to make revisions in the design of products without notice, as specified in the Price Book.

1. Preparation

- Install the water supplies and drain piping according to the roughing-in information.
- Verify cabinet clearance beneath the countertop to accommodate lavatory basin, faucet valving, and drain piping.
- Install the faucet to the countertop according to the manufacturer's instructions.



2. Install the Lavatory

- Apply sealant tape to the threads of the drain tailpiece.
- Thread the drain tailpiece into the underside of the lavatory.

NOTE: Do not use adhesives or adhesive sealants with this product. Only use silicone sealant.

- Apply a continuous bead of silicone sealant to the top surface of the lavatory rim where it will contact the countertop.
- Position the lavatory and gently press into place.
- Loosely secure the lavatory to the countertop using the clamps provided with the lavatory and the fasteners provided by the countertop manufacturer.
- Verify the lavatory position within the cutout before tightening the clamps. Draw the lavatory rim up against the countertop until it is snug. **Do not overtighten.**
- Immediately wipe away any excess sealant and fill any voids as needed. Allow the sealant to set for 30 minutes before proceeding.
- Connect and tighten the trap to the drain. Complete the water supply connections to the faucet according to the instructions packed with the faucet.
- Run water into the lavatory and check for leaks.