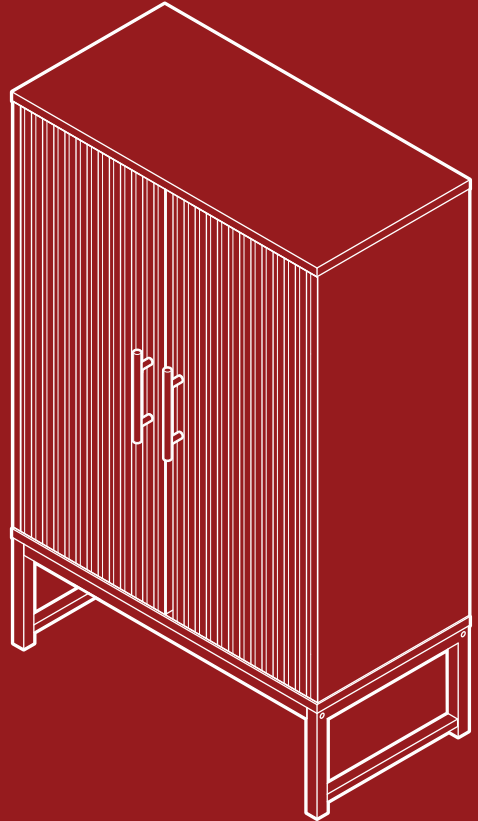




BEST CHOICE
PRODUCTS



INSTRUCTION MANUAL

2-Door Rattan Cabinet



**BEST CHOICE
PRODUCTS**

As shoppers, we're always trying to find the perfect balance between quality & value. At BCP, we believe we've achieved that. Our diverse catalog of everyday essentials is tailored especially to our customers & guaranteed to hit that sweet spot of high quality & low price.

— Always. —



99 LBS
CABINET TOP
CAPACITY



44 LBS
TOP SHELF
CAPACITY



99 LBS
CABINET BOTTOM
CAPACITY



2 PERSON
ASSEMBLY



UP TO 60 MIN.
ASSEMBLY

! NOTICE

Please retain these instructions for future reference.

- Please do not exceed the weight limitations of this item.
- Do not stand on or use any part of this item as a step ladder.
- Firmly secure all bolts, screws, and knobs before use.
- Reconfirm that all bolts, screws, and knobs are secure every 90 days.
- Fasten screws loosely during initial assembly. Do not firmly tighten the screws until the item is completely assembled.
- Do not use or store this item in the proximity of open flame or flammable/combustible chemicals.
- Be aware that some parts are heavy and have sharp edges.
- If any parts are missing, broken, damaged, or worn, stop using this product until repairs are made and/or factory replacement parts are installed.
- Do not use this item in a way inconsistent with the manufacturer's instructions as this could void the product warranty.
- This product is intended for residential use only.

TOOLS REQUIRED



PHILLIPS
SCREWDRIVER

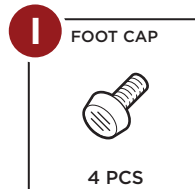
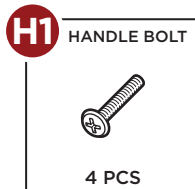
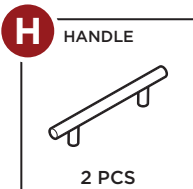
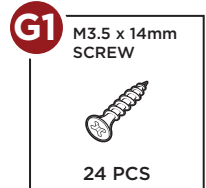
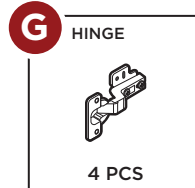
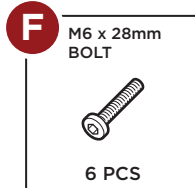
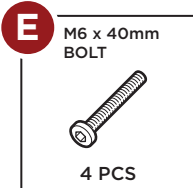
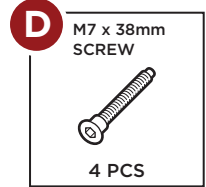
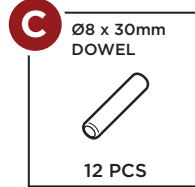
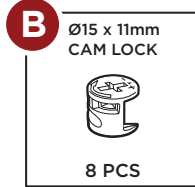
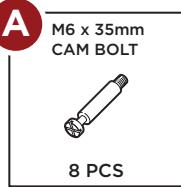


M6 ALLEN WRENCH
(PROVIDED)



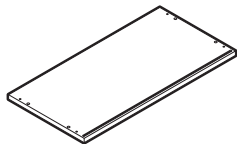
POWER DRILL
(RECOMMENDED)

HARDWARE



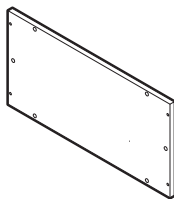
PARTS

1 CABINET TOP



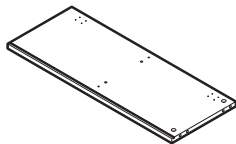
1 PC

2 CABINET BOTTOM



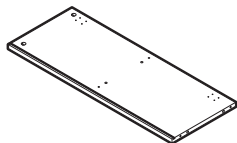
1 PC

3 CABINET LEFT SIDE



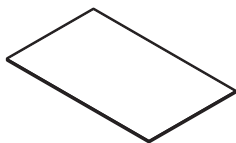
1 PC

4 CABINET RIGHT SIDE



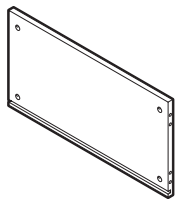
1 PC

5 CABINET BACK PANEL



2 PCS

6 SHELF



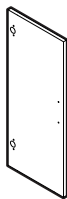
1 PC

7 LEFT DOOR



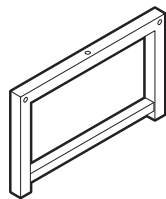
1 PC

8 RIGHT DOOR



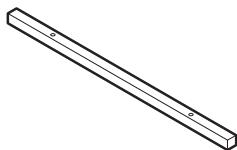
1 PC

9 BASE SIDE FRAME



2 PCS

10 BASE FRAME CONNECTOR

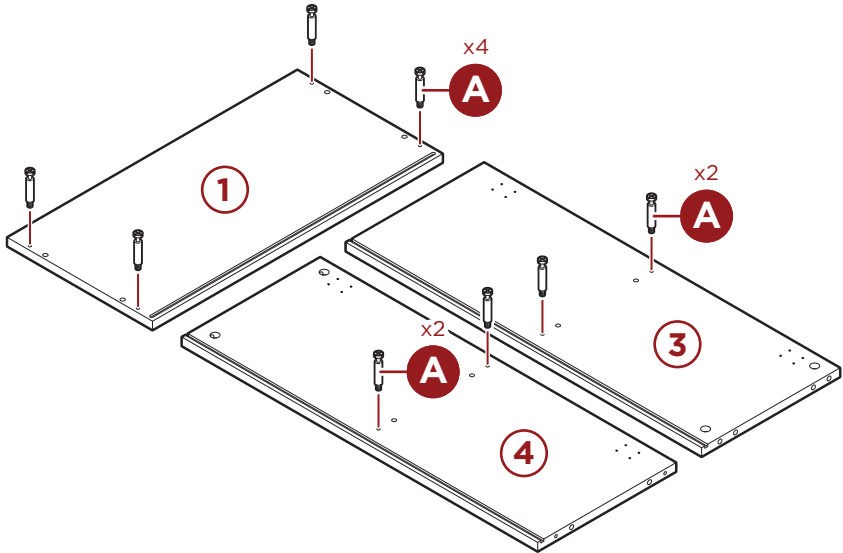


2 PCS

BEFORE ASSEMBLY

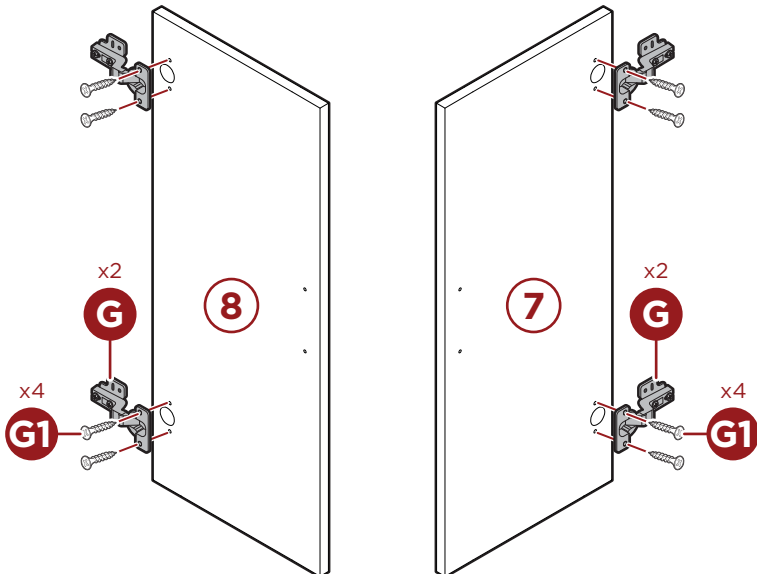
1

- Insert four **part A** cam bolts into the **part 1** cabinet top.
- Insert two **part A** cam bolts into the **part 3** left side.
- Insert two **part A** cam bolts into the **part 4** right side.



2

- Attach two **part G** hinges to the **part 7** left door with four **part G1** screws, two screws per hinge.
- Attach two **part G** hinges to the **part 8** right door with four **part G1** screws, two screws per hinge.



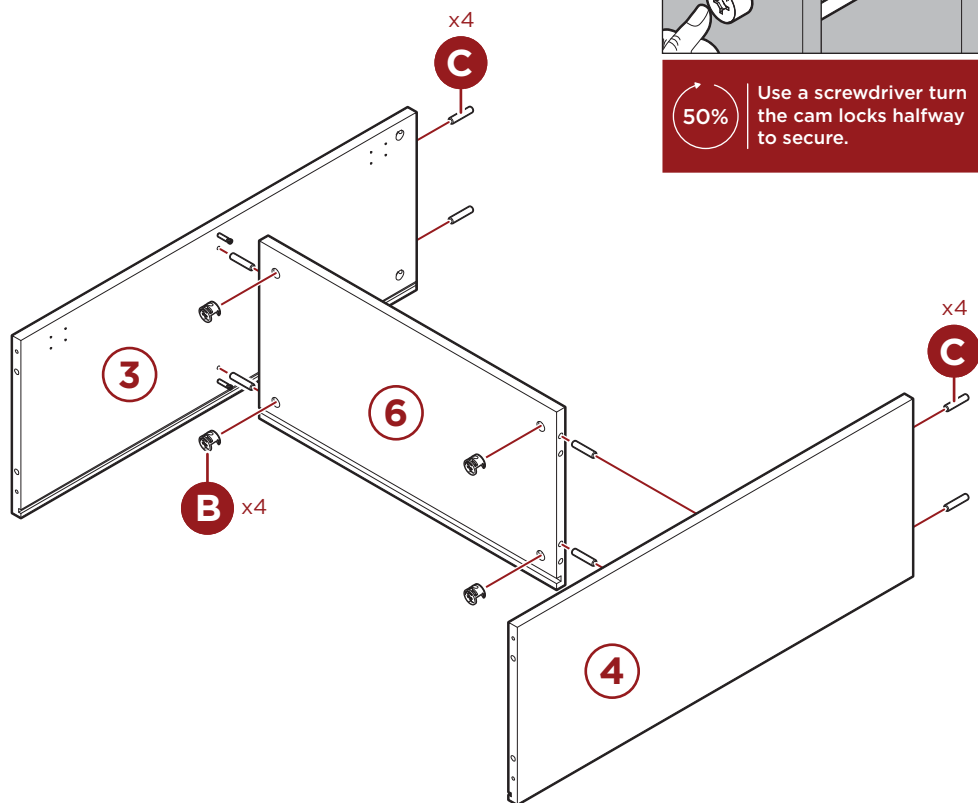
PRODUCT ASSEMBLY

1

Attach the **part 6 shelf** to the **part 3 left side** with two **part C dowels** and two **part B cam locks**, turn the cam locks halfway to secure.

Attach the **part 6 shelf** to the **part 4 right side** with two **part C dowels** and two **part B cam locks**, turn the cam locks halfway to secure.

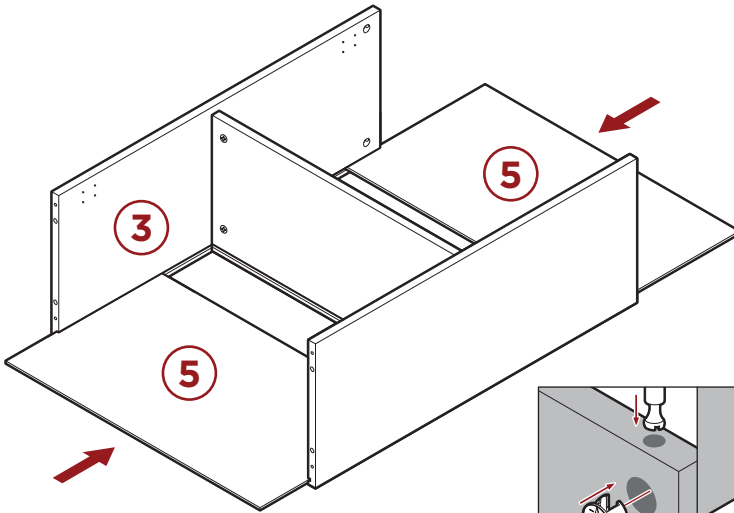
Insert two **part C dowels** into the top of the **part 3 & 4 left/right sides**, four dowels total.



PRODUCT ASSEMBLY

2

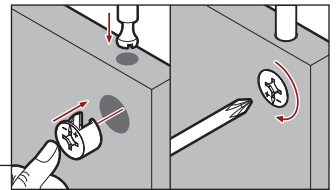
Slide two **part 5 cabinet back panels** into their designated grooves on the **part 3 & 4 left/right sides**, into the receiving grooves of the **part 6 shelf**.



3

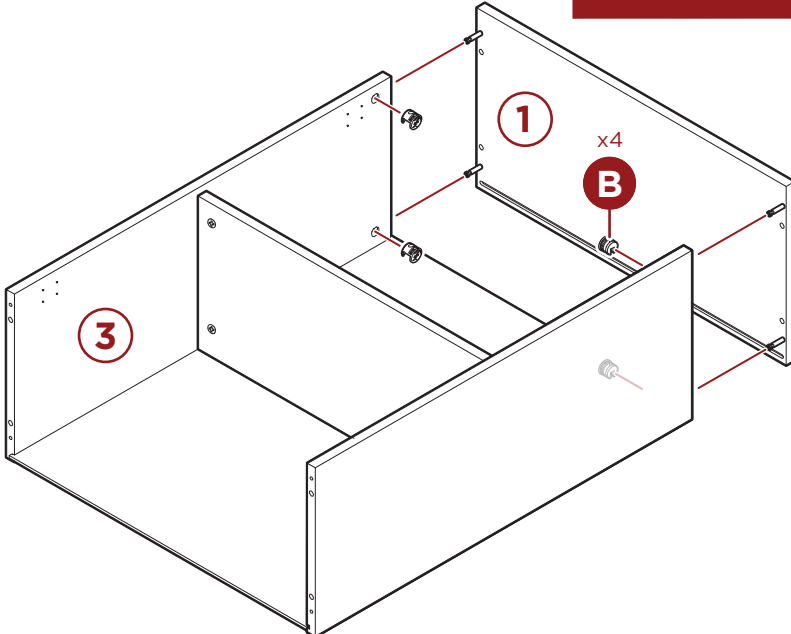
Insert two **part B cam locks** each into the **part 3 & 4 left/right sides**, four locks total.

Locate the **part 1 cabinet top** and attach it to the **part 3 & 4 left/right sides** and turn the cam locks to secure.



100%

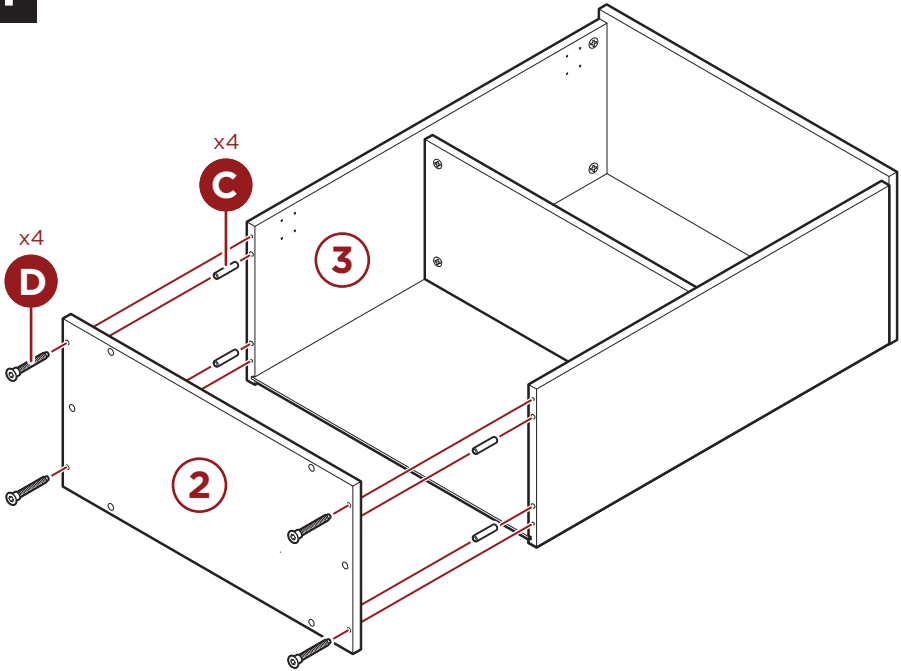
Use a screwdriver
turn the cam locks
to secure.



PRODUCT ASSEMBLY

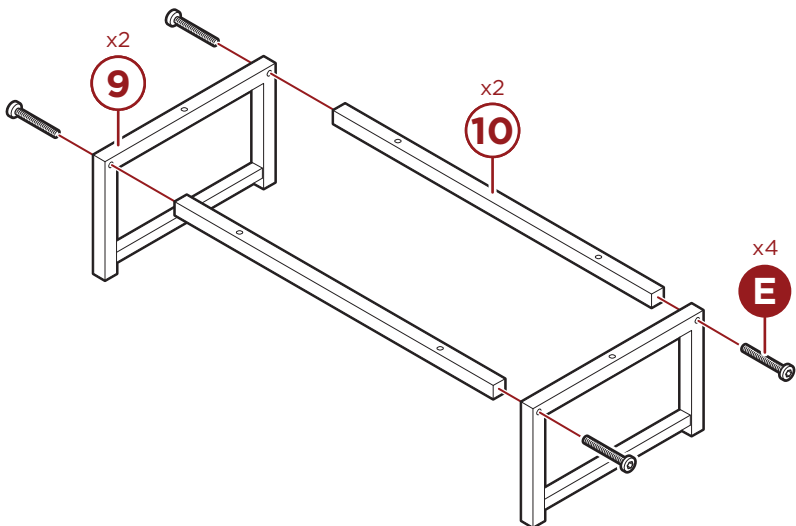
4

Insert two **part C** dowels each into the **part 3 & 4** left/right sides then attach the **part 2** cabinet bottom, secure with four **part D** screws.



5

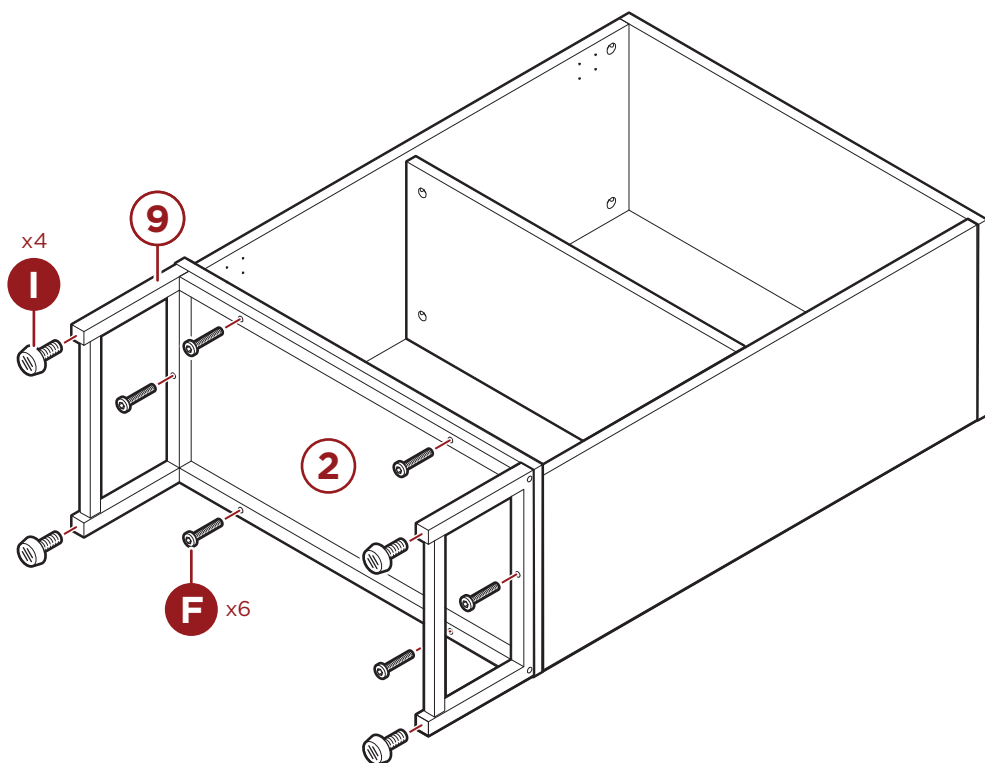
Attach two **part 10** base frame connectors to one **part 9** base side frame with two **part E** bolts, connect the remaining side frame with two more **part E** bolts.



PRODUCT ASSEMBLY

6

Attach the base frame assembly to the **part 2 cabinet bottom** with six **part F bolts**.
Screw four **part I foot caps** into the **part 9 side frames**, adjust so all feet are level.

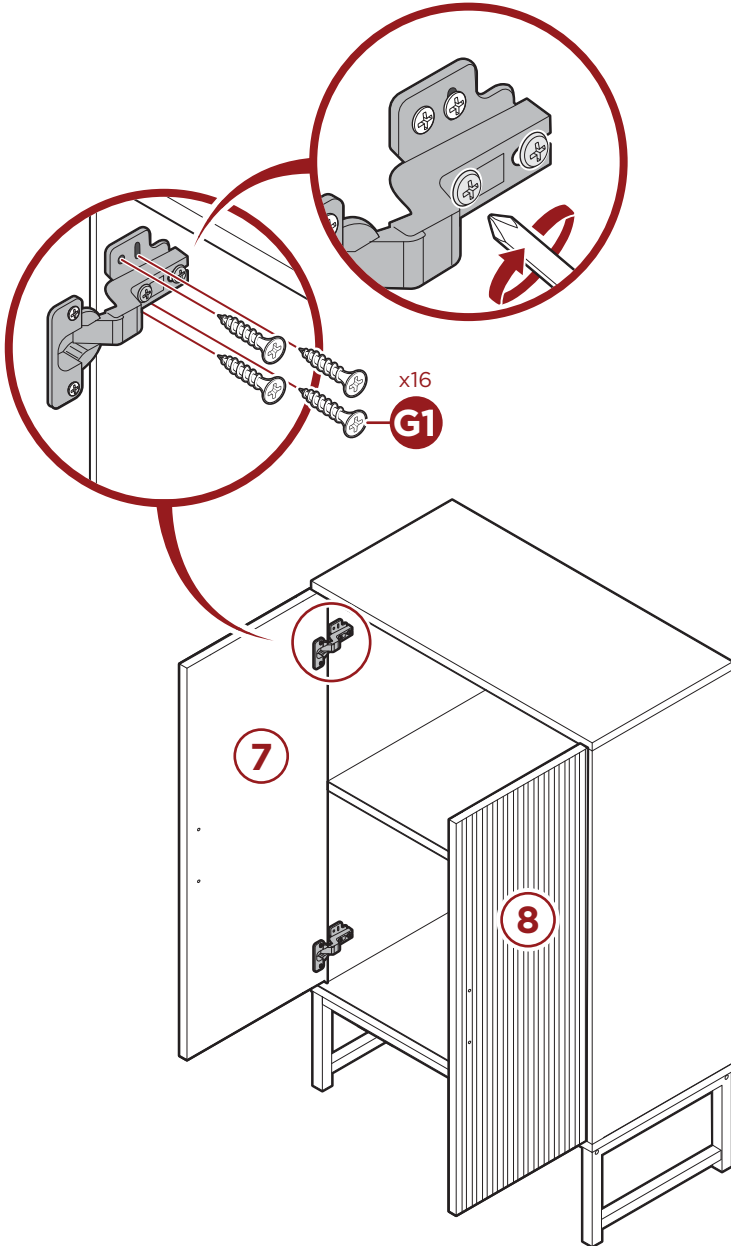


PRODUCT ASSEMBLY

7

Attach the **part 7 and 8 left and right doors** to the **part 2 and 3 right and left sides** by securing sixteen **part G1 screws**, to the **part G hinges**, four screws per hinge.

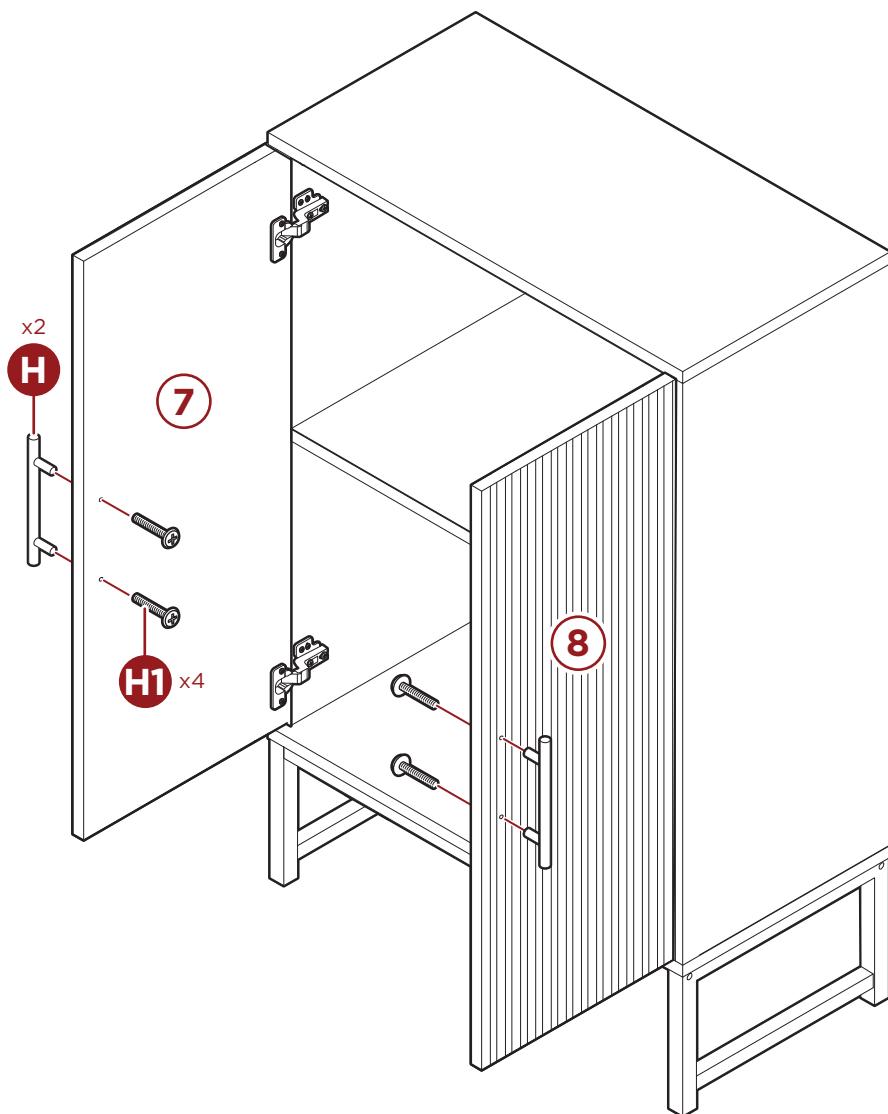
NOTE: Use a philip's screwdriver to secure the (2) pre-installed screws on each hinge after attaching the **part G1 screws** to adjust the position of the doors.



PRODUCT ASSEMBLY

8

Attach one **part H** handle to the **part 7** left door with two **part H1** screws, then repeat to attach a second handle to the **part 8** right door.





HELP CENTER



Question about your product? We're here to help. Visit us at:

help.bestchoiceproducts.com



Chat Support



Product Inquiry



Orders FAQ



Product Assembly



Returns & Refunds

PRODUCT WARRANTY INFORMATION

All items can be returned for any reason within 60 days of the receipt and will receive a full refund as long as the item is returned in its original product packaging and all accessories from its original shipment are included. All returned items will receive a full refund back to the original payment method. All returned items will not be charged a re-stocking fee.

All returned items require an RA (Return Authorization) number, which can only be provided by a Best Choice Products Customer Service Representative when the return request is submitted. Items received without an RA may not be accepted or may increase your return processing time. Once an item has been received by Best Choice Products, refunds or replacements will be processed within 5 business days.

All returns must be shipped back to the Best Choice Products Return Center at the customer's expense. If the reason for return is a result of an error by Best Choice Products then Best Choice Products will provide a pre-paid shipping label via email. Boxes for return shipping will not be provided by Best Choice Products, and is the customer's responsibility to either use the original shipping boxes or purchase new boxes.

Pictures may be required for some returns to ensure an item is not damaged prior to its return. Items returned are not considered undamaged until they are received by Best Choice Products and verified as such. All damages to items are the customer's responsibility until the item has been received by and acknowledged by Best Choice Products as undamaged.

© Best Choice Products, Inc. All rights reserved. Distributed by Best Choice Products, Inc. Newport Beach, CA 92660

WARNING

Manufacturer and seller expressly disclaim any and all liability for personal injury, property damage or loss, whether direct, indirect, or incidental, resulting from the incorrect attachment, improper use, inadequate maintenance, unapproved modification, or neglect of this product.