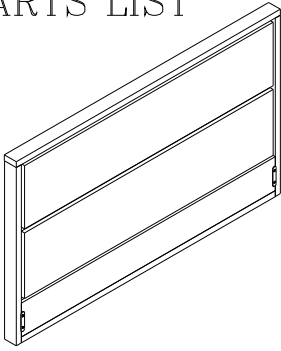
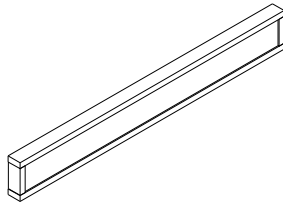


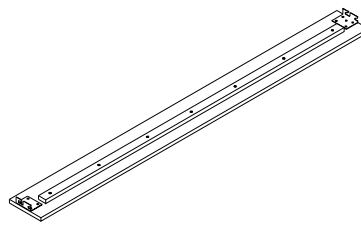
## PARTS LIST



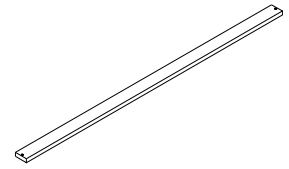
NAME: HEADBOARD  
CODE: 1  
QTY: 1Pc



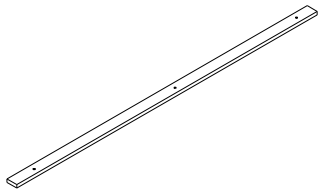
NAME: FOOTBOARD  
CODE: 2  
QTY: 1Pc



NAME: SIDE RAIL  
CODE: 3  
QTY: 2Pcs



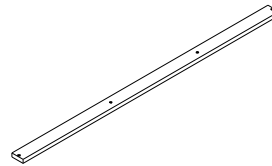
NAME: BED SLATS  
CODE: 4  
QTY: 8Pcs



NAME: CENTER BAR  
CODE: 5  
QTY: 2Pcs



NAME: SUPPORT STAND  
CODE: 6  
QTY: 6Pcs



NAME: BED SLATS  
CODE: 7  
QTY: 4Pcs



NAME: BOTTOM SUPPORT  
CODE: 8  
QTY: 4Pcs

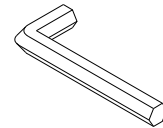
## HARDWARE LIST



NAME: JCBB M8X20mm  
CODE: A  
QTY: 8Pcs



NAME: CHIPBOARD SCREW M4X32mm  
CODE: B  
QTY: 32Pcs

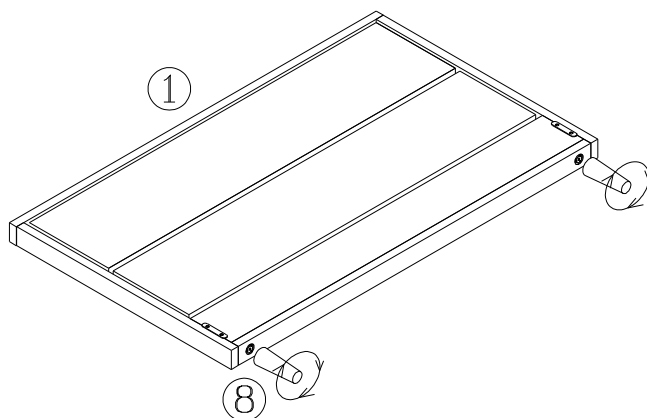


NAME: ALLEN KEY M5  
CODE: C  
QTY: 1Pc

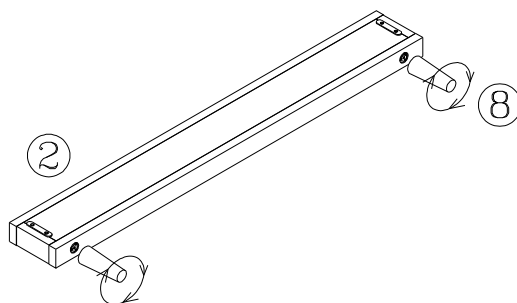


QUEEN BED

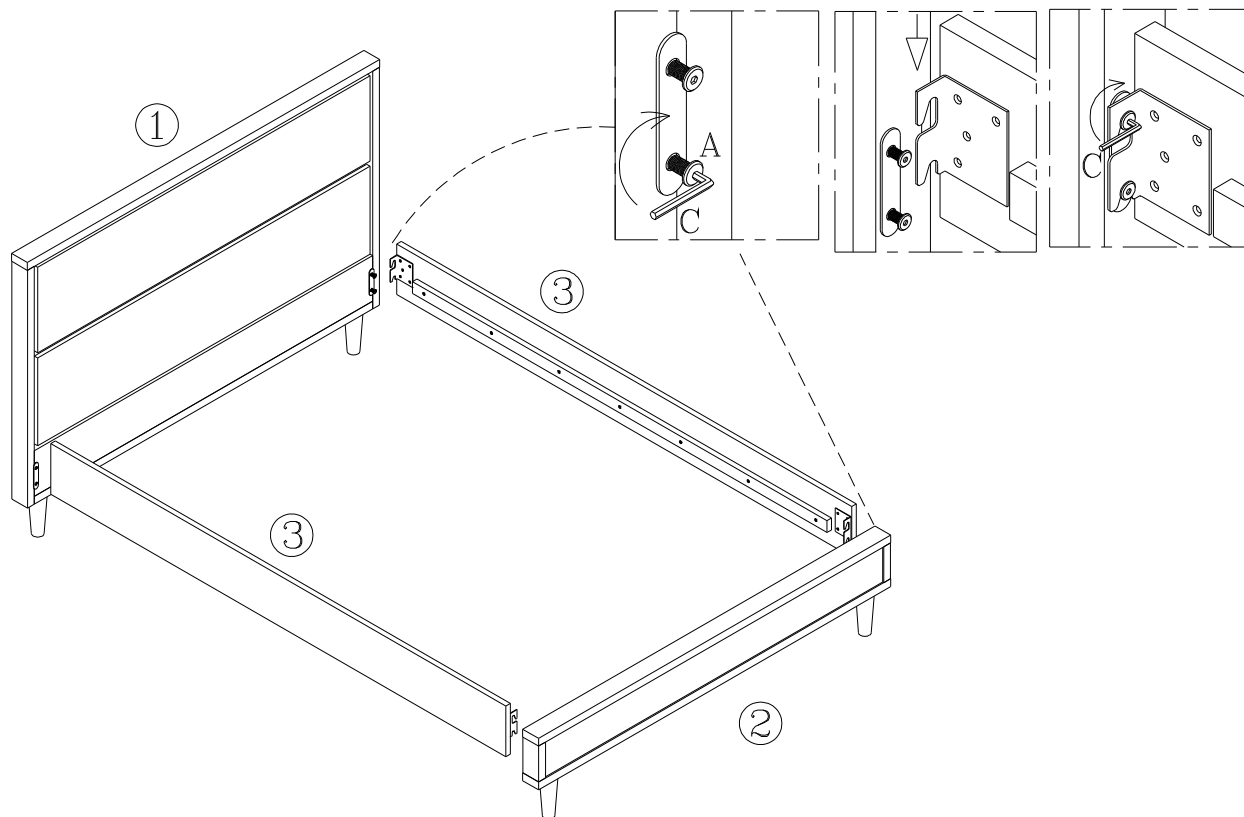
-THE UNIT SHOULD BE ASSEMBLED BY 2 OR MORE PEOPLE  
-EXTRA HARDWARE INCLUDED

STEP 1

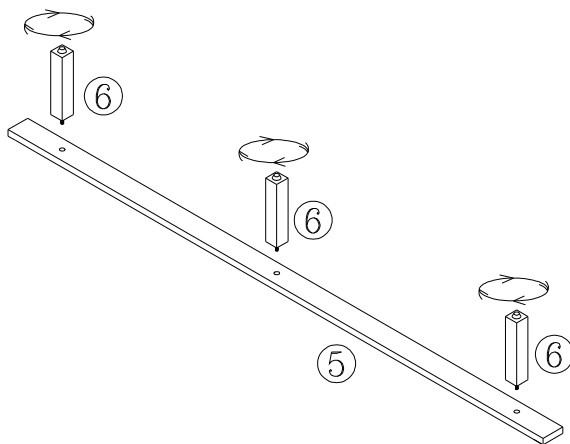
- A) Attach Bottom Support(8) to Headboard(1) & turn each clockwise until it & securely engages

STEP 2

- A) Attach Bottom Support(8) to Footboard(2) & turn each clockwise until it & securely engages

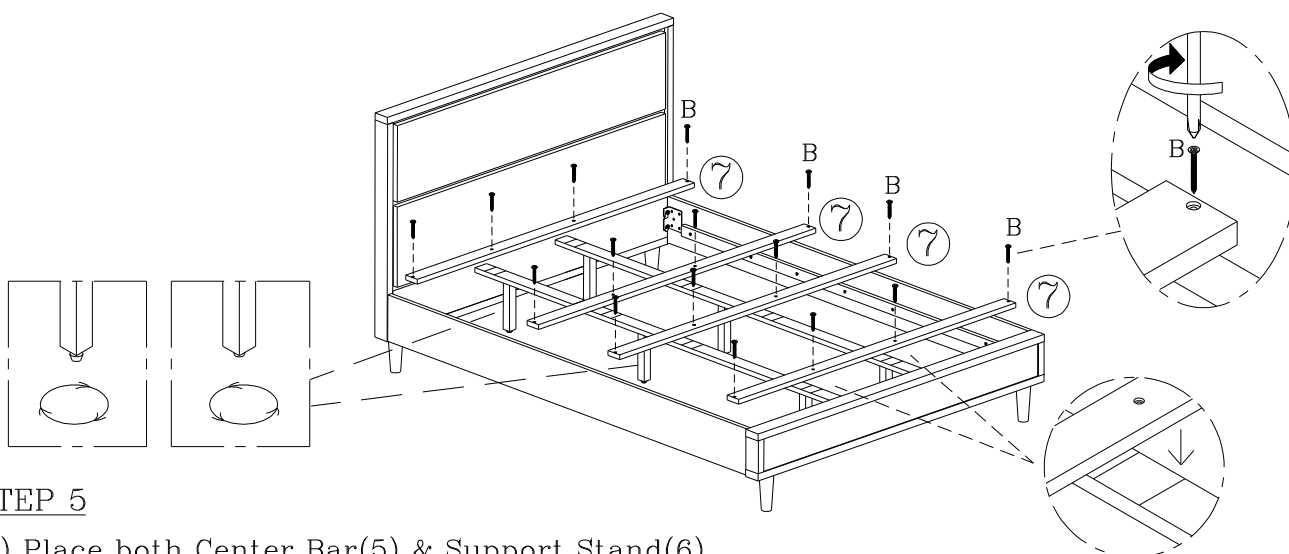
STEP 3

- A) Attach JCBB Screw(A) loosely to bracket in Headboard(1) & Footboard(2)  
 B) Attach Side Rails(3) to Headboard(1) & Footboard(2) & fully tighten JCBB Screw(A) with Allen Key(C)



#### STEP 4

A) Screw in Support Stand(6) to correct height to Center Bar(5)

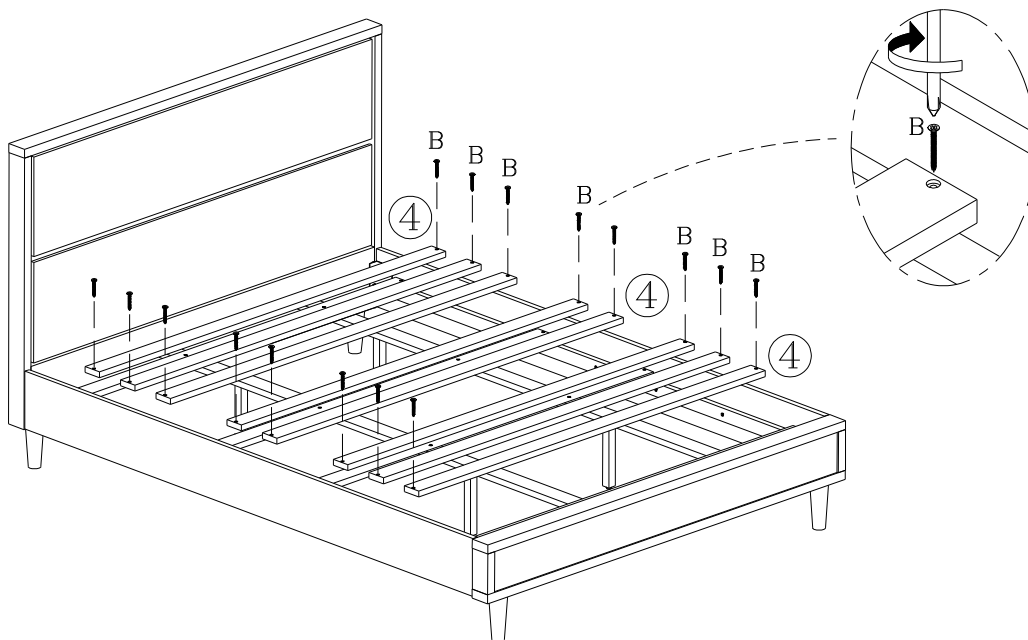


#### STEP 5

A) Place both Center Bar(5) & Support Stand(6)

B) Attach Bed Slats(7) to Side Rail&Center Bar(3&5) using Chipboard Screw(B) to secure

C) Adjust levelers as needed



#### STEP 6

A) Attach Bed Slats(4) to Side Rail(3) using Chipboard Screw(B) to secure