



# Iron Plains®

12" round drop-in/undermount/vessel bathroom sink  
K-20211

## Features

- Small round basin
- No faucet holes; requires wall- or counter-mount faucet
- Overflow drain

## Material

- KOHLER® enameled cast iron

## Installation

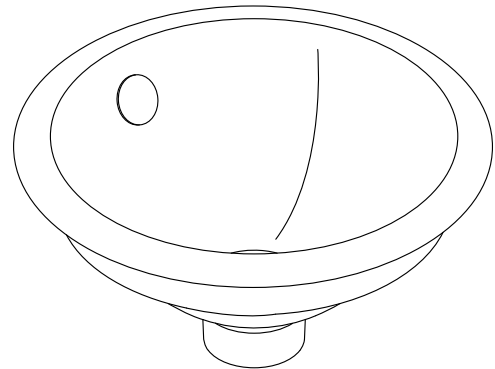
- Drop-in or undermount

## Recommended Products/Accessories

- K-23726 Drain treatment
- K-23725 Cast iron cleaner

## Included Components

- 1193643 Basin clamps



ADA

CSA B651

OBC

## Codes/Standards

ASME A112.19.1/CSA B45.2  
ADA  
ICC/ANSI A117.1  
CSA B651  
OBC


## KOHLER® Enameled Cast Iron Kitchen and Bathroom Sink Lifetime Limited Warranty

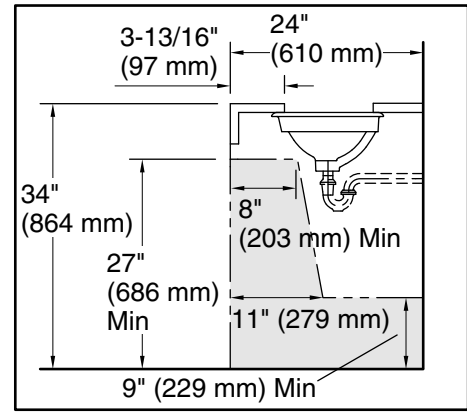
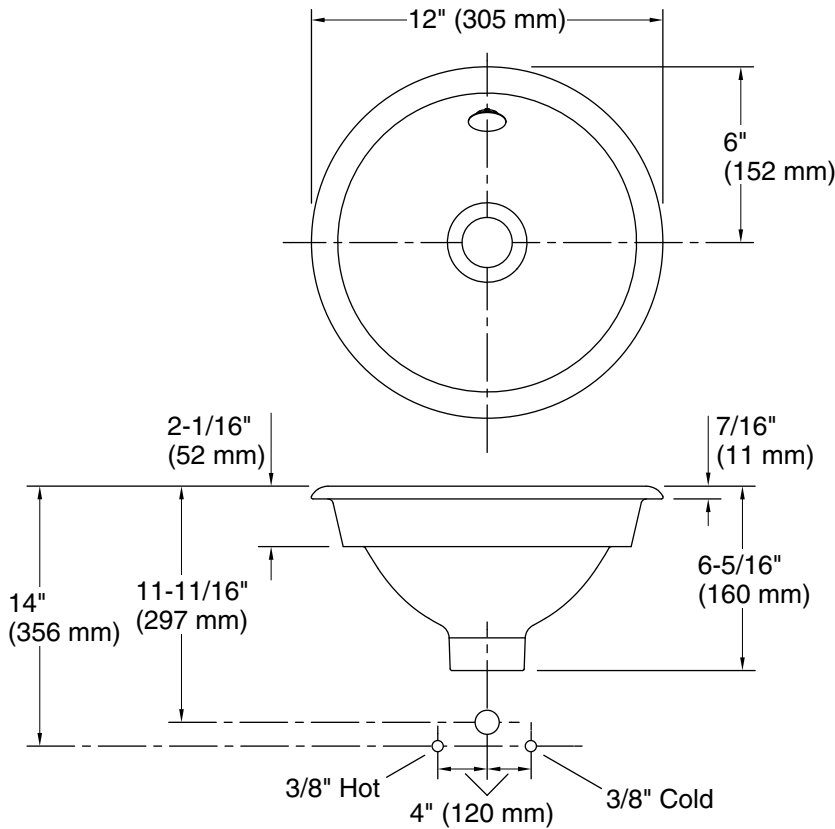
See website for detailed warranty information.

## Available Colors/Finishes

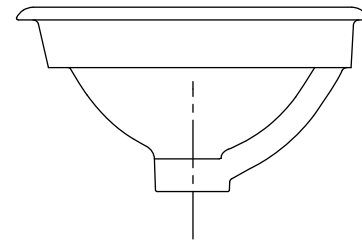
*Color tiles intended for reference only.*

| Color | Code | Description |
|-------|------|-------------|
|-------|------|-------------|

|   |   |       |
|---|---|-------|
|  | 0 | White |
|---|---|-------|



Recommended ADA Installation



### Technical Information

All product dimensions are nominal.

Basin configuration: Single Bowl

Bowl area: Length: 10-13/16" (275 mm)  
Width: 10-13/16" (275 mm)  
Bowl depth: 4-1/2" (115 mm)  
Water depth: 3-1/16" (77 mm)

With overflow: Yes

Drain hole: 1-3/4" (44 mm)

Template: 1319047-7, required, included

### Notes

Install this product according to the installation instructions.

Countertop manufacturer or cutter must use the cut-out template provided with the product, or a current one provided by Kohler Co. (call 1-800-43-FOCUS). Kohler Co. is not responsible for cut-out errors when the incorrect cut-out template is used.

ADA, OBC, CSA B651 compliant when installed to the specific requirements of these regulations.