





HEKMAN

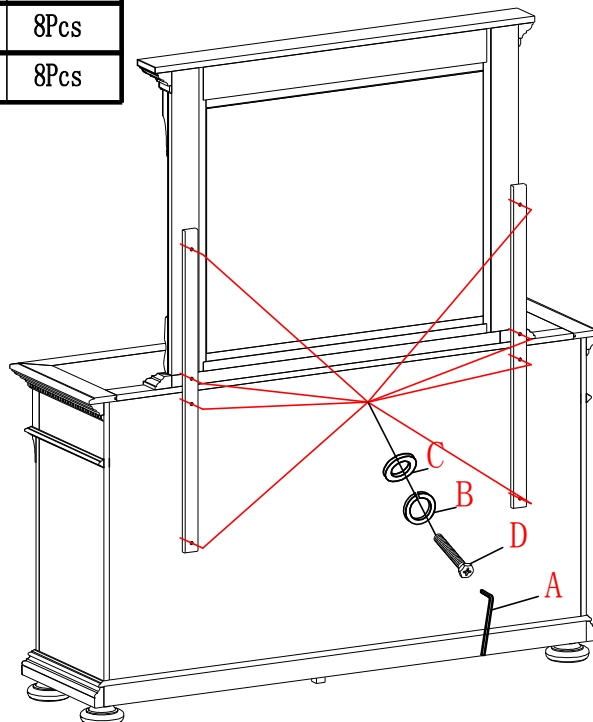
 A HOWARD MILLER COMPANY

ASSEMBLY INSTRUCTIONS

23367- *Mirror*

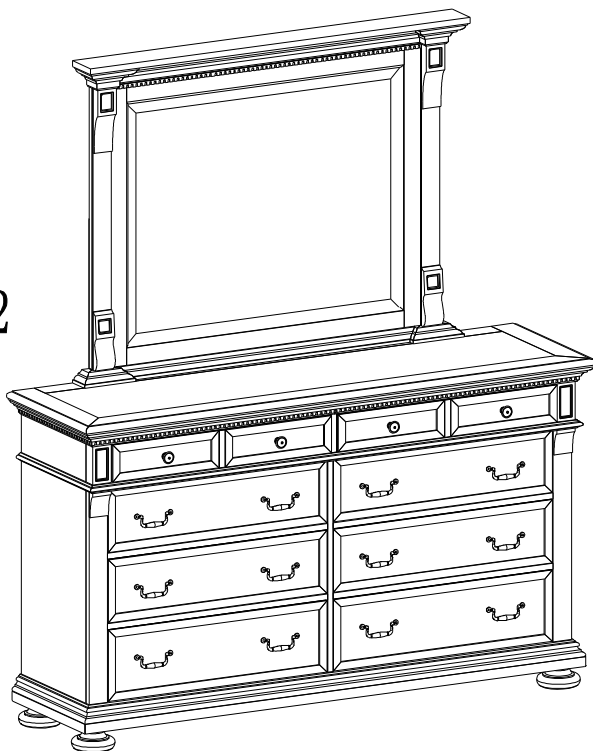
23360- *Dresser*

A		4mm	1Pc
B		1/4"	8Pcs
C		1/4"*19mm	8Pcs
D		1/4"*35mm	8Pcs



Step 1

Step 2



Step 1: Put the Mirror on top of the Dresser, assemble the Mirror and Dresser with Supports using Flat Washer (C), Spring Washer (B) and Bolt (D) then tighten using Allen Key (A)

MADE IN VIETNAM