



BEST CHOICE
PRODUCTS



INSTRUCTION MANUAL

Foldable Wooden
Adirondack Chair



**BEST CHOICE
PRODUCTS**

As shoppers, we're always trying to find the perfect balance between quality & value. At BCP, we believe we've achieved that. Our diverse catalog of everyday essentials is tailored especially to our customers & guaranteed to hit that sweet spot of high quality & low price.

———— **Always.** ————

! NOTICE

Please retain these instructions for future reference.

- Please do not exceed the weight limitations of this item.
- Do not stand on or use any part of this item as a step ladder.
- Firmly secure all bolts, screws and knobs before use.
- Reconfirm that all bolts, screws, and knobs are secure every 90 days.
- Fasten screws loosely during initial assembly. Do not firmly tighten the screws until the item is completely assembled.
- Do not use or store this item in the proximity of open flame or flammable/combustible chemicals.
- Be aware that some parts are heavy and have sharp edges.
- If any parts are missing, broken, damaged, or worn, stop using this product until repairs are made and/or factory replacement parts are installed.
- Do not use this item in a way inconsistent with the manufacturer's instructions as this could void the product warranty.
- This product is intended for residential use only.

TOOLS REQUIRED



PHILLIPS
SCREWDRIVER



WRENCH
(PROVIDED)



DRILL
(RECOMMENDED)



350 LBS
CAPACITY




1 PERSON
ASSEMBLY



APPROXIMATELY
45 MIN.
ASSEMBLY


HARDWARE

a M3.5 x 40mm
SCREW




53 PCS

b M8 x 55mm
SCREW SET



4 PCS

c M8 x 55mm
BOLT SET

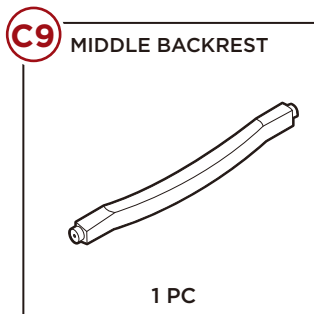
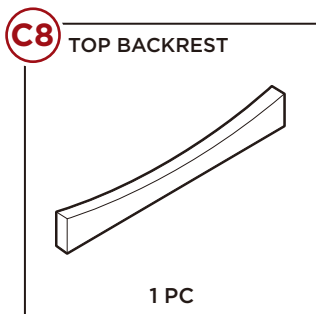
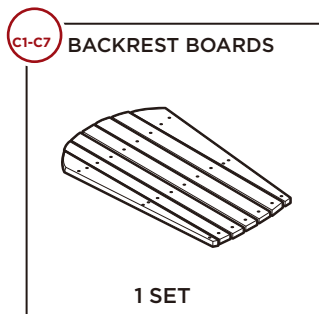
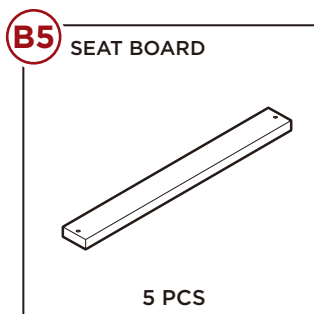
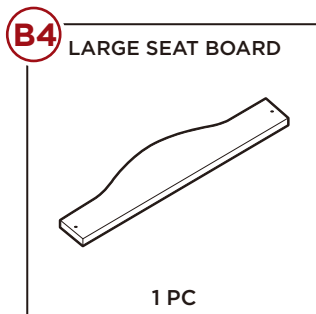
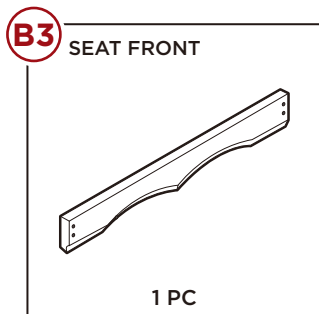
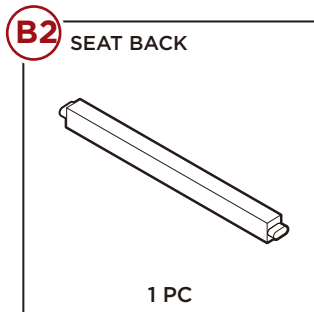
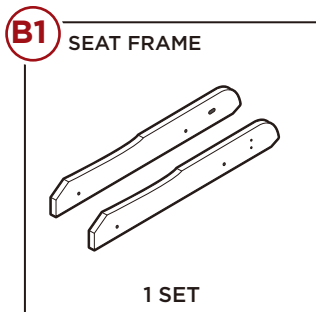
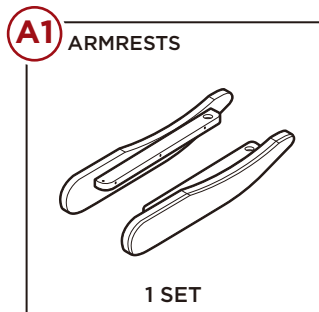


6 PCS



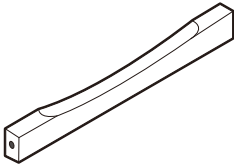
Due to large amount of screws,
use of an electric drill is highly
recommended to save time.

PARTS



PARTS

C10 BOTTOM BACKREST



1 PC

D TRIANGLE SUPPORT



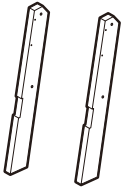
2 PCS

E BACKREST SUPPORT



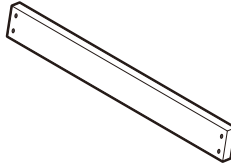
2 PCS

F1 BACKREST LEGS



1 SET

F2 FRONT SUPPORT



1 PC

PRODUCT ASSEMBLY

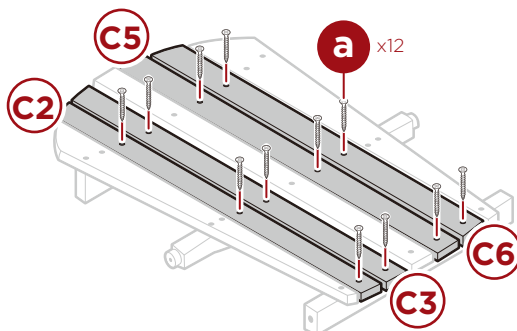
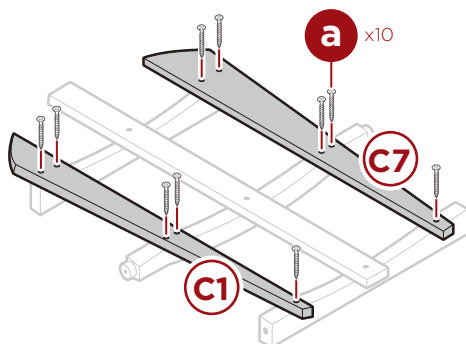
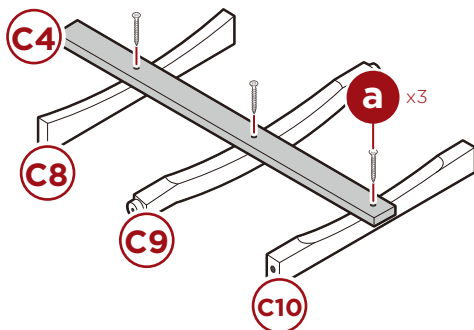
Please retain these instructions for future reference.

1

Attach part C4 backrest board to part C8 top backrest, part C9 middle backrest, and part C10 bottom backrest with three part a screws.

Attach part C1 and C7 backrest boards with ten part (a) screws.

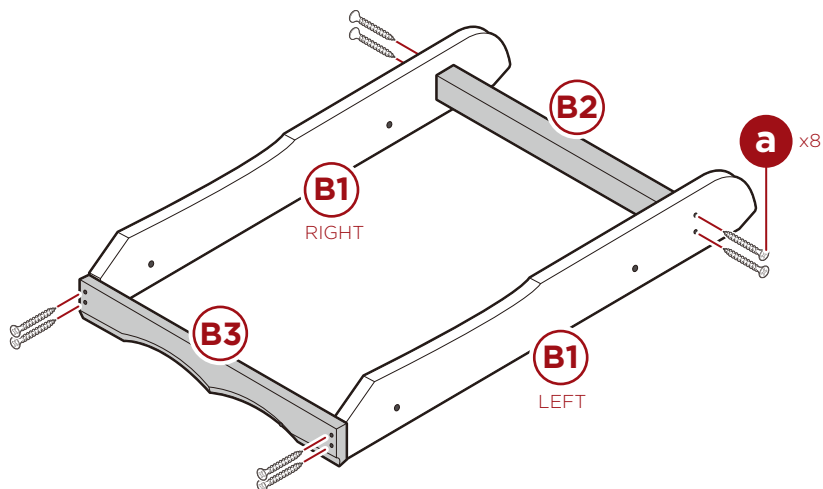
Attach part C2, C3, C5, and C6 backrest boards with twelve part (a) screws.



PRODUCT ASSEMBLY

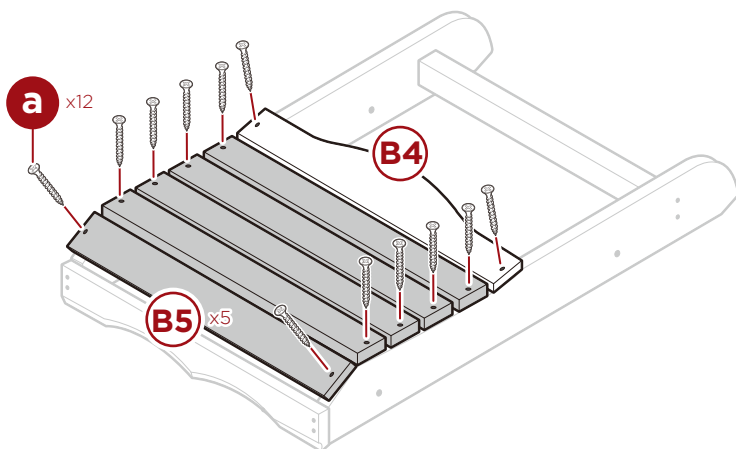
2

Attach part B2 seat back and part B3 seat front to part B1 seat frame set with eight part (a) screws.



3

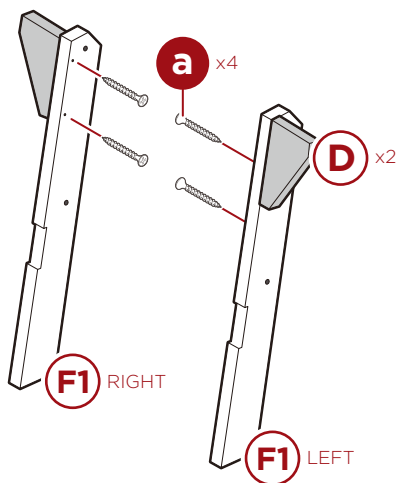
Attach part B4 large seat board and five part B5 seat boards with twelve part (a) screws.



PRODUCT ASSEMBLY

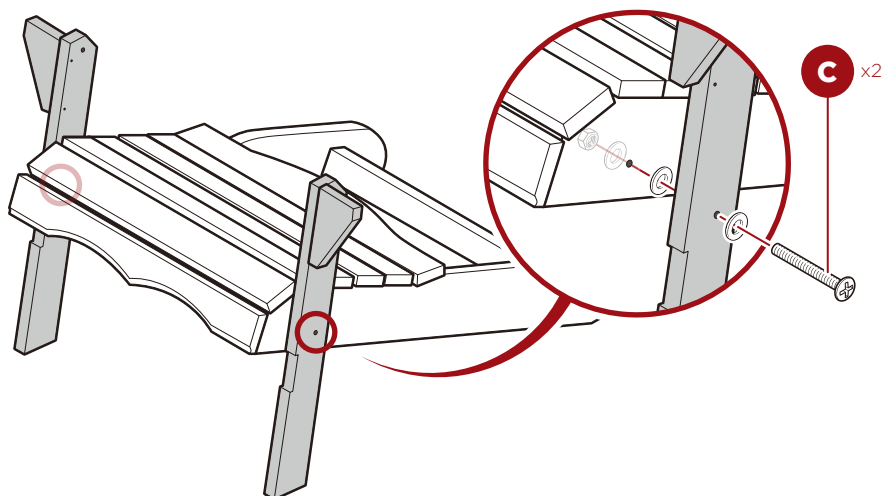
4

Attach two part D triangle supports to part F1 leg set with four part (a) screws.



5

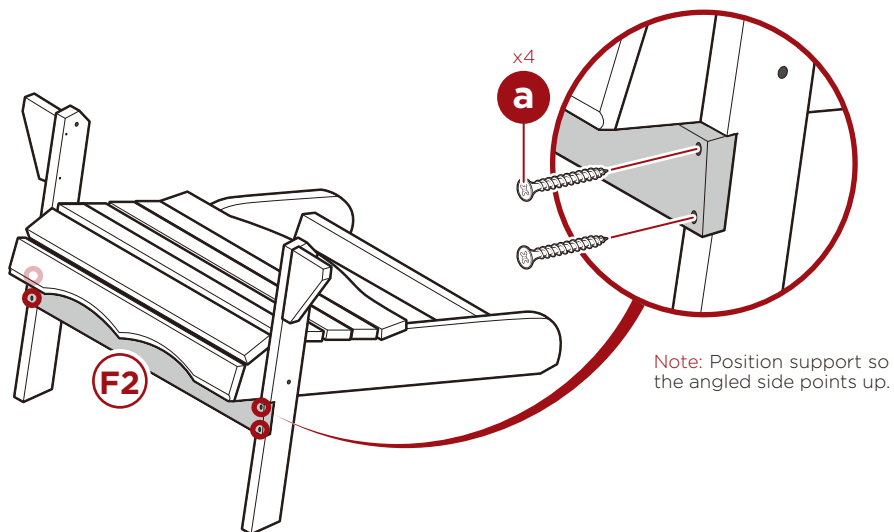
Attach legs to the seat two part (c) bolt sets.



PRODUCT ASSEMBLY

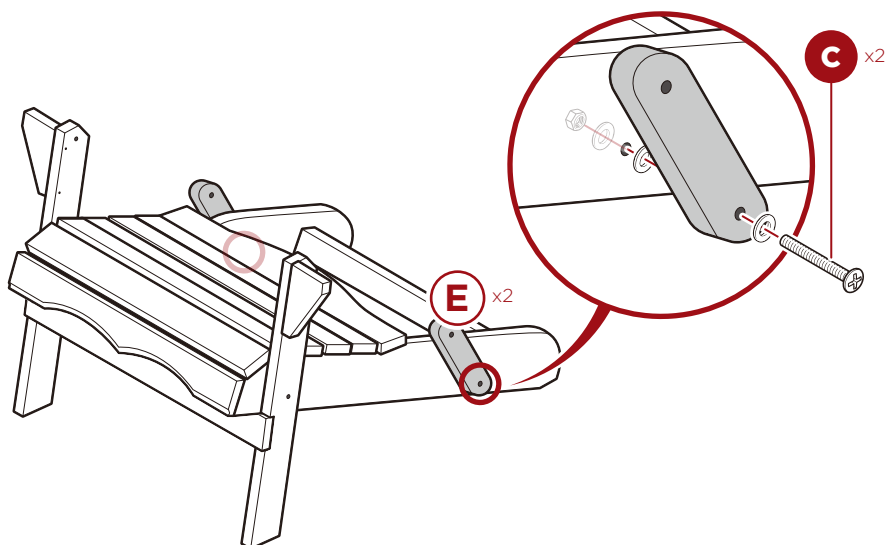
6

Attach part F2 front support with four part (a) screws.



7

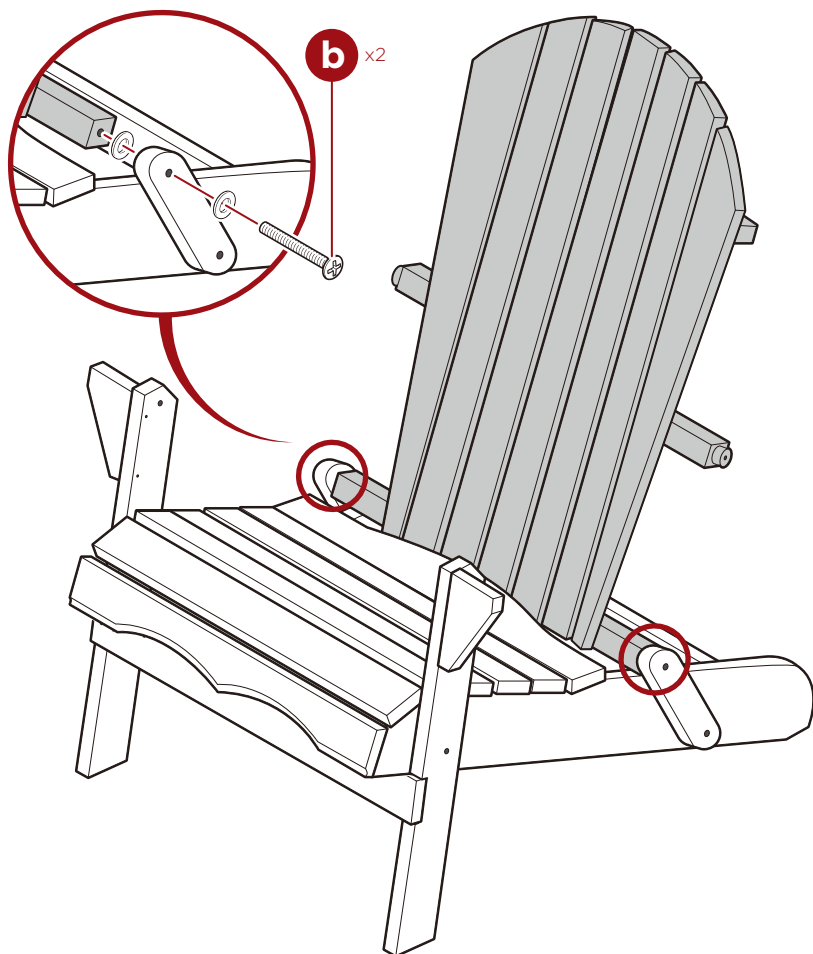
Attach two part E backrest supports with two part (c) bolt sets, one on each side.



PRODUCT ASSEMBLY

8

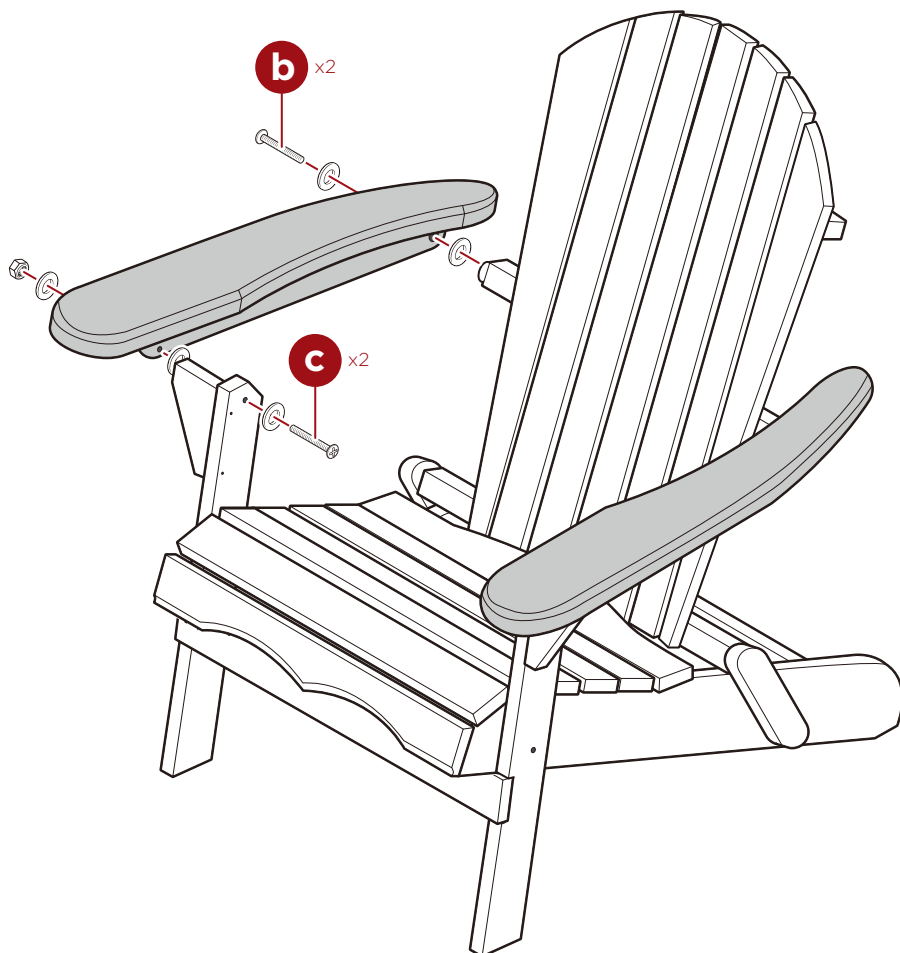
Attach backrest to the backrest supports with two part (b) screw sets.



PRODUCT ASSEMBLY

9

Attach armrests with two part b screw sets and two part (c) bolt sets.





HELP CENTER



Question about your product? We're here to help. Visit us at:

help.bestchoiceproducts.com



Chat Support



Product Inquiry



Orders FAQ



Product Assembly



Returns & Refunds

PRODUCT WARRANTY INFORMATION

All items can be returned for any reason within 60 days of the receipt and will receive a full refund as long as the item is returned in its original product packaging and all accessories from its original shipment are included. All returned items will receive a full refund back to the original payment method. All returned items will not be charged a re-stocking fee.

All returned items require an RA (Return Authorization) number, which can only be provided by a Best Choice Products Customer Service Representative when the return request is submitted. Items received without an RA may not be accepted or may increase your return processing time. Once an item has been received by Best Choice Products, refunds or replacements will be processed within 5 business days.

All returns must be shipped back to the Best Choice Products Return Center at the customer's expense. If the reason for return is a result of an error by Best Choice Products then Best Choice Products will provide a pre-paid shipping label via email. Boxes for return shipping will not be provided by Best Choice Products, and is the customer's responsibility to either use the original shipping boxes or purchase new boxes.

Pictures may be required for some returns to ensure an item is not damaged prior to its return. Items returned are not considered undamaged until they are received by Best Choice Products and verified as such. All damages to items are the customer's responsibility until the item has been received by and acknowledge by Best Choice Products as undamaged.

WARNING

Manufacturer and seller expressly disclaim any and all liability for personal injury, property damage or loss, whether direct, indirect, or incidental, resulting from the incorrect attachment, improper use, inadequate maintenance, unapproved modification, or neglect of this product.



BEST CHOICE
PRODUCTS



INSTRUCTION MANUAL

Foldable Wooden
Adirondack Chair

SKY6841 + SKY6842 + SKY6843 + SKY6844 + SKY6845 + SKY6846
SKY6847



**BEST CHOICE
PRODUCTS**

As shoppers, we're always trying to find the perfect balance between quality & value. At BCP, we believe we've achieved that. Our diverse catalog of everyday essentials is tailored especially to our customers & guaranteed to hit that sweet spot of high quality & low price.

— Always. —

! NOTICE

Please retain these instructions for future reference.

- Please do not exceed the weight limitations of this item.
- Do not stand on or use any part of this item as a step ladder.
- Firmly secure all bolts, screws and knobs before use.
- Reconfirm that all bolts, screws, and knobs are secure every 90 days.
- Fasten screws loosely during initial assembly. Do not firmly tighten the screws until the item is completely assembled.
- Do not use or store this item in the proximity of open flame or flammable/combustible chemicals.
- Be aware that some parts are heavy and have sharp edges.
- If any parts are missing, broken, damaged, or worn, stop using this product until repairs are made and/or factory replacement parts are installed.
- Do not use this item in a way inconsistent with the manufacturer's instructions as this could void the product warranty.
- This product is intended for residential use only.

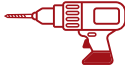
TOOLS REQUIRED



PHILLIPS
SCREWDRIVER



ALLEN WRENCH
(PROVIDED)



DRILL
(RECOMMENDED)



350 LBS
CAPACITY



1 PERSON
ASSEMBLY



APPROXIMATELY
45 MIN.
ASSEMBLY

HARDWARE

a M3.5 x 40MM
SCREW



59 PCS

b M8 x 50MM
SCREW SET



4 PCS

c M8 x 50MM
BOLT SET

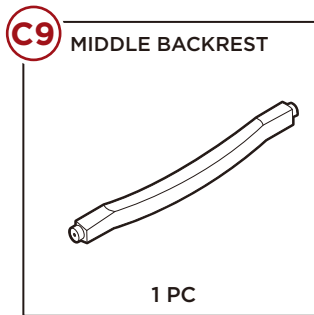
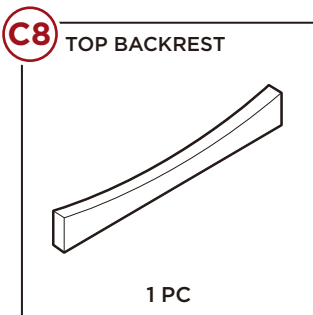
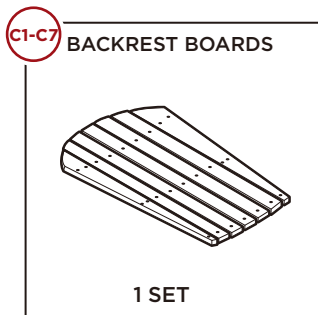
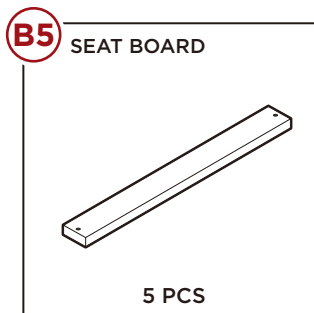
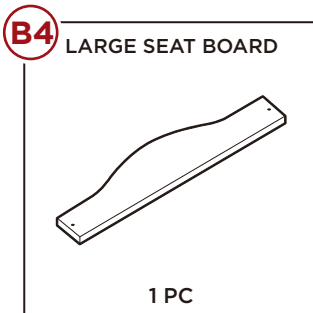
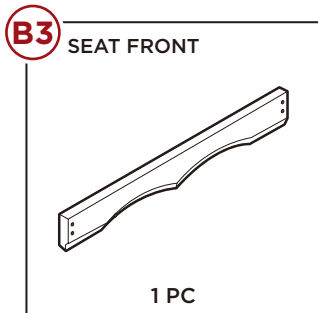
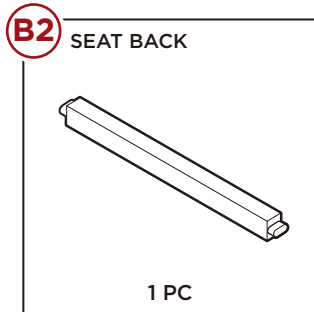
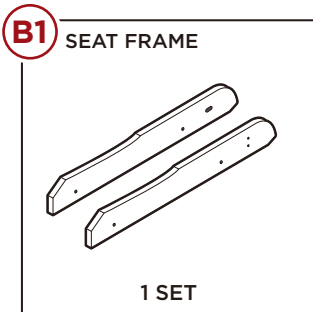
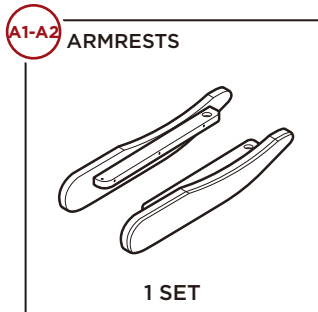


6 PCS

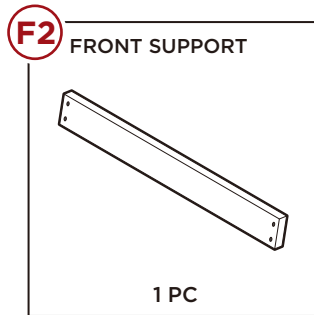
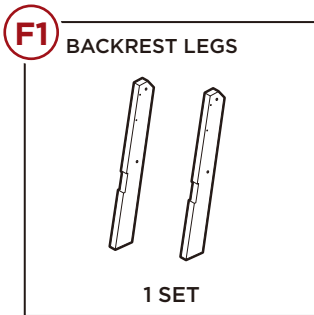
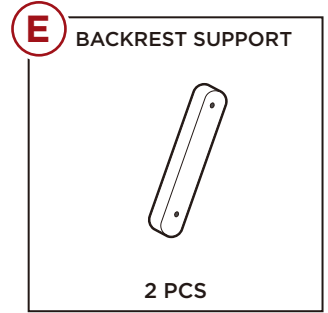
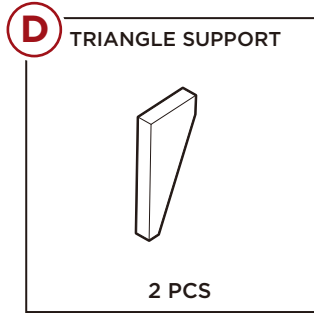
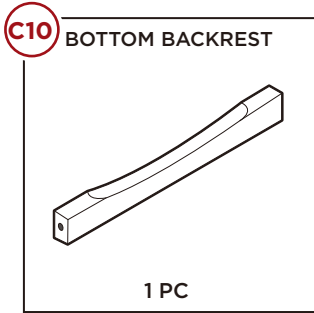


Due to large amount of screws,
use of an electric drill is highly
recommended to save time.

PARTS



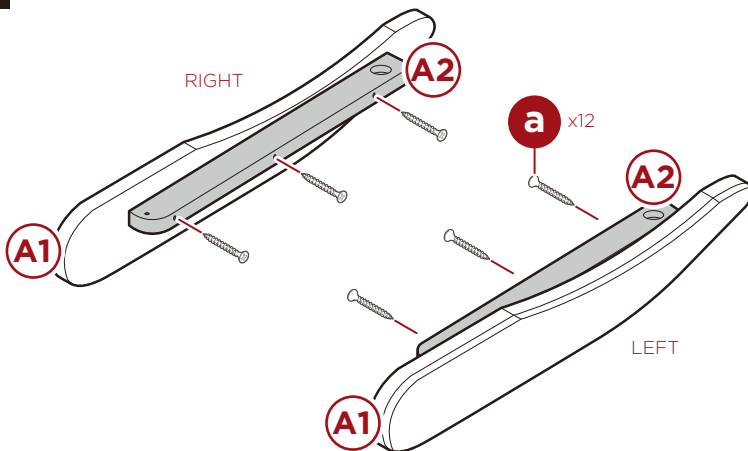
PARTS



BEFORE ASSEMBLY

1

Locate the **part A1-2 armrests**, then separate the right-oriented pieces from the left. Attach the armrest support to the inner face of the respective armrest with six part a screws, three screws per armrest.



Note: Take care when installing the screws to not penetrate the outer face of the armrest.

PRODUCT ASSEMBLY

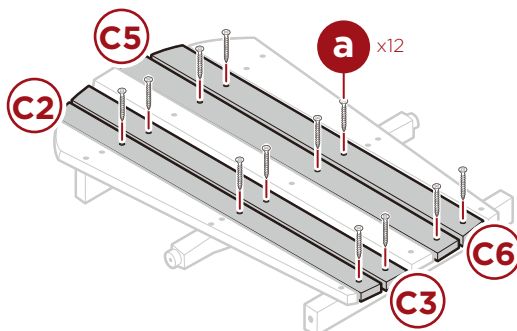
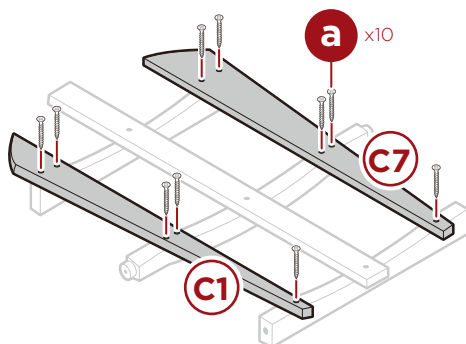
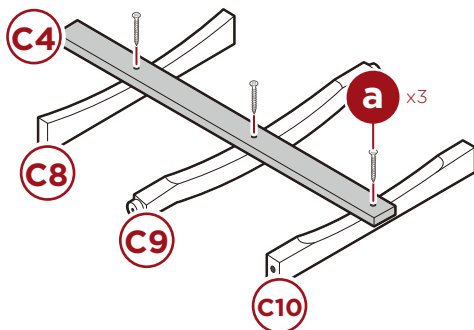
Please retain these instructions for future reference.

1

Attach **part C4 backrest board** to **part C8 top backrest**, **part C9 middle backrest**, and **part C10 bottom backrest** with three **part a** screws.

Attach **part C1** and **C7 backrest boards** with ten **part (a)** screws.

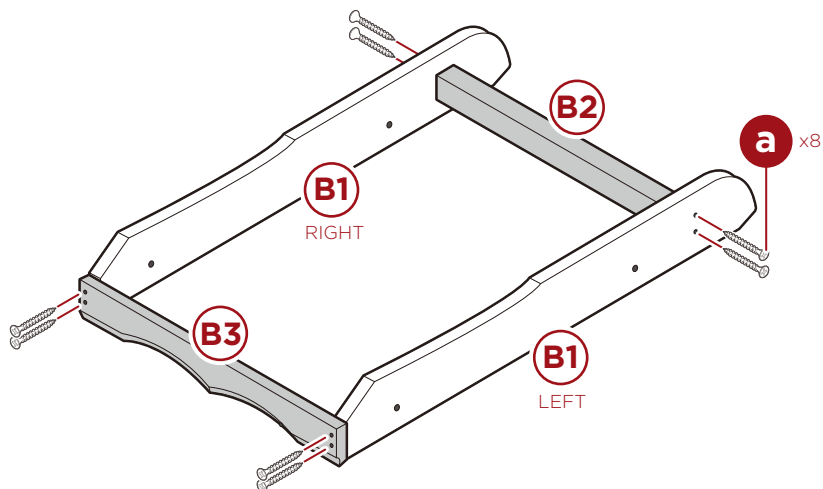
Attach **part C2, C3, C5, and C6 backrest boards** with twelve **part (a)** screws.



PRODUCT ASSEMBLY

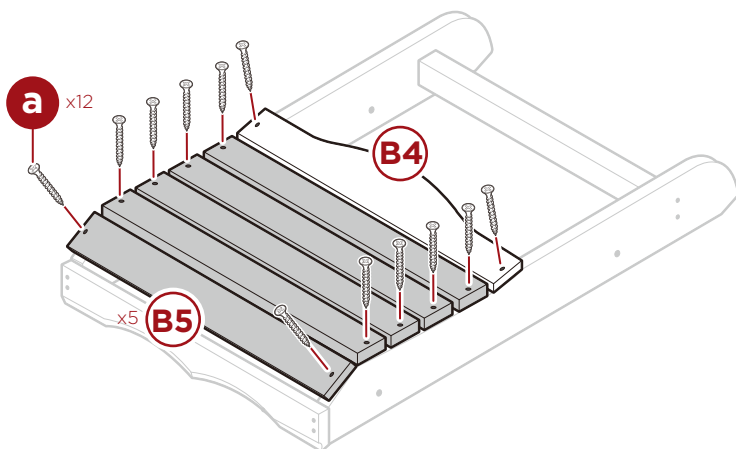
2

Attach **part B2 seat back** and **part B3 seat front** to **part B1 seat frame set** with eight **part**



3

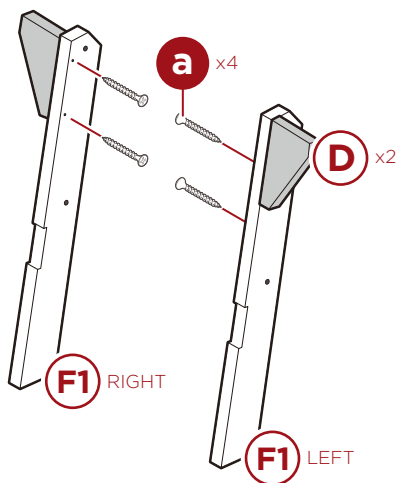
Attach **part B4 large seat board** and five **part B5 seat boards** with twelve **part (a) screws**.



PRODUCT ASSEMBLY

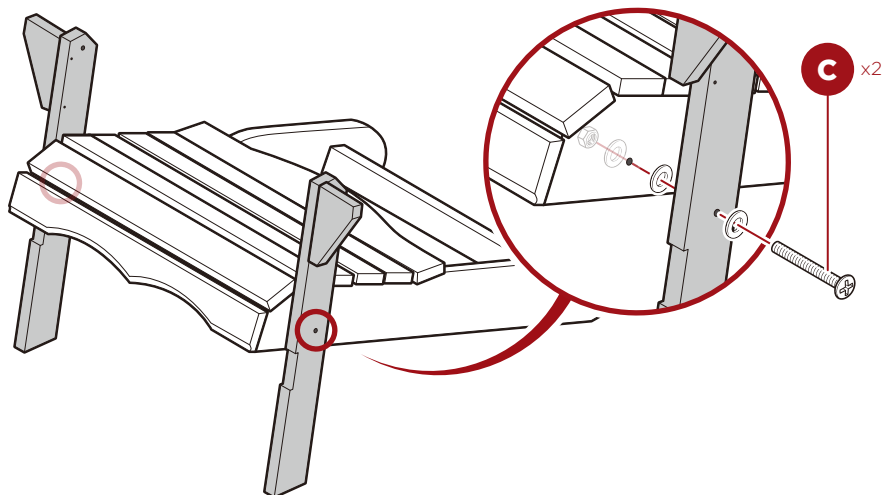
4

Attach two **part D triangle supports** to **part F1 leg set** with four **part (a) screws**.



5

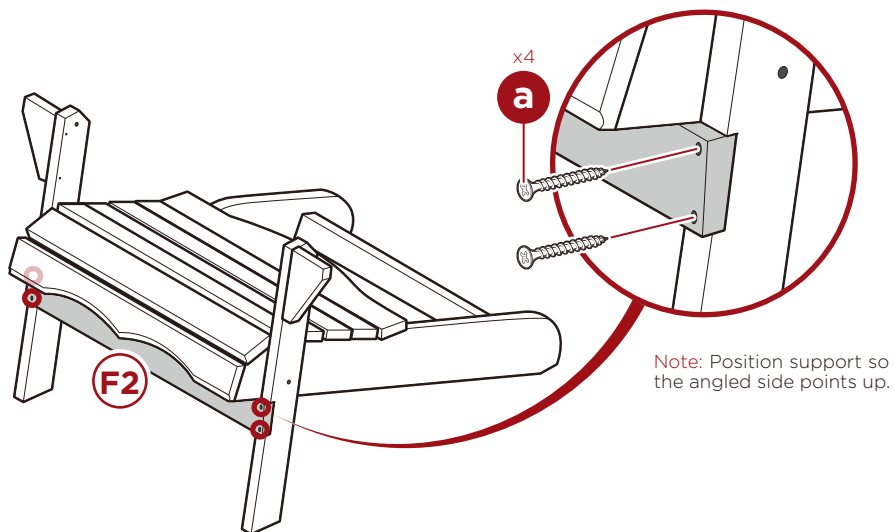
Attach the assembled legs to the seat assembly with **two part (c) bolt sets**.



PRODUCT ASSEMBLY

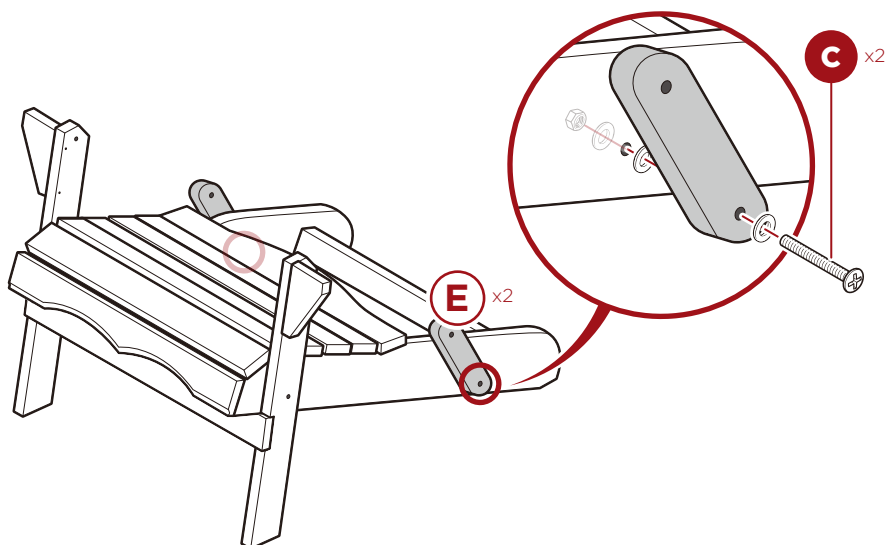
6

Attach the **part F2 front support** with four **part (a) screws**.



7

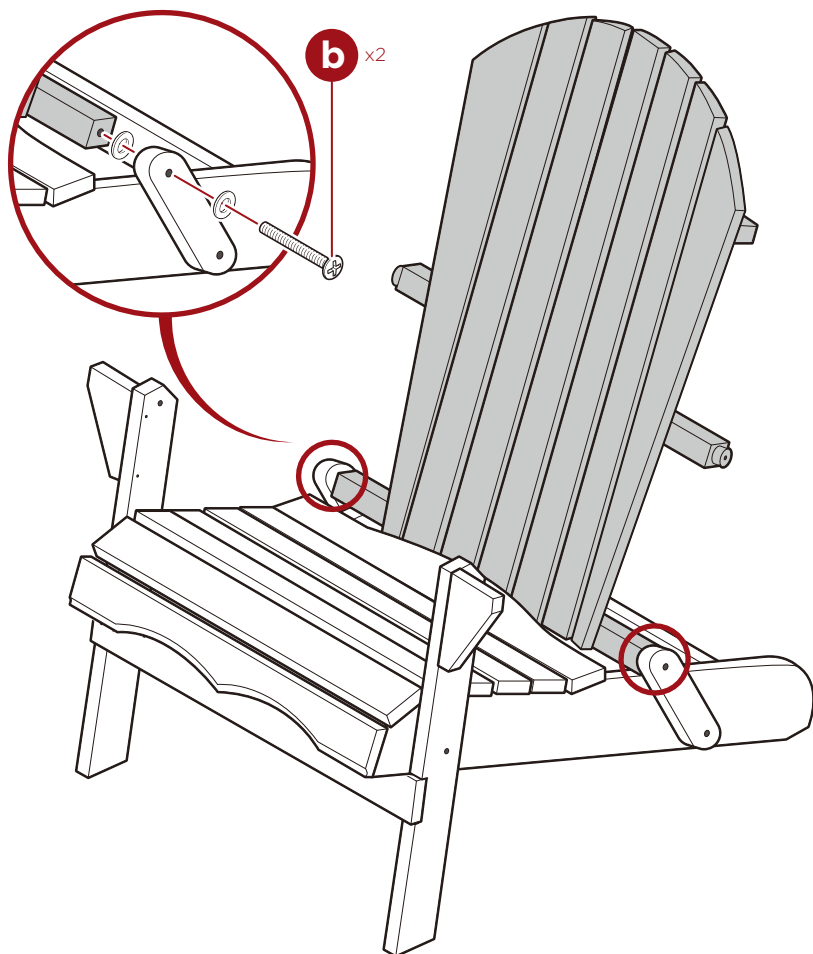
Attach two **part E backrest supports** with two **part (c) bolt sets**, one on each side.



PRODUCT ASSEMBLY

8

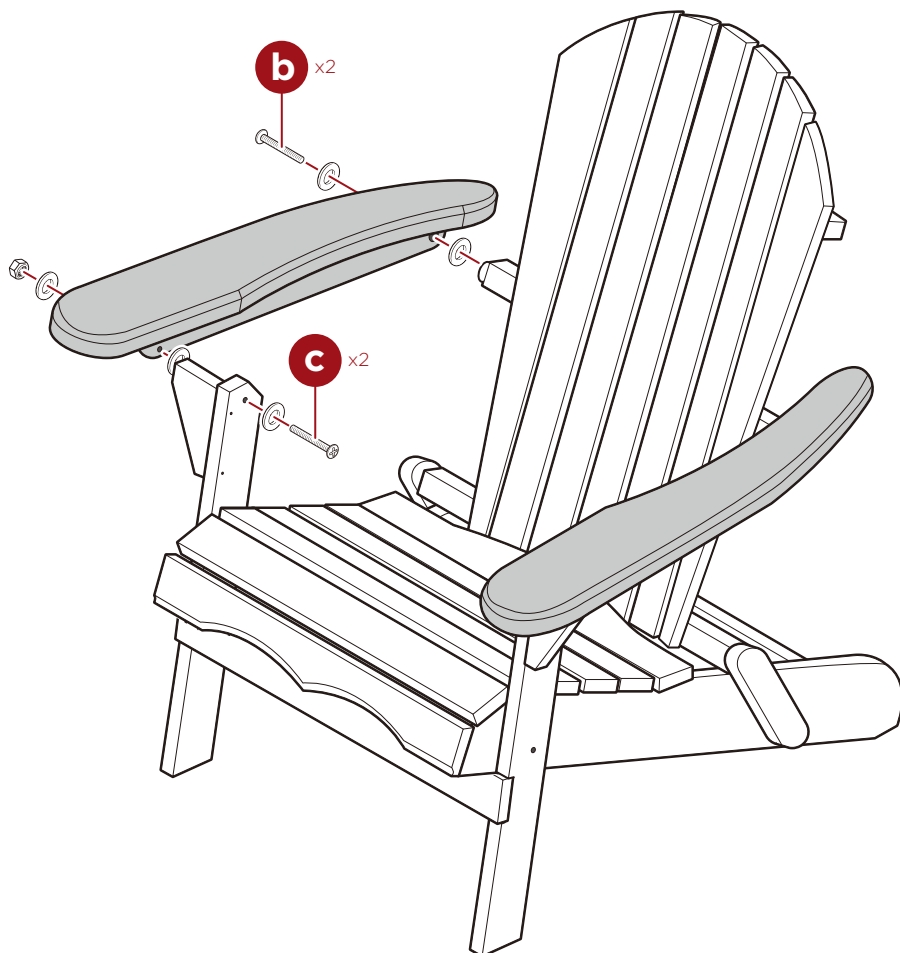
Attach the backrest to the **part E backrest supports** with two **part b screw sets**.



PRODUCT ASSEMBLY

9

Attach the **part A1-2 armrests** with two **part b screw sets** and two **part c bolt sets**, one set each per side.





HELP CENTER



Question about your product? We're here to help. Visit us at:

help.bestchoiceproducts.com



Chat Support



Product Inquiry



Orders FAQ



Product Assembly



Returns & Refunds

PRODUCT WARRANTY INFORMATION

All items can be returned for any reason within 60 days of the receipt and will receive a full refund as long as the item is returned in its original product packaging and all accessories from its original shipment are included. All returned items will receive a full refund back to the original payment method. All returned items will not be charged a re-stocking fee.

All returned items require an RA (Return Authorization) number, which can only be provided by a Best Choice Products Customer Service Representative when the return request is submitted. Items received without an RA may not be accepted or may increase your return processing time. Once an item has been received by Best Choice Products, refunds or replacements will be processed within 5 business days.

All returns must be shipped back to the Best Choice Products Return Center at the customer's expense. If the reason for return is a result of an error by Best Choice Products then Best Choice Products will provide a pre-paid shipping label via email. Boxes for return shipping will not be provided by Best Choice Products, and is the customer's responsibility to either use the original shipping boxes or purchase new boxes.

Pictures may be required for some returns to ensure an item is not damaged prior to its return. Items returned are not considered undamaged until they are received by Best Choice Products and verified as such. All damages to items are the customer's responsibility until the item has been received by and acknowledge by Best Choice Products as undamaged.



WARNING

Manufacturer and seller expressly disclaim any and all liability for personal injury, property damage or loss, whether direct, indirect, or incidental, resulting from the incorrect attachment, improper use, inadequate maintenance, unapproved modification, or neglect of this product.