

# 4.4 m x 7.7 m (14.3 ft x 25.3 ft) MULTI-PURPOSE SHADE STRUCTURE

## Installation and Operating Instructions – YM12870



IMPORTANT, RETAIN FOR FUTURE REFERENCE: READ CAREFULLY

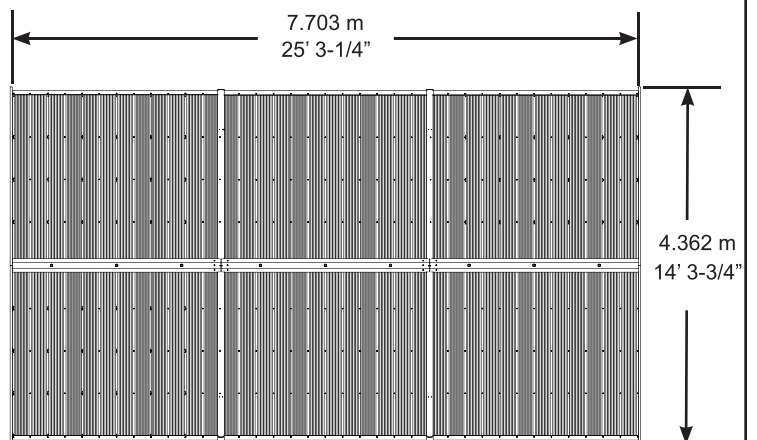
06-08-2023

# YARDISTRY®

Yardistry – North America  
Toll Free Customer Support:  
1.888.509.4382  
info@yardistrystructures.com  
www.yardistrystructures.com

Regular Hours: Mon - Fri, 8:30 am - 5:00 pm EST (excl. holidays)  
(For extended hours see our website)  
English and French Spoken

Patents Pending



HEIGHT:  
3.270m / 10' 8-3/4"

## **Important Safety Notice!**

Yardistry components are intended for privacy, decorative and ornamental use only.

### **Product is NOT INTENDED for the following:**

- A safety barrier to prevent unsupervised access to pools, hot tubs, spas or ponds.
- As load bearing support for a building, structure, heavy objects or swings.
- Used in structures that trap wind, rain or snow that would create extra load on the product.

### **Accumulated snow must be removed from roof.**

**DO NOT** climb or walk on roof for any reason.

**Permanent structures may require a building permit.** As the purchaser and or installer of this product you are advised to consult local planning, zoning and building inspection departments for guidance on applicable building codes and/or zoning requirements.

**Wood is NOT flame retardant and will burn.** Grills, fire pits and chimineas are a fire hazard if placed too close to a Yardistry structure. Consult user's manual of the grill, fire pit or chiminea for safe distances from combustible materials.

**Wear gloves to avoid injury** from possible sharp edges of individual elements before assembly.

**During installation, follow all safety warnings provided with your tools and use OSHA approved safety glasses.** Some structures may require two or more people to install safely.

**Check for underground utilities before digging or driving stakes into the ground!**

**During assembly it is important to closely follow the instructions.** Complete the assembly on a solid, level surface and follow the instructions to square up, level and anchor the structure. This will reduce the gaps at wood connections during assembly.

## **General Information**

**General Information:** Wood components are manufactured with Cedar (C. Lanceolata) which is protected with factory applied water-based stain. Knots, small checks (cracks) and weathering are naturally occurring and do not affect the strength of the product. Annual application of a water-based water repellent sealant or stain is important and will help reduce weathering and checks.

**[www.yardistrystructures.com](http://www.yardistrystructures.com)**

Questions?

Call toll free or write us at:  
1 (888) 509-4382  
[support@yardistrystructures.com](mailto:support@yardistrystructures.com)

Regular Hours: Mon - Fri, 8:30 am - 5:00 pm EST  
(excl. holidays)  
(For extended hours see our website)

English and French Spoken

Patents Pending



# Limited Warranty

Yardistry warrants that this product is free from defect in materials and workmanship for a period of one (1) year from the original date of purchase. In addition, for any product with lumber, all lumber is warranted for five (5) years against rot and decay. This warranty applies to the original owner and registrant and is non-transferable.

Regular maintenance is required to assure the integrity of your product and is a requirement of the warranty. This warranty does not cover any inspection costs.

**This Limited Warranty does not cover:**

- Labour for replacement of any defective item(s);
- Incidental or consequential damages;
- Cosmetic defects which do not affect performance or integrity;
- Vandalism; improper use or installation; acts of nature, including but not limited to wind, storms, hail, floods, excessive water exposure;
- Minor twisting, warping, checking or any other natural occurring properties of wood that do not affect performance or integrity.

Yardistry products have been designed for safety and quality. Any modifications made to the original product could damage the structural integrity of the product leading to failure and possible injury. Yardistry cannot assume any responsibility for modified products. Furthermore, modification voids any and all warranties.

**This product is warranted for RESIDENTIAL USE ONLY. Yardistry disclaims all other representations and warranties of any kind, express or implied.**

*This Warranty gives you specific legal rights. You may have other rights as well which vary from state to state or province to province. This warranty excludes all consequential damages, however, some states/provinces do not allow the limitation or exclusion of consequential damages, and therefore this limitation may not apply to you.*

# Instructions for Proper Maintenance

Your Yardistry structure is designed and constructed of quality materials. As with all outdoor products it will weather and wear. To maximize the enjoyment, safety and life of your structure it is important that you, the owner, properly maintain it.

## HARDWARE:

- Check metal parts for rust. If found, sand and repaint using a non-lead paint complying with 16 CFR 1303.
- Inspect and tighten all hardware after completion of assembly; after first month of use; and then annually. Do not over-tighten as to cause crushing and splintering of wood.
- Check for sharp edges or protruding screw threads, add washers if required.

## WOOD PARTS:

- Applying a water repellent or stain (water-based) on a yearly basis is important maintenance to maintain maximum life and performance of the product.
- Check all wood members for deterioration, structural damage and splintering. Sand down splinters and replace deteriorated wood members. As with all wood, some checking and small cracks in grain is normal.
- Some gapping may occur at some wood connections.

## Assembly Guides

### Tools Required:

- |                              |                      |                           |
|------------------------------|----------------------|---------------------------|
| • Tape Measure               | • 8' Step Ladder x 2 | • 6' Step Ladder x 2      |
| • Carpenters Level           | • Safety Glasses     | • Square                  |
| • Standard or Cordless Drill | • Adult Helper       | • Ratchet                 |
| • Claw Hammer                | • Safety Gloves      | • 7/16, 1/2 & 9/16 Socket |
| • 7/16", 1/2" & 9/16" Wrench | • Hard Hat           |                           |

### Symbols:

Throughout these instructions symbols are provided in the top, right-hand corner of the page.



- Use Help, where this is shown, 2, 3 or 4 people are required to safely complete this step. To avoid injury or damage to the assembly make sure to get some help.



- Use a measuring tape to assure proper location



- Pre-drill a pilot hole before fastening screw or lag to prevent splitting of wood.



- Check that assembly is square before tightening bolts.

**If you dispose of your Yardistry structure:** Please disassemble and dispose of your unit so that it does not create any unreasonable hazards at the time it is discarded. Be sure to follow your local waste ordinances.

## Assembly Tips

Following are some helpful tips to make the assembly process smooth and efficient.

### PRE-ASSEMBLIES:

(i.e. Post and Beam Assemblies, Roof Rafter Assembly, etc)

- Work on a raised, solid and flat surface such as, a table or saw horse.
- Keep all connections flush where shown in the instructions.
- When assembling the beams keep parts flat, straight and snug when connecting.

### METAL PARTS:

- Roofing material may have sharp edges, wear safety gloves.
- Remove all plastic covering, on both sides of the metal panels, directly before installing each piece.
- Place roofing material on a non-abrasive surface before and after assembly as it can bend, dent and scratch easily.
- The roofing screws can easily crush the roof panels and roof edges when using a power drill. We recommend hand tightening the roofing screws so they sit snug and tight to the roofing material.

# Permanent Installation Examples

**Note: It is critically important you start with square, solid and level footings, concrete pad or deck to attach your Structure.**

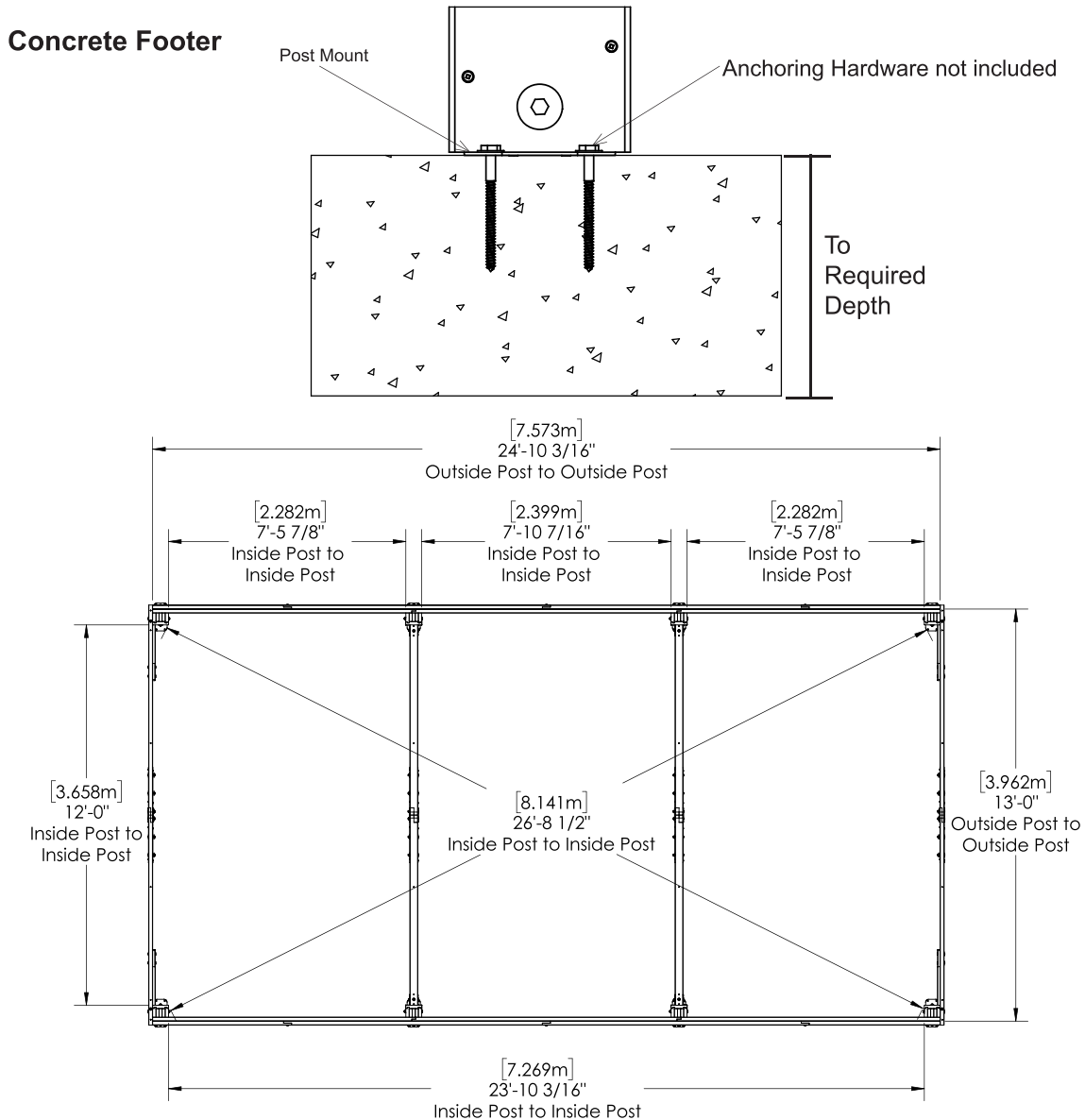
We supply Post Mounts with this structure which gives you the flexibility to permanently install your structure to a pre-existing or new wood or concrete surface.

- The hardware to attach the Post Mount to the structure is included.
- The hardware to mount the structure permanently will need to be purchased separately at your local hardware store.

If you are mounting to concrete footers see below for the correct locations and placement. Please double check for possibility of any underground utilities such as gas, telephone, cable or sprinkler lines.

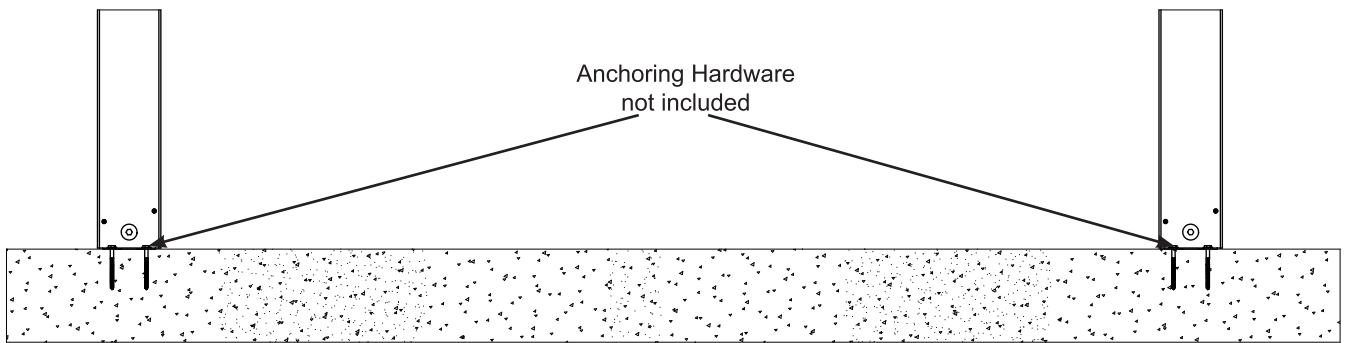
Following are some examples of how to mount the structure to wood or concrete surfaces.

Refer to your local building and city codes, ordinances, neighbourhood covenants, or height restrictions regarding this type of structure for guidance on acceptable installation requirements.

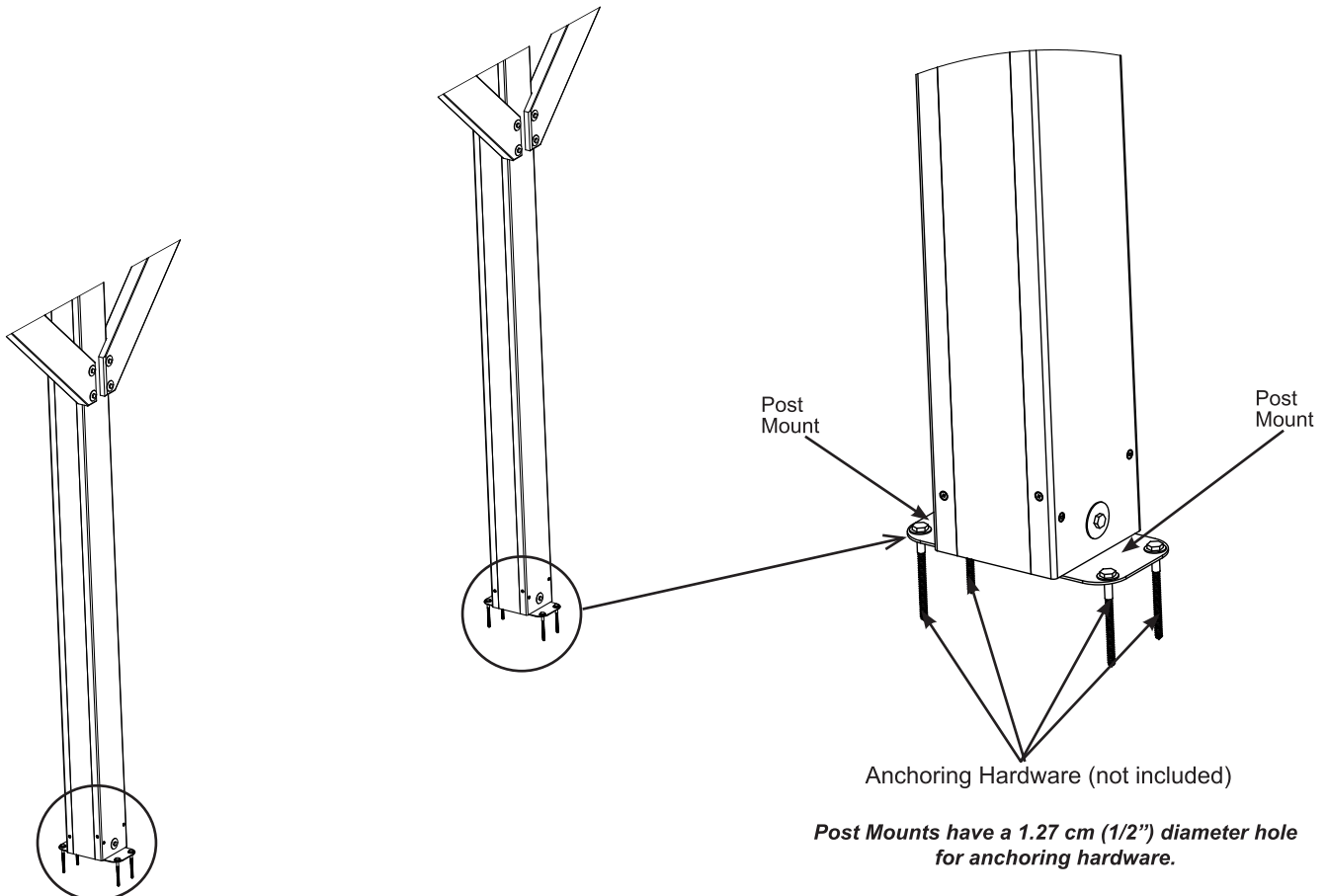
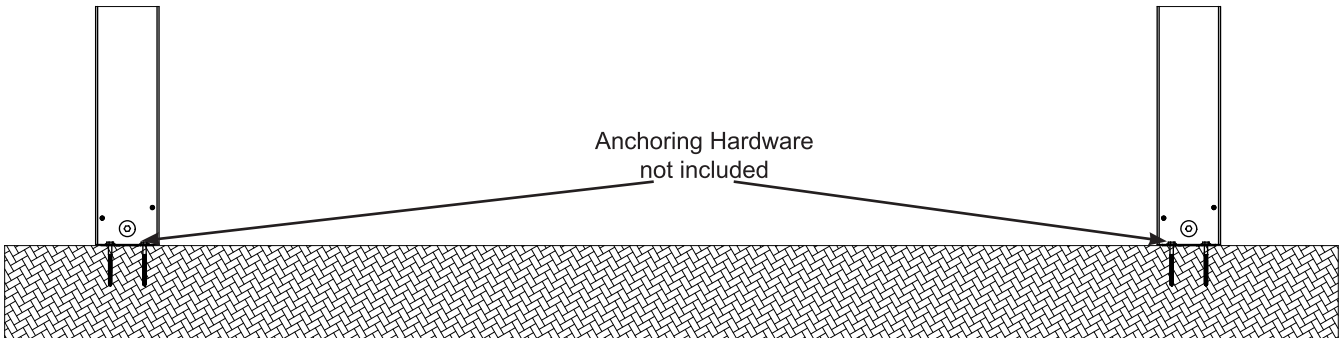


## Permanent Installation Examples cont.

**Concrete Patio [min. 4.267 m x 7.879 m (14' x 25' 10-3/16'')] with 15.24 cm (6'') clearance on all sides**



**Wood Deck [min. 4.267 m x 7.879 m (14' x 25' 10-3/16'')] with 15.24 cm (6'') clearance on all sides**



**Part Identification** ( Dimensions are approximate and are shown to assist in the identification of parts for assembly. Actual dimensions may be smaller or larger. )

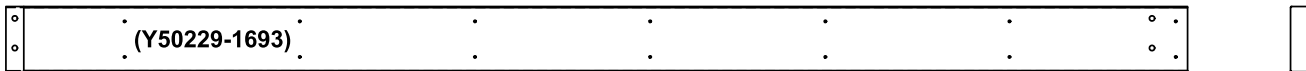
**4pc. (1691) - Outside Beam A 1335.6mm (52 9/16") FSC**



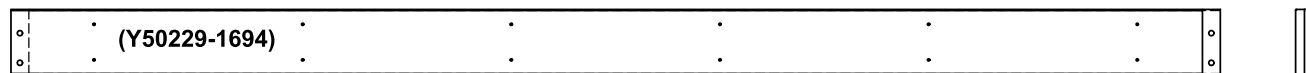
**4pc. (1692) - Outside Beam B 2565.4mm (101") FSC**



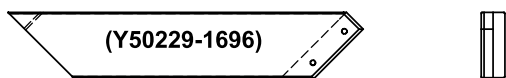
**4pc. (1693) - Inside Beam A 2530.2mm (99 5/8") FSC**



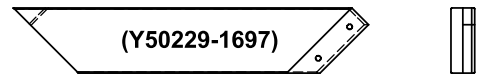
**2pc. (1694) - Inside Beam B 2589.2mm 101 15/16") FSC**



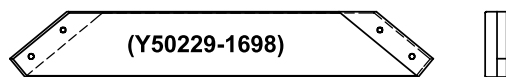
**6pc. (1696) - Side Gusset Left 760.5mm (29 15/16") FSC**



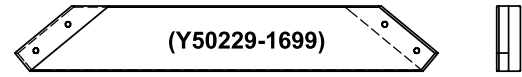
**6pc. (1697) - Side Gusset Right 760.5mm (29 15/16") FSC**



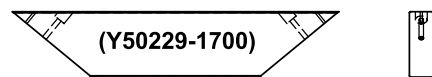
**2pc. (1698) - FB Gusset Left 906.6mm (35 11/16") FSC**



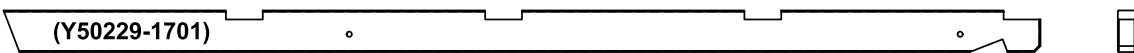
**2pc. (1699) - FB Gusset Right 906.6mm (35 11/16") FSC**



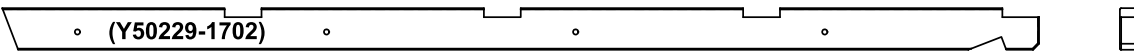
**4pc. (1700) - Gusset 698.6mm (27 1/2") FSC**



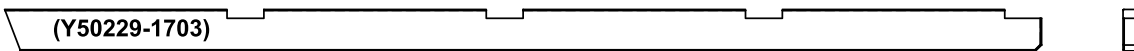
**30pc. (1701) - Rafter A 2220.1mm (87 3/8") FSC**



**8pc. (1702) - Rafter B 2220.1mm (87 3/8") FSC**



**4pc. (1703) - Rafter C 2220.1mm (87 3/8") FSC**



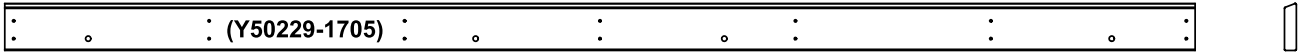
**24pc. (1704) - Strap 2549mm (100 3/8") FSC**





# Part Identification (Dimensions are approximate and are shown to assist in the identification of parts for assembly. Actual dimensions may be smaller or larger.)

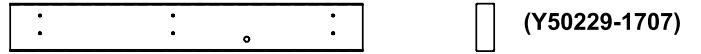
**6pc. (1705) - Rafter Top 2549mm (100 3/8") FSC**



**6pc. (1706) - Ridge 460.8mm (18 1/8") FSC**



**6pc. (1707) - Ridge Long 754.8mm (29 11/16") FSC**



**2pc. (1708) - Truss Connector 812.8mm (32") FSC**



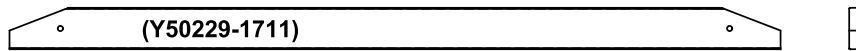
**2pc. (1709) - Mid Truss Connector 812.8mm (32") FSC**



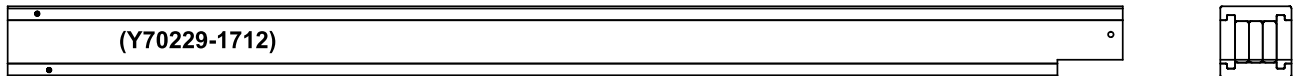
**4pc. (1710) - Fascia 2336.8mm (92") FSC**



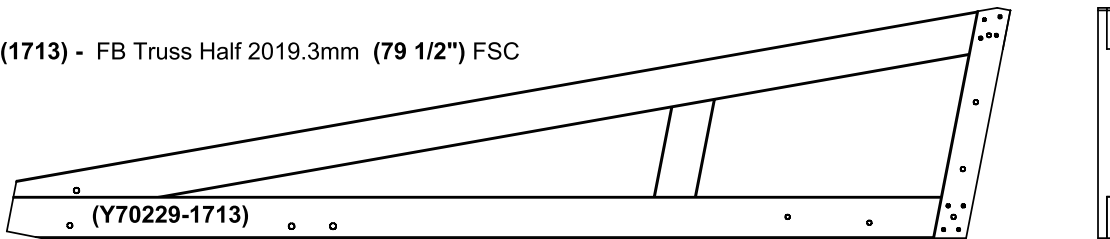
**15pc. (1711) - Rafter Tie 1651mm (65") FSC**



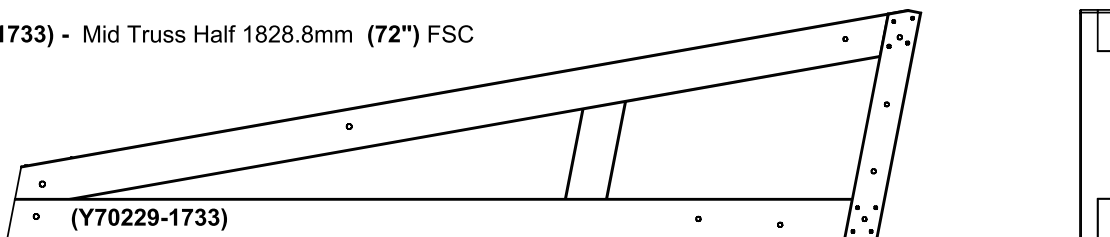
**8pc. (1712) - Post 2387.6mm (94") FSC**



**4pc. (1713) - FB Truss Half 2019.3mm (79 1/2") FSC**

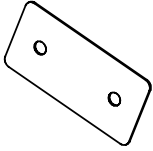


**4pc. (1733) - Mid Truss Half 1828.8mm (72") FSC**

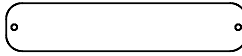


# Part Identification ( Dimensions are approximate and are shown to assist in the identification of parts for assembly. Actual dimensions may be smaller or larger. )

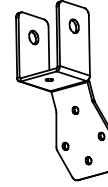
**2 pc. Roof to Truss Flat Bracket (8pk)**  
(Y70818-722)



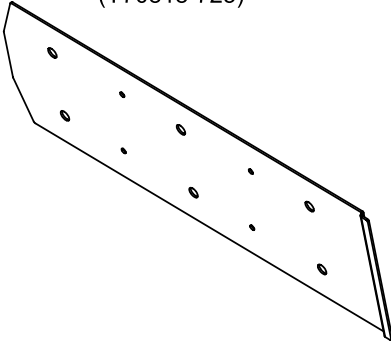
**1 pc. Gazebo ID Plaque (Y70800-104)**



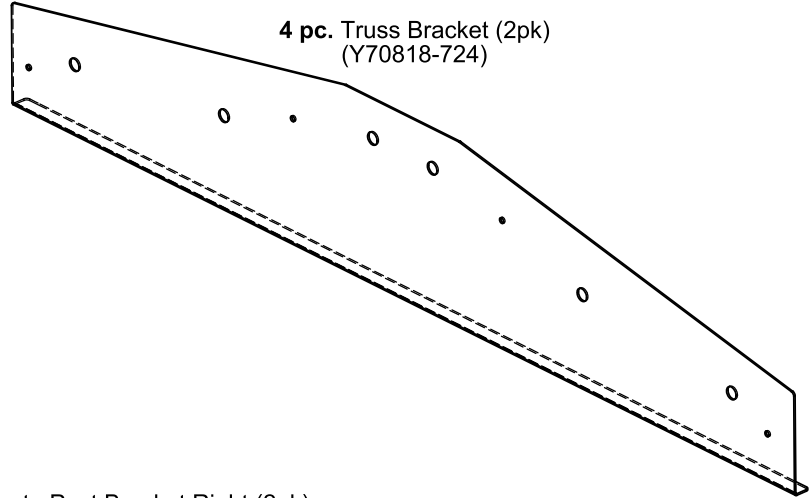
**3 pc. Roof to Beam Bracket (10pk)**  
(Y70818-723)



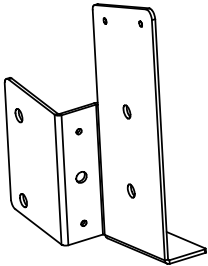
**4 pc. Truss Top Bracket (2pk)**  
(Y70818-725)



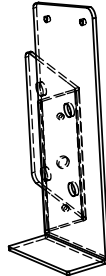
**4 pc. Truss Bracket (2pk)**  
(Y70818-724)



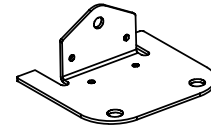
**2 pc. Truss to Post Bracket Left (2pk)**  
(Y70818-726)



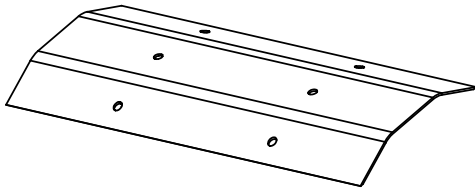
**2 pc. Truss to Post Bracket Right (2pk)**  
(Y70818-727)



**2 pc. Post Mount (8pk)**  
(Y70818-109)



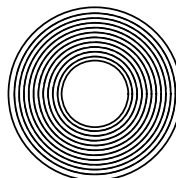
**2 pc. Peak Cap Link (Y01036-472)**



**9 pc. Peak Post (Y01000-094)**

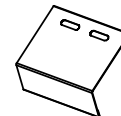


**3 pc. Peak Bracket (3pk)**  
(Y70818-741)



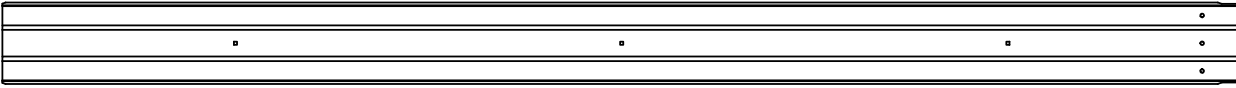
**2pc. - Weather Seal Ridge Clip (4Pk)**  
(Y70818-739)

**4 pc. Roof Edge Centre (Y01036-217)**

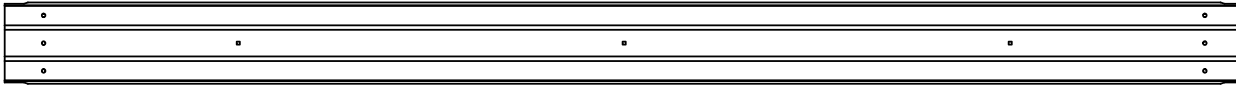


# Part Identification ( Dimensions are approximate and are shown to assist in the identification of parts for assembly. Actual dimensions may be smaller or larger. )

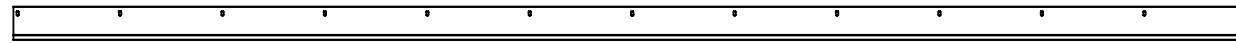
**2 pc. Peak Cap**  
(Y01036-732)



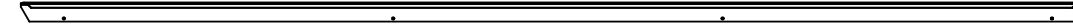
**1 pc. Peak Cap Middle**  
(Y01036-733)



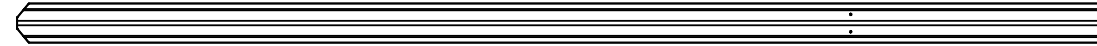
**6 pc. Roof Edge**  
(Y01036-731)



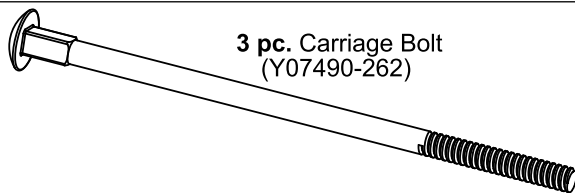
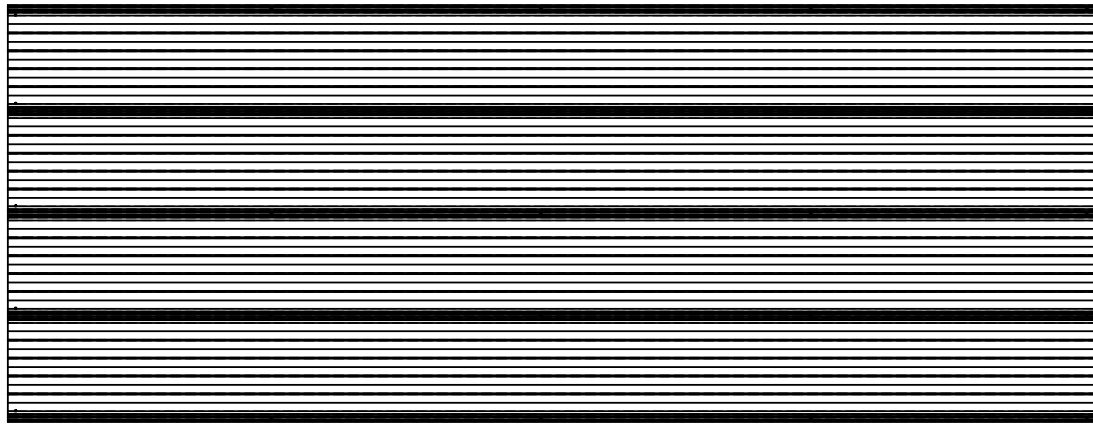
**8 pc. Ridge Clip**  
(Y01036-729)



**4 pc. Ridge Cap**  
(Y01036-730)

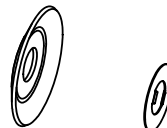


**1 pc. Roof Panel 18pk**  
(Y70836-728)



**3 pc. Carriage Bolt**  
(Y07490-262)

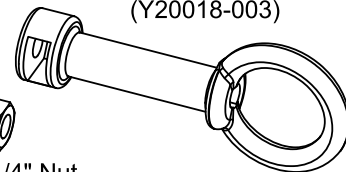
**3 pc. Contoured Washer**  
(Y05918-211)



**3 pc. Spring Clip**  
(Y09490-001)



**3 pc. 1/4" Nut**  
(Y08490-200)



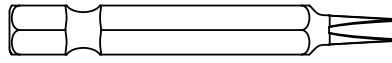
**3 pc. Roof Peak Set**  
(Y70800-734)

# Hardware Identification ( Dimensions are approximate and are shown to assist in the identification of parts for assembly. Actual dimensions may be smaller or larger. )

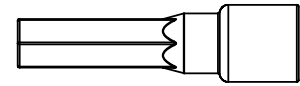
**384pc.** Wood Screw #8 x 2" (Y06091-520)



**1pc.** #2 x 2" Robertson Driver (Y00400-005)



**1pc.** Hex Driver (Y00400-004)



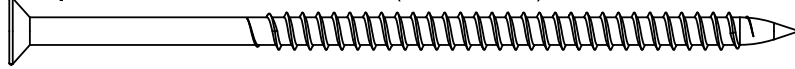
**256pc.** Wood Screw #8 x 2 1/2" - (Y06091-522)



**8pc.** Wood Screw #8 x 3" - (Y06091-530)



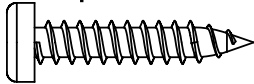
**40pc.** Wood Screw #10 x 4" - (Y06091-740)



**32pc.** Wood Screw #7 x 3/4" (Y06091-003)



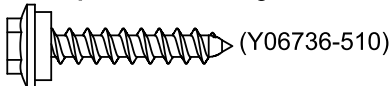
**280pc.** Pan Screw #10 x 1 1/4" - (Y06418-711)



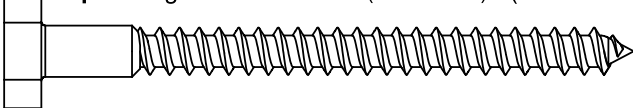
**8pc.** Sheet Metal Screw #8 x 3/4" - (Y06436-503)



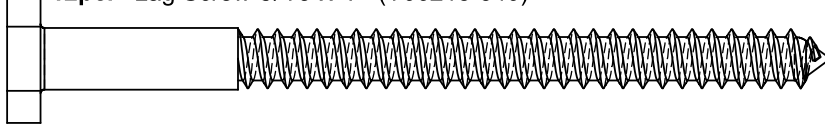
**402pc.** Hex Roofing Screw #8 x 1" (Y06736-510)



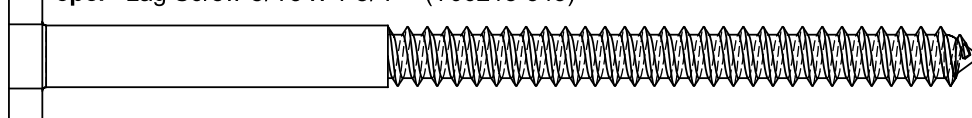
**48pc.** Lag Screw 5/16 x 3 (1/4" Shank) - (Y06218-330)



**12pc.** Lag Screw 5/16 x 4 - (Y06218-340)



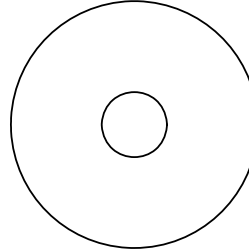
**8pc.** Lag Screw 5/16 x 4 3/4" - (Y06218-343)



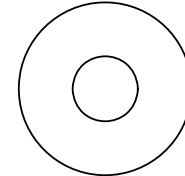
**20pc.** 5/16" Lock Washer (Y05318-300)



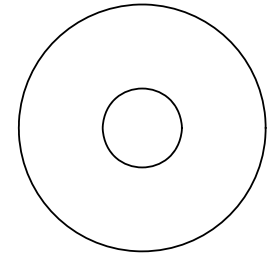
**416pc.**  
1/4-5/16 x 1-1/4" Large Washer (Y05118-311)



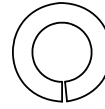
**8pc.** 5/16" Flat Washer (Y05118-203)



**28pc.**  
3/8 x 1-1/4" Large Washer (Y05118-811)



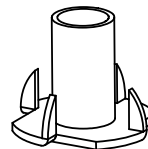
**4pc.** 3/8" Lock Washer (Y05318-800)



**54pc.** - 1/4" Lock Nut (Y08318-203)



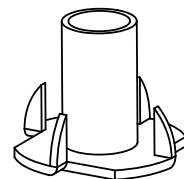
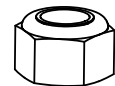
**20pc.** 5/16 - T-Nut (Y08518-300)



**12pc.** - 3/8" Lock Nut (Y08318-803)



**126pc.** - 5/16" Lock Nut (Y08318-303)



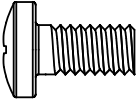
**4pc.** 3/8 - T-Nut (Y08518-800)

**1pc.** - 1/8" Drill Bit (Y00400-002)

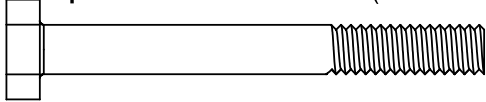


# Hardware Identification ( Dimensions are approximate and are shown to assist in the identification of parts for assembly. Actual dimensions may be smaller or larger. )

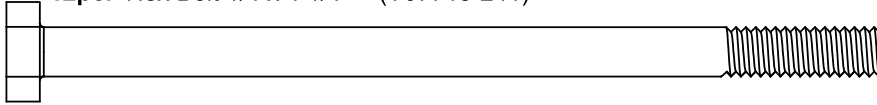
12pc. Pan Bolt 1/4 x 1/2" - (Y07436-202)



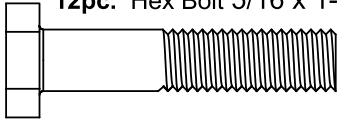
30pc. Hex Bolt 1/4 x 2 1/4" - (Y07718-221)



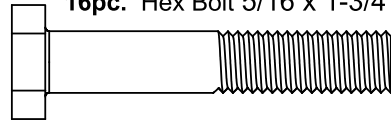
12pc. Hex Bolt 1/4 x 4 1/4" - (Y07718-241)



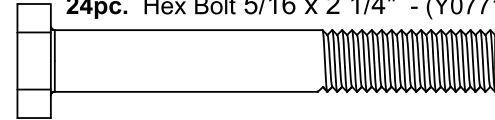
12pc. Hex Bolt 5/16 x 1-1/2" - (Y07718-312)



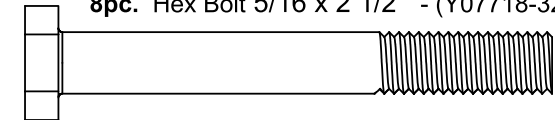
16pc. Hex Bolt 5/16 x 1-3/4" - (Y07718-313)



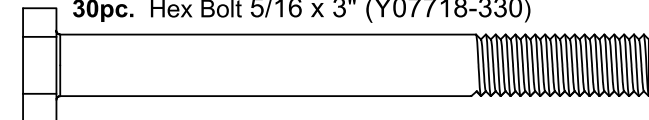
24pc. Hex Bolt 5/16 x 2 1/4" - (Y07718-321)



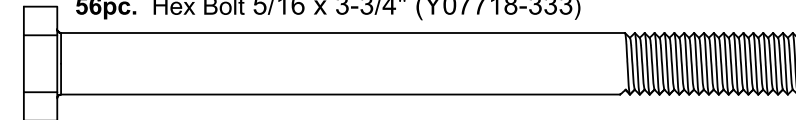
8pc. Hex Bolt 5/16 x 2 1/2" - (Y07718-322)



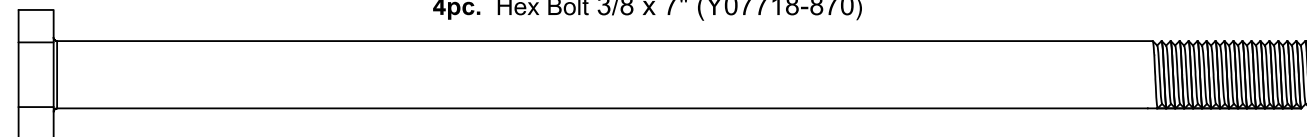
30pc. Hex Bolt 5/16 x 3" (Y07718-330)



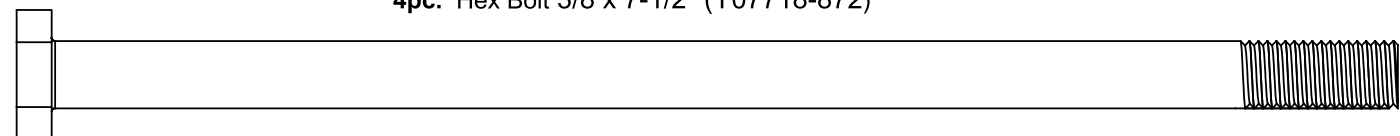
56pc. Hex Bolt 5/16 x 3-3/4" (Y07718-333)



4pc. Hex Bolt 3/8 x 7" (Y07718-870)



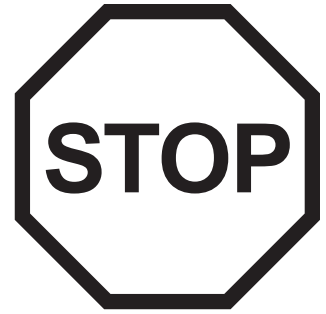
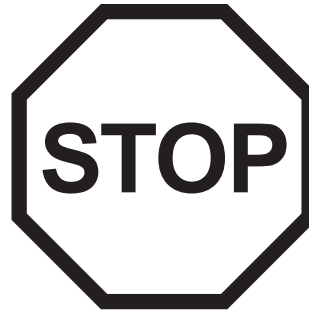
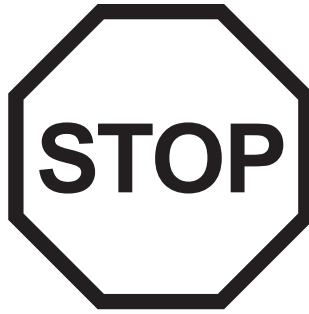
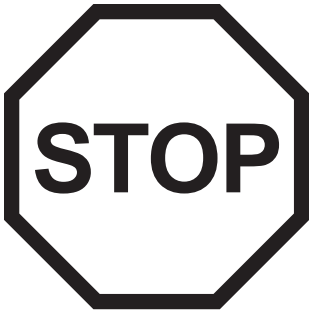
4pc. Hex Bolt 3/8 x 7-1/2" (Y07718-872)



8pc. Hex Bolt 3/8 x 8" (Y07718-880)



# Step 1: Inventory Parts - Read This Before Starting Assembly



- A. This is the time for you to inventory all your hardware, wood and accessories, referencing the parts identification sheets. This will assist you with your assembly.
- Each step indicates which bolts and/or screws you will need for assembly, as well as any flat washers, lock washers, t-nuts or lock nuts.
- B. If there are any missing or damaged pieces or you need assistance with assembly please contact the consumer relations department directly. Call us before going back to the store.

**1-888-509-4382**

**support@yardistrystructures.com**

- C. Read the assembly manual completely, paying special attention to ANSI warnings; notes; and safety/maintenance information on pages 1 - 4.
- Follow the instructions in order.
  - This structure is designed to be assembled and installed ideally by four people, DO NOT attempt to install alone.
  - Consider the slope of elevation where you plan to install the structure. Also, check for gas, telephone, other utilities or sprinkler line locations prior to excavating any holes.
- D. Before you discard your cartons fill out the form below.
- The carton I.D. stamp is located on the end of each carton.
  - Please retain this information for future reference. You will need this information if you contact the Consumer Relations Department.

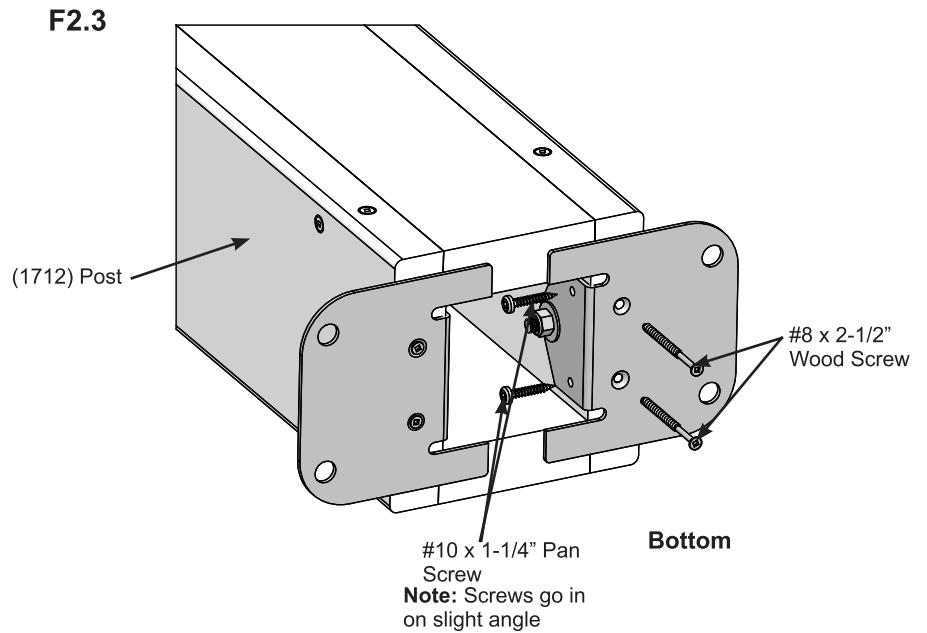
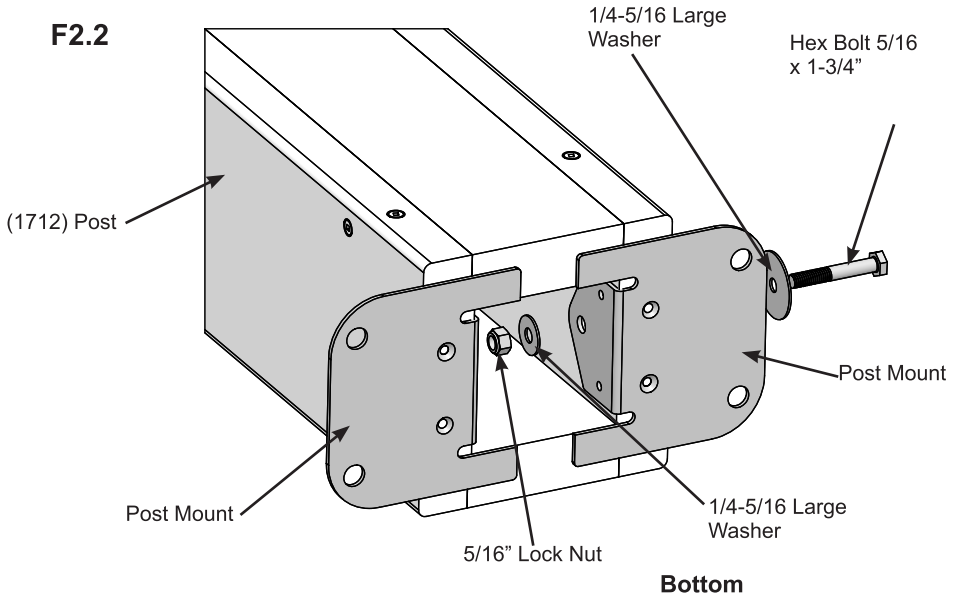
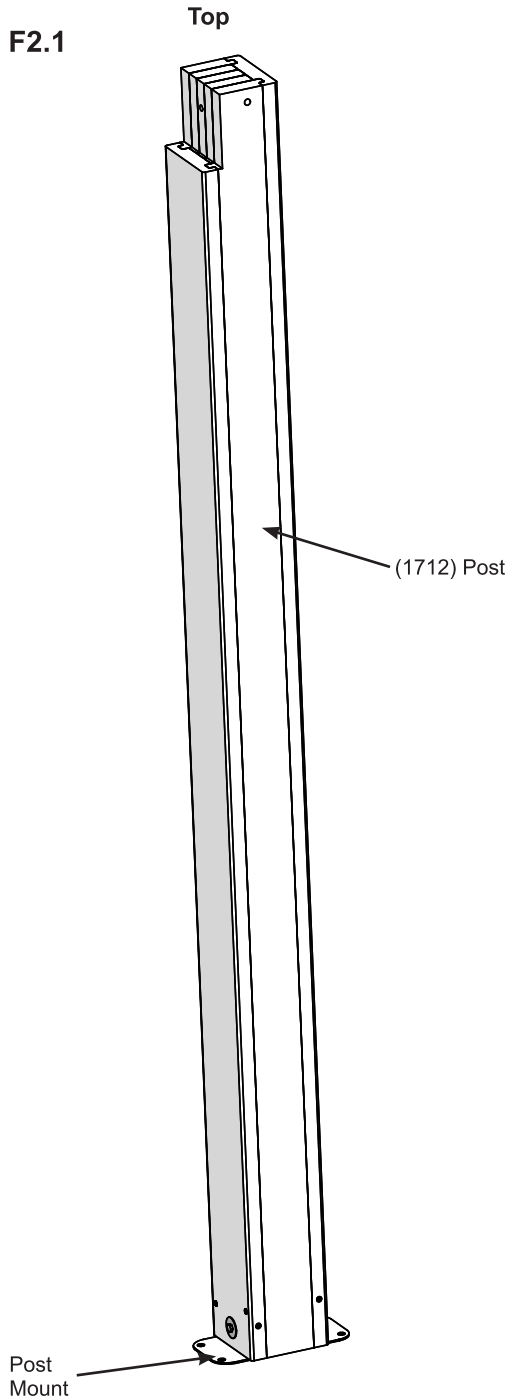
**PRODUCT NUMBER: YM12870**

CARTON I.D. STAMP:     14459   (Box 1)



## Step 2: Post Assemblies

**A:** At the bottom of eight (1712) Posts place two Post Mounts tight to the bottom and inside faces on the sides as shown in F2.1 and F2.2. Loosely attach with one 5/16 x 1-3/4" Hex Bolt (with two 1/4-5/16" large washers and one 5/16" lock nut) per mount. From the bottom attach with two #8 x 2-1/2" Wood Screws and two #10 x 1-1/4" Pan Screws per mount. Tighten bolts. (F2.1, F2.2 and F2.3)



### Wood Parts

8 x (1712) Post

### Components

16 x Post Mount

### Hardware

16 x 5/16 x 1-3/4" Hex Bolt  
(1/4-5/16" large washer x 2, 5/16" lock nut)

32 x #8 x 2-1/2" Wood Screw

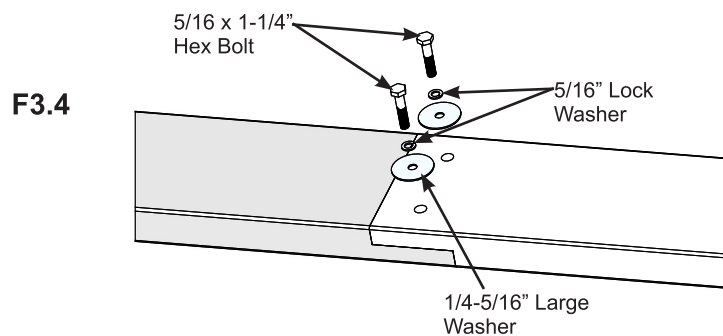
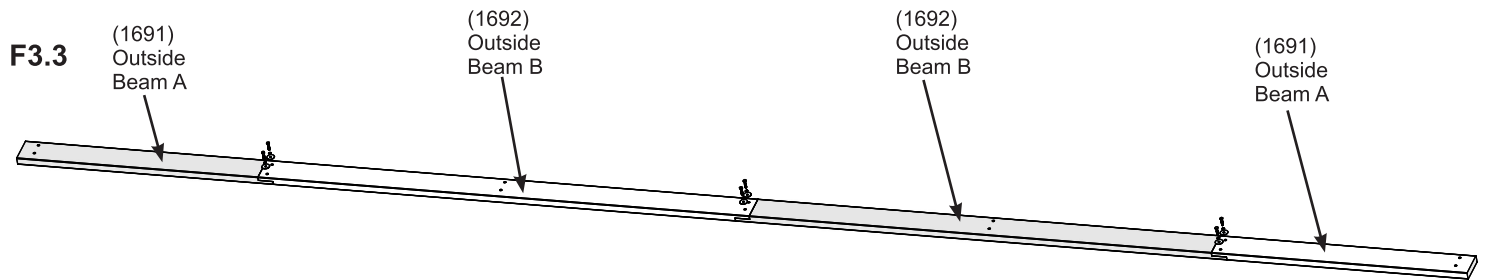
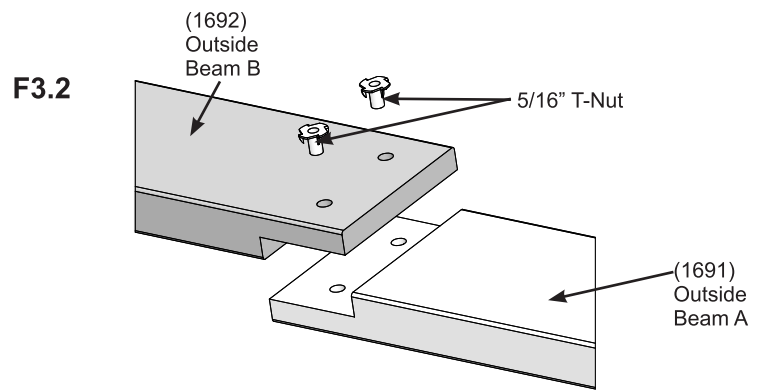
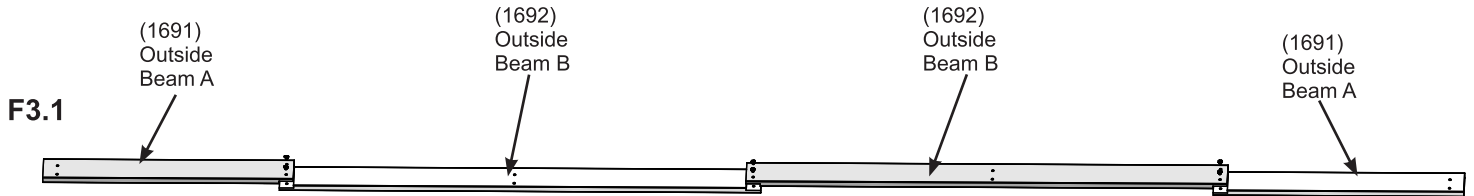
32 x #10 x 1-1/4" Pan Screw

# Step 3: Beam Assembly

## Part 1

**A:** Place two (1691) Outside Beam A's and two (1692) Outside Beam B's as shown in Fig 3.1. Install 5/16" T-Nuts in one (1691) Outside Beam A and one (1692) Outside Beam B. (F3.1 and F3.2)

**B:** Flip boards over and bolt together using six 5/16 x 1-1/2" Hex Bolts (with 5/16" lock washer and 1/4-5/16" large washer) into the T-Nuts. (F3.3 and F3.4)



### Wood Parts

4 x (1691) Outside Beam A  
4 x (1692) Outside Beam B

### Hardware

12 x 5/16" T-Nut  
12 x 5/16 x 1-1/2" Hex Bolt  
(5/16" lock washer, 1/4-5/16 large washer)

# Step 3: Beam Assembly

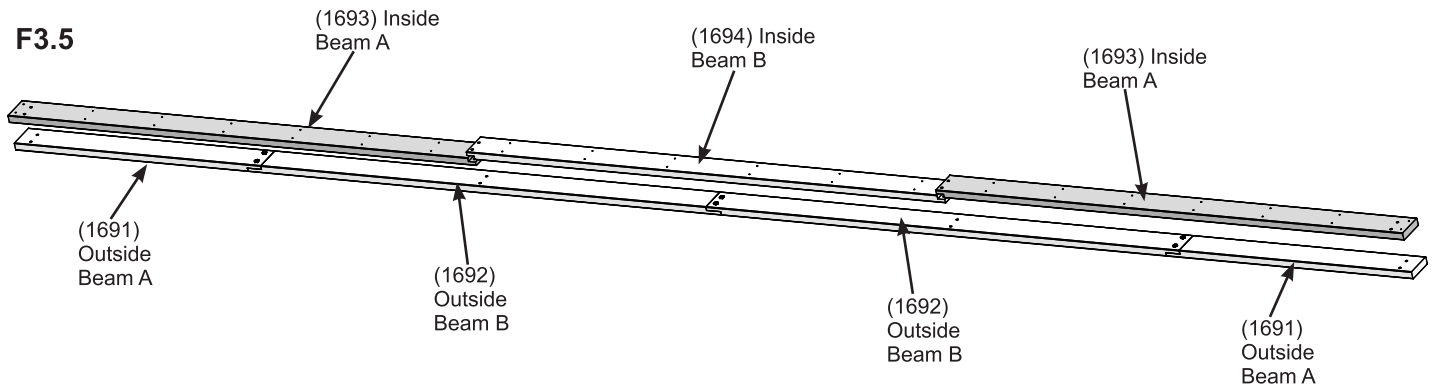
## Part 2

**C:** Turn assembly so the bolt heads are facing down and place two (1693) Inside Beam A's and one (1694) Inside Beam B on top. (F3.5 and F3.6)

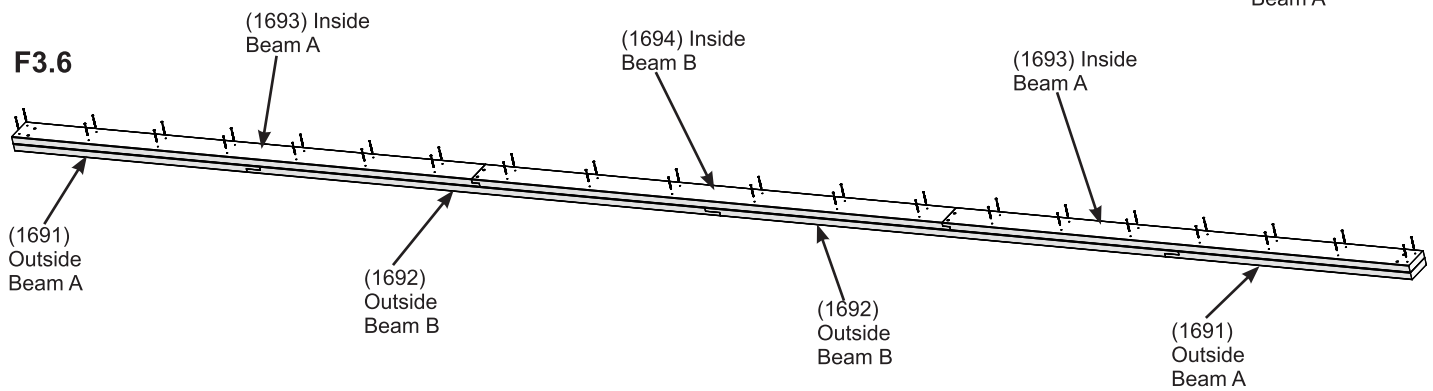
**D:** Use 3/8" Hex Bolts to align holes. Ensure ends are flush and attach together using 40 #8 x 2-1/2" Wood Screws. (F3.6, F3.7 and F3.8)

**E:** Repeat Steps A-D to create a second Beam Assembly.

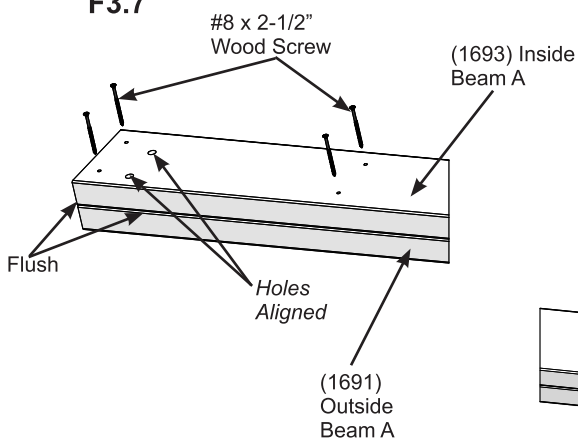
**F3.5**



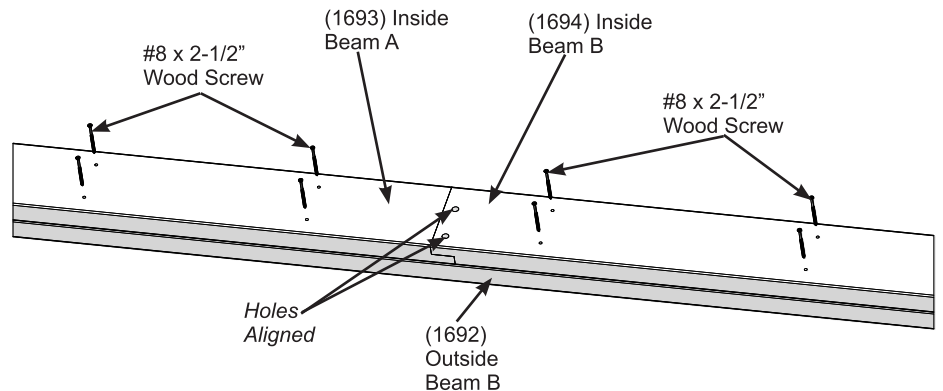
**F3.6**



**F3.7**



**F3.8**



### Wood Parts

- 4 x (1693) Inside Beam A
- 2 x (1694) Inside Beam B

### Hardware

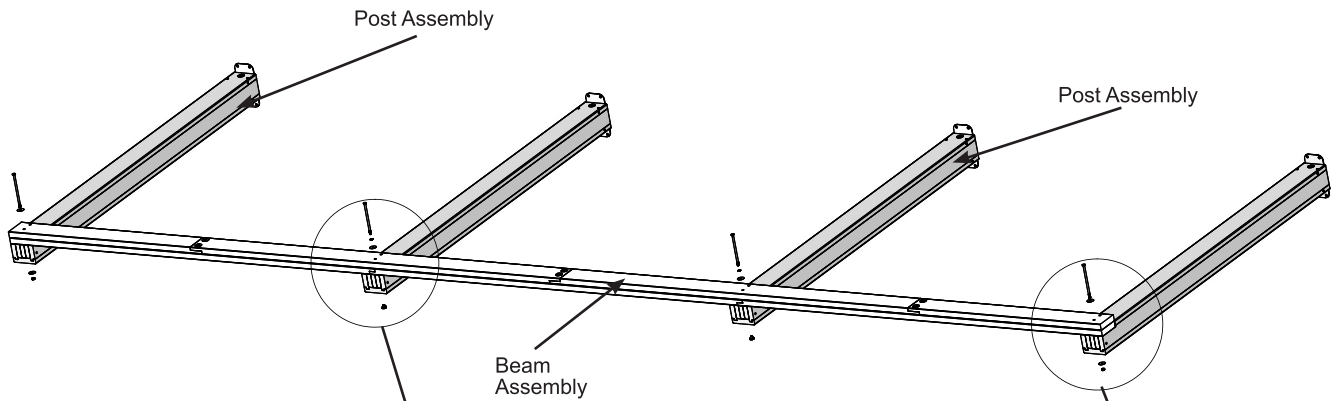
- 80 x #8 x 2-1/2" Wood Screw

# Step 4: Frame Assembly

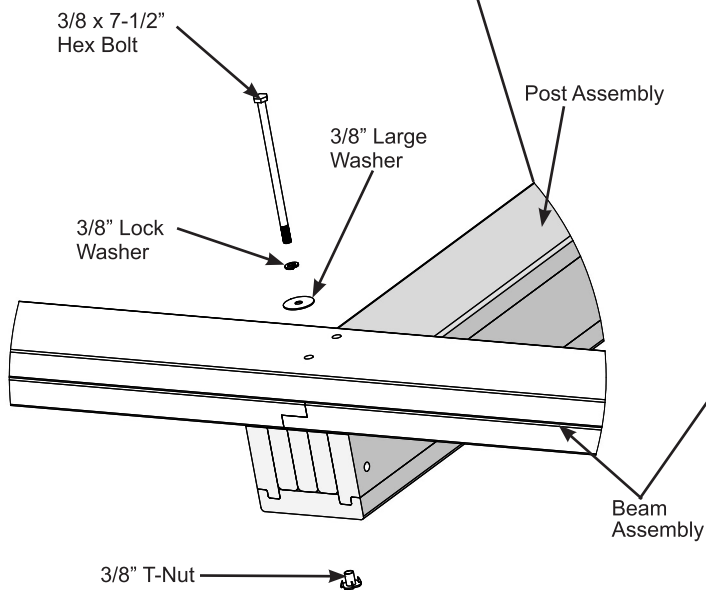
## Part 1

**A:** On a hard, flat surface place one Beam Assembly in the notches of four Post Assemblies, flush to the tops and outside corners. Attach Beam Assembly to Post Assemblies, through the top hole, with one 3/8 x 8" Hex Bolt (with two 3/8" large washers and one 3/8" lock nut) per Post Assembly on the outside and one 3/8 x 7-1/2" Hex Bolt (with 3/8" lock washer, 3/8" large washer and 3/8" t-nut) per Post Assembly in the middle. (F4.1, F4.2 and F4.3)

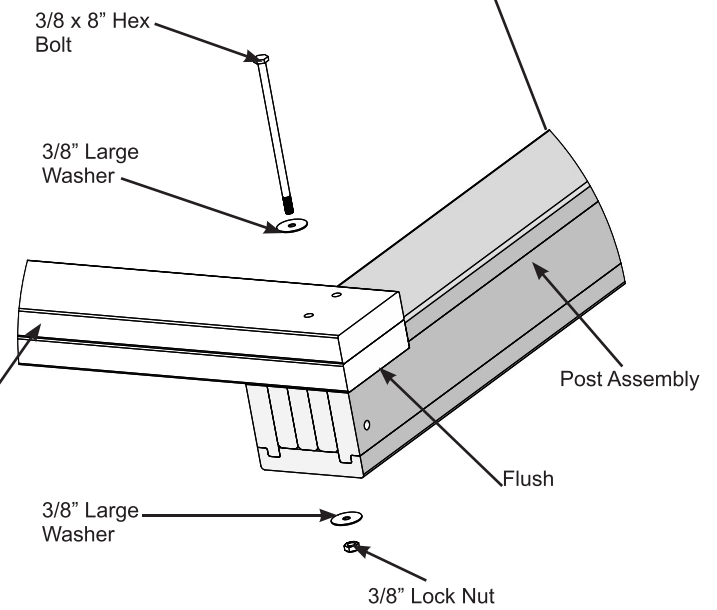
**F4.1**



**F4.2**



**F4.3**



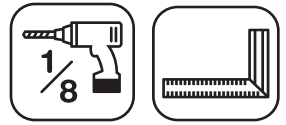
### Hardware

4 x 3/8 x 8" Hex Bolt  
(3/8" large washer x 2, 3/8" lock nut)

4 x 3/8 x 7-1/2" Hex Bolt  
(3/8" lock washer, 3/8" large washer, 3/8" t-nut)

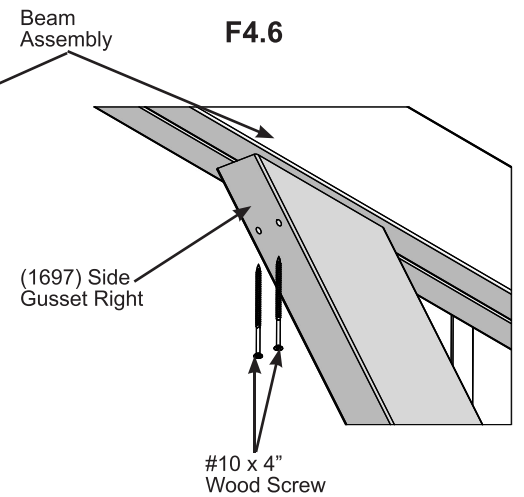
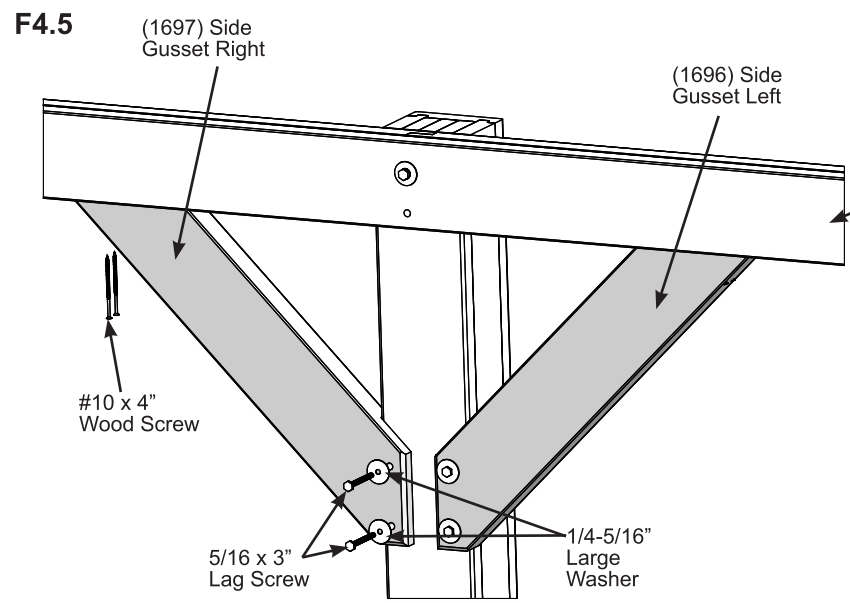
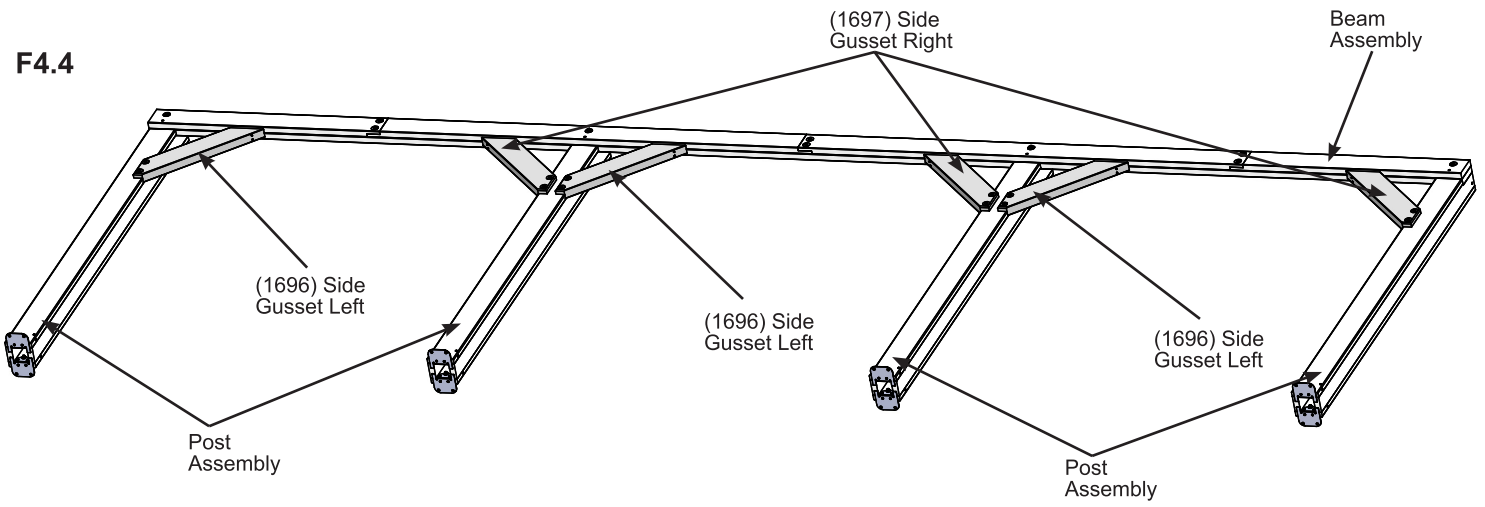
# Step 4: Frame Assembly

## Part 2



**B:** Make sure Beam Assembly is square with the Post Assemblies then facing from the outside place three (1696) Side Gusset Left on the left hand side so the top fits tight to the Beam Assembly and the bottom fits tight to the Post Assemblies. Attach gusset to Beam Assembly with two #10 x 4" Wood Screws per gusset. Pre-drill with a 1/8" drill bit then attach (1696) Side Gusset Left to Post Assemblies with two 5/16 x 3" Lag Screws (with 1/4-5/16" large washer).

**C:** Repeat Step B on the right hand side with three (1697) Side Gusset Rights. (F4.4, F4.5 and F4.6)



### Wood Parts

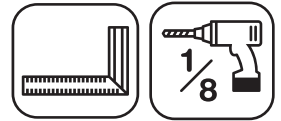
- 6 x (1696) Side Gusset Left
- 6 x (1697) Side Gusset Right

### Hardware

- 24 x #10 x 4" Wood Screw
- 24 x 5/16 x 3" Lag Screw (1/4-5/16" large washer)

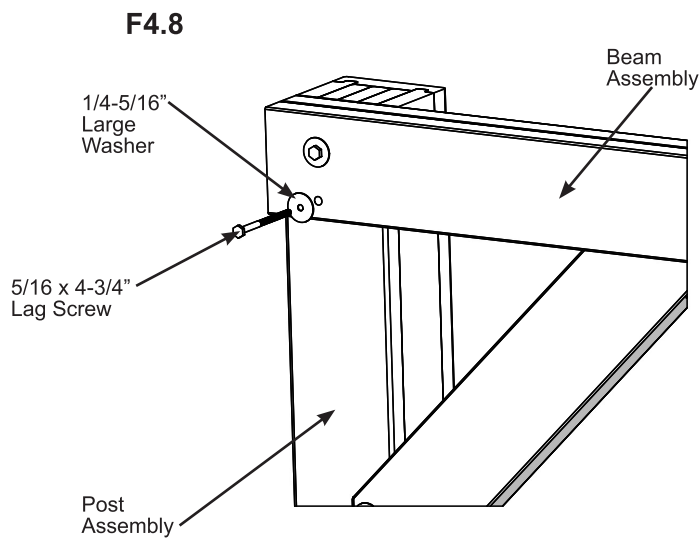
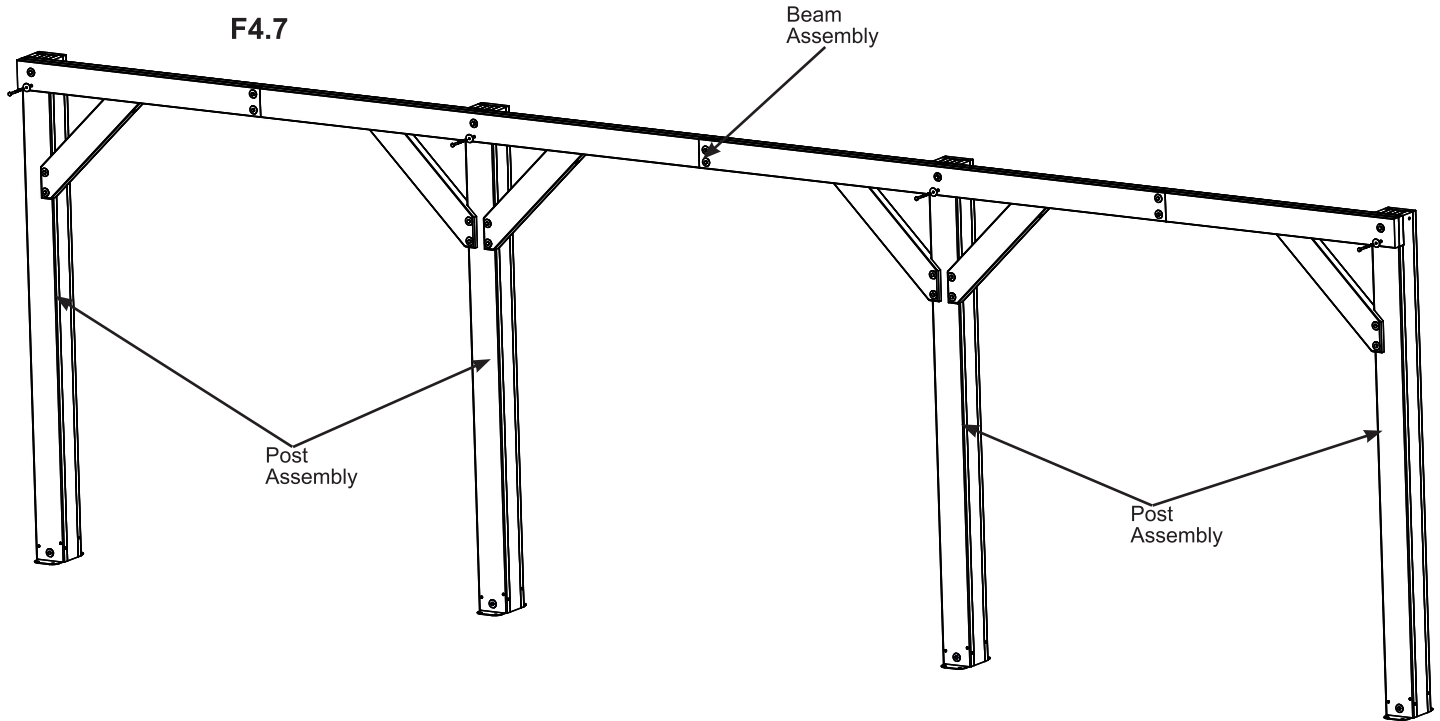
# Step 4: Frame Assembly

## Part 3



**D:** Make sure Beam Assembly is square with the Post Assemblies. Pre drill and install four 5/16 x 4-3/4" Lag Screws (with 1/4-5/16" large washer) in the bottom holes. (F4.7 and F4.8)

**E:** Repeat Steps A to D for a second Frame Assembly.



### Hardware

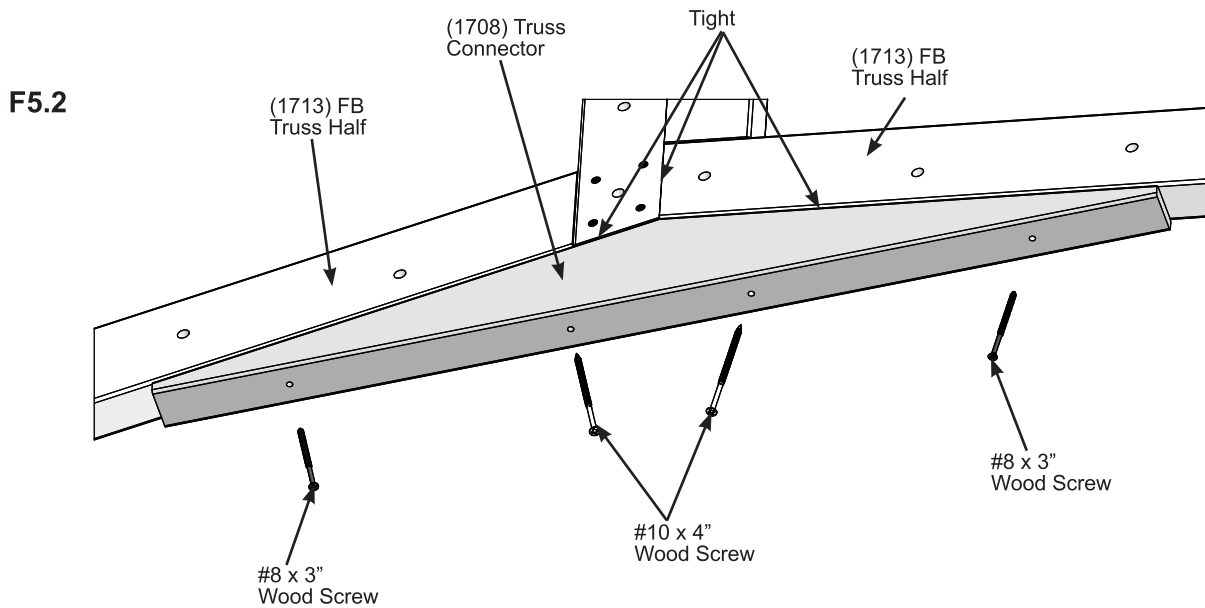
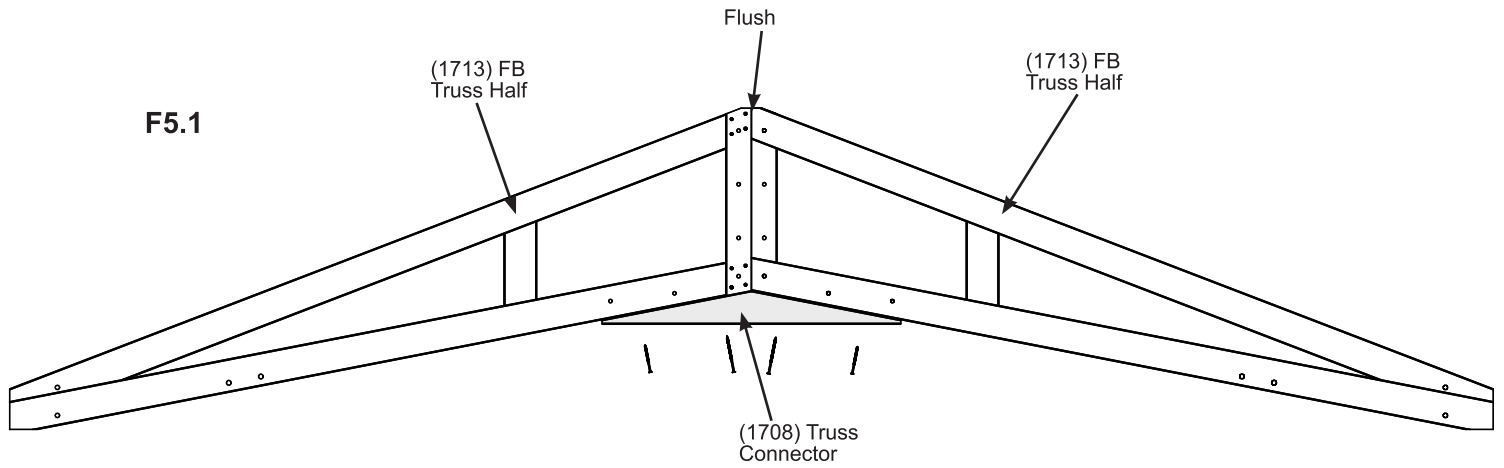
8 x 5/16 x 4-3/4" Lag Screw  
(1/4-5/16" large washer)



# Step 5: FB Truss Assembly

## Part 1

**A:** Connect two (1713) FB Truss Halves together with one (1708) Truss Connector using two #8 x 3" Wood Screws and two #10 x 4" Wood Screws. (F5.1 and F5.2)



### Wood Parts

- 4 x (1713) FB Truss Half
- 2 x (1708) Truss Connector

### Hardware

- 4 x #8 x 3" Wood Screw
- 4 x #10 x 4" Wood Screw

# Step 5: FB Truss Assembly

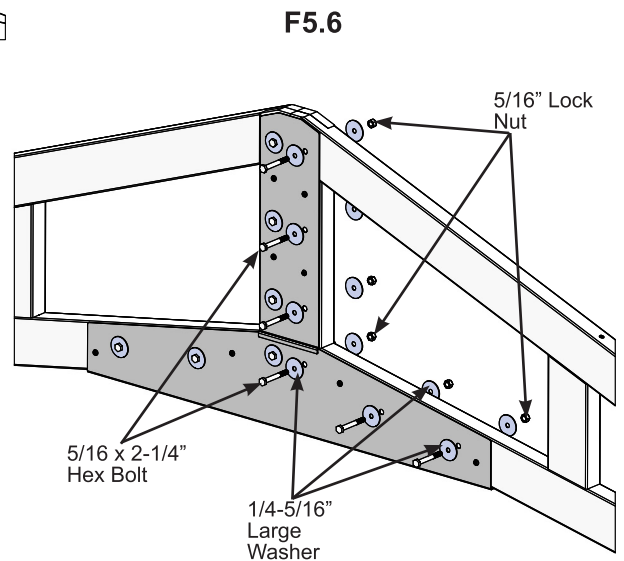
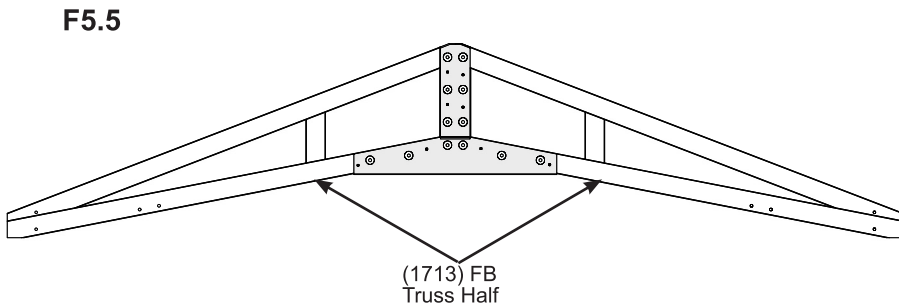
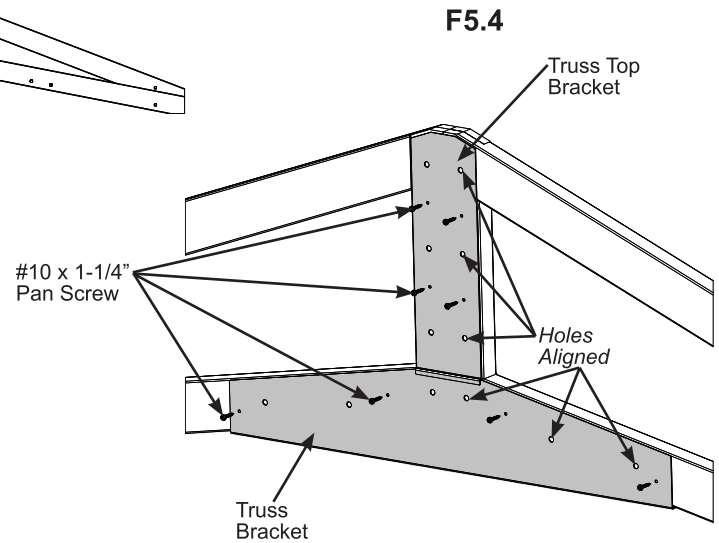
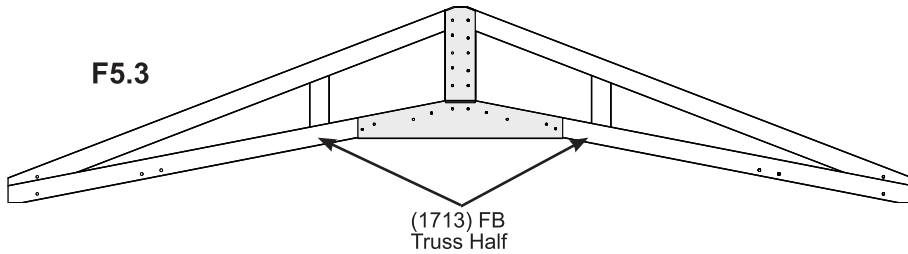
## Part 2

**B:** Place one Truss Bracket and one Truss Top Bracket so the bolt holes are aligned and attach using eight #10 x 1-1/4" Pan Screws. (F5.3 and F5.4)

**C:** Flip assembly over and place one Truss Bracket and one Truss Top Bracket so the bolt holes are aligned and attach using eight #10 x 1-1/4" Pan Screws. (F5.3 and F5.4)

**D:** Bolt together using twelve 5/16 x 2-1/4" Hex Bolts (with two 1/4-5/16" large washers and one 5/16" lock nut). (F5.5 and F5.6)

**E:** Repeat Steps A to D to create a second FB Truss Assembly.



### Components

4 x Truss Bracket  
4 x Truss Top Bracket

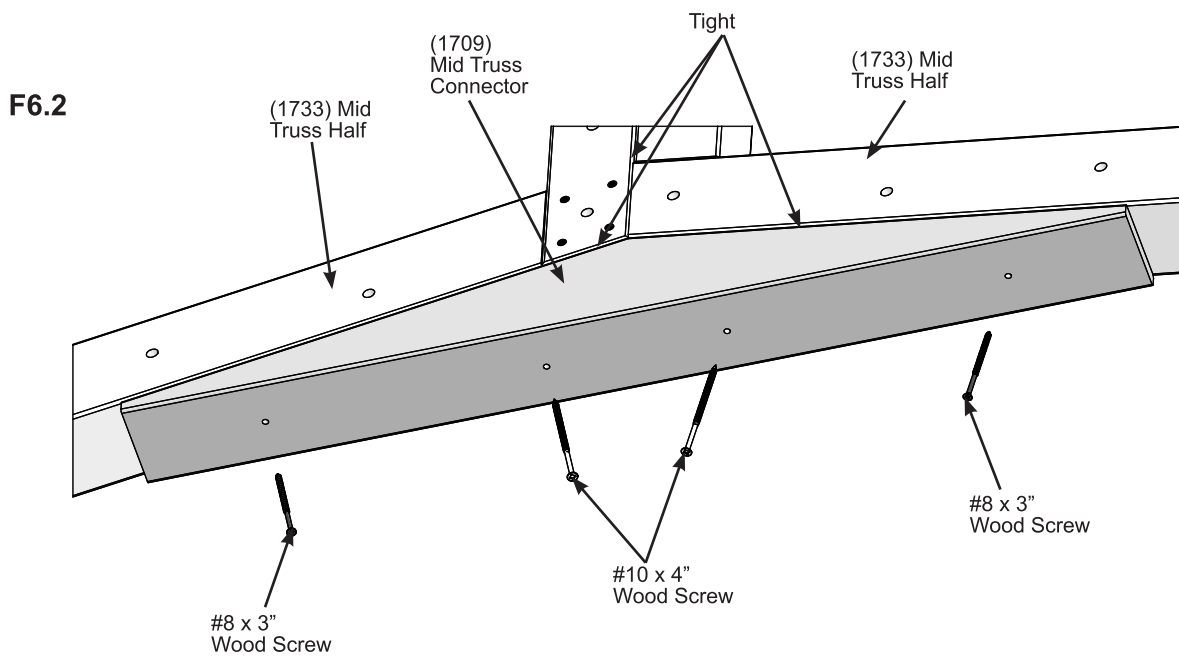
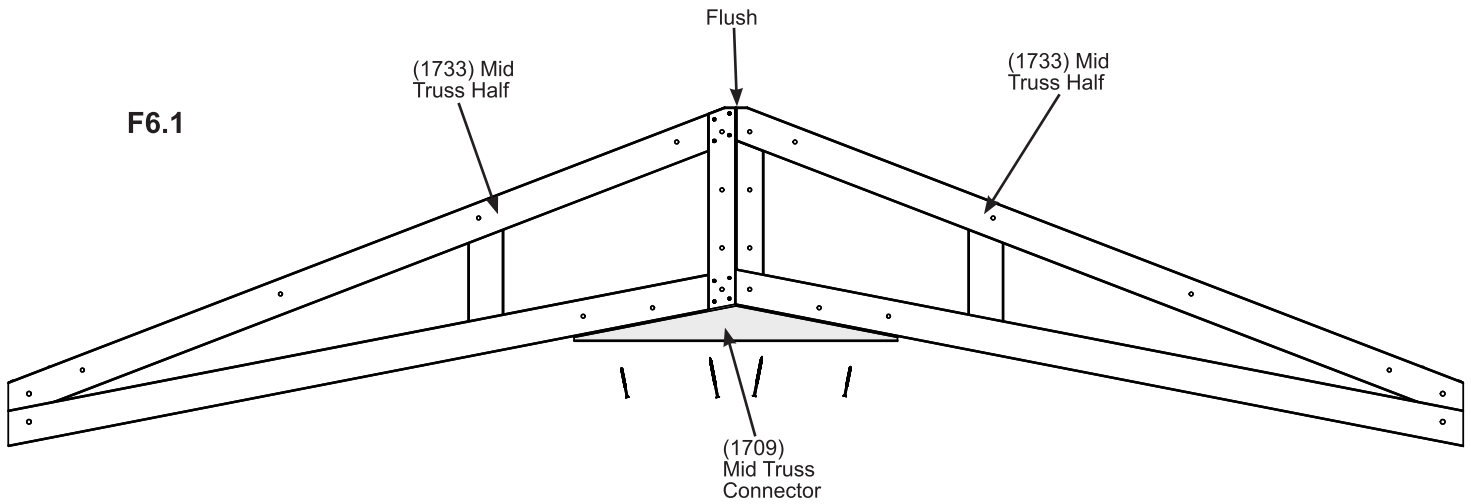
### Hardware

32 x #10 x 1-1/4" Pan Screw  
24 x 5/16 x 2-1/4" Hex Bolt  
(1/4-5/16" large washer x 2, 5/16" lock nut)

# Step 6: Mid Truss Assembly

## Part 1

**A:** Connect two (1733) Mid Truss Halves together with one (1709) Mid Truss Connector using two #8 x 3" Wood Screws and two #10 x 4" Wood Screws. (F6.1 and F6.2)



### Wood Parts

- 4 x (1733) Mid Truss Half
- 2 x (1709) Mid Truss Connector

### Hardware

- 4 x #8 x 3" Wood Screw
- 4 x #10 x 4" Wood Screw

# Step 6: Mid Truss Assembly

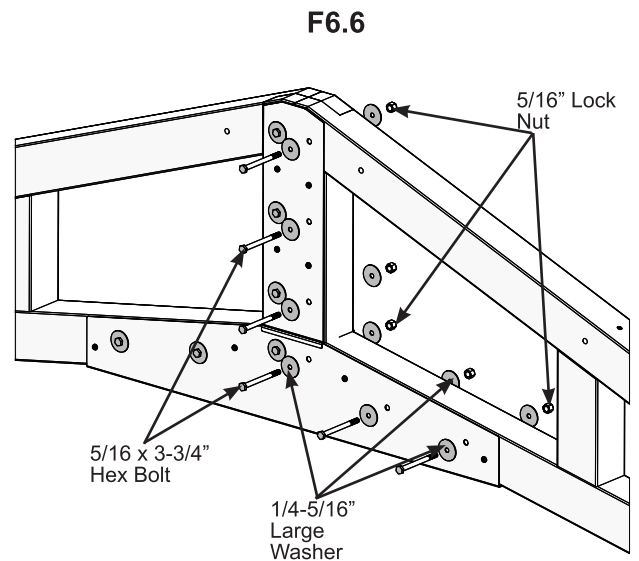
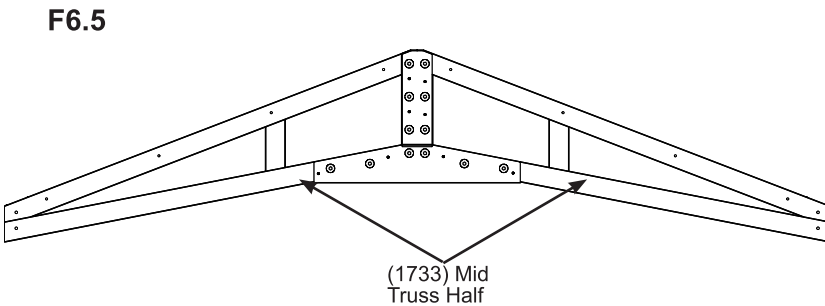
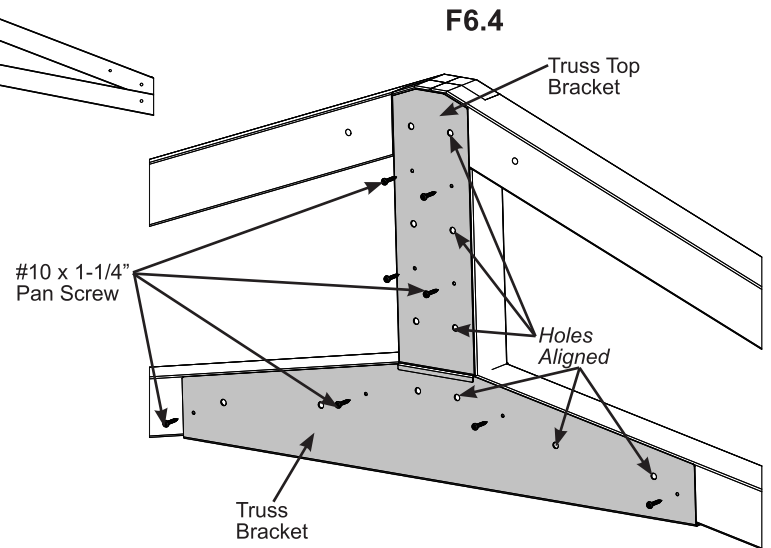
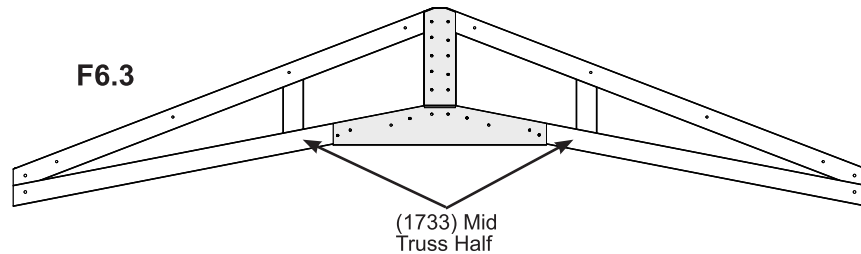
## Part 2

**B:** Place one Truss Bracket and one Truss Top Bracket so the bolt holes are aligned and attach using eight #10 x 1-1/4" Pan Screws. (F6.3 and F6.4)

**C:** Flip assembly over and place one Truss Bracket and one Truss Top Bracket so the bolt holes are aligned and attach using eight #10 x 1-1/4" Pan Screws. (F6.3 and F6.4)

**D:** Bolt together using twelve 5/16 x 3-3/4" Hex Bolts (with two 1/4-5/16" large washers and one 5/16" Lock Nut). (F6.5 and F6.6)

**E:** Repeat Steps A to D to create a second FB Truss Assembly.



### Components

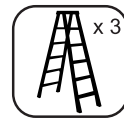
4 x Truss Bracket  
4 x Truss Top Bracket

### Hardware

32 x #10 x 1-1/4" Pan Screw  
24 x 5/16 x 3-3/4" Hex Bolt  
(1/4-5/16" large washer x 2, 5/16" lock nut)

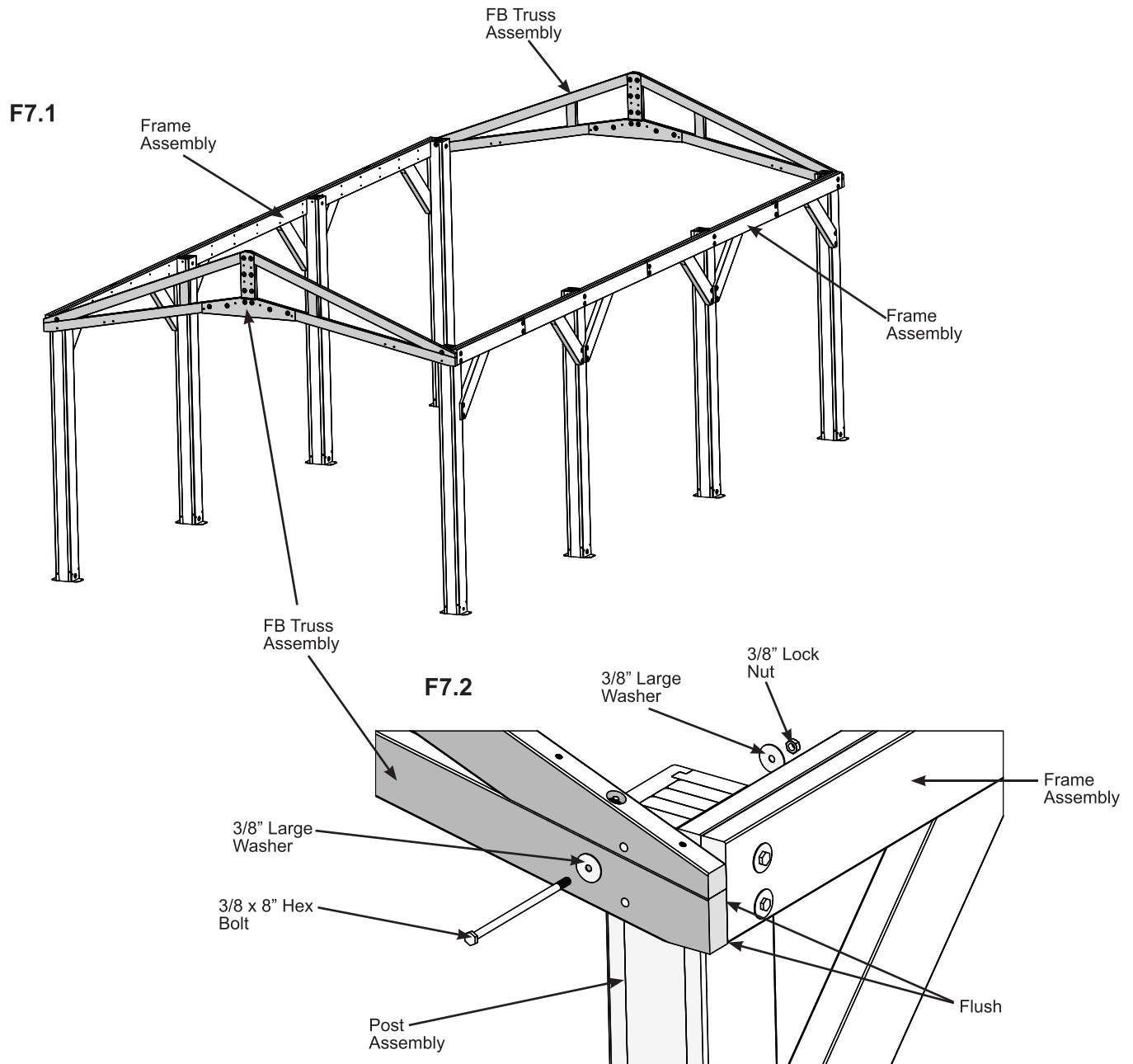
# Step 7: Frame Assembly

## Part 1



**A:** Move your Post Assemblies to the final location. Make sure the ground is flat and level before continuing assembly.

**B:** With helpers stand up Frame Assemblies then place one FB Truss Assembly against the outside of two Frame Assemblies, flush to the outside and bottom of the Beam Assemblies. Attach FB Truss Assembly to Post Assemblies through the top hole with one 3/8 x 8" Hex Bolt (with two 3/8" large washers and one 3/8" lock nut) per Post. Repeat for the second FB Truss Assembly on the opposite side. (F7.1 and F7.2)



### Hardware

4 x 3/8 x 8" Hex Bolt  
(3/8" large washer x 2, 3/8" lock nut)

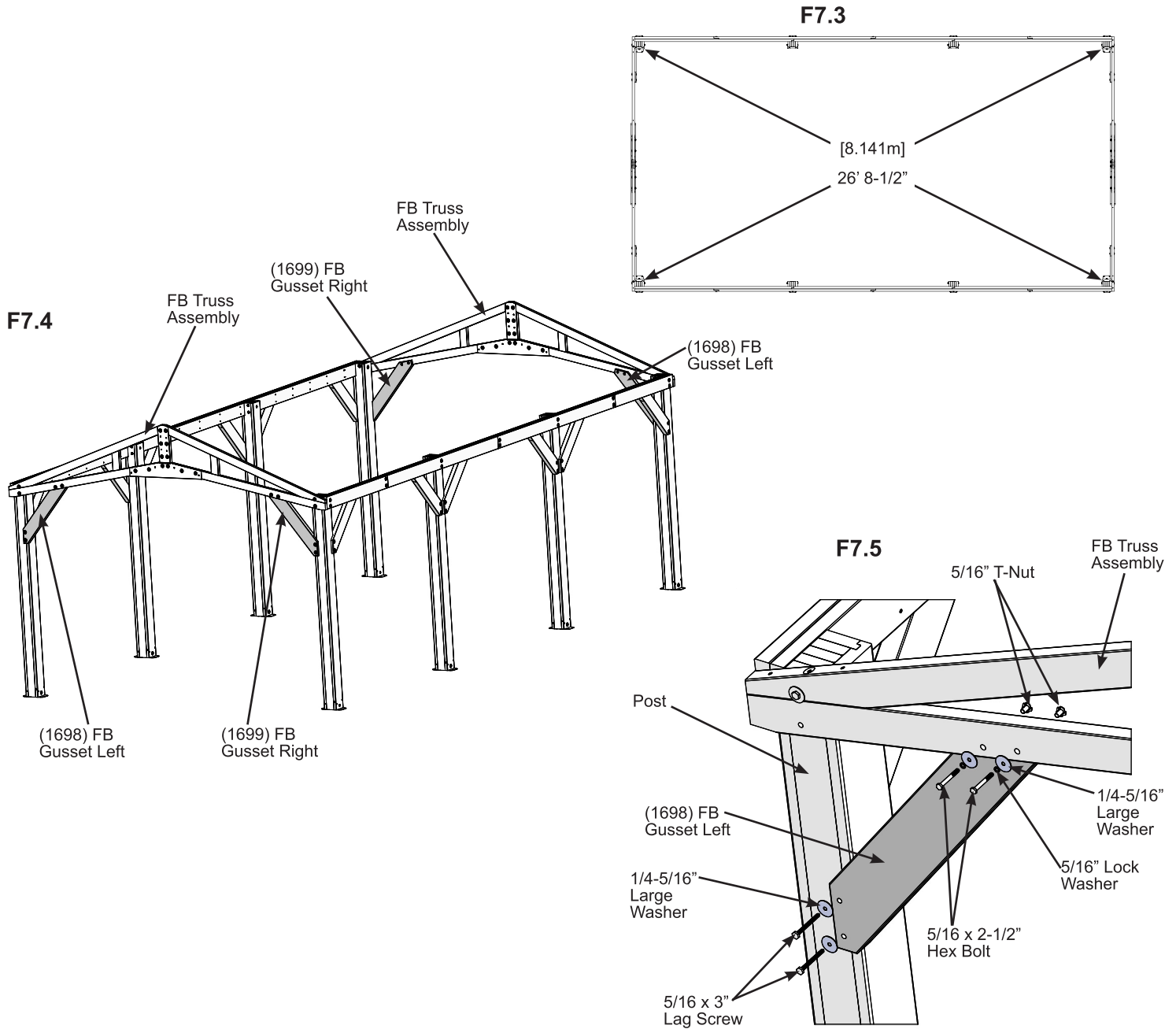
# Step 7: Frame Assembly

## Part 2



**C:** Make sure Frame Assembly is square and level then facing one FB Truss Assembly from the outside place one (1698) FB Gusset Left on the left hand side and one (1699) FB Gusset Right on the right hand side so the tops fit tight to the FB Truss assembly and bottom fits tight to the Posts. Attach each gusset to FB Truss Assembly with two 5/16 x 2-1/2" Hex Bolts (with 5/16" Lock washer, 1/4-5/16" large washer and 5/16" T-Nut) per gusset. Pre Drill with a 1/8" drill bit then attach each gusset to each post with two 5/16 x 3" Lag Screw (with 1/4-5/16" large washer) per gusset. (F7.3, F7.4 and F7.5)

**D:** Repeat Step C on the other FB Truss Assembly.



### Wood Parts

- 2 x (1698) FB Gusset Left
- 2 x (1699) FB Gusset Right

### Hardware

- 8 x 5/16 x 2-1/2" Hex Bolt (5/16" lock washer, 1/4-5/16" large washer, 5/16" t-nut)
- 8 x 5/16 x 3" Lag Screw (1/4-5/16" large washer)



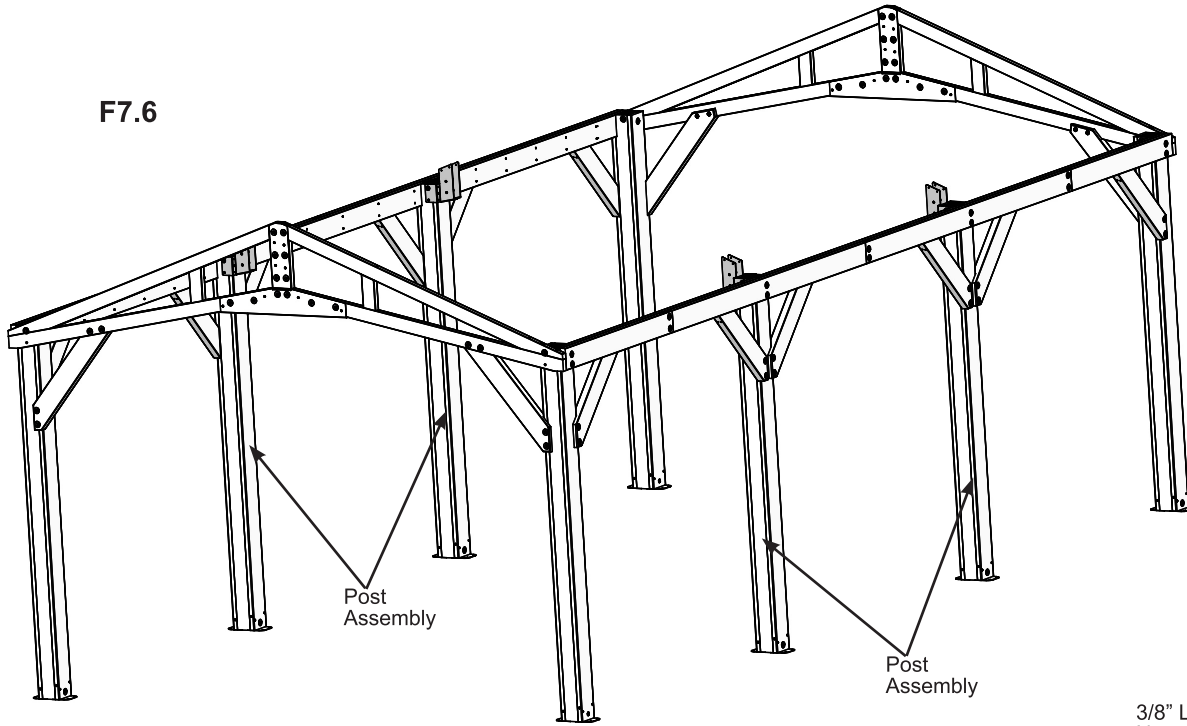
# Step 7: Frame Assembly

## Part 3

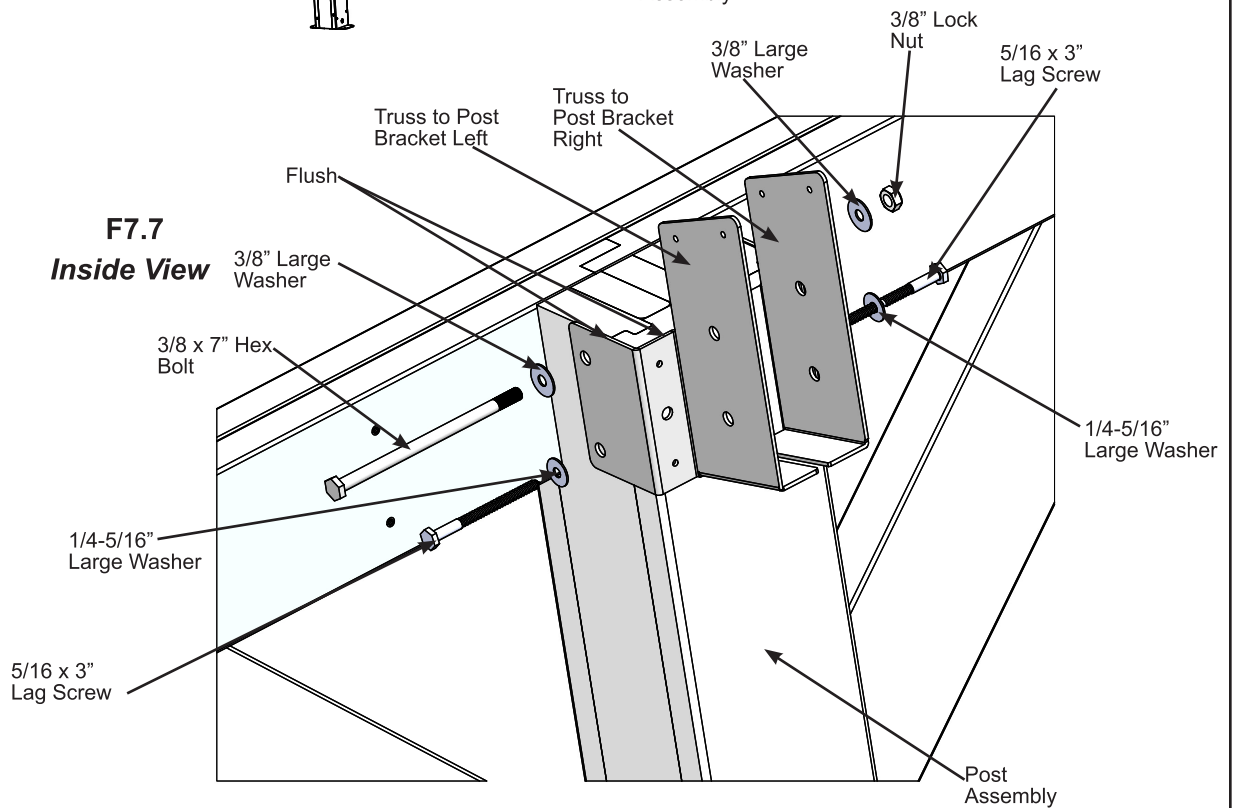


**E:** Flush to the top of the middle four Post Assemblies attach one Truss to Post Bracket Left and one Truss to Post Bracket Right using one 3/8 x 7" Hex Bolt (with two 3/8" large washers and one 3/8" lock nut) per Post Assembly then pre-drill and install one 5/16 x 3" Lag Screw (1/4-5/16" large washer) per bracket. (F7.6 and F7.7)

**F7.6**



**F7.7**  
**Inside View**



### Components

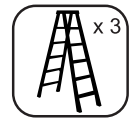
4 x Truss to Post Bracket Left  
4 x Truss to Post Bracket Right

### Hardware

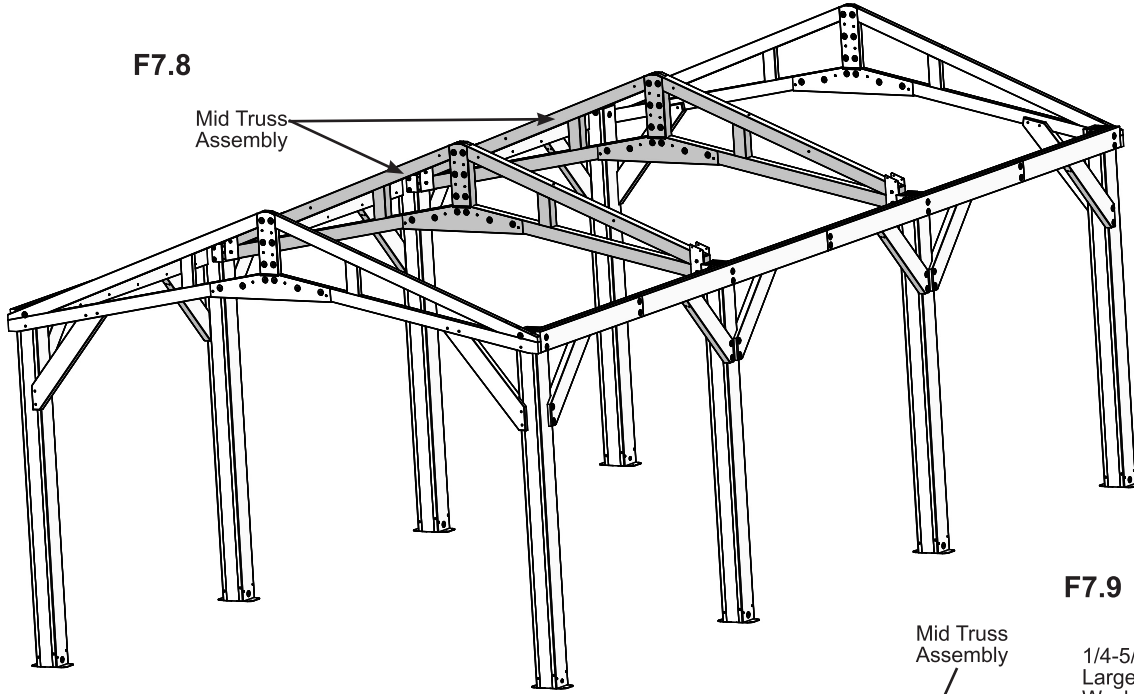
4 x 3/8 x 7" Hex Bolt  
(3/8" large washer x 2, 3/8" lock nut)  
8 x 5/16 x 3" Lag Screw  
(1/4-5/16" large washer)

# Step 7: Frame Assembly

## Part 4

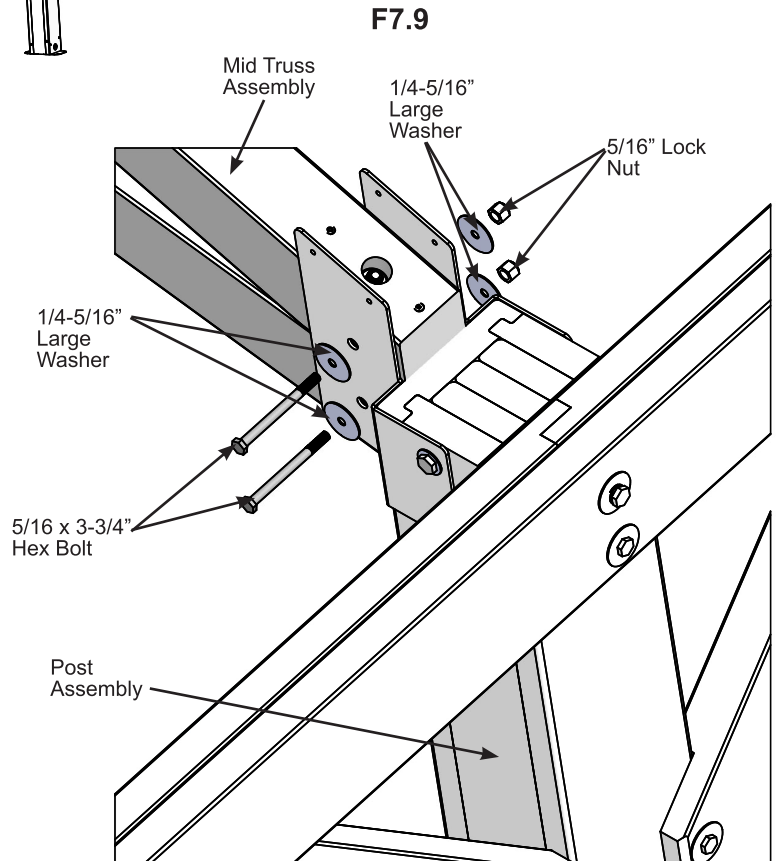


F: With helpers place Mid Truss Assembly onto the Truss to Post Bracket Left and Truss to Post Bracket Rights. Loosely attach each end of the Mid Truss Assembly to Truss to Post Bracket Left and Truss to Post Bracket Rights using two 5/16 x 3-3/4" Hex Bolts (with two 1/4-5/16" large washers and one 5/16" lock nut) per end. (F7.8 and F7.9)



F7.8

Mid Truss Assembly



F7.9

### Hardware

8 x 5/16 x 3-3/4" Hex Bolt  
(1/4-5/16" large x 2, 5/16" lock nut)

# Step 7: Frame Assembly and Anchoring

## Part 5

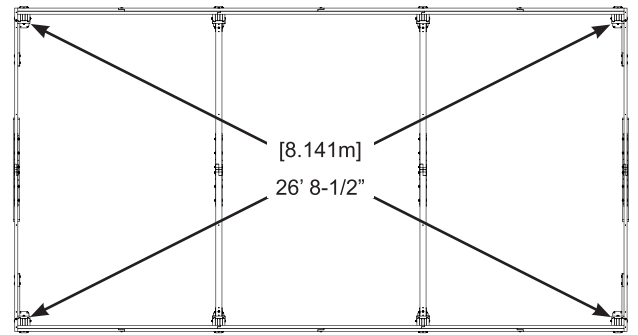


**G:** Make sure Frame Assembly is square, place one (1700) Gusset on each end of Mid Truss Assembly so the tops fit tight to the Mid Truss assembly and bottom fits tight to the Posts. Attach each gusset to Mid Truss Assembly and Post with two #10 x 4" Wood Screws per gusset. Pre drill using a 1/8" drill bit and attach each gusset to Mid Truss Assembly and Post with two 5/16 x 4" Lag Screws (with 5/16" flat washer) per gusset. (F7.10, F7.11 and F7.12)

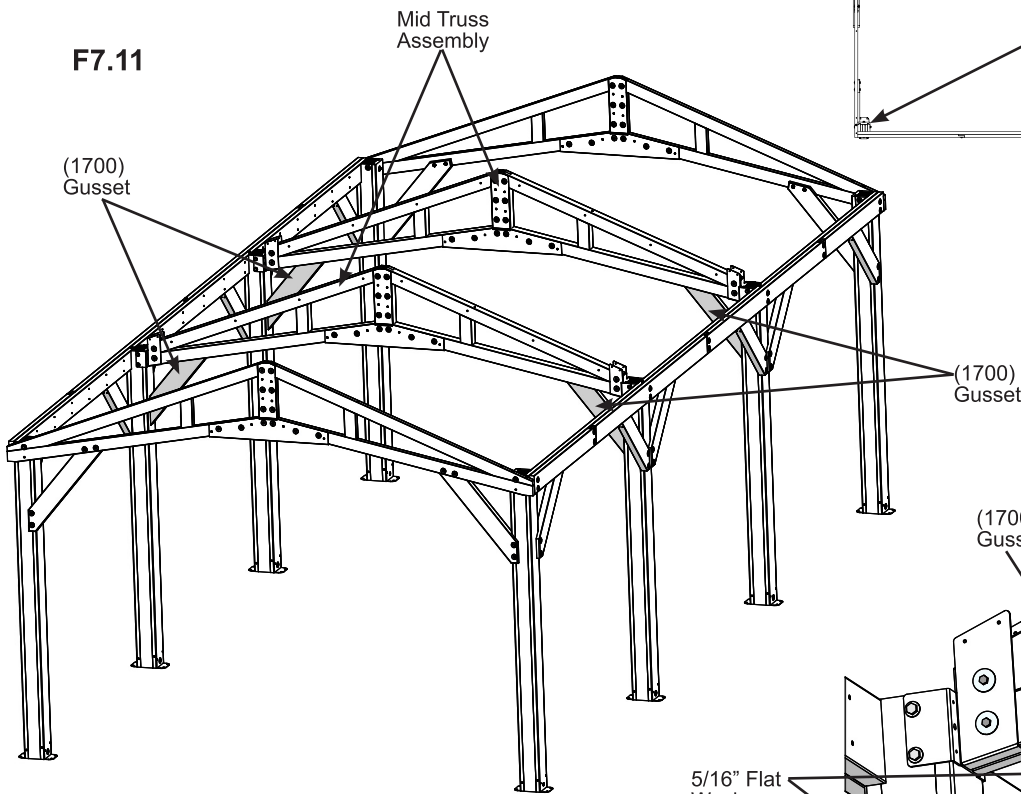
**H:** Depending on what you are placing the Pavilion on will determine how you anchor it to that surface. Please refer to pages 6 and 7 for installation examples.

**Any hardware or extra materials for mounting will have to be purchased in advance.**

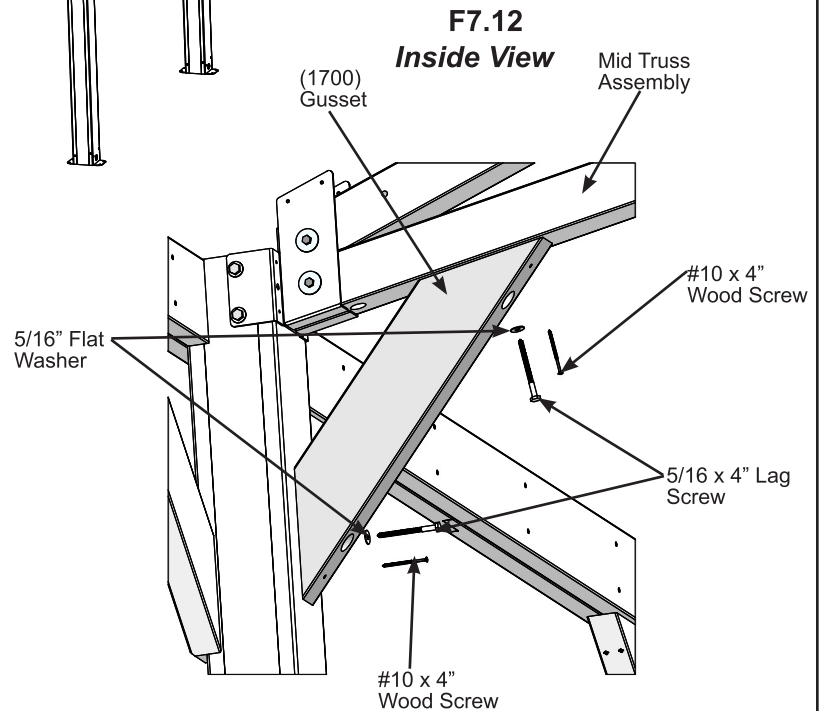
**F7.10**



**F7.11**



**F7.12  
Inside View**



**Wood Parts**

4 x (1700) Gusset

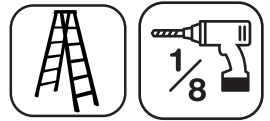
**Hardware**

8 x #10 x 4" Wood Screw

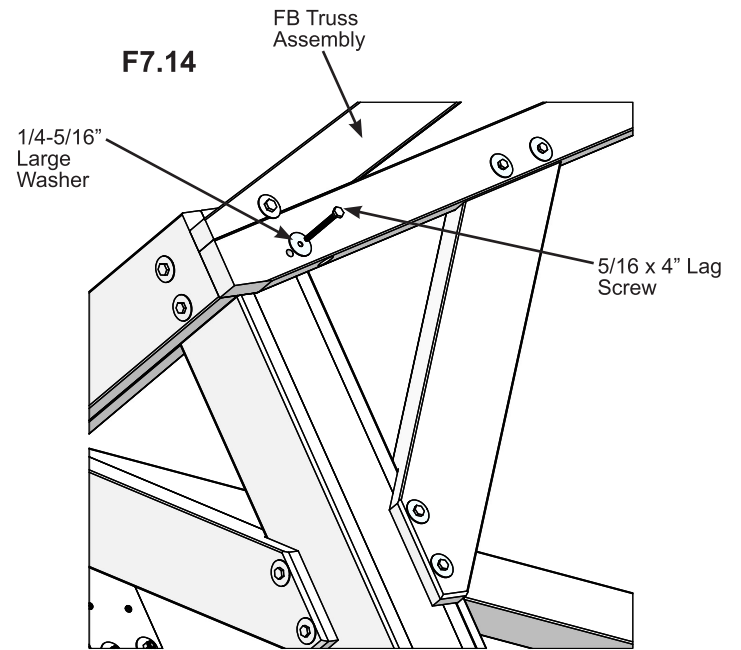
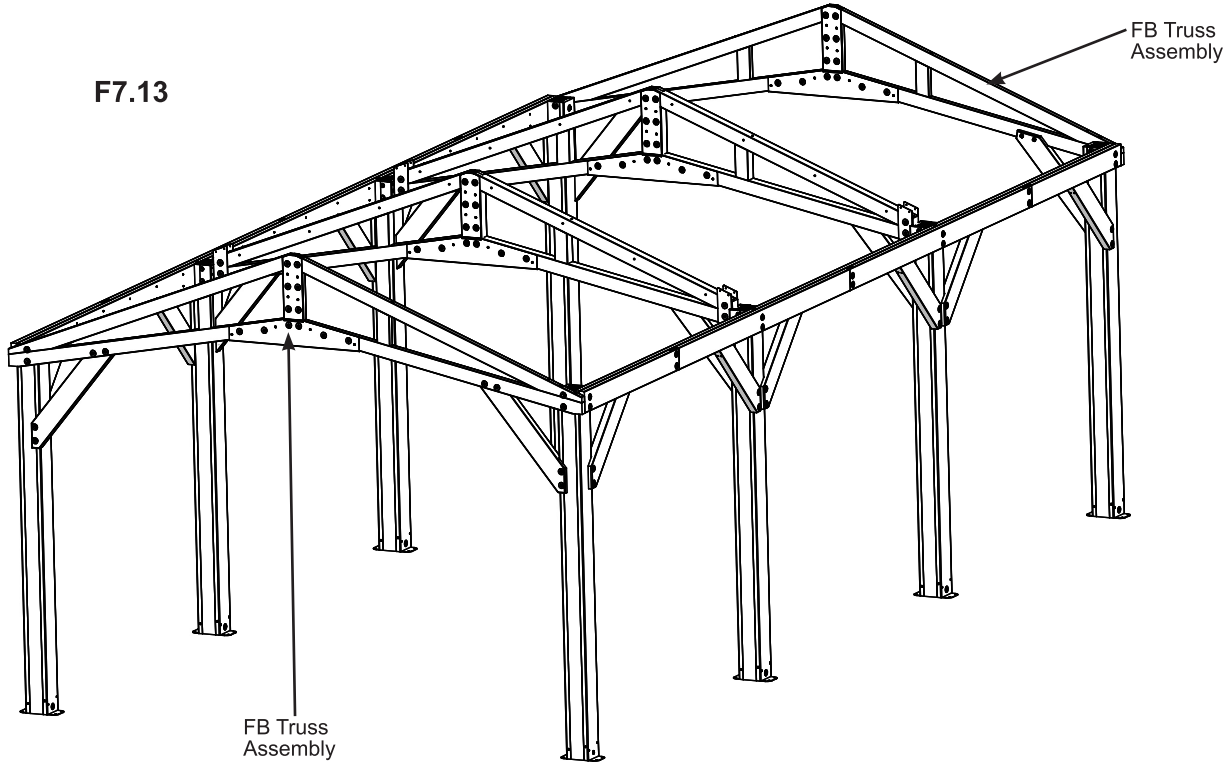
8 x 5/16 x 4" Lag Screw  
(5/16" flat washer)

# Step 7: Frame Assembly

## Part 6



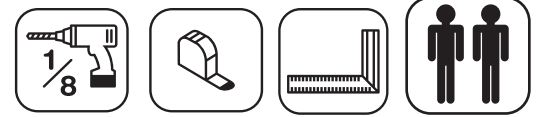
I: In the bottom holes of the FB Truss Assemblies pre drill using 1/8" drill bit and install four 5/16 x 4" Lag Screws (with 1/4-5/16" large washer). (F7.13 and F7.14)



### Hardware

4 x 5/16 x 4" Lag Screw  
(1/4-5/16" large washer)

# Step 8: Left Roof Frame Assembly



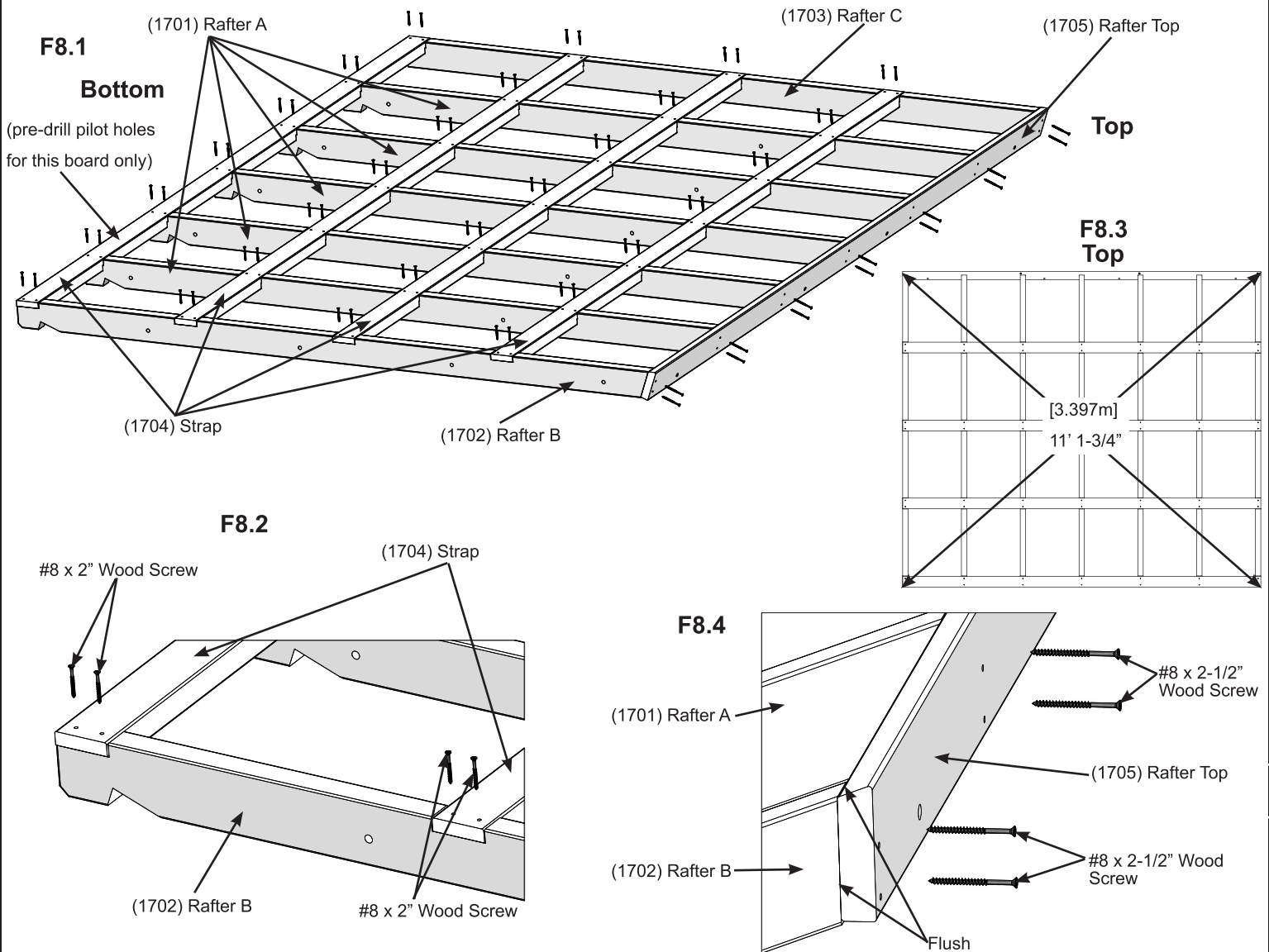
**A:** On a hard flat surface lay out one (1702) Rafter B, five (1701) Rafter A's and one (1703) Rafter C as shown in F8.1.

**B:** Place four (1704) Straps in the grooves of the rafters. Flush to the ends and outside edges, pre-drill with a 1/8" drill bit and attach the bottom (1704) Strap to Rafters using 14 #8 x 2" Wood Screws. (F8.1 and F8.2)

**C:** Place (1705) Rafter Top with angle side up, tight to the top and flush to the outside of the Rafters. Attach (1705) Rafter Top using 14 #8 x 2-1/2" Wood Screws. (F8.1 and F8.4)

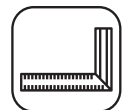
**D:** Make sure frame is square then attach the remaining three (1704) Straps to Rafters using 42 #8 x 2" Wood Screws. (F8.1, F8.2 and F8.3)

**E:** Repeat Steps A to D to make a second Left Roof Frame Assembly.

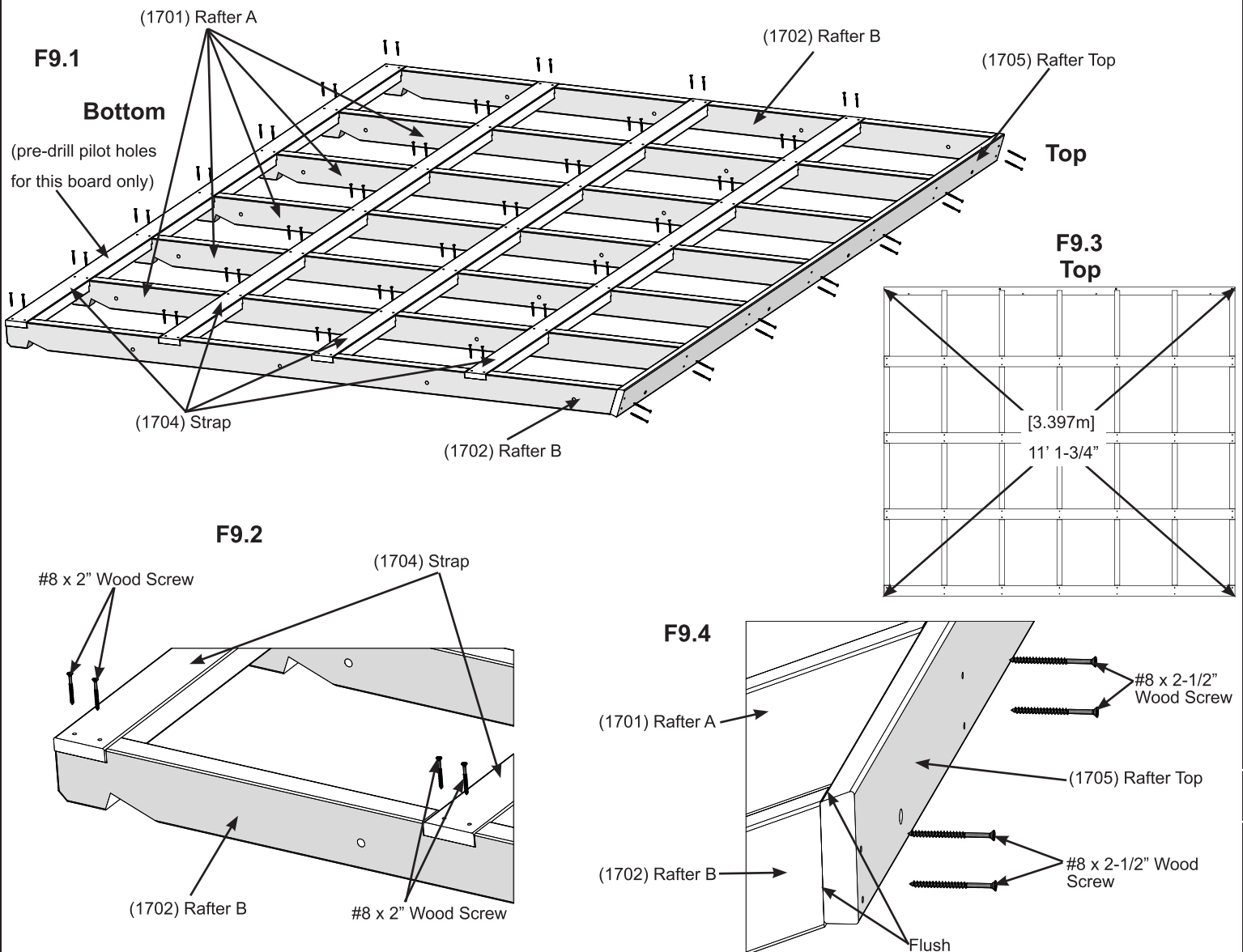


Wood Parts		Hardware
10 x (1701) Rafter A	2 x (1705) Rafter Top	112 x #8 x 2" Wood Screw
2 x (1702) Rafter B		28 x #8 x 2-1/2" Wood Screw
2 x (1703) Rafter C		
8 x (1704) Strap		

# Step 9: Middle Roof Frame Assembly



- A:** On a hard flat surface lay out two (1702) Rafter B's and five (1701) Rafter A's shown in F9.1.
- B:** Place four (1704) Straps in the grooves of the rafters. Flush to the ends and outside edges, pre-drill with a 1/8" drill bit and attach the bottom (1704) Strap to Rafters using 14 #8 x 2" Wood Screws. (F9.1 and F9.2)
- C:** Place (1705) Rafter Top with angle side up, tight to the top and flush to the outside of the Rafters. Attach (1705) Rafter Top using 14 #8 x 2-1/2" Wood Screws. (F9.1 and F9.4)
- D:** Make sure frame is square then attach the remaining three (1704) Straps to Rafters using 42 #8 x 2" Wood Screws. (F9.1, F9.2 and F9.3)
- E:** Repeat Steps A to D to make a second Middle Roof Frame Assembly.



### Wood Parts

- 10 x (1701) Rafter A
- 4 x (1702) Rafter B
- 8 x (1704) Strap
- 2 x (1705) Rafter Top

### Hardware

- 112 x #8 x 2" Wood Screw
- 28 x #8 x 2-1/2" Wood Screw



# Step 10: Right Roof Frame Assembly



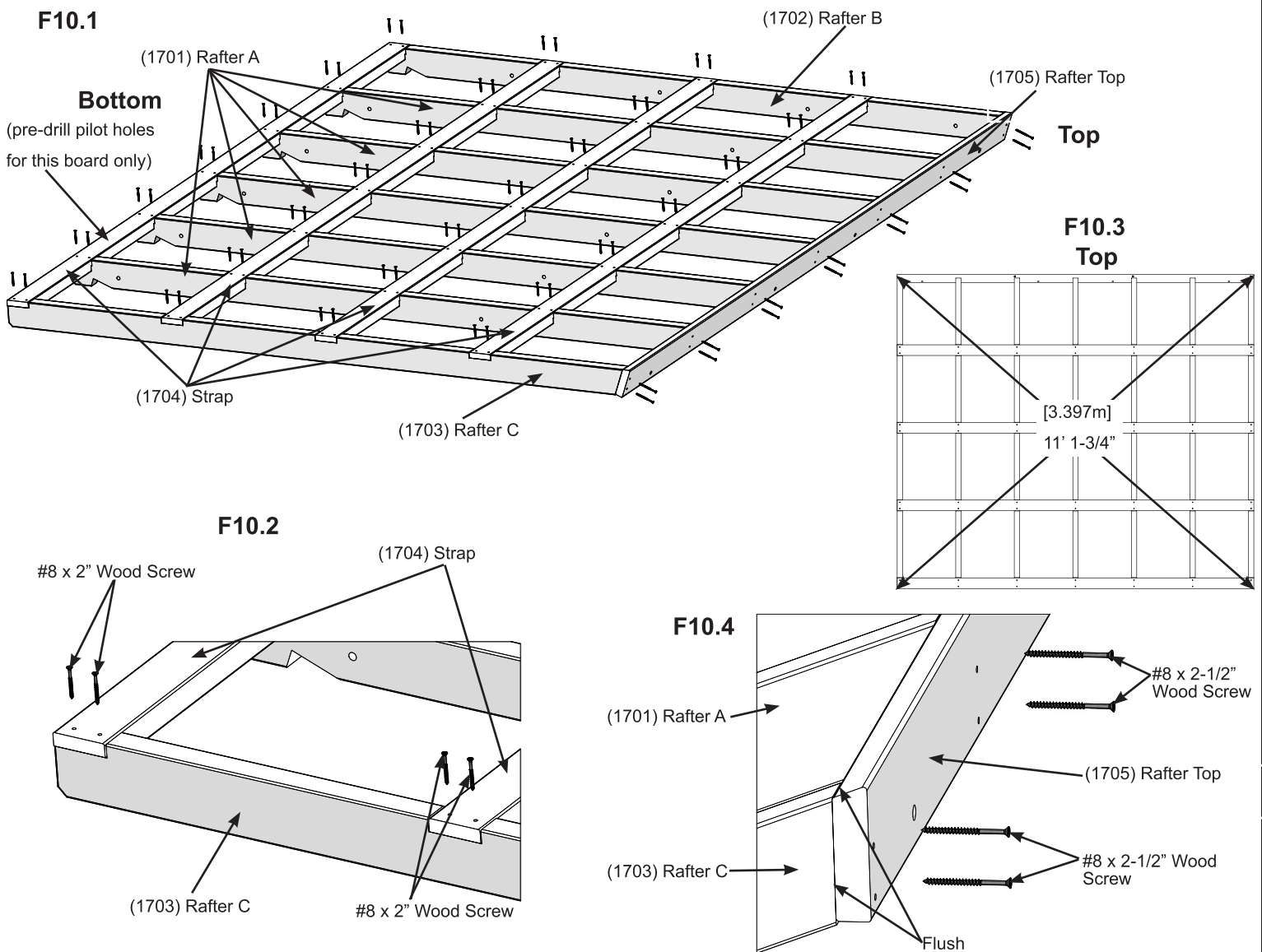
**A:** On a hard flat surface lay out one (1702) Rafter B, five (1701) Rafter A's and one (1703) Rafter C as shown in F10.1.

**B:** Place four (1704) Straps in the grooves of the rafters. Flush to the ends and outside edges, pre-drill with a 1/8" drill bit and attach the bottom (1704) Strap to Rafters using 14 #8 x 2" Wood Screws. (F10.1 and F10.2)

**C:** Place (1705) Rafter Top with angle side up, tight to the top and flush to the outside of the Rafters. Attach (1705) Rafter Top using 14 #8 x 2-1/2" Wood Screws. (F10.1 and F10.4)

**D:** Make sure frame is square then attach the remaining three (1704) Straps to Rafters using 42 #8 x 2" Wood Screws. (F10.1, F10.2 and F10.3)

**E:** Repeat Steps A to D to make a second Right Roof Frame Assembly.



### Wood Parts

- 10 x (1701) Rafter A
- 2 x (1702) Rafter B
- 2 x (1703) Rafter C
- 8 x (1704) Strap
- 2 x (1705) Rafter Top

### Hardware

- 112 x #8 x 2" Wood Screw
- 28 x #8 x 2-1/2" Wood Screw

# Step 11: Ridge Assemblies

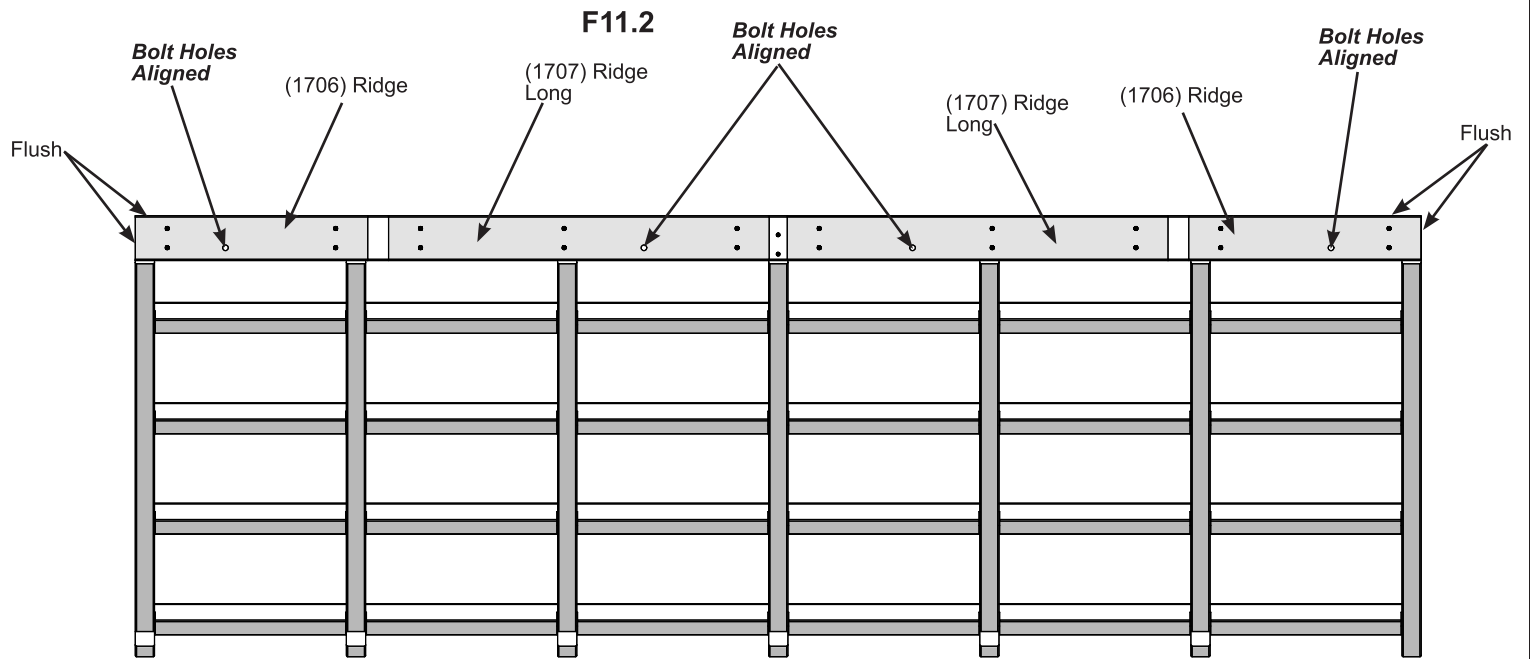
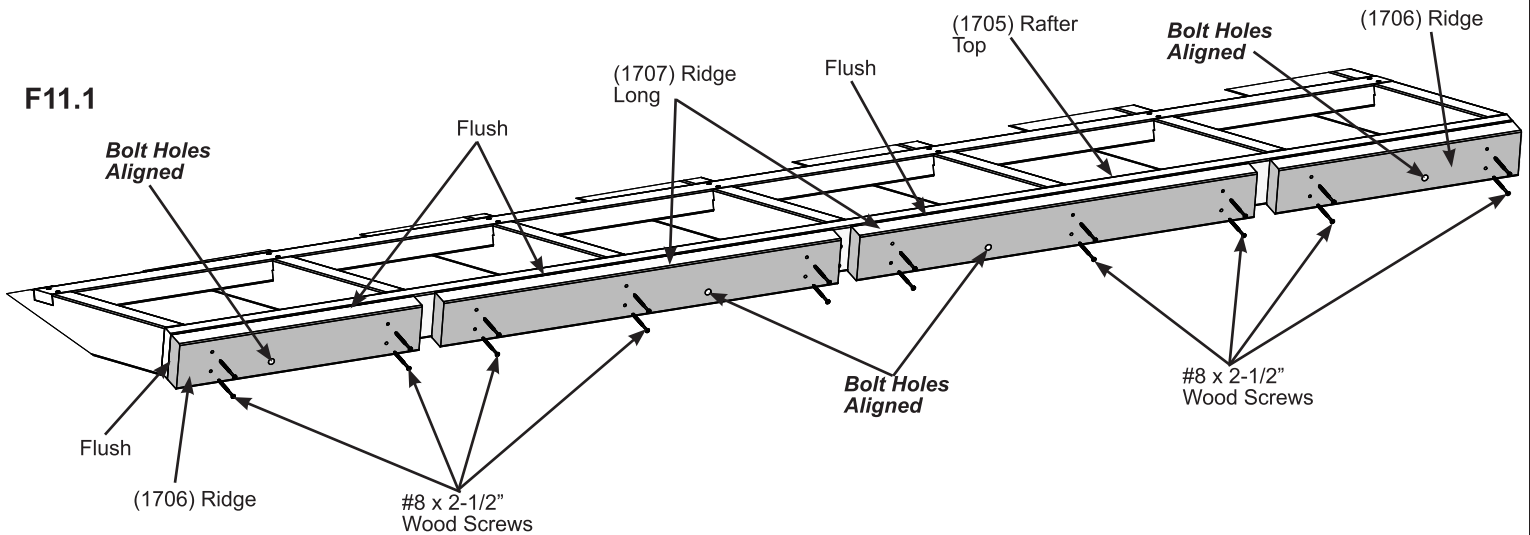


**A:** On one Left Roof Frame Assembly, one Middle Roof Frame Assembly and one Right Roof Frame Assembly install two (1706) Ridges and two (1707) Ridge Longs.

**B:** On the ends of (1705) Rafter Top flush to the top and outside edge with bolt holes aligned install two (1706) Ridges using four #8 x 2-1/2" Wood Screws per Ridge. **Make sure bolt holes are aligned.** (F11.1 and F11.2)

**C:** In the center of (1705) Rafter Top flush to the top edge with bolt holes aligned install two (1707) Ridge Longs using six #8 x 2-1/2" Wood Screws per Ridge Long. **Make sure bolt holes are aligned.** (F11.1 and F11.2)

**NOTE:** Roof Panels with Ridge and Ridge Longs will now be referred to as Roof Panels with Blocks.



**Wood Parts**

- 6 x (1706) Ridge
- 6 x (1707) Ridge Long

**Hardware**

- 60 x #8 x 2-1/2" Wood Screw



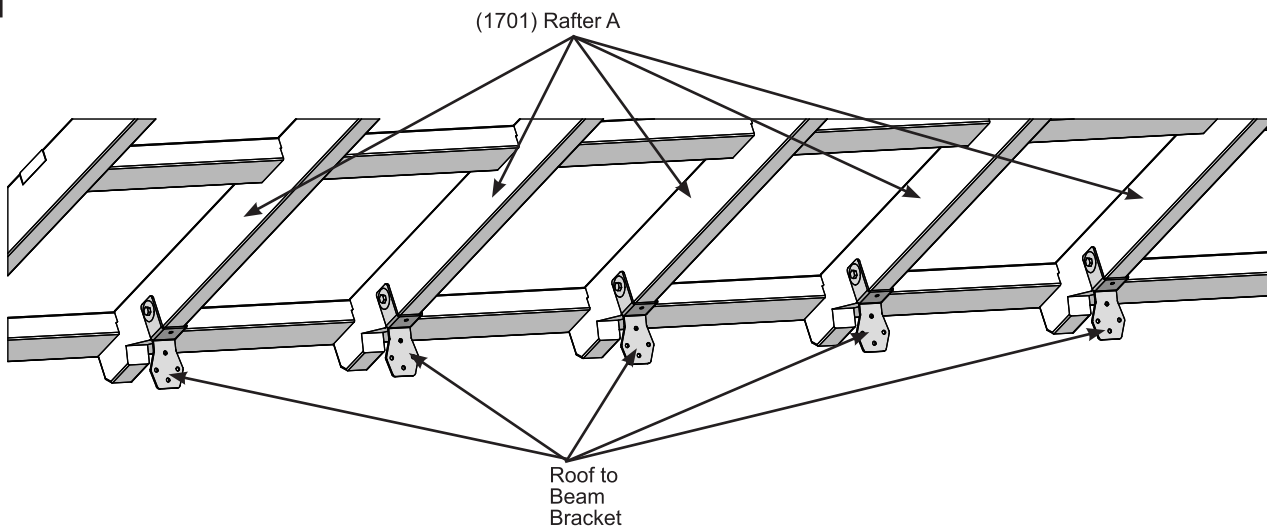
# Step 12: Beam Bracket Assemblies



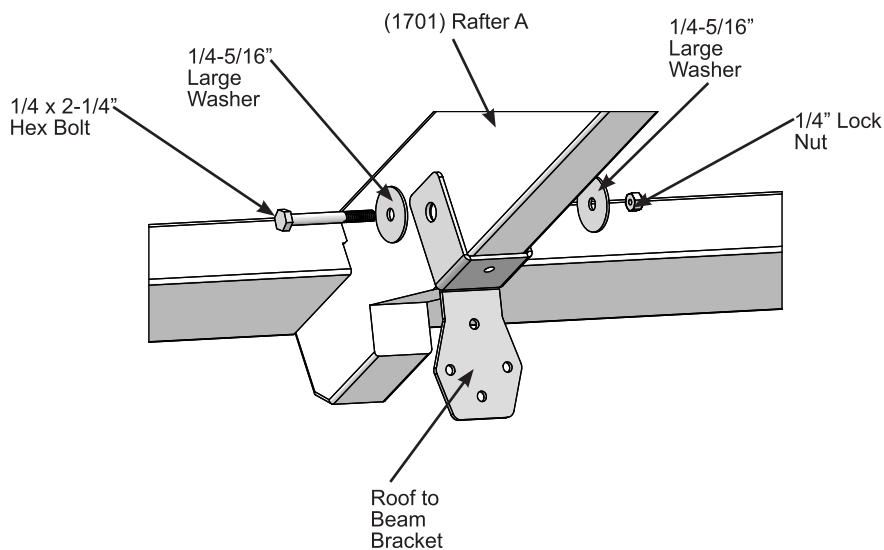
**A:** Install Roof to Beam Brackets on both Left Roof Frame Assemblies, both Middle Roof Frame Assemblies and Right Roof Frame Assembly **without** Ridge Blocks.

**B:** Loosely attach Roof to Beam Brackets on (1701) Rafter A's using one 1/4 x 2-1/4" Hex Bolt (with two 1/4-5/16" large washers and one 1/4" lock nut) per bracket. (F12.1 and F12.2)

**F12.1**



**F12.2**

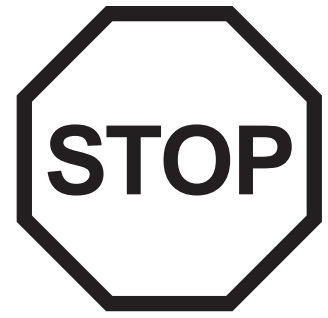
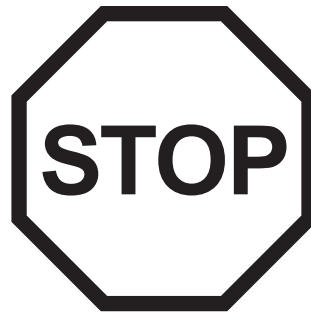
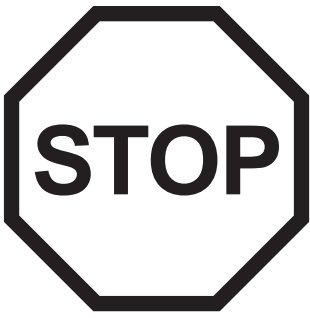


### Components

25 x Roof to Beam Bracket

### Hardware

25 x 1/4 x 2-1/4" Hex Bolt  
(1/4-5/16" large washer x 2, 1/4" lock nut)



# INSTALLING ROOFING MATERIAL

---

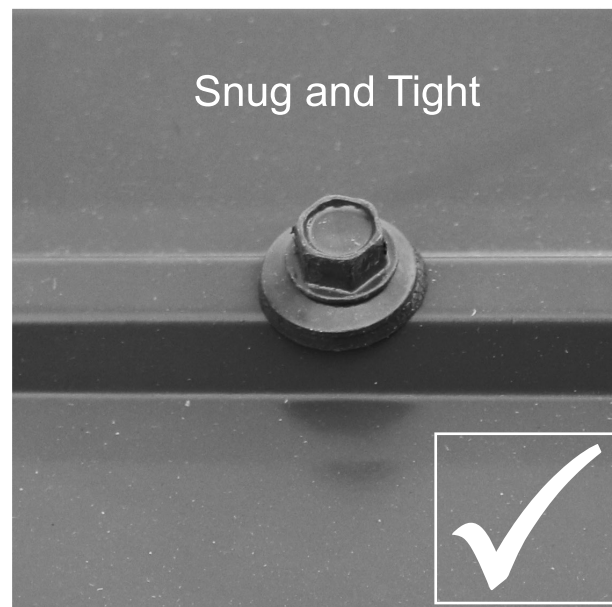
## CAUTION!

Roofing material may have sharp edges! Wear gloves!

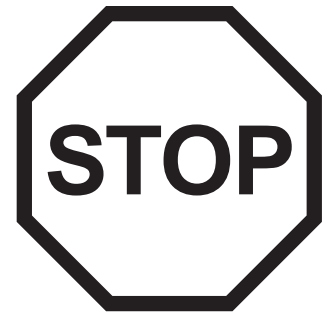
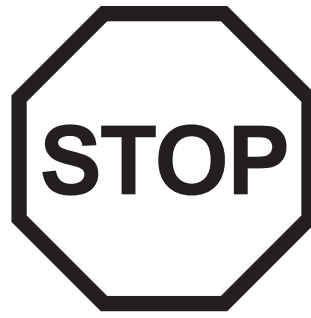
## HANDLE WITH CARE!

Place roofing material on a non-abrasive surface before assembly as it can bend, dent and scratch easily.

**WARNING – DO NOT OVER TIGHTEN ROOFING SCREWS!  
Over tightening screws will cause roofing material to crush.**



The roofing screws can easily crush the Roof Panels and Roof Edges when using a power drill. We recommend hand tightening the roofing screws so that they sit snug and tight to the roofing material.



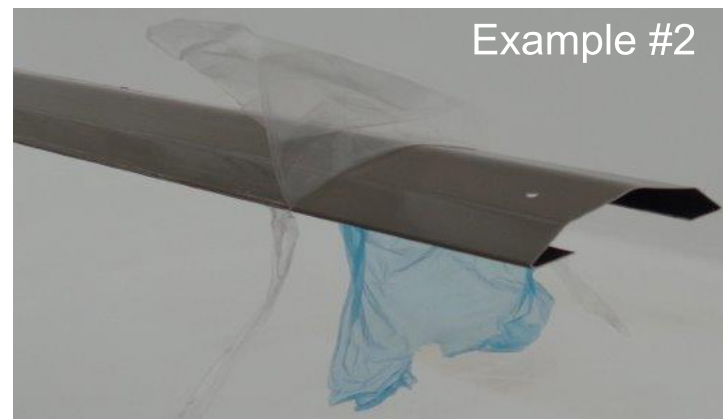
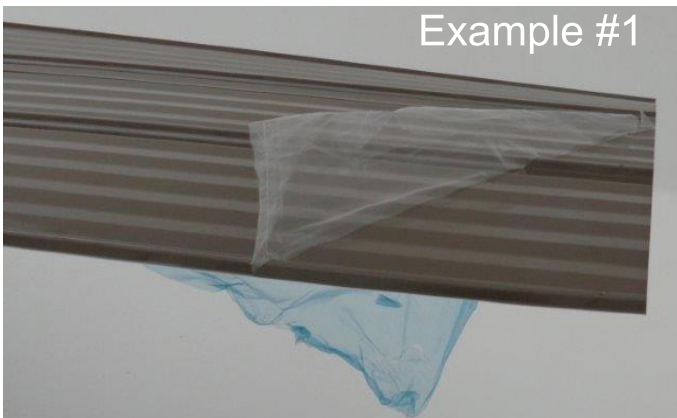
# INSTALLING ROOFING MATERIAL

---

## CAUTION!

Roofing material may have sharp edges! Wear gloves!

**BE SURE TO REMOVE ALL PLASTIC COVERING, ON BOTH SIDES OF THE ALUMINUM PANELS AND TRIM, DIRECTLY BEFORE INSTALLING EACH PIECE. *(One side is clear and the other is blue, both must be removed.)***



# Step 13: Roof Panel Assembly Part 1

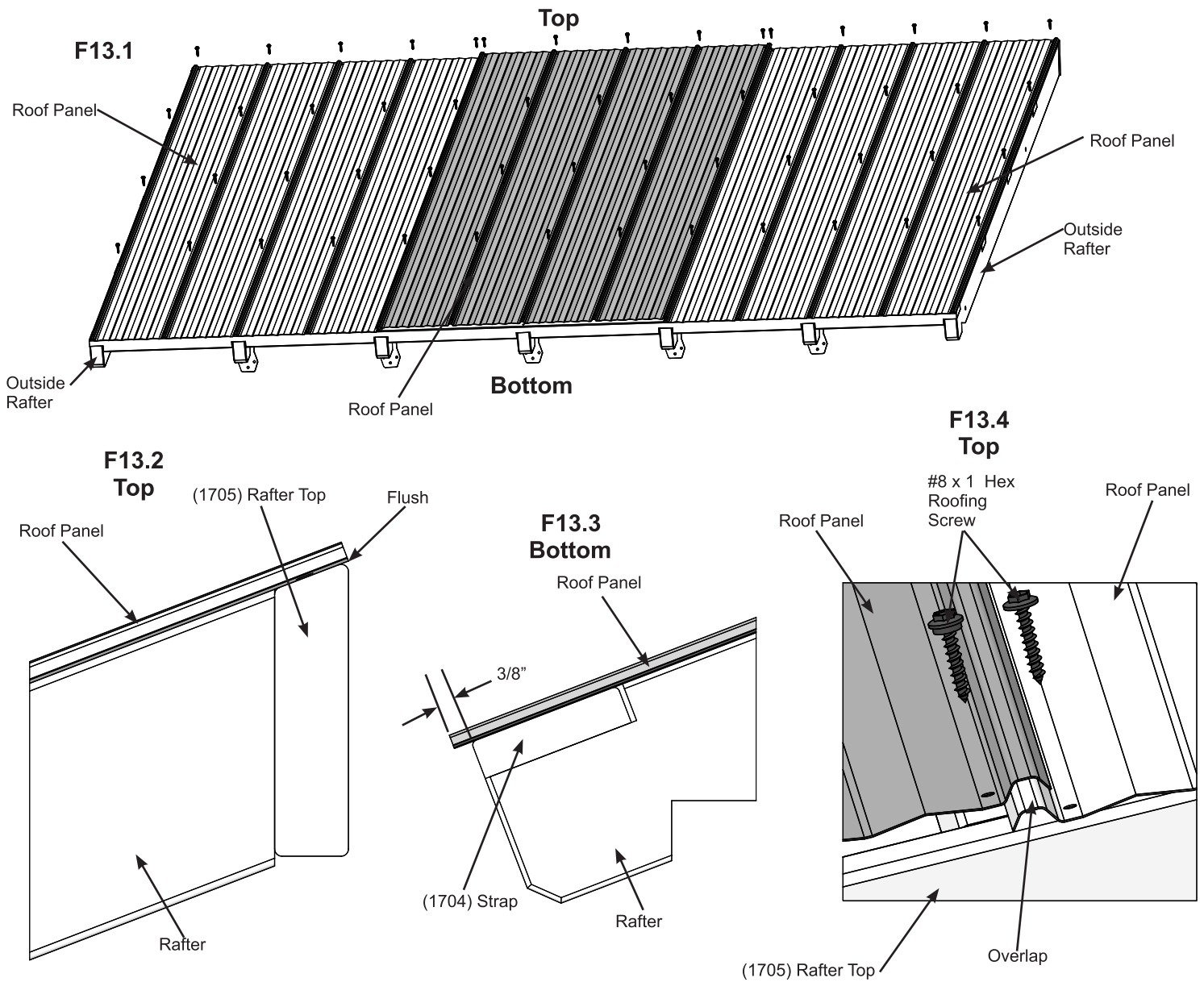


**A:** Make sure panel assembly is still square then on one Roof Panel Frame place one Roof Panel flush to the top of (1705) Rafter Top and side of the outside Rafter. There will be approximately a 3/8" overhang at the bottom. There are no holes on the ribs at the top of the panel. (F13.1, F13.2, F13.3 and F13.4)

**B:** Place two more Roof Panels beside the first Roof Panel so the panels overlap and screw holes line up as shown below. (F13.1 and 13.4)

**C:** Attach all three Roof Panels to Roof Panel Frame using 54 #8 x 1" Hex Roofing Screws in locations shown in F13.1. Do not install screws along the bottom row. Be sure not to overtighten screws.

**D:** Repeat Steps A - C for the remaining five Roof Panel Frames.



### Roof Parts

18 x Roof Panel

### Hardware

324 x #8 x 1" Hex Roofing Screw

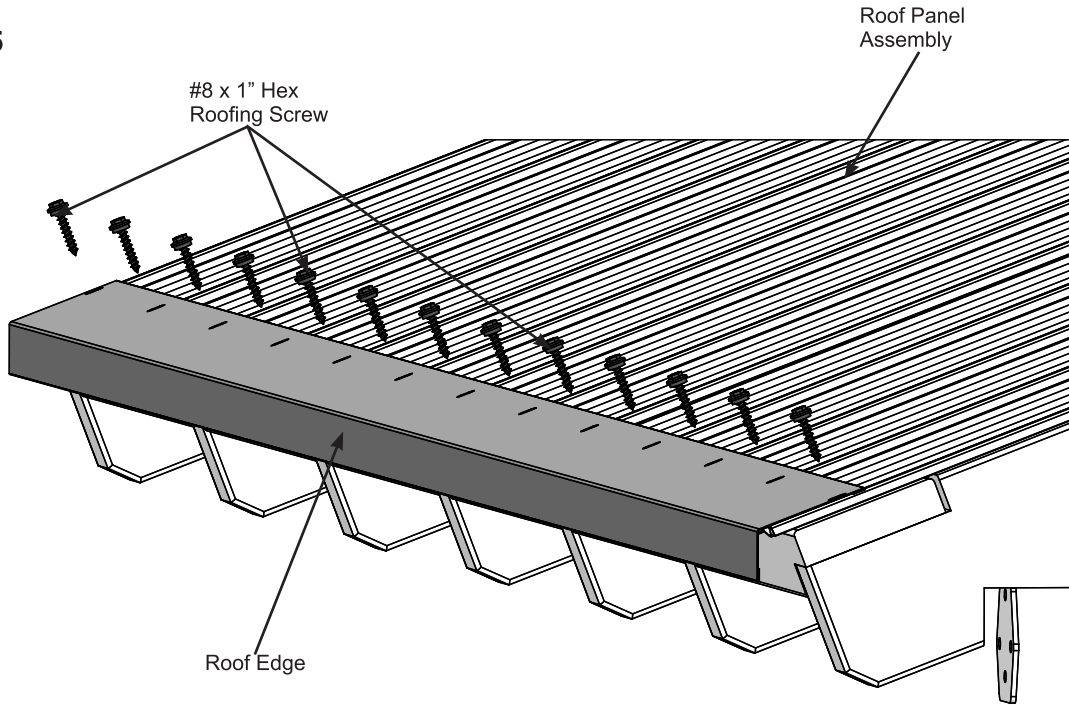
# Step 13: Roof Panel Assembly Part 2



**E:** Place one Roof Edge on the bottom of Roof Panel Assembly so the holes are aligned. Pre-drill the two end holes with a 1/8" drill bit then attach with 13 #8 x 1" Hex Roofing Screws. (F13.5)

**F:** Repeat Step E for the remaining Roof Panel Assemblies

**F13.5**



## Roof Parts

6 x Roof Edge

## Hardware

78 x #8 x 1" Hex Roofing Screw





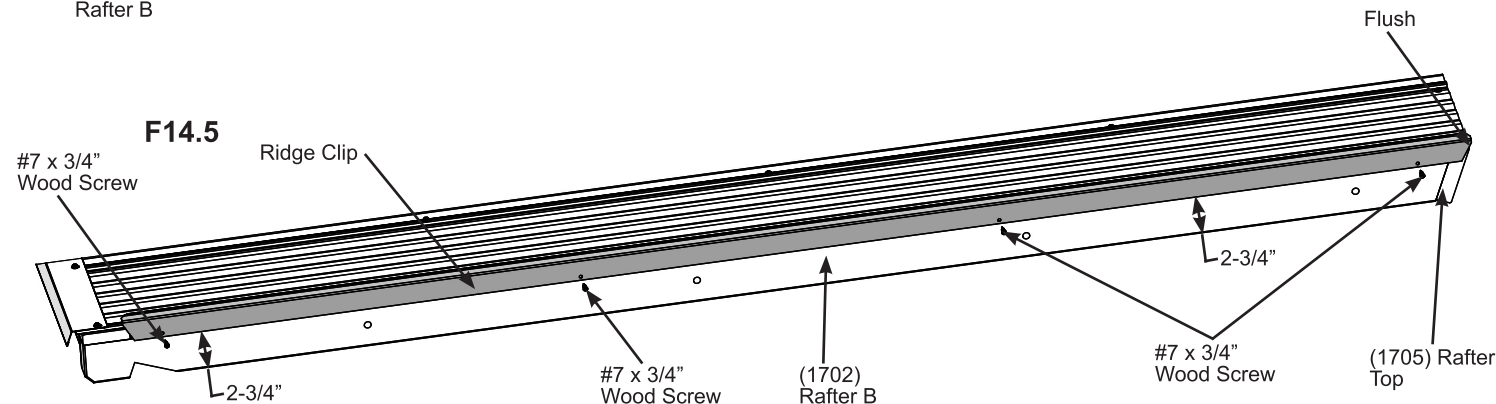
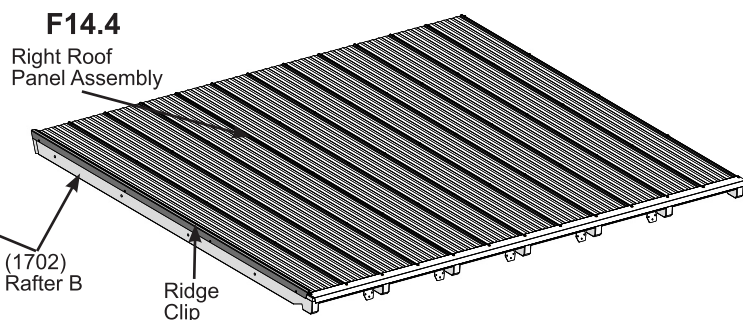
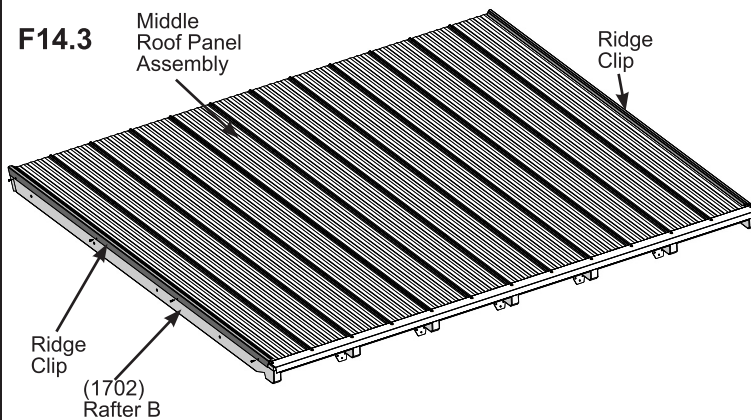
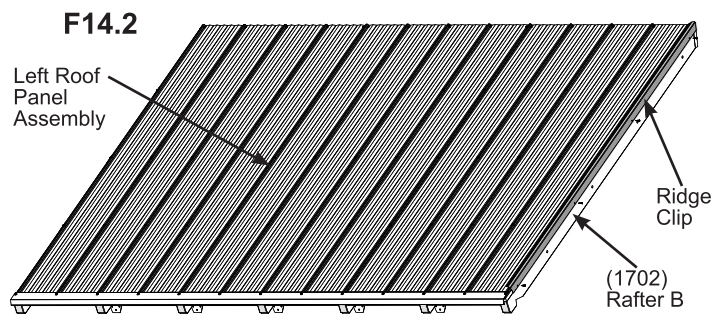
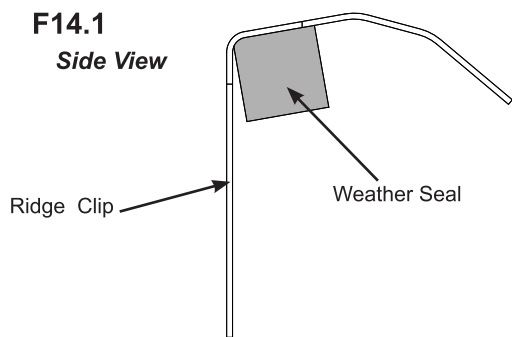
# Step 14: Ridge Clip Assembly

**A:** Place one Weather Seal on the inside of each Ridge Clip. (F14.1)

**B:** On the right side of the Left Roof Panel Assembly place one Ridge Clip flush to the edge of (1705) Rafter Top and 2-3/4" up from the bottom of the (1702) Rafter B. Install Ridge Clip with four #7 x 3/4" Wood Screws. (F14.2 and F14.5)

**C:** On both sides of the Middle Roof Panel Assembly place one Ridge Clip flush to the edge of (1705) Rafter Top and 2-3/4" up from the bottom of the (1702) Rafter B. Install Ridge Clip with four #7 x 3/4" Wood Screws per Ridge Clip. (F14.3 and F14.5)

**D:** On the left side of the Right Roof Panel Assembly place one Ridge Clip flush to the edge of (1705) Rafter Top and 2-3/4" up from the bottom of the (1702) Rafter B. Install Ridge Clip with four #7 x 3/4" Wood Screws. (F14.4 and F14.5)



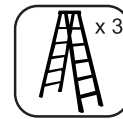
### Roof Parts

- 8 x Ridge Clip
- 8 x Weather Seal

### Hardware

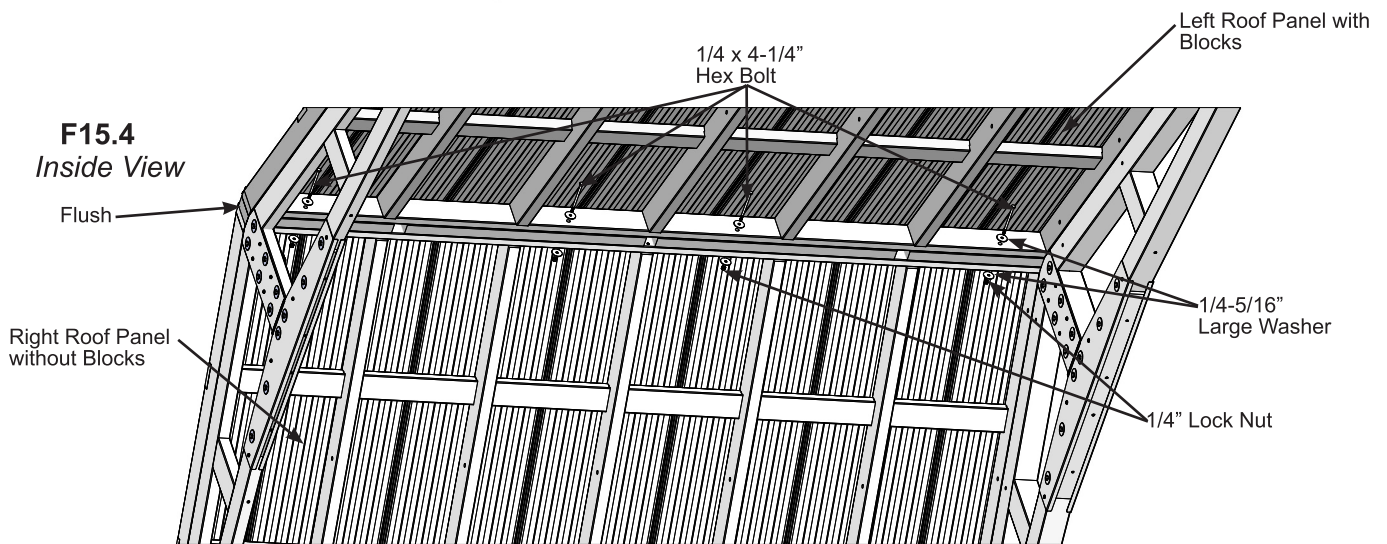
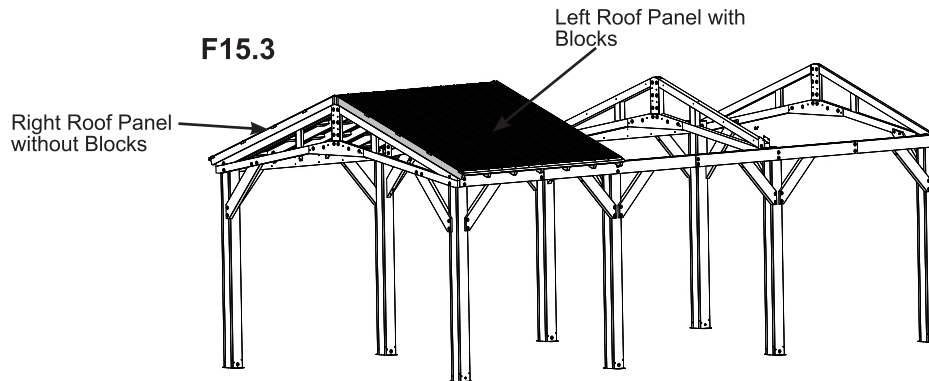
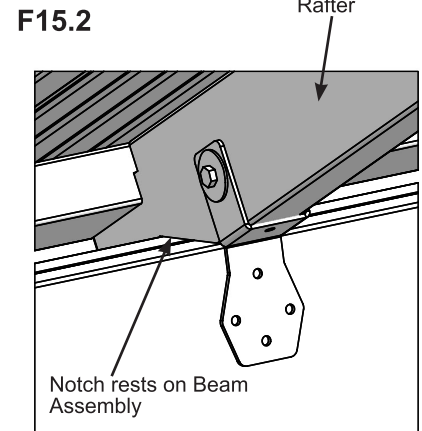
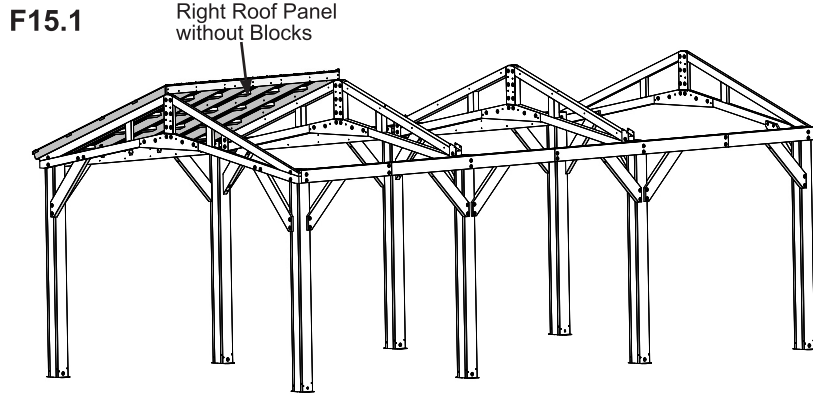
- 32 x #7 x 3/4" Wood Screw

# Step 15: Attach Roof Panels to Frame Part 1



**A:** With four assemblers lift Right Roof Panel without Blocks up over Beam Frame Assembly so the notches in Rafters rest on Beam Assembly and the Roof Panel is resting on the FB Truss Assembly and Mid Truss Assembly. (F15.1 and F15.2)

**B:** Lift the Left Roof Panel with Block so the notches in Rafters rest on the Beam Assembly and the ends are flush to the Right Roof Panel. Bolt Roof Panels together with four 1/4 x 4-1/4" Hex Bolts (with two 1/4-5/16" large washers and one 1/4" Lock Nut). Tighten all bolts. (F15.2, F15.3 and F15.4)



## Hardware

4 x 1/4 x 4-1/4" Hex Bolt  
(1/4-5/16" large washer x 2, 1/4" lock nut)

# Step 15: Attach Roof Panels to Frame Part 2

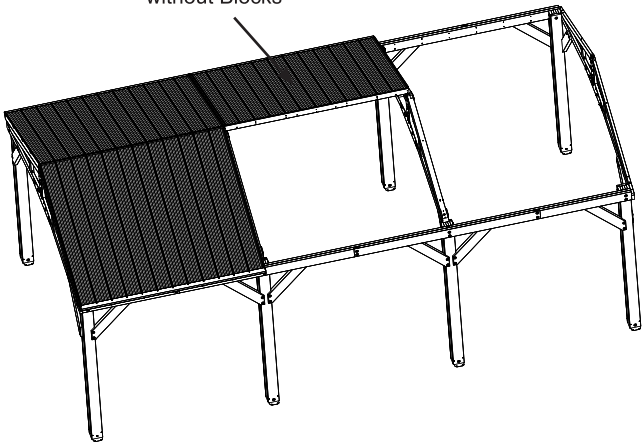


**C:** Lift Middle Roof Panel without Blocks up over Beam Frame Assembly so the notches in Rafters rest on Beam Assembly and the Roof Panel is resting on the Mid Truss Assemblies. (F15.5)

**D:** Lift the Middle Roof Panel with Blocks so the notches in Rafters rest on the Beam Assembly. Bolt Roof Panels together with four 1/4 x 4-1/4" Hex Bolts (with two 1/4-5/16" large washers and one 1/4" Lock Nut). Tighten all bolts. (F15.6 and F15.7)

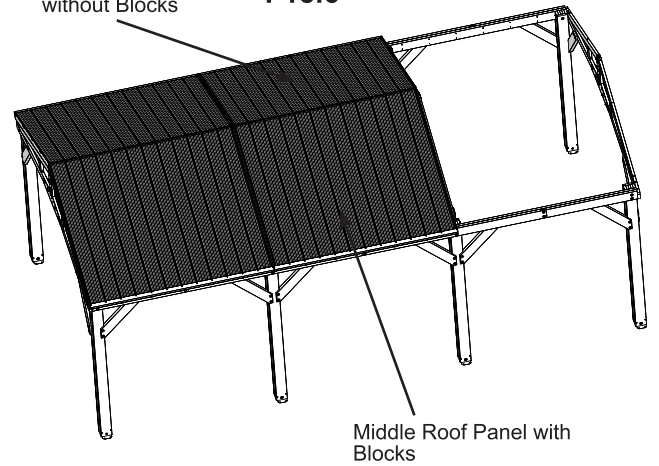
**F15.5**

Middle Roof Panel without Blocks



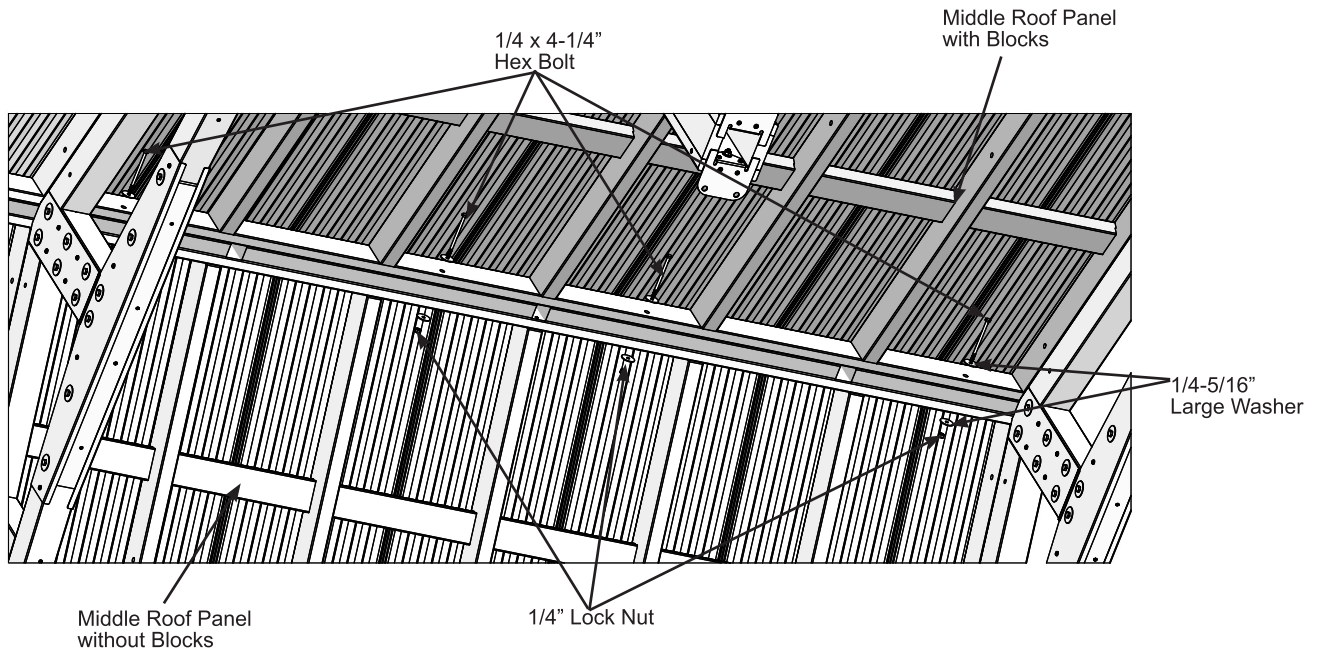
Middle Roof Panel without Blocks

**F15.6**



Middle Roof Panel with Blocks

**F15.7**

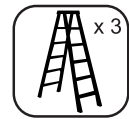


## Hardware

4 x 1/4 x 4-1/4" Hex Bolt  
(1/4-5/16" large washer x 2, 1/4" lock nut)



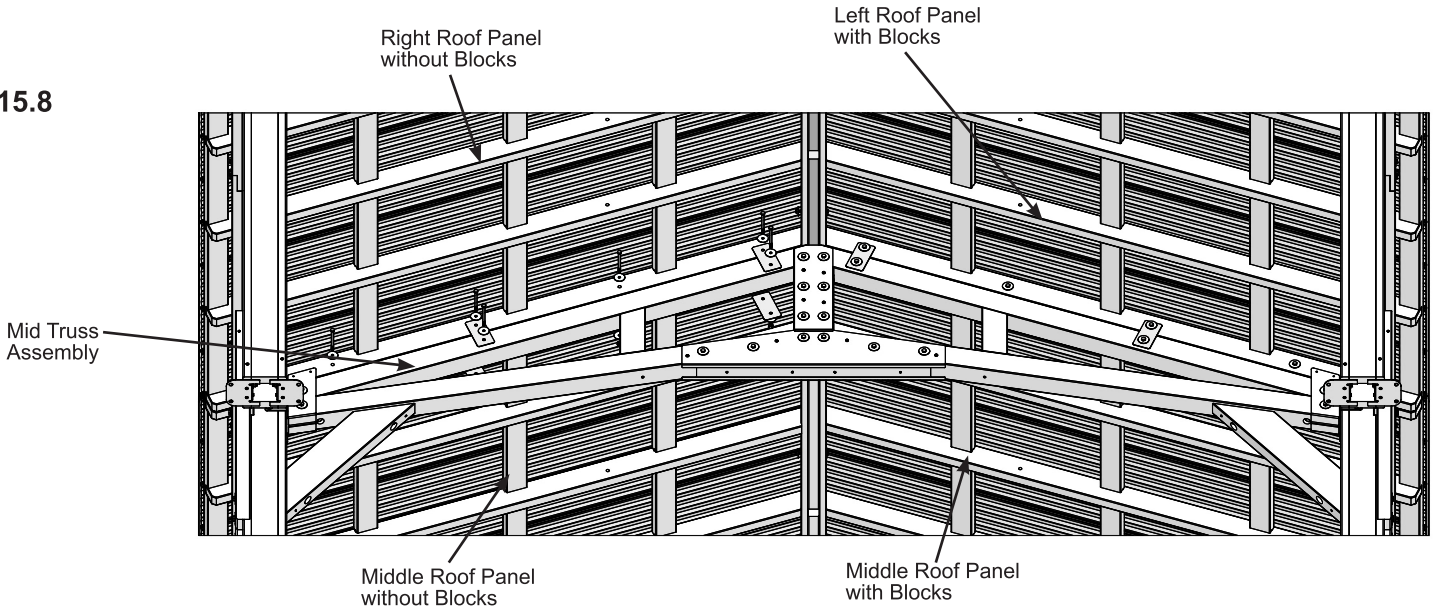
# Step 15: Attach Roof Panels to Frame Part 3



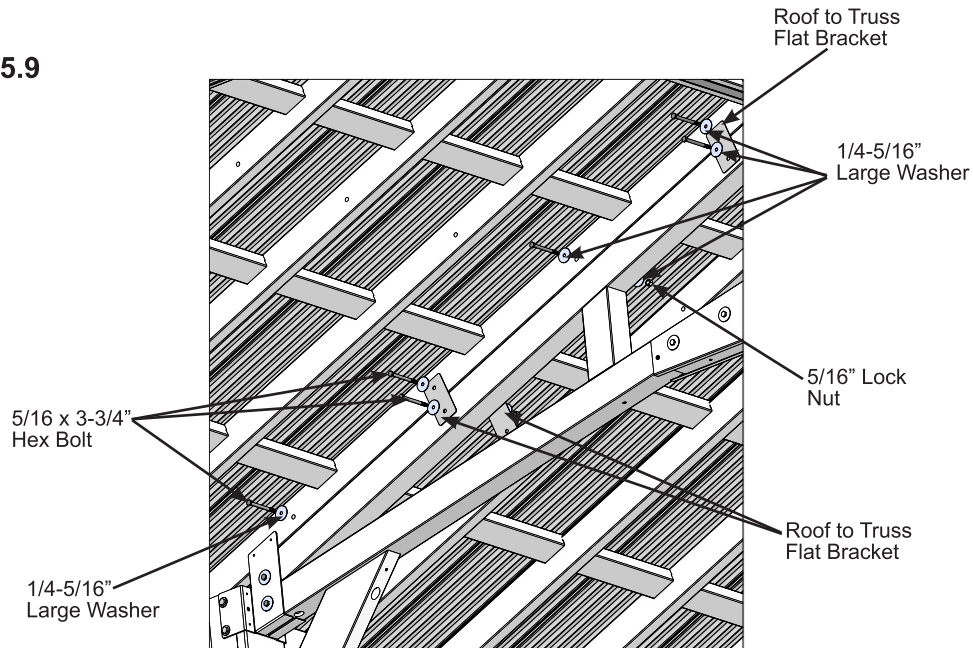
**E:** Connect Roof Panel Assemblies through the (1702) Rafter B's in the first and third holes with four 5/16 x 3-3/4" Hex Bolts (with two 1/4-5/16" large washers and one 5/16" lock nut). To align bolt holes, helper in the centre may have to push up the centre of the panels. (F15.8 and 15.9)

**F:** Connect Roof Panel Assemblies to Mid Truss Assembly through the (1702) Rafter B's in the second and fourth holes with eight Roof to Truss Flat Brackets and eight 5/16 x 3-3/4" Hex Bolts (with two 1/4-5/16" large washers and one 5/16" lock nut). To align bolt holes, helper in the centre may have to push up the centre of the panels or loosen bolts at Mid Post and push up Truss. Tighten all Bolts. (F15.8 and F15.9)

**F15.8**



**F15.9**



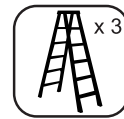
**Components**

8 x Roof to Truss Flat Bracket

**Hardware**

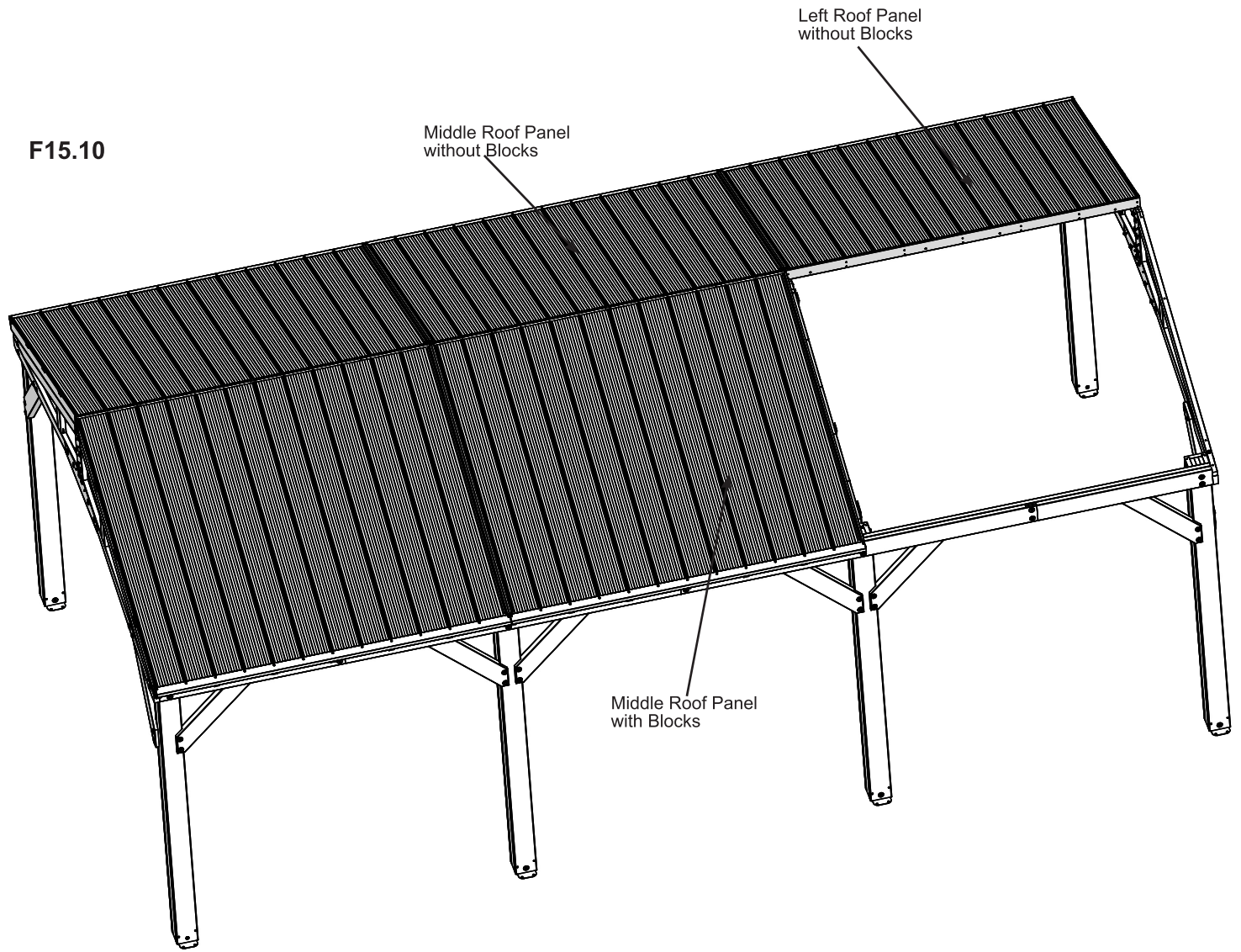
12 x 5/16 x 3-3/4" Hex Bolt  
(1/4-5/16" large washer x 2, 5/16" lock nut)

# Step 15: Attach Roof Panels to Frame Part 4



**G:** Lift Left Roof Panel without Blocks up over Beam Frame Assembly so the notches in Rafters rest on Beam Assembly and the Roof Panel is resting on the Mid Truss Assembly and FB Truss Assembly. (F15.10)

**F15.10**



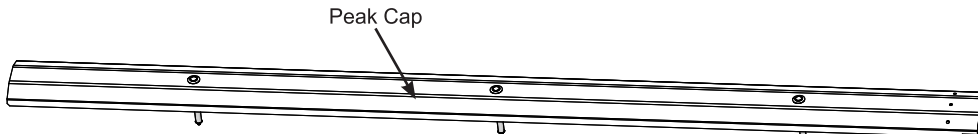
# Step 16: Peak Cap Assembly

**A:** Insert three Carriage Bolts with Contoured Washers through the top of two Peak Caps and one Peak Cap Middle. Place one Peak Post over each Carriage Bolt and secure with Spring Clips. (F16.1, F16.2 and F16.3)

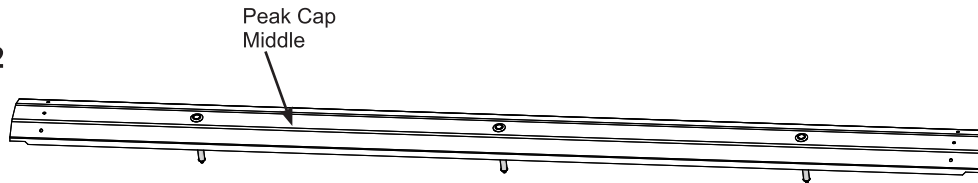
**B:** Slide the end of one Peak Cap and Peak Cap Middle over top of the Peak Cap Link, align holes and attach with six 1/4 x 1/2" Pan Bolts (with 1/4" Lock Nut). (F16.4 and F16.5)

**C:** At the other end of the Peak Cap Middle over a Peak Cap Link, align holes and attach with three 1/4 x 1/2" Pan Bolts (with 1/4" Lock Nut). (F16.4 and F16.6)

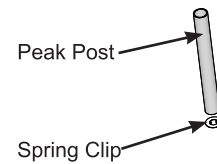
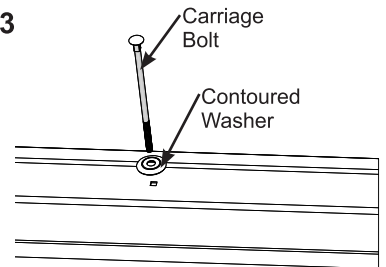
**F16.1**



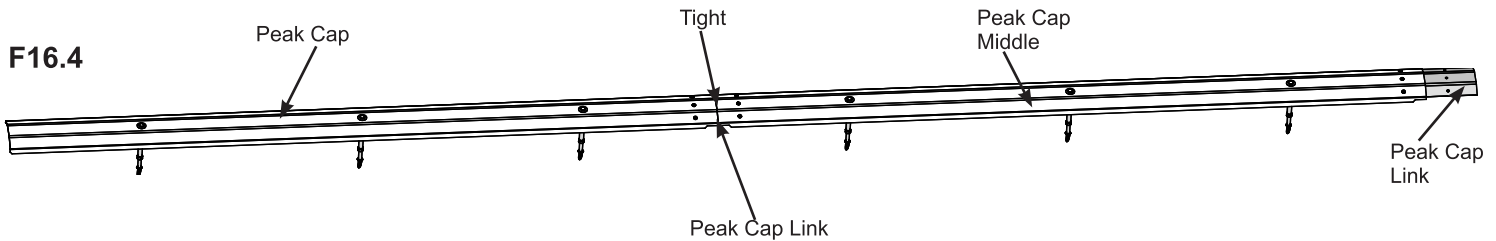
**F16.2**



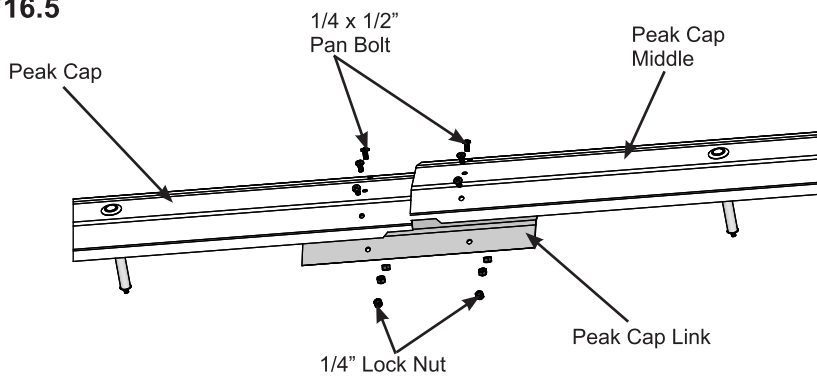
**F16.3**



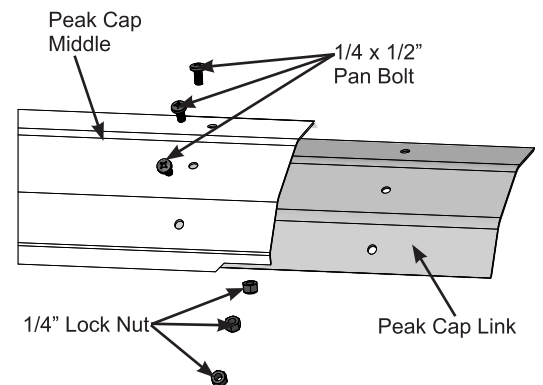
**F16.4**



**F16.5**



**F16.6**



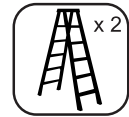
**Components**

- 2 x Peak Cap
- 1 x Peak Cap Middle
- 2 x Peak Cap Link
- 9 x Peak Post

**Hardware**

- 9 x Carriage Bolt (contoured washer, spring clip)
- 9 x 1/4 x 1/2" Pan Bolt (1/4" lock nut)

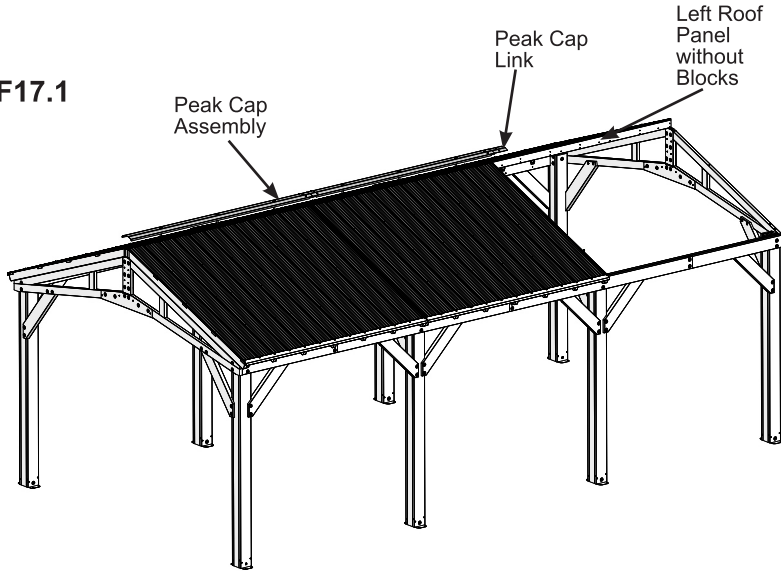
# Step 17: Attach Peak Cap



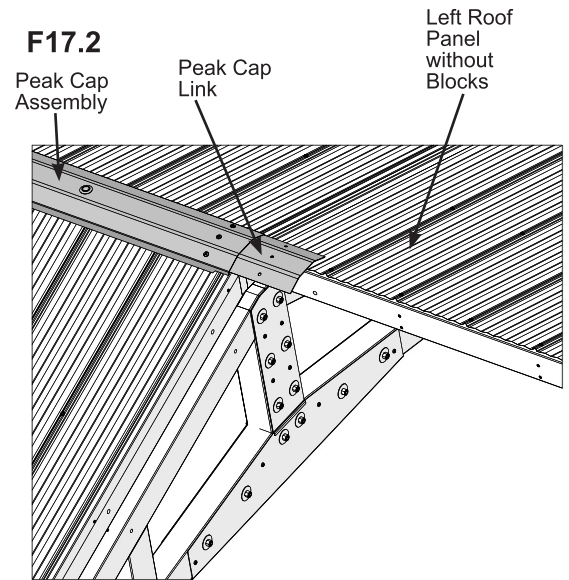
**A:** With one person on each end of the Peak Cap Assembly place Peak Cap Assembly on top of Roof Panel Assembly so Carriage bolts with Peak Posts fit through gaps between the roof assemblies. (F17.1, F17.2 and F17.3)

**B:** Place the remaining Peak Cap on top of Peak Cap Link and connect using three 1/4 x 1/2" Pan Bolts (with 1/4" lock nut). (F17.3 and F17.4)

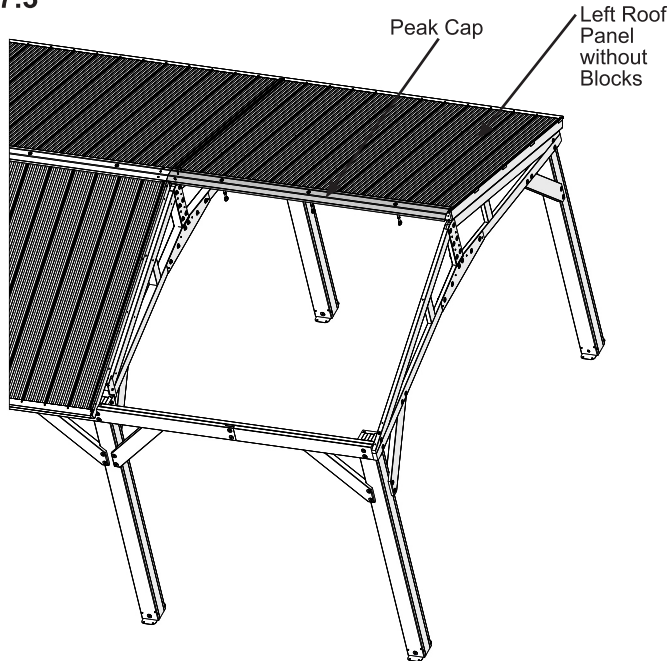
**F17.1**



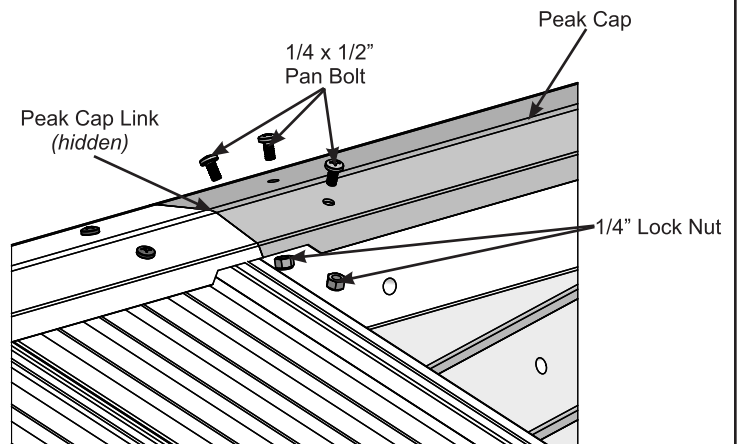
**F17.2**



**F17.3**



**F17.4**



## Hardware

3 x 1/4 x 1/2" Pan Bolt  
(1/4" lock nut)



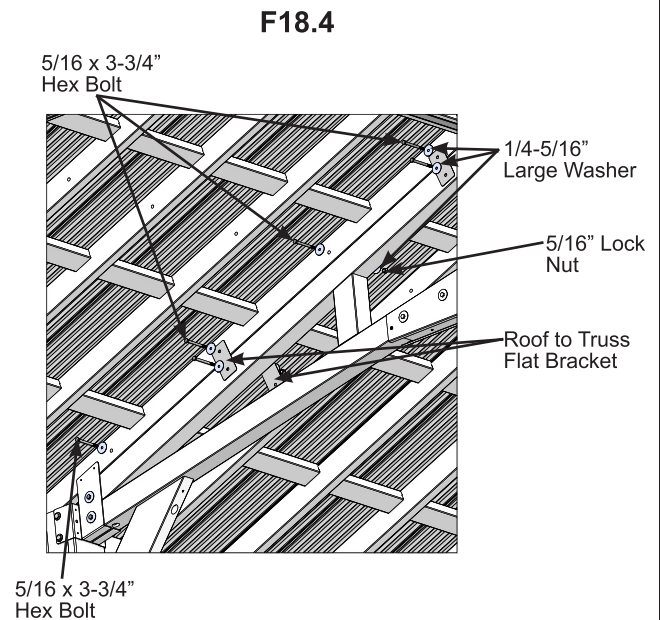
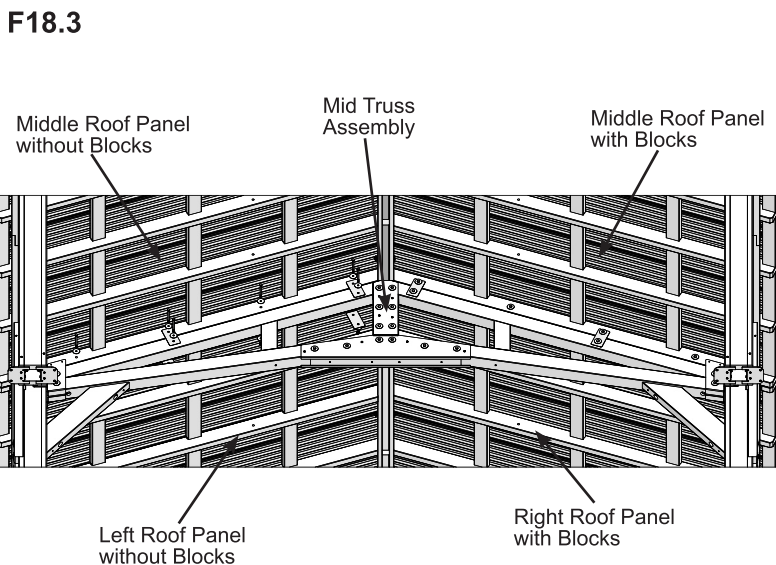
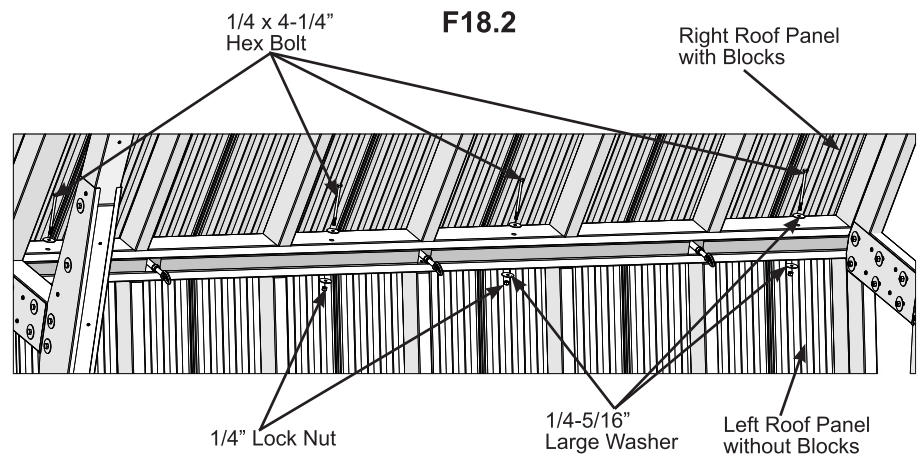
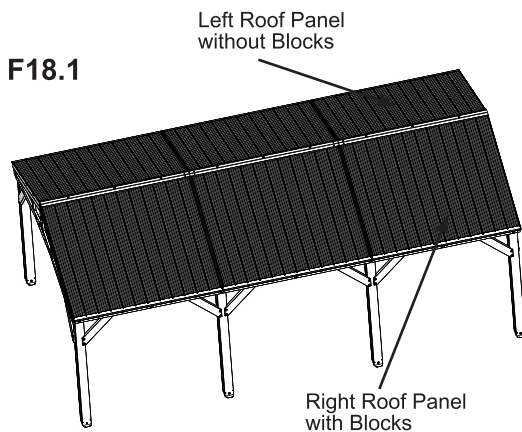
# Step 18: Install Final Roof Panel Part 1



**A:** Lift Right Roof Panel with Blocks up over Beam Frame Assembly so the notches in Rafters rest on Beam Assembly and the Roof Panel is resting on the Mid Truss Assembly and FB Truss Assembly. Bolt Roof Panels together with four 1/4 x 4-1/4" Hex Bolts (with two 1/4-5/16" large washers and one 1/4" lock nut). (F18.1 and F18.2)

**B:** Connect Roof Panel Assemblies through the (1702) Rafter B's in the first and third holes with four 5/16 x 3-3/4" Hex Bolts (with two 1/4-5/16" large washers and one 5/16" lock nut). To align bolt holes helper in the centre may have to push up the centre of the panels. Make sure all bolts are tight. (F18.3 and 18.4)

**C:** Connect Roof Panel Assemblies to Mid Truss Assembly through the (1702) Rafter B's in the second and fourth holes with eight Roof to Truss Flat Brackets and eight 5/16 x 3-3/4" Hex Bolts (with two 1/4-5/16" large washers and one 5/16" lock nut). To align bolt holes, helper in the centre may have to push up the centre of the panels or loosen bolts at Mid Post and push up Truss. Tighten all Bolts. (F18.3 and F18.4)



## Components

8 x Roof to Truss Flat Bracket

## Hardware

4 x 1/4 x 4-1/4" Hex Bolt  
(1/4-5/16" large washer x 2, 1/4" lock nut)

12 x 5/16 x 3-3/4" Hex Bolt  
(1/4-5/16" large washer x 2, 5/16" lock nut)

# Step 18: Install Final Roof Panel Part 2



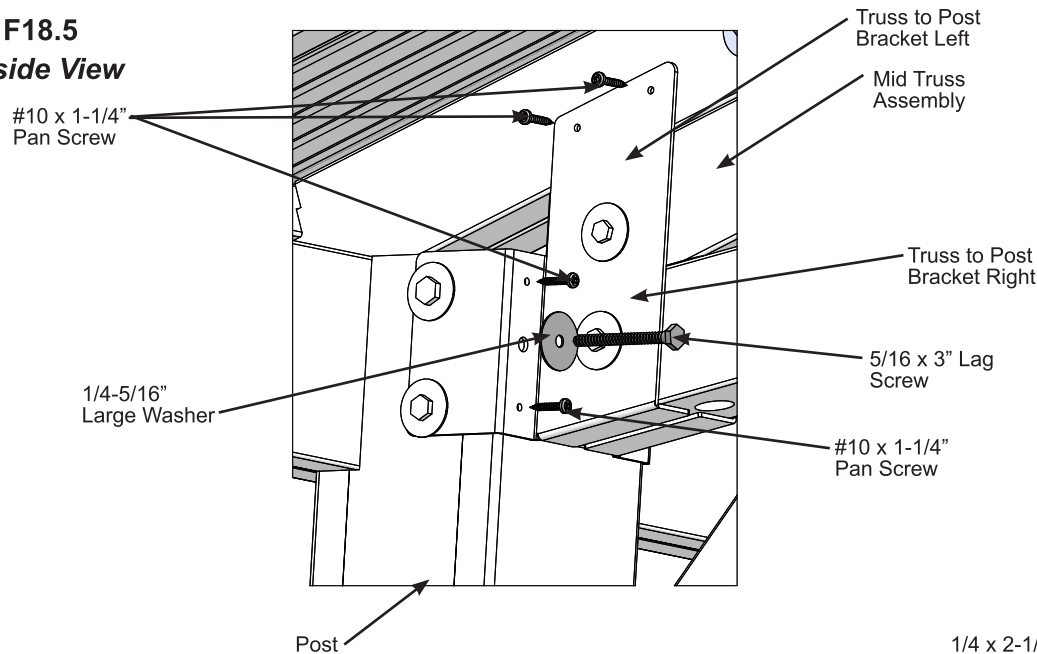
**D:** Pre Drill holes with 1/8" drill bit and attach Truss to Post Bracket Left and Truss to Post Bracket Right to Post with one 5/16 x 3" Hex Lag (with 1/4-5/16" large washer) per Bracket. (F18.5)

**E:** Attach Truss to Post Bracket Left and Truss to Post Bracket Right to Post and (1702) Rafter B's with four #10 x 1-1/4" Pan Screw per Bracket. (F18.5)

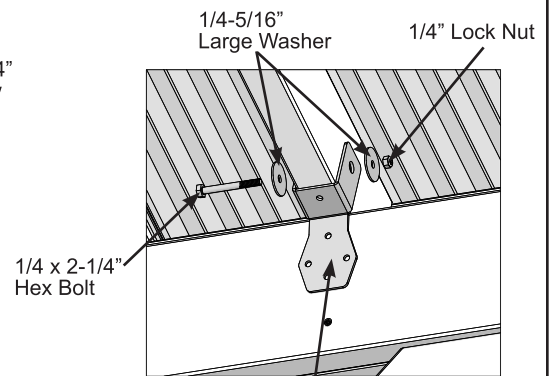
**F:** Loosely attach Roof to Beam Brackets to (1701) Rafter A's on Right Roof Panel with Block using one 1/4 x 2-1/4" Hex Bolt (with two 1/4-5/16" large washers and one 1/4" lock nut) per bracket. (F18.6 and F18.7)

**G:** Attach Roof to Beam Brackets to (1701) Rafter A and Beam Assemblies with five #10 x 1-1/4" Pan Screws per Bracket. Tighten all bolts. (F18.6 and F18.8)

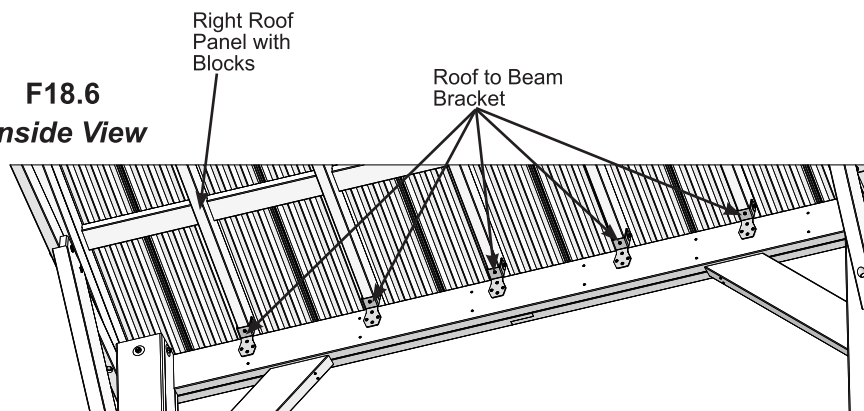
**F18.5**  
*Inside View*



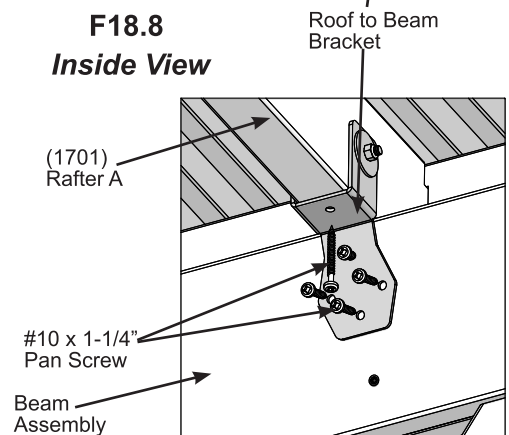
**F18.7**  
*Inside View*



**F18.6**  
*Inside View*



**F18.8**  
*Inside View*



**Components**

5 x Roof to Beam Bracket

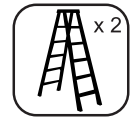
**Hardware**

8 x 5/16 x 3" Lag Screw  
(1/4-5/16" large washer)

182 x #10 x 1-1/4" Pan Screw

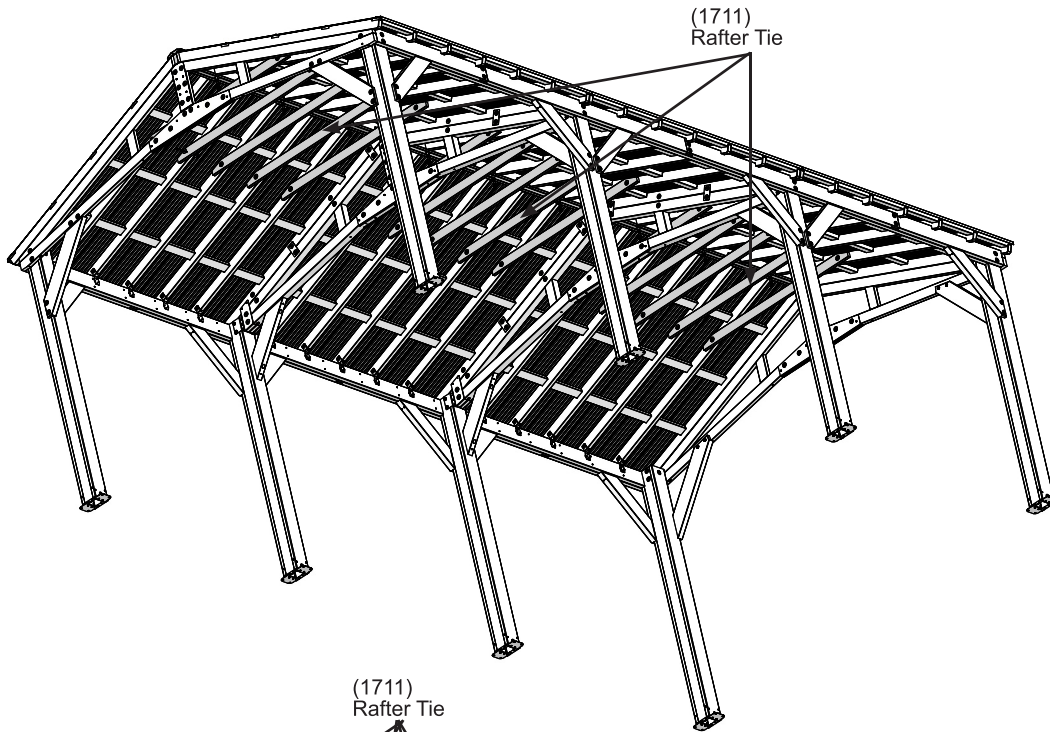
5 x 1/4 x 2-1/4" Hex Bolt  
(1/4-5/16" large washer x 2, 1/4" lock nut)

# Step 19: Attach Rafter Ties

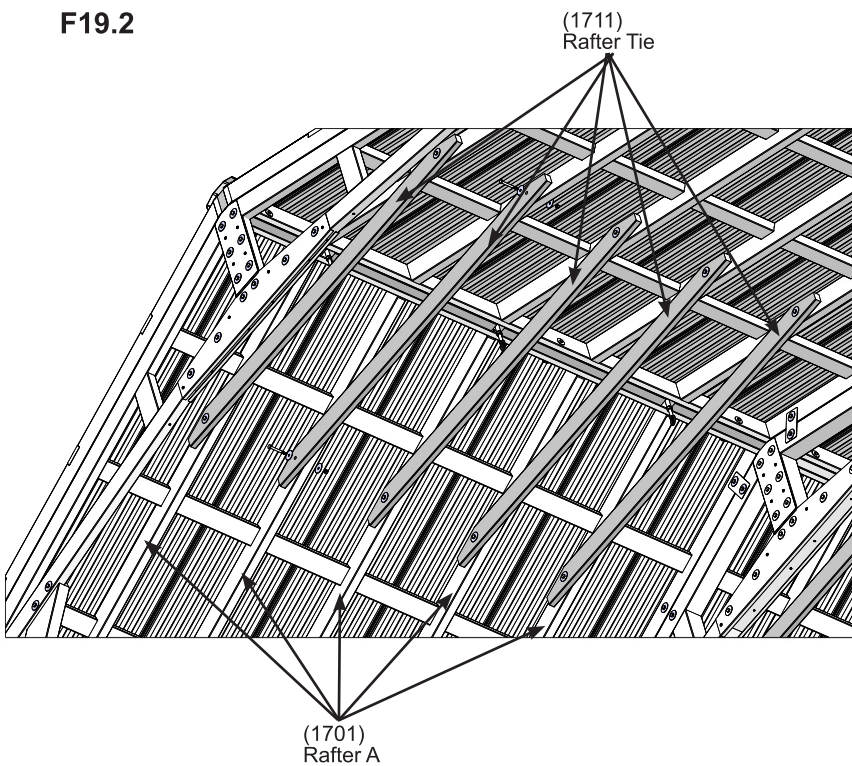


**A:** Attach one (1711) Rafter Tie to each (1701) Rafter A with two 5/16 x 3" Hex Bolt (with two 1/4-5/16" large washers and one 5/16" lock nut) per Rafter Tie. (F19.1, F19.2 and F19.3)

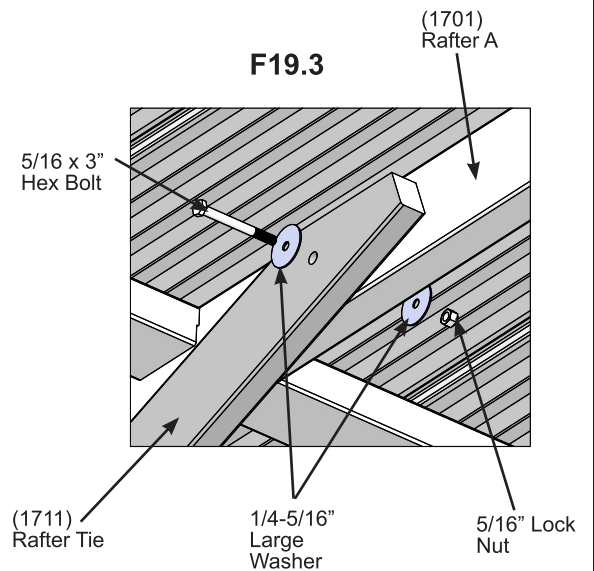
**F19.1**



**F19.2**



**F19.3**



## Wood Parts

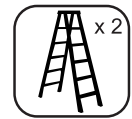
15 x (1711) Rafter Tie

## Hardware

30 x 5/16 x 3" Hex Bolt  
(1/4-5/16" large washer x 2, 5/16" lock nut)



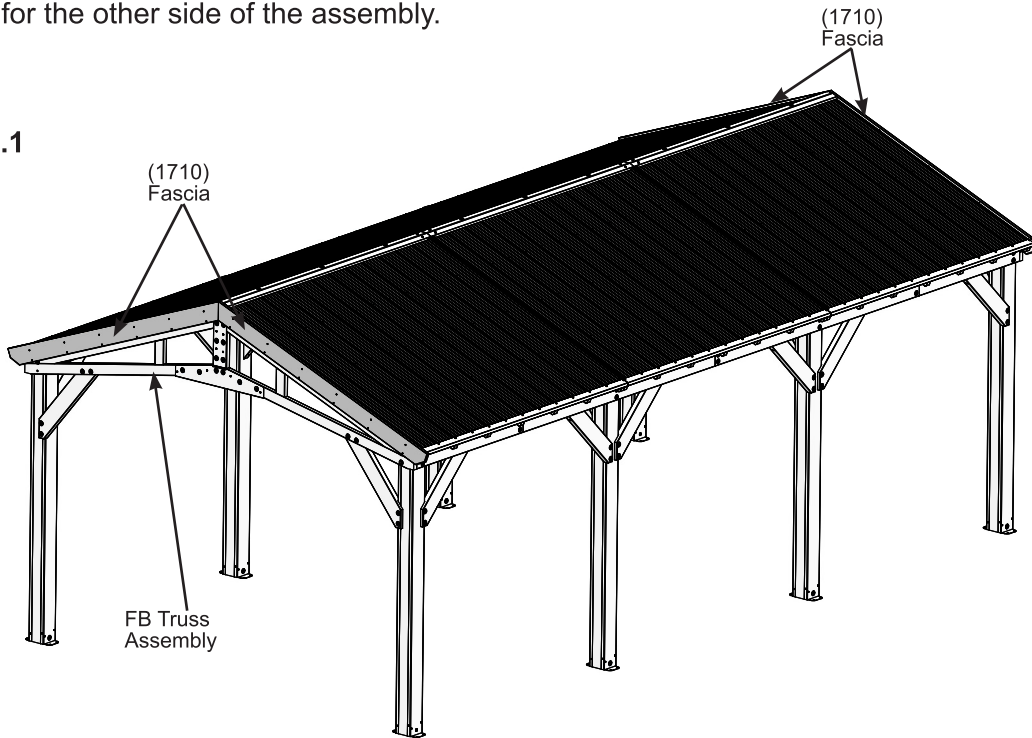
# Step 20: Attach Fascias



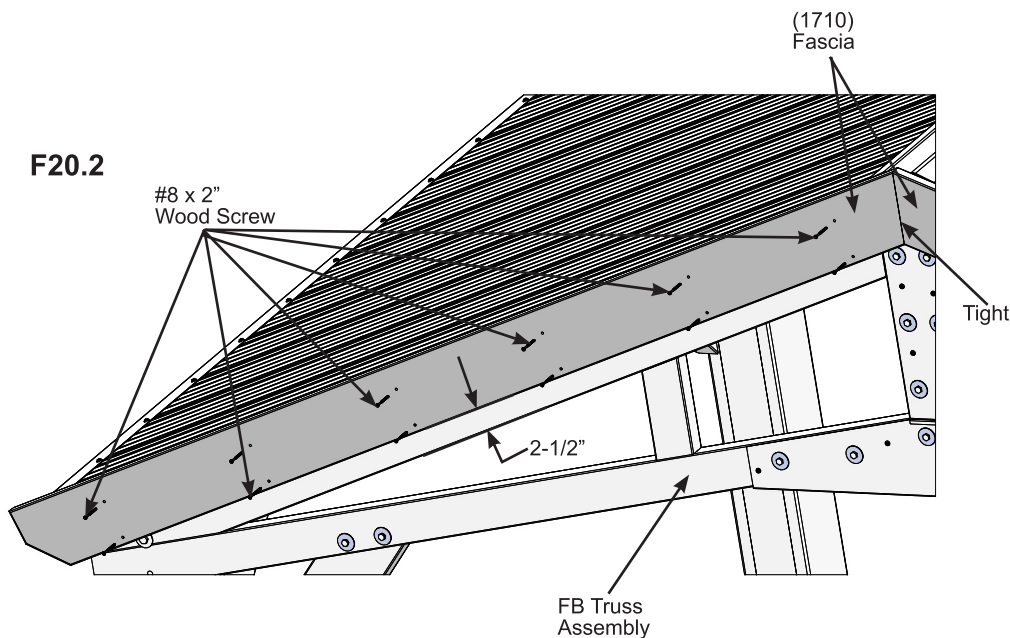
**A:** On one side of the assembly place two (1710) Fascias against the FB Truss Assembly and (1703) Rafter C so the peaks meet in the centre and they are tight together. Bottom of (1710) Fascias should measure 2-1/2" from bottom. Attach with twelve #8 x 2" Wood Screws per (1710) Fascia. (F20.1, 20.2 and 20.3)

**B:** Repeat for the other side of the assembly.

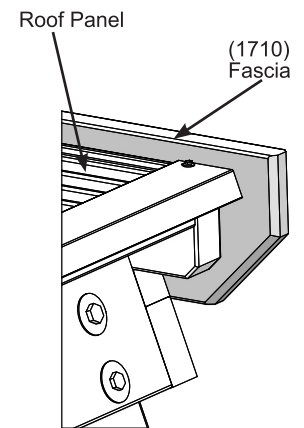
**F20.1**



**F20.2**



**F20.3**



## Wood Parts

4 x (1710) Fascia

## Hardware

48 x #8 x 2" Wood Screw

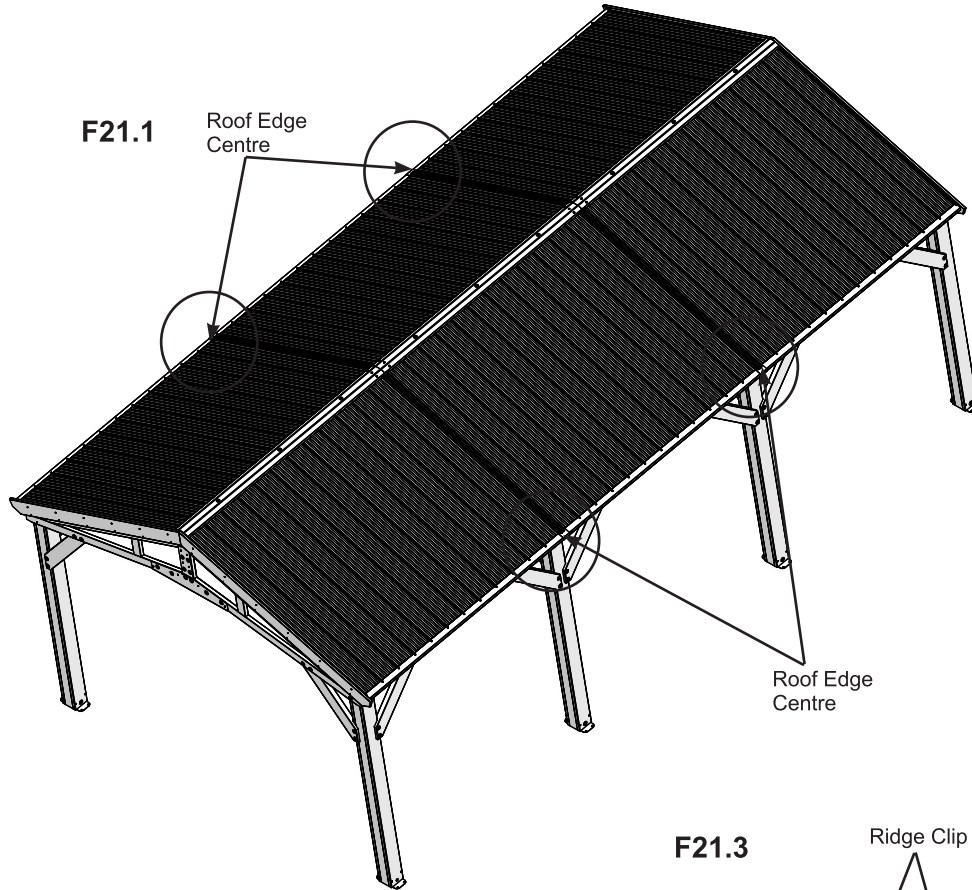




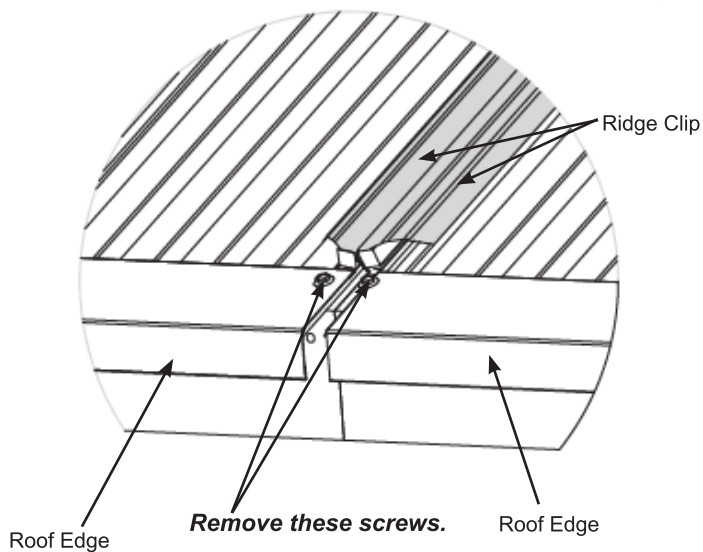
## Step 21: Roof Edge Centre

**A:** Remove two #8 x 1" Roofing Screws from each Roof Edge where each Roof Panel Assembly connect. (F21.1 and F21.2)

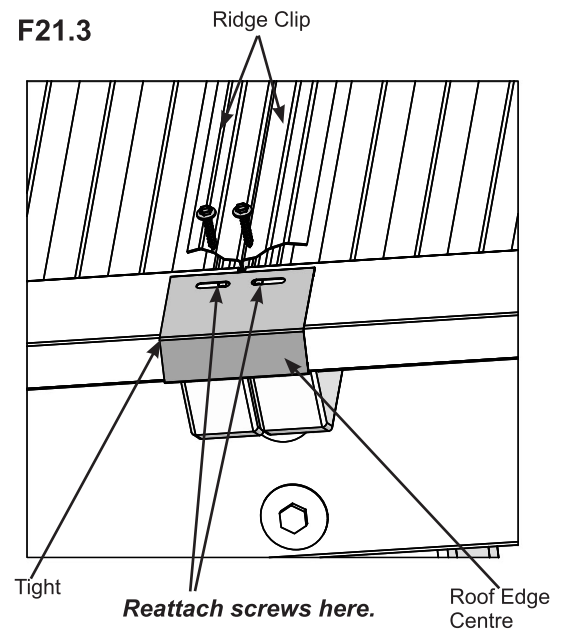
**B:** Place one Roof Edge Centre over each connecting seam, tight to Roof Edges and attach with previously removed screws. (F21.1 and F21.3)



**F21.2**



**F21.3**



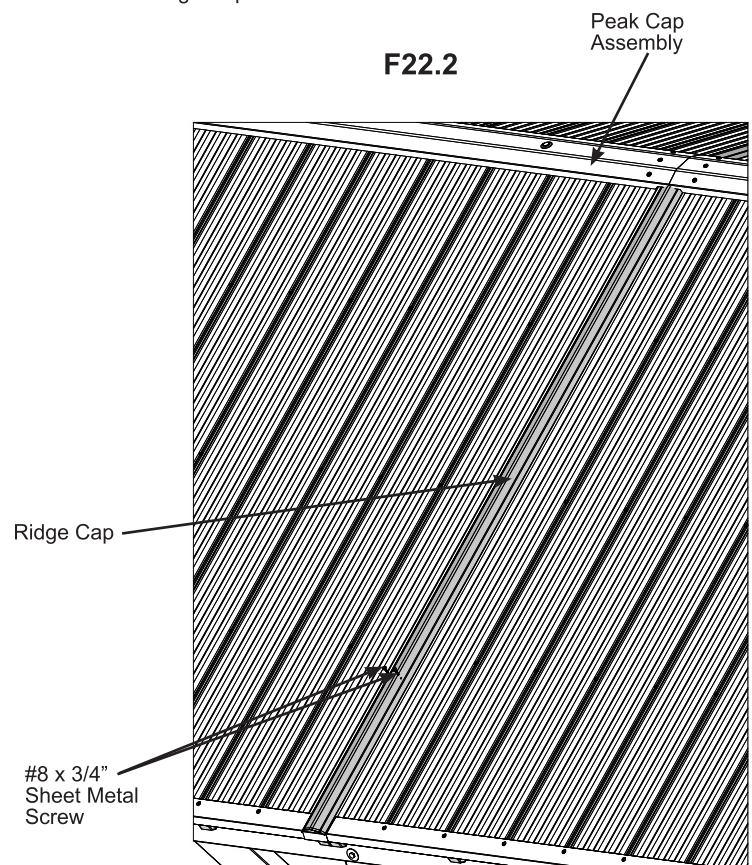
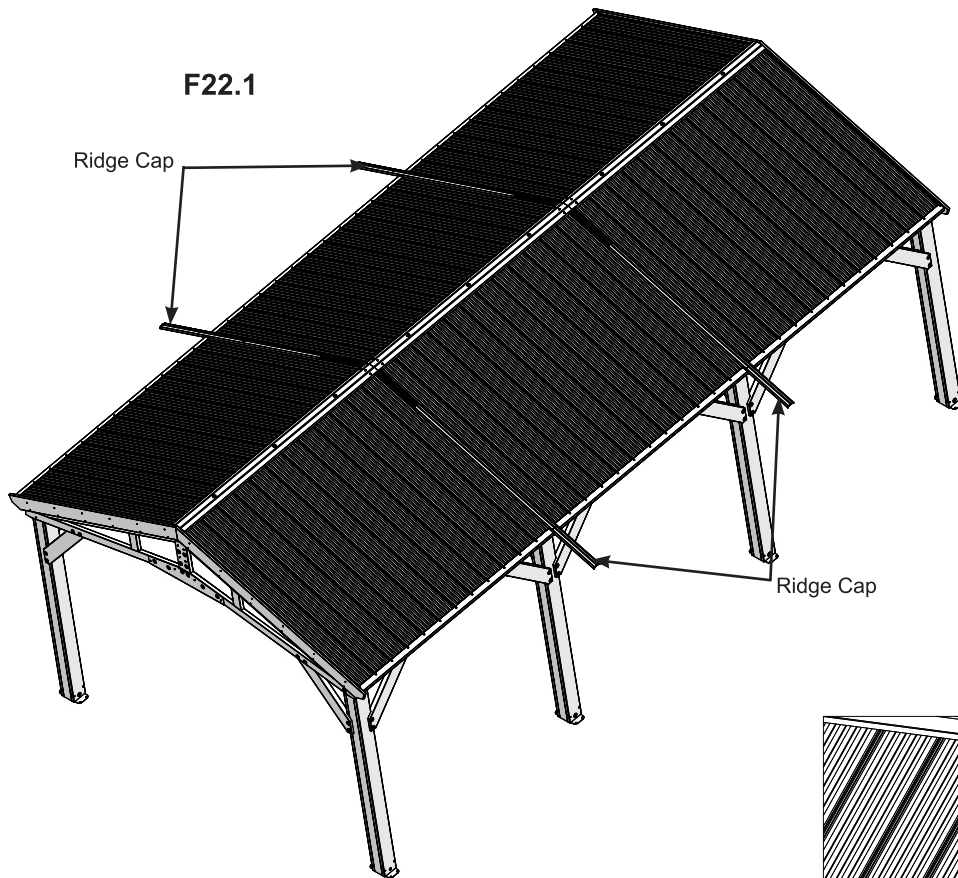
### Roof Parts

4 x Roof Edge Centre



## Step 22: Ridge Cap

**A:** At each Roof Panel Assembly, slide one Ridge Cap over the Ridge Clips, from the bottom up to the top, with cut edge leading and holes in Ridge Cap towards bottom. Slide under Peak Cap Assembly. Attach with two #8 x 3/4" Sheet Metal Screws per Ridge Cap. (F22.1 and F22.2)



### Roof Parts

4 x Ridge Cap

### Hardware

8 x #8 x 3/4" Sheet Metal Screw

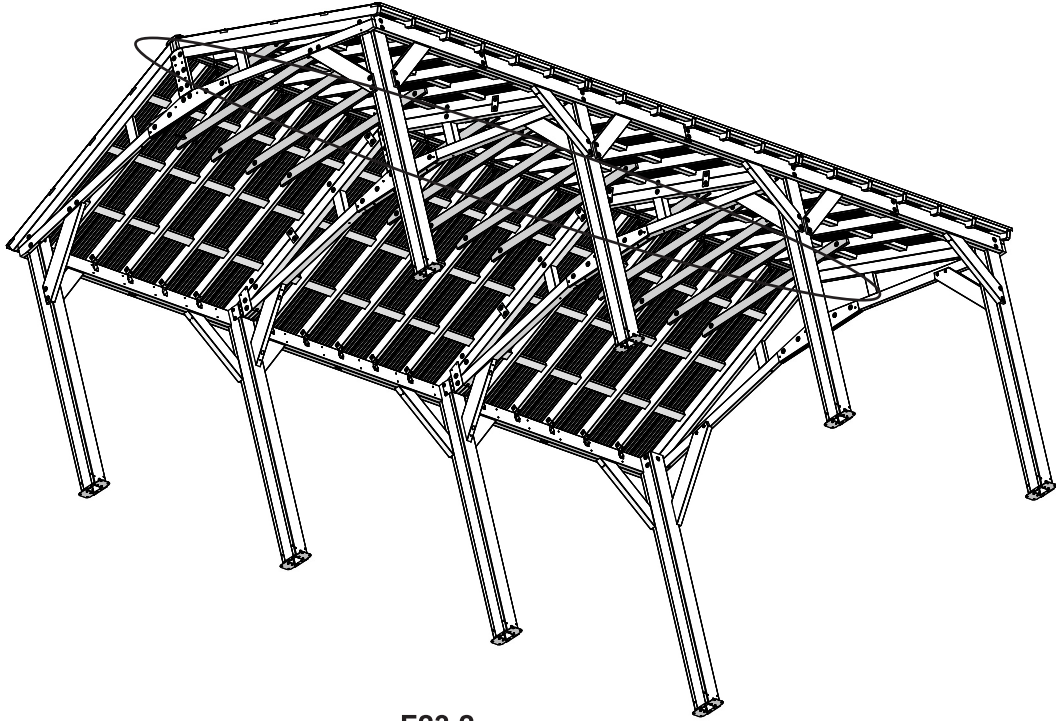
## Step 23: Secure Peak Cap Assembly



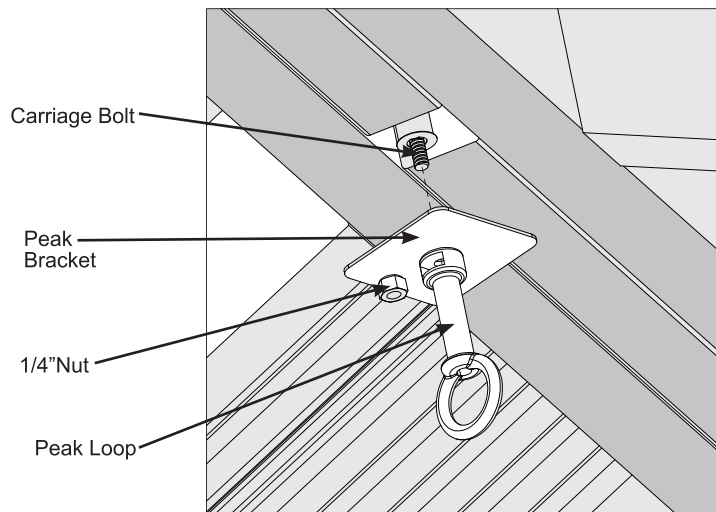
**A:** From underneath on the Peak Cap Assembly place one Peak Bracket over Carriage Bolt, then attach Peak Loop (with 1/4" Nut) to the carriage bolts and twist to tighten. (F23.1 and F23.2)

**B:** Repeat for all nine Carriage Bolts.

F23.1



F23.2  
*Inside View*



### Components

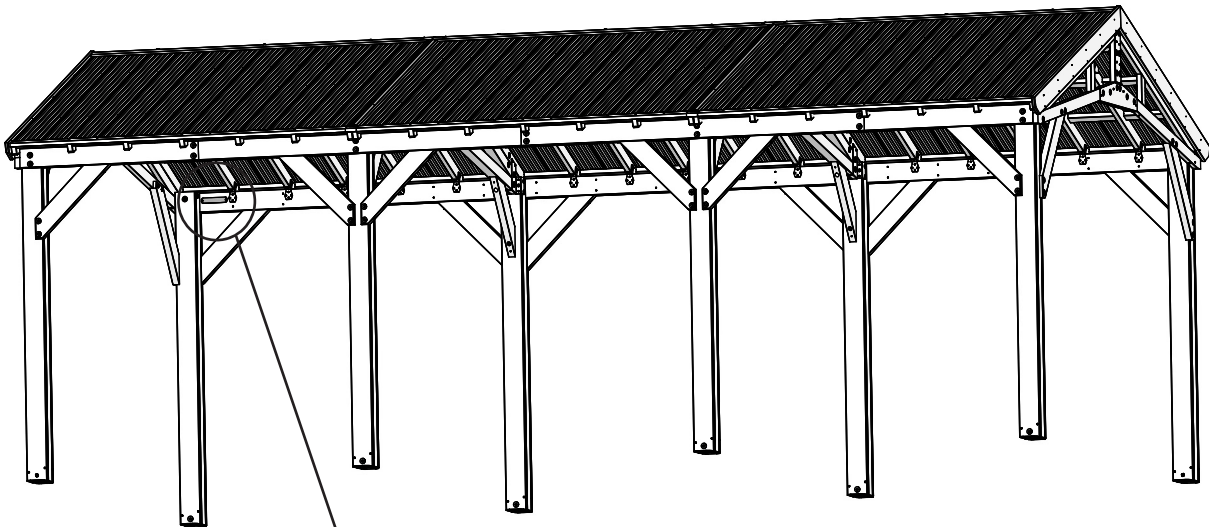
- 9 x Peak Bracket
- 9 x Peak Loop
- 9 x 1/4" Nut

## Step 24: Plaque

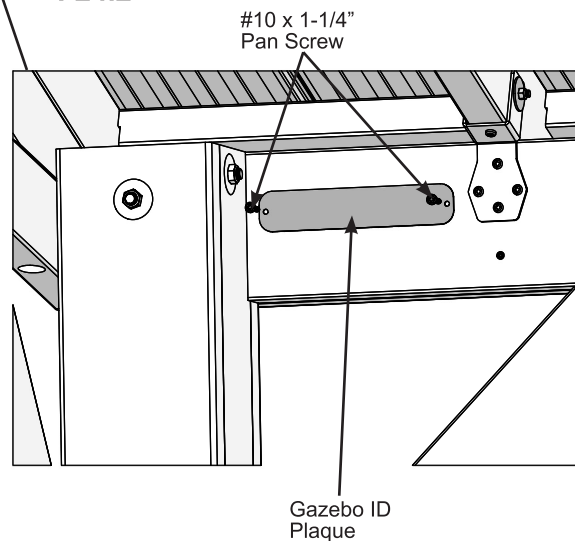


**A:** Attach Gazebo ID Plaque to a prominent location on your Pavilion with two #10 x 1-1/4" Pan Screws. This provides warnings, concerning safety and important contact information. A tracking number is provided to allow you to get critical information or order replacement parts for this specific model. (F24.1 and F24.2)

F24.1



F24.2



### Components

1 x Gazebo ID Plaque

### Hardware

2 x #10 x 1-1/4" Pan Screw



Yardistry® 375 Sligo Road West, P.O. Box 10, Mount Forest, ON Canada N0G 2L1

Distributed by:  
Costco Wholesale Corporation  
P.O. Box 34535  
Seattle, WA 98124-1535  
USA  
1-800-774-2678  
www.costco.com

Costco Wholesale Canada Ltd.\*  
415 W. Hunt Club Road  
Ottawa, Ontario  
K2E 1C5, Canada  
1-800-463-3783  
www.costco.ca  
\* faisant affaire au Québec sous  
le nom les Entrepôts Costco

Importado por:  
Importadora Primex S.A. de C.V.  
Blvd. Magnocentro No. 4  
San Fernando La Herradura  
Huixquilucan, Estado de México  
C.P. 52765  
RFC: IPR-930907-S70  
(55)-5246-5500  
www.costco.com.mx

Costco Wholesale Australia Pty Ltd  
17-21 Parramatta Road  
Lidcombe NSW 2141  
Australia  
www.costco.com.au

Costco Wholesale UK Ltd /  
Costco Online UK Ltd  
Hartspring Lane  
Watford, Herts  
WD25 8JS  
United Kingdom  
01923 213113  
www.costco.co.uk

Costco Wholesale Spain S.L.U.  
Polígono Empresarial Los Gavilanes  
C/ Agustín de Betancourt, 17  
28906 Getafe (Madrid) España  
NIF: B86509460  
900 111 155  
www.costco.es

Costco Wholesale Iceland ehf.  
Kauptún 3-7, 210 Gardabaer  
Iceland  
www.costco.is

Costco France  
1 avenue de Bréhat  
91140 Villebon-sur-Yvette  
France  
01 80 45 01 10  
www.costco.fr

Costco Wholesale Japan Ltd.  
2 Kakuchi, 2 Gaiku, Kaneda-Nishi  
361 Urigura, Kisarazu shi  
Chiba, 292-0007 Japan  
0570-200-800  
www.costco.co.jp

Costco Wholesale Korea, Ltd.  
40, Ilijik-ro  
Gwangmyeong-si  
Gyeonggi-do, 14347, Korea  
1899-9900  
www.costco.co.kr

Costco Wholesale New Zealand Limited  
2 Gunton Drive  
Westgate  
Auckland 0814  
New Zealand  
www.costco.co.nz

Costco (China) Investment Co., Ltd.  
Room 1003, Block 2, 2388 Xiupu Road,  
Pudong New Area, Shanghai  
China 201315  
+86-21-6257-7065

Costco Wholesale Sweden AB  
Box 614  
114 11 Stockholm  
Sweden  
www.costco.se

AUSTRALIA: Our goods come with guarantees that cannot be excluded under the Australian Consumer Law. You are entitled to a replacement or refund for a major failure and for compensation for any other reasonably foreseeable loss or damage. You are also entitled to have the goods repaired or replaced if the goods fail to be of acceptable quality and the failure does not amount to a major failure.

AUSTRALIE : Nos articles sont offerts avec des garanties qui ne peuvent connaître d'exclusions au regard de la loi australienne sur la protection des consommateurs. Vous avez droit au remplacement ou au remboursement en cas de défaillance majeure de votre article ainsi qu'à une compensation en cas de perte ou de dommage prévisible. Vous avez aussi droit à la réparation ou au remplacement de l'article s'il n'est pas d'une qualité acceptable et que la défaillance n'est pas majeure.

AUSTRALIA: Nuestros productos cuentan con garantías que no se pueden excluir bajo las Leyes del Consumidor de Australia. Usted tiene derecho a un cambio o devolución en caso de un fallo importante ya una compensación por cualquier otra pérdida o daño razonablemente previsible. También tiene derecho a la reparación o reemplazo de los bienes, si éstos no cumplen con una calidad aceptable y el fallo no constituye un fallo importante.









## Customer Registration Card - Tarjeta de Registro del Cliente - Carte d'inscription du client

First Name - Primer Nombre - Prénom	Initial - Inicial - Initiale	Last Name - Apellido - Nom de famille

Street - Calle - Rue	PO Box - Casilla postal - Boîte postale	Apt. No. - App.

City - Ciudad - Ville	State/Province - Estado/Provincia - État/Province

ZIP/Postal Code - Código Postal - ZIP/Code postal	Country - País - Pays

E-mail Address - Dirección de E-mail - Adresse courriel	Telephone Number - No. de Teléfono - N° de téléphone

Model Name - Nombre del Modelo - Nom du modèle	Model Number (from front cover) - Número de Modelo (de la portada) - N° du modèle (page de couverture)

Date of Purchase - Fecha de Compra - Date d'achat (mm/dd/yyyy) (mm/dd/aaaa) (mm/jj/aaaa)	Place of Purchase - Comprado a - Lieu d'achat

Comments - Comentarios - Commentaires:

### Mail To - Enviar por Correo a - Envoyer par courrier à:

Yardistry  
375 Sligo Road West, PO Box 10  
Mount Forest, Ontario, Canada, N0G 2L0  
Attention: Consumer Relations  
Atención a: Servicio de Atención al Cliente  
À l'attention de: Service à la clientèle

### Online Registration - Registro online - Enregistrement en ligne:

[www.yardistrystructures.com/warranty](http://www.yardistrystructures.com/warranty)

Hours/ Heures/ Horas: 8:30 am - 5:00 pm EST  
(excl. holidays/ hors jours fériés/ excepto los días festivos)

English and French Spoken / Anglais et français parlés / Inglés y francés hablado

Yardistry would like to say "Thank you" for your time and feedback.

Yardistry quiere "Agradecerle" por su tiempo y su opinión.

Yardistry aimerait vous remercier d'avoir pris le temps de répondre au sondage.