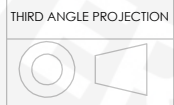
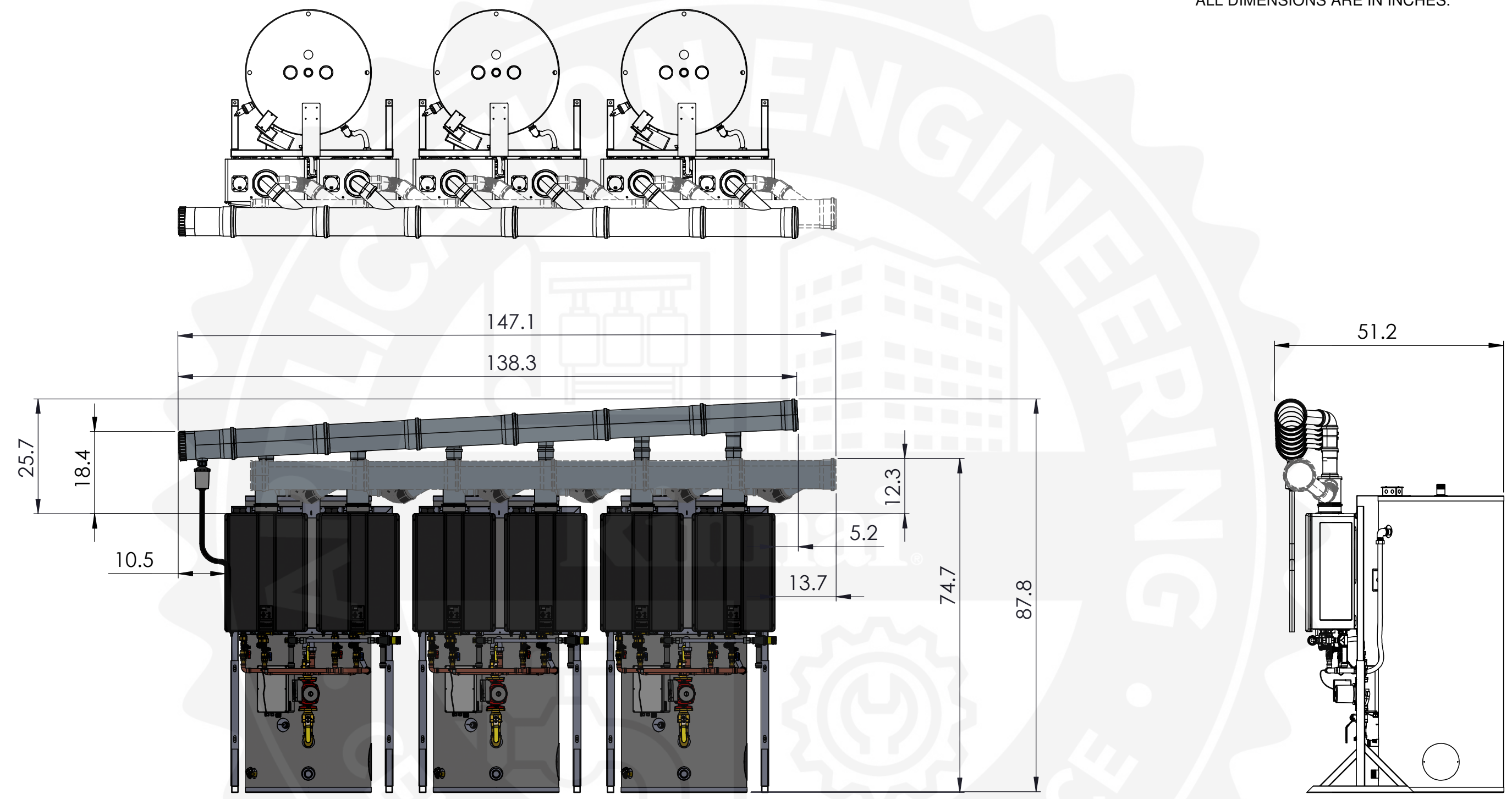


8 7 6 5 4 3 2 1

ALL DIMENSIONS ARE IN INCHES.

D  
C  
B  
A

D  
C  
B  
A



LAST REVISION COMMENTS

UNLESS OTHERWISE SPECIFIED:

NAME DATE  
AB 08/15/2018

TOLERANCES:  
Sheet Metal X.XX = ±0.030  
X.XXX = ±0.010  
Fraction = ±1/32  
Angle = ± 1.0°  
MACHINED X.XXX = ±0.005  
Angle = ± 0.010°

DRAWN  
CHECKED  
ENG APPR.  
MFG APPR.  
Q.A.  
COMMENTS:

INTERPRET GEOMETRIC TOLERANCING PER:  
MATERIAL  
FINISH  
DO NOT SCALE DRAWING



TITLE:  
**Systems Design Manual**  
Common Vent Dimensions

RINNAI AMERICA CORPORATION  
103 INTERNATIONAL DRIVE  
PEACHTREE CITY, GA 30269  
1-800-621-9419

PROPRIETARY AND CONFIDENTIAL

THE INFORMATION CONTAINED IN THIS DRAWING IS THE SOLE PROPERTY OF RINNAI AMERICA. ANY REPRODUCTION IN PART OR AS A WHOLE WITHOUT THE WRITTEN PERMISSION OF RINNAI AMERICA IS PROHIBITED.

SIZE DWG. NO. REV  
**B** CHSDD-3-CV

SCALE: 1:25 WEIGHT: SHEET 1 OF 1

8 7 6 5 4 3 2 1