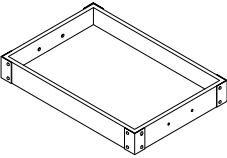
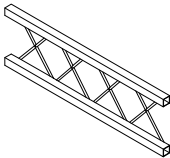
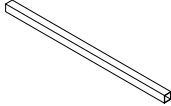
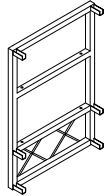
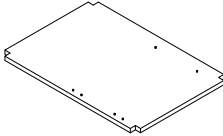
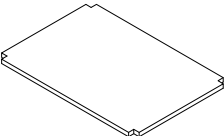
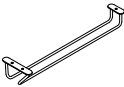
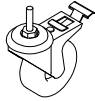

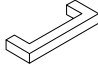
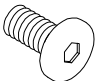
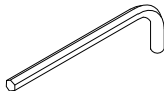
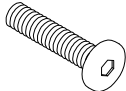



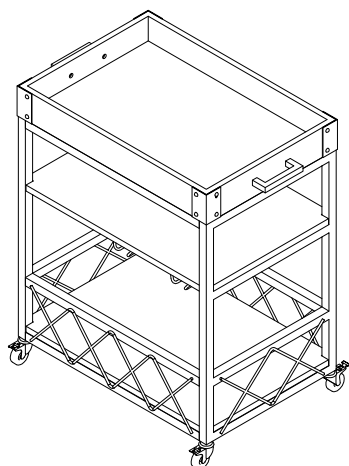


# ASSEMBLY INSTRUCTION

## 3228-07 KITCHEN CART

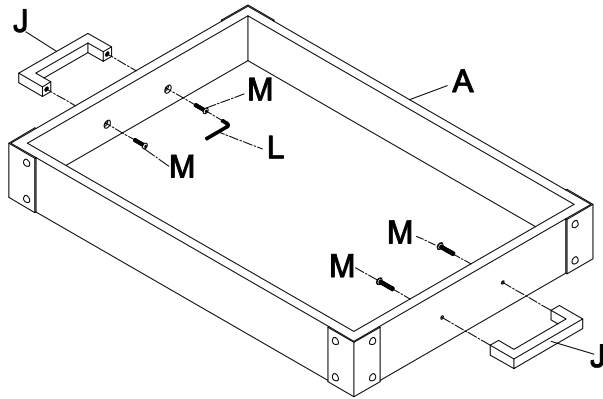
<b>A</b> Tray  1PC	<b>B</b> Connecting Frame  2PCS	<b>C</b> Crossbar  2PCS	<b>D</b> Side Frame  2PCS	<b>E</b> Middle Panel  1PC
<b>F</b> Lower Panel  1PC	<b>G</b> Wire  2PCS	<b>H</b> Lock Caster  2PCS	<b>I</b> Non-Locking Caster  2PCS	<b>J</b> Handle  2PCS
<b>K</b> Screw 1/4"X1/2"  12PCS	<b>L</b> Allen Wrench 1/4"  1PC	<b>M</b> Screw 1/4"X1-3/8"  12PCS	<b>N</b> Wood Screw 4*12mm  6PCS	<b>O</b> Spanner Wrench 3/4"  1PC
<b>P</b> Phillip Screwdriver (Not provided)				
 1PC				



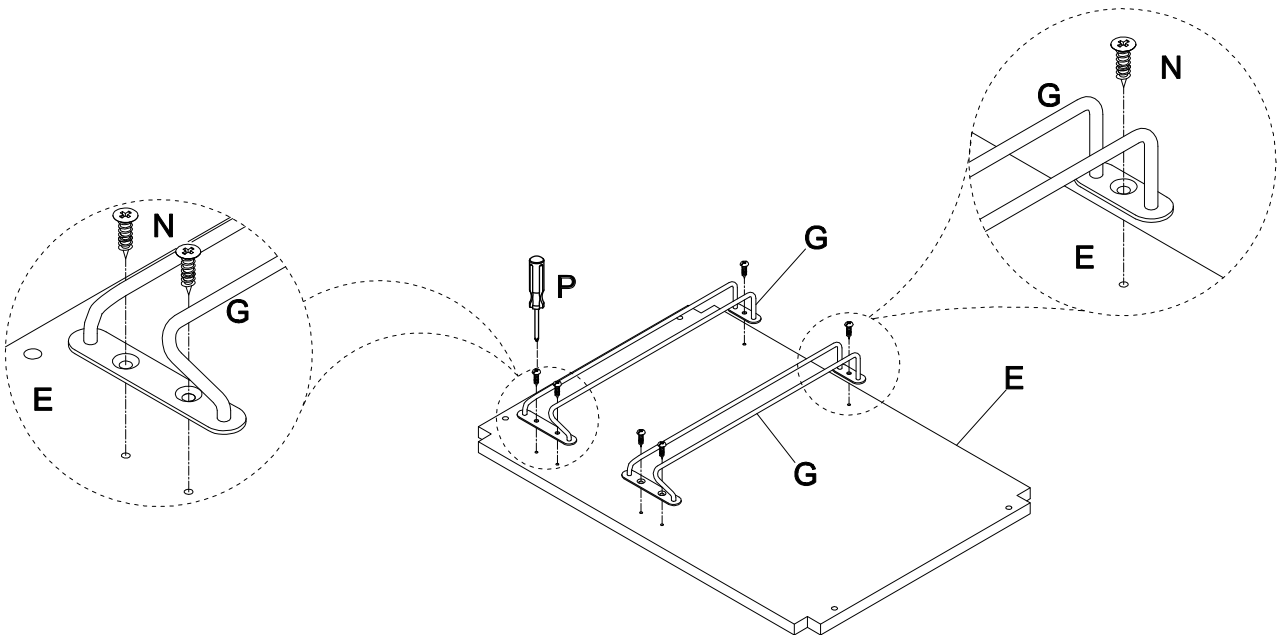
This page lists all the contents included in the box. Please take the time to identify the hardware as well as the individual components to this product. As you unpack and prepare for assembly, place the contents on a carpeted or padded area to protect them from damage.

\*\*\* Do not tighten screws & bolts until the entire unit is completely assembled.

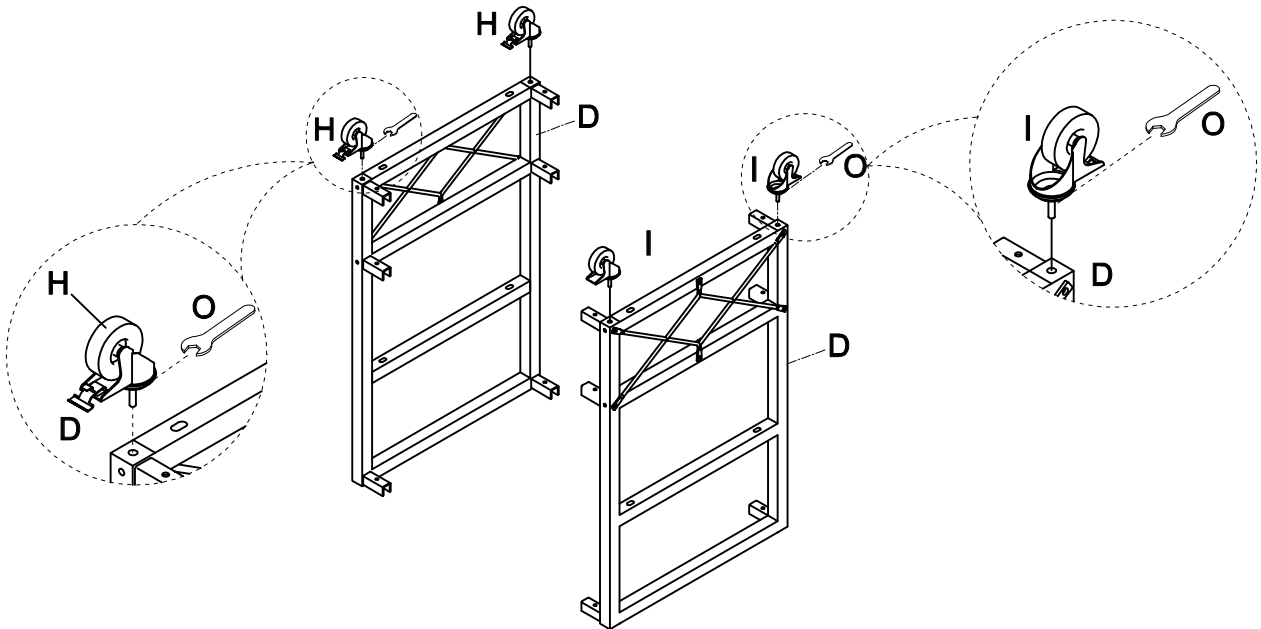
**1** Attach Handle(J) to Tray(A) with Screw(M) and secure using Allen Wrench(L) as shown.



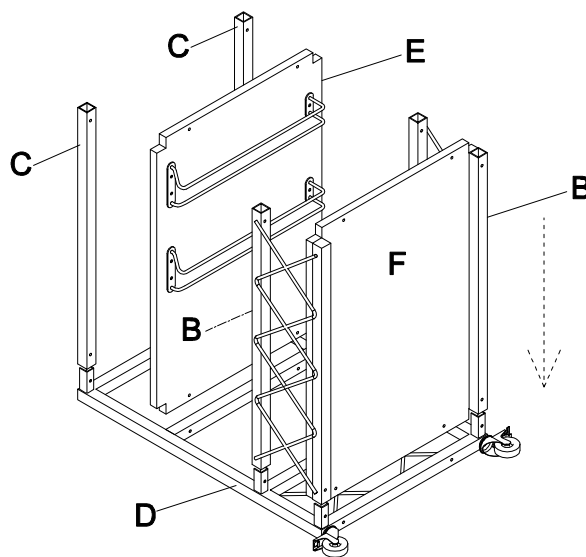
**2** Attach Middle Panel(E) to Wire(G) using Wood Screw(N) and a Phillip Screwdriver(P).



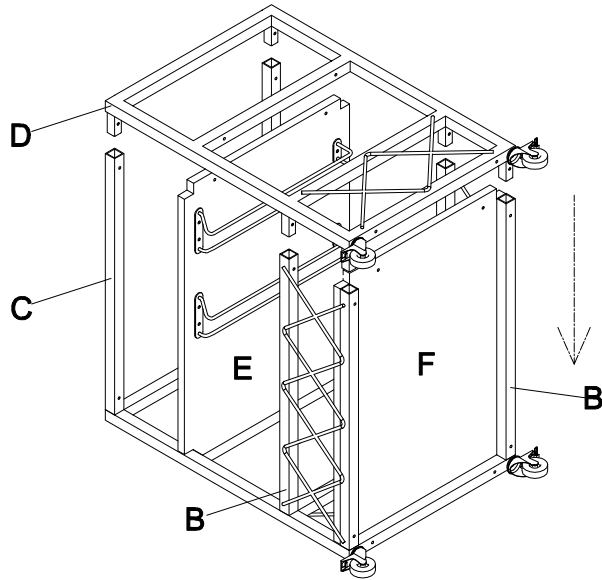
- 3** Install Lock Caster(H) to Side Frame(D) as shown. Then install Non-Locking Caster(I) to Side Frame(D) as shown. Secure both Lock Caster(H) and Non-Locking Caster(I) by tightening the clockwise using Spanner Wrench(O).



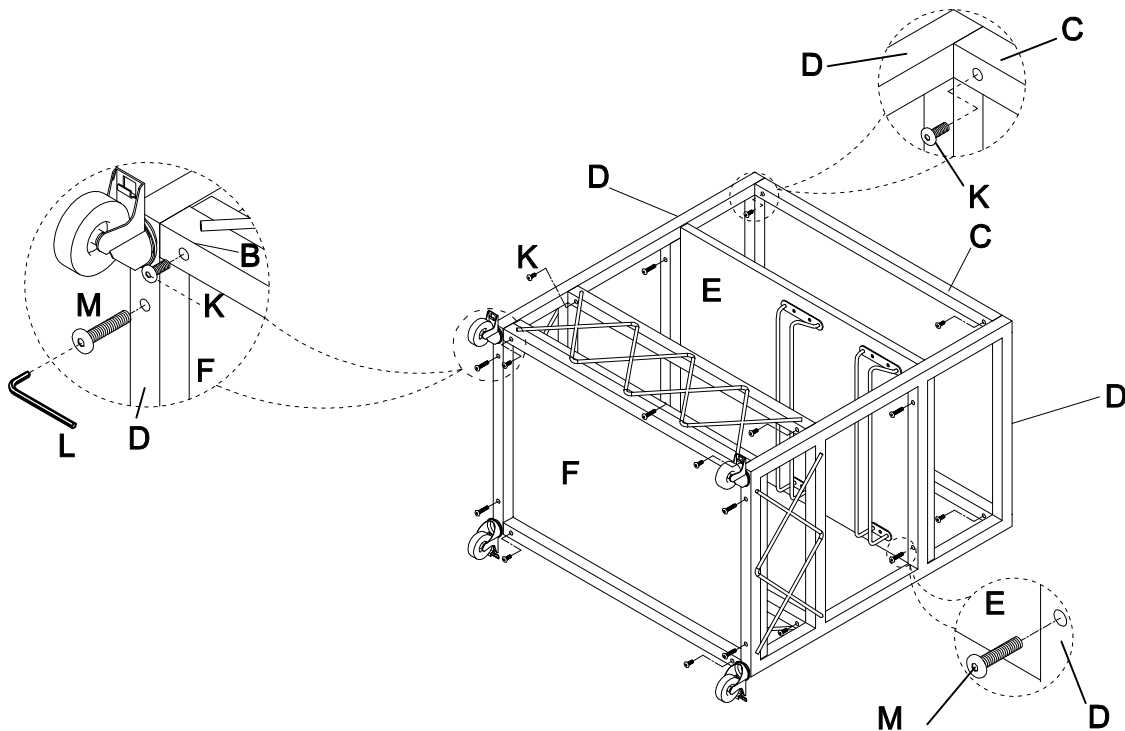
- 4** Install Crossbar(C) and Connecting Frame(B) to Side Frame(D) as shown. Carefully place Middle Panel(E) and Lower Panel(F) down into position on Side Frame(D) as shown.



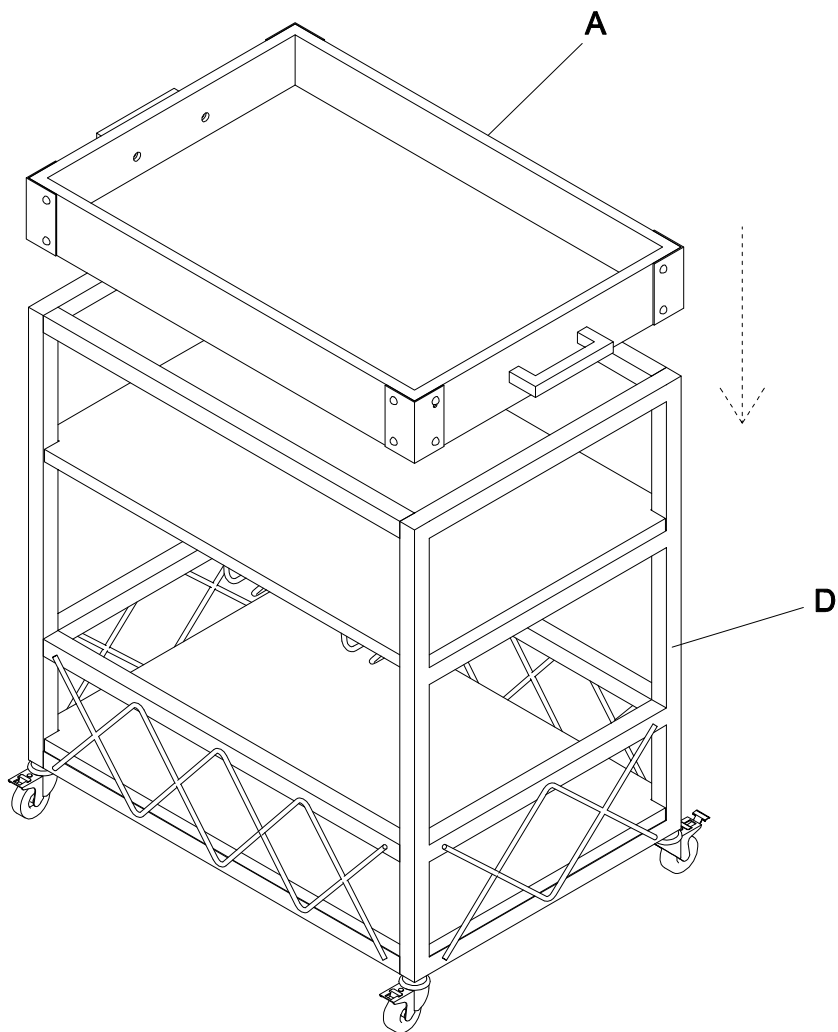
**5** Install Side Frame(D) to Crossbar(C) and Connecting Frame(B) as shown.



**6** Attach Crossbar(C) and Side Frame(D) using Screws(K) and Allen Wrench(L) as shown. Attach Middle Panel(E) and Side Frame(D) using Screws(M) and Allen Wrench(L) as shown. Attach Lower Panel(F) and Side Frame(D) using Screws(M) and Allen Wrench(L) as shown. Attach Side Frame(D) and Connecting Frame(B) using Screws(K) and Allen Wrench(L) as shown. Tight all screws and carefully turn the assembled unit upright.



**7** Place the Tray(A) into the Side Frame(D) as shown.



### Cleaning & Care

Treat surface with care. Surface is resistant to scratches but is not scratch resistant. Clean surfaces with a dry or damp soft cloth. Do not use abrasive cleaners. Hardware may loosen over time. Periodically check that all connections are tight.