

3-Gallon EZ STOR® Container with Hinged Cover

Multiple Uses

Dry Products

Product Codes

Container: **E037**

Description: 3-gallon rectangular can

Cover: **E4DH**

Description: Dry seal, tamper-evident, hinged, EZ open & close cover

Features

Built in hand grips

Gauge: 65 mil.

Nominal capacity: 3.0 USG / 11.4 L

Stack performance: 150 lbs.*

Tare weights: Body: 1.07 lbs. / .49 kgs.

Cover: .42 lbs. / .19 kgs.

Note: *Ratings will be reduced with uneven load distribution.

Specifications with Cover

Dimensions: 12"L X 9-15/16"W X 9-3/4"H

Maximum capacity: 3.25 USG / 12.3 L

Tare weight: 1.49 lbs. / .68 kgs.

Colors

Standard: White, Black and Natural

Custom: Available at manufacturer's discretion

Decorating Options*

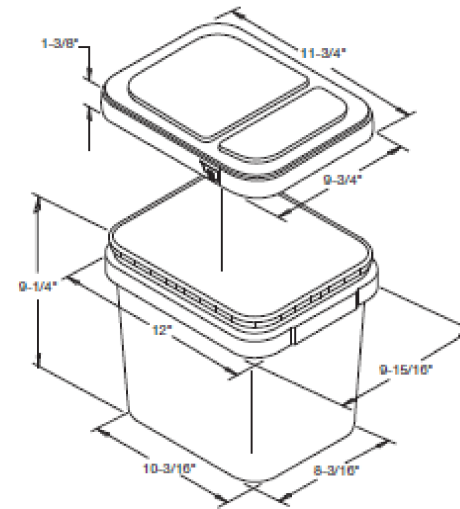
Four or six color offset printing**

Sleeve or pressure sensitive labeling

NXT Graphics®

Note: *See EZ Stor Decoration Summary for further details.

**Where available.



Shipping Data

Qty. per pallet:

Gross Weight (lbs./kgs.)**:

Den. (lbs./C.F./kgs./m3):

Length (in./cm.):

Width (in./cm.):

Height (in./cm.):

Estimated truckload quantity of 12,672 bodies and covers***

Bodies

288

308/141

6.5/104.8

48.0/121.9

40.0/101.6

42.8/108.6

Covers

2,304 (32 boxes of 72)*

967.6/437.7

11.7/187.3

47/119.4

41/104.1

74/188

Filled Containers

80 (16 per layer / 5 layers high)

Pallet height: 53"

Note: *Bulkpack of 1120 also available

**Weight does not include pallet / packaging

***Truckload quantity based on 53' trailer

Materials

FDA approved materials

Resin: Body: High Density Polyethylene (HDPE)

Cover: Polypropylene (PP)

MSDS Sheets available upon request

Optional Carrying Handle

DISCLAIMER

THIS INFORMATION IS PROVIDED AS A GENERAL GUIDE, INCLUDING DIMENSIONS. IT IS THE CUSTOMER'S RESPONSIBILITIES TO SELECT THE PROPER CONTAINER FOR PRODUCT AND APPLICATION COMPATIBILITY.

DISTRIBUTED BY:



REF NO.:

DWG10150

DESCRIPTION:

3 gallon HDPE EZ Stor Pail