

The Savant® Plenum Sensor measures the air temperature discharged from a residential HVAC system. The CLI-PLEN1R residential type sensor uses a flange mount type design and is attached to the plenum ductwork using self-tapping screws.

The sensor communicates with the CLI-8000/8000A Thermostat Processing Unit (TPU) over a two-wire Cat 5 twisted pair or equivalent cable and is plugged into the REMOTE SENSORS connection on the front panel. At the sensor side, the sensor is wired to the remote sensor cabling using the Dolphin Splice Connectors enclosed in the install kit.

Once mounted, the Max and Min DAT (Discharge Air Temperature) setting within the HVAC menu of the TPU can be adjusted for Min and Max values. If either of these settings are crossed, the heating or cooling system is shut down.

### Box Contents

- (1) CLI-PLEN1R
- (2) Dolphin Splice Connector (028-0581-xx)
- (1) Quick Reference Guide (this document)

### Related Components

- Savant® CLI-8000/CLI-8000A Eight Zone Centralized Thermostat Processing Unit
- Savant® CLI-PLEN1C - Commercial Type Plenum Sensor
- Savant® CLI-THFM1 - Remote Humidity/Temperature Smart Sensor
- Savant® CLI-SLAB1 - Remote SLAB or floor heating sensor
- Savant® SST-TEMP1 - Remote Indoor Temperature Sensor
- Savant® SST-OTEMP1 - Remote Outdoor Temperature Sensor

### CLI-PLEN1R



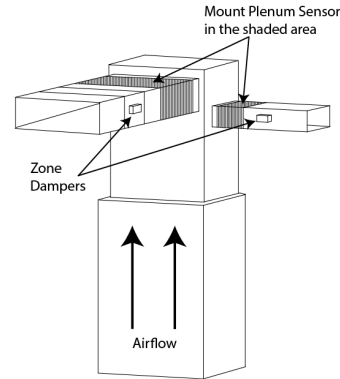
### Specifications

Environmental	
Temperature	32°F to 158°F (0° to 70°C)
Cable Requirements	
CAT-5 (24 AWG)	500 feet (152.4 m) maximum
Sensor Property & Features	
Temperature Range (Thermistor)	-94°F to 302°F (-70°C to 150°C)
Temperature Accuracy (Thermistor)	+/- 0.36°F (.2°C)
Probe Length	9 in (22.86 cm)
Probe Material	Stainless Steel
Probe Wire Length	9 in (22.86 cm)
Probe Wire Properties	FT4, 176°F (80°C), 600V
Compliance	
RoHS	Compliant

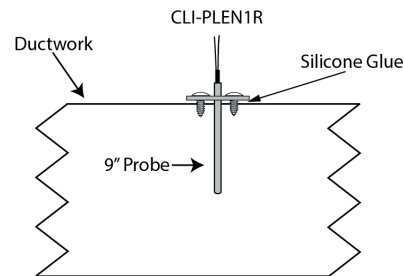
Copyright © 2014 Savant Systems, LLC. SAVANT and RacePoint Blueprint are trademarks of Savant Systems, LLC. All brand names, product names and trademarks are the property of their respective owners. Savant Systems, LLC reserves the right to change product specifications without notice.

### Install of Sensor into Ductwork

- Position the sensor between the evaporator coil in the furnace and the bypass zone dampers on one of the supply trunks. Refer to the diagram below. The sensor should be mounted in the shaded area in the diagram below.



- In the area selected, drill a 1/4" hole into the ductwork.
- Slide the sensor into the hole.
- Add a small amount of high temperature silicone glue to the inside of the flange that mounts to the ductwork. This will prevent any possible air leaks.
- Insert (2) #6 self-tapping screws (not included) through the holes in the flange and screw them into the ductwork. Refer to the diagram below.



### Connections at Sensor

- Connect the wires from the sensor to the preinstalled cabling using the Dolphin Splice Connectors enclosed in the install kit. There is no polarity observed here.

**Important Note:** It is recommended that the Dolphin Ratcheting Crimp Tool DR-4141 or DC-500F be used to terminate the connections.

### Connections at TPU

- Remove the four position screw terminal from the REMOTE SENSORS connection of any zone on the TPU. The Plenum sensor is supported on port 2 only.
- Loosen the screws located on the top of the connector till the silver crimp in the front opens enough to slide the wire from the sensor cables into the connector.
- Insert the wires from the sensor cables into the terminal block. No polarity is observed here.
- Turn the screws clockwise till the silver crimp clamps around the wire. Tug on the wire a bit to verify the wires are installed securely.
- Plug the terminal block back into its mate in the TPU.
- Configure the TPU to enable communications between the sensor and TPU.

**Note:** Refer to the Centralized Climate Control Deployment Guide on the Savant Portal for configuration information.

CLI-8000 = 009-1073-XX  
CLI-8000A = 009-1154-XX

### Additional Information

For additional information related to Climate Control, refer to the Savant Portal located at [dealers.savantsystems.com](http://dealers.savantsystems.com).

**Knowledge Base > Savant Hardware > Climate Control**