

Installation Instructions

Sliding Shower and Bath Doors

Record your model number:
Noter le numéro de modèle:
Anoté su número de modelo: _____

Français, page 28
Español, página 55

KOHLER®

Thank You for Choosing KOHLER

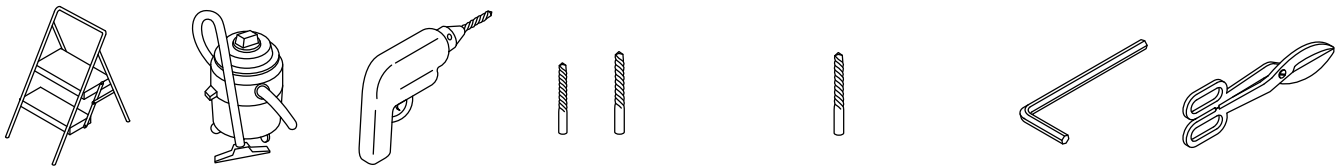
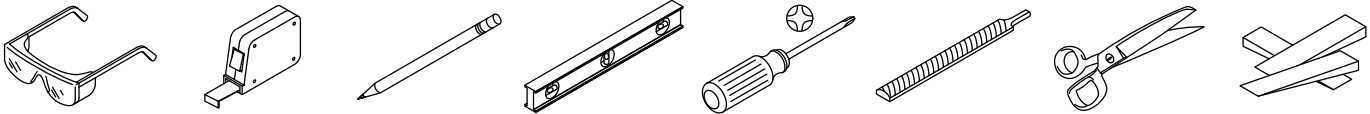
Need help? Contact our Customer Care Center.

- USA/Canada: 1-800-4KOHLER (1-800-456-4537) Mexico: 001-800-456-4537
- Service parts: kohler.com/serviceparts
- Care and cleaning: kohler.com/clean
- Patents: kohlercompany.com/patents

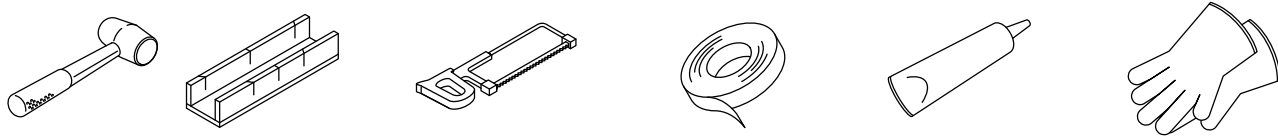
Warranty

This product is covered under the **KOHLER® Bath and Shower Doors Ten-Year Limited Warranty**, found at kohler.com/warranty. For a hardcopy of warranty terms, contact the Customer Care Center.

Tools and Materials










9/64", 5/16" 5/16" Masonry Bit for Tile 5/32" Tin Snips



Rubber Mallet Miter Box 32-Teeth Per Inch Blade Masking Tape 100% Silicone Sealant Protective Gloves

Before You Begin

-  **WARNING: Risk of serious injury.** Damage before installation can result in glass shattering. Inspect the glass and all parts for damage before installation.
-  **WARNING: Risk of serious injury.** Improper installation can result in glass shattering. Follow all installation instructions.
-  **WARNING: Risk of serious injury.** Do not cut tempered glass. Tempered glass will shatter if cut.
-  **WARNING: Risk of serious injury.** Shower door and side panels can shatter. Regularly inspect the glass and all parts for damage, missing, or loose parts.
-  **WARNING: Risk of serious injury.** Always wear safety glasses while cutting and drilling.
-  **CAUTION: Risk of personal injury.** Tempered glass should not contact hard surfaces or the tempered glass may shatter. Do not touch the edge of the tempered glass panel with tools or any hard objects.
-  **CAUTION: Risk of personal injury.** Tempered glass may shatter. Wear long sleeves or protective clothing to prevent injury in the event of shattered glass.

IMPORTANT! Leave this manual for the end user. Read all instructions before installing or using this product.

IMPORTANT! This door is designed to accommodate walls that are less than 3/8" (10 mm) out of plumb. Verify that the area that the door will be attached to is within 3/8" (10 mm) of plumb. The door may not function properly if the wall is more than 3/8" (10 mm) out of plumb.

Cover the drain with tape to prevent the loss of small parts.

Identify all parts before installation. Inspect for damage.

Identify the inside and outside panels by comparing the distance between the top edge of the glass and the roller mounting hole. The rollers on the inside panel are mounted lower than the outside panel.

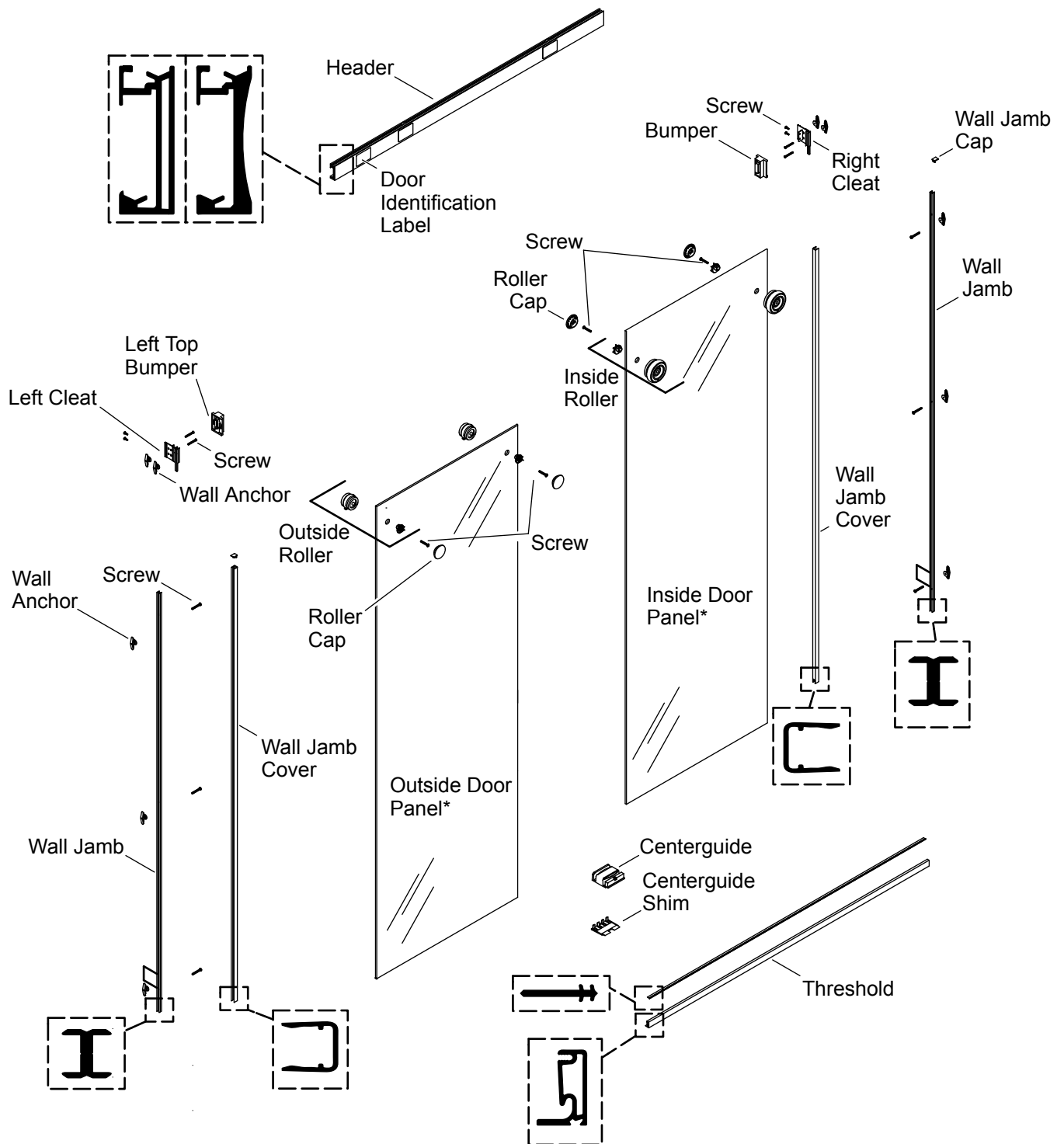
Follow the silicone sealant manufacturer's instructions for application and curing time.

Two people should perform this installation.

Your product may appear different from the one illustrated. The installation procedure is the same.

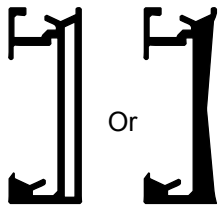
Watch this installation online; visit kohler.com and search for your product number.

Parts Identification



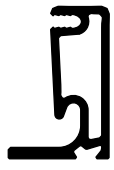
See online service parts page for towel bar, handle, and all available service parts.

Parts List

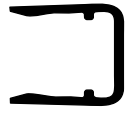


Or

Header (Qty 1)



Threshold (Qty 1)



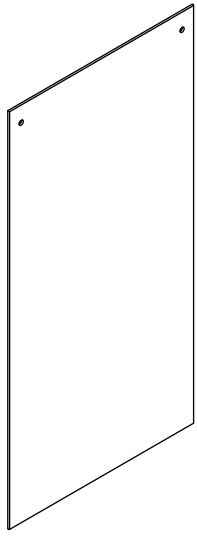
Wall Jamb Cover (Qty 2)



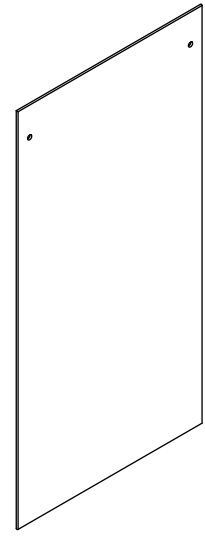
Wall Jamb (Qty 2)



Threshold Seal (Qty 1)

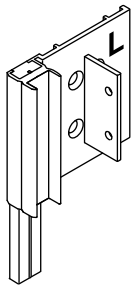


Outside Panel (Qty 1)

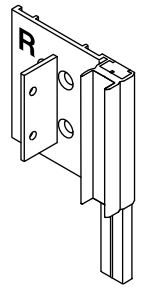


Inside Panel (Qty 1)

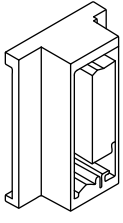
Hardware Kit



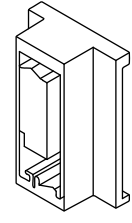
Left Cleat (Qty 1)



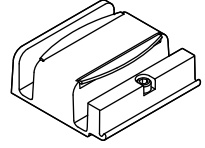
Right Cleat (Qty 1)



Left Bumper (Qty 1)



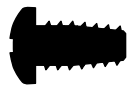
Right Bumper (Qty 1)



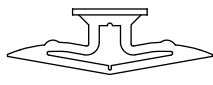
Centerguide (Qty 1)



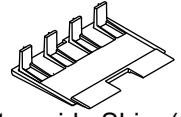
8-18 x 1-1/2" Screw (Qty 10)



8-18 x 3/8" Screw (Qty 4)



Wall Anchor (Qty 10)

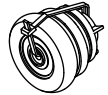


Centerguide Shim (Qty 1)

Roller Pack



Roller Cover (Qty 4)



Inside Roller (Qty 2)



Outside Roller (Qty 2)

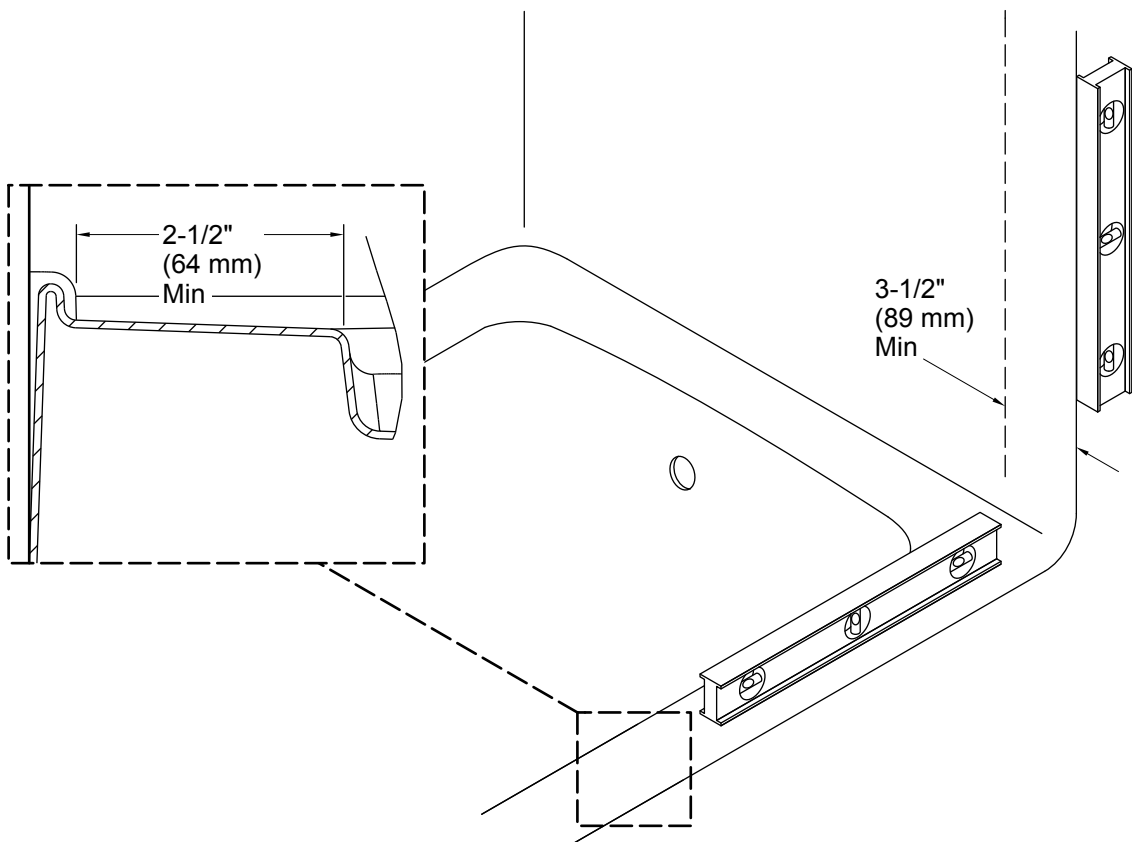


Wall Jamb Covers (Qty 2)



M5-0.8 x 32 mm Screw (Qty 2)

1. Confirm Ledge and Wall Compatibility



IMPORTANT! For proper door alignment and operation, confirm that the shower base/bath ledge and walls meet the following requirements. Do not install the door if these requirements are not met.

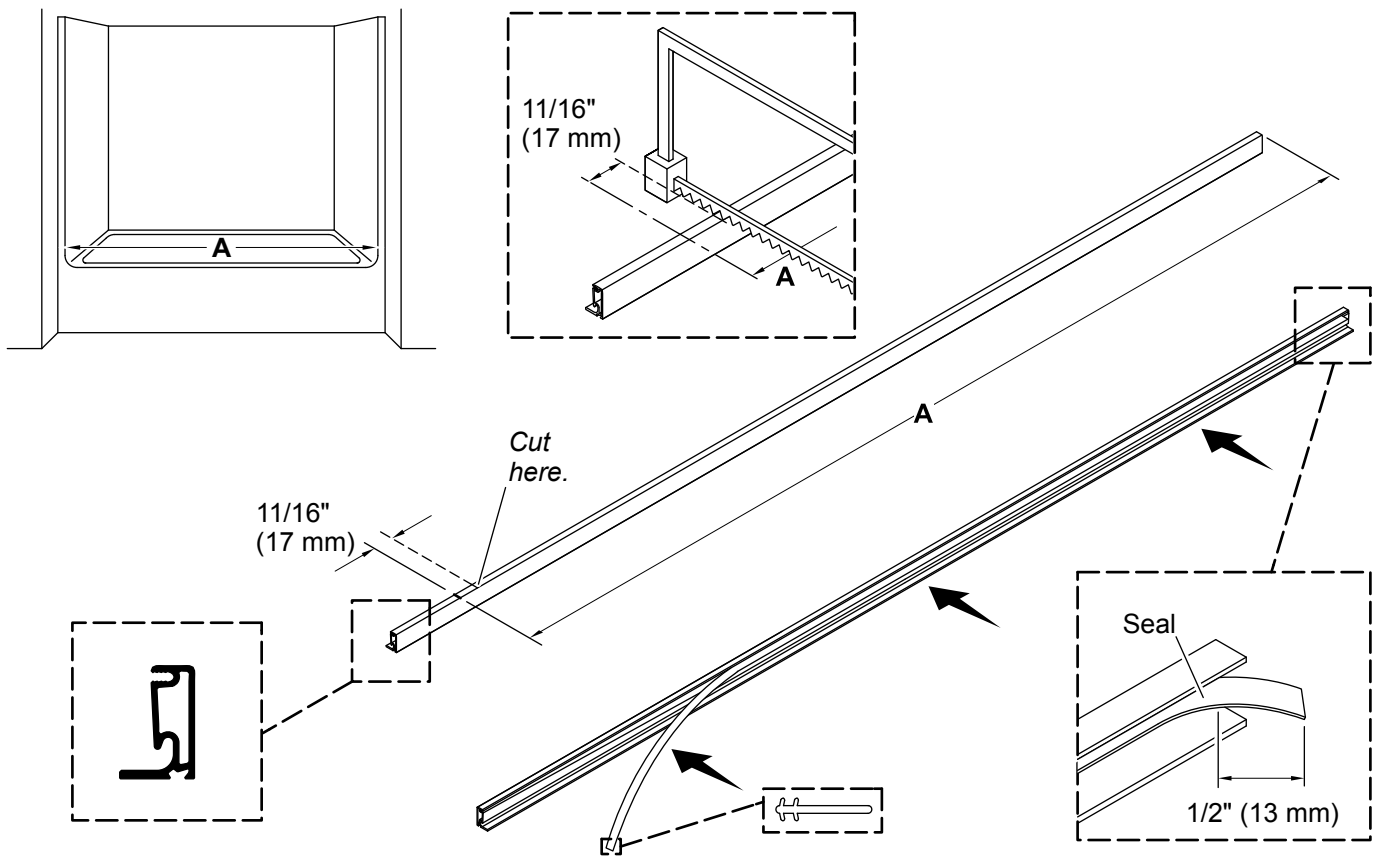
There must be at least 2-1/2" (64 mm) of flat surface on the shower base/bath ledge.

There must be at least 3-1/2" (89 mm) of flat surface on the shower/bath walls.

Walls must be within 3/8" (10 mm) of plumb.

The shower base/bath ledge must be level between the walls.

2. Measure and Cut the Threshold



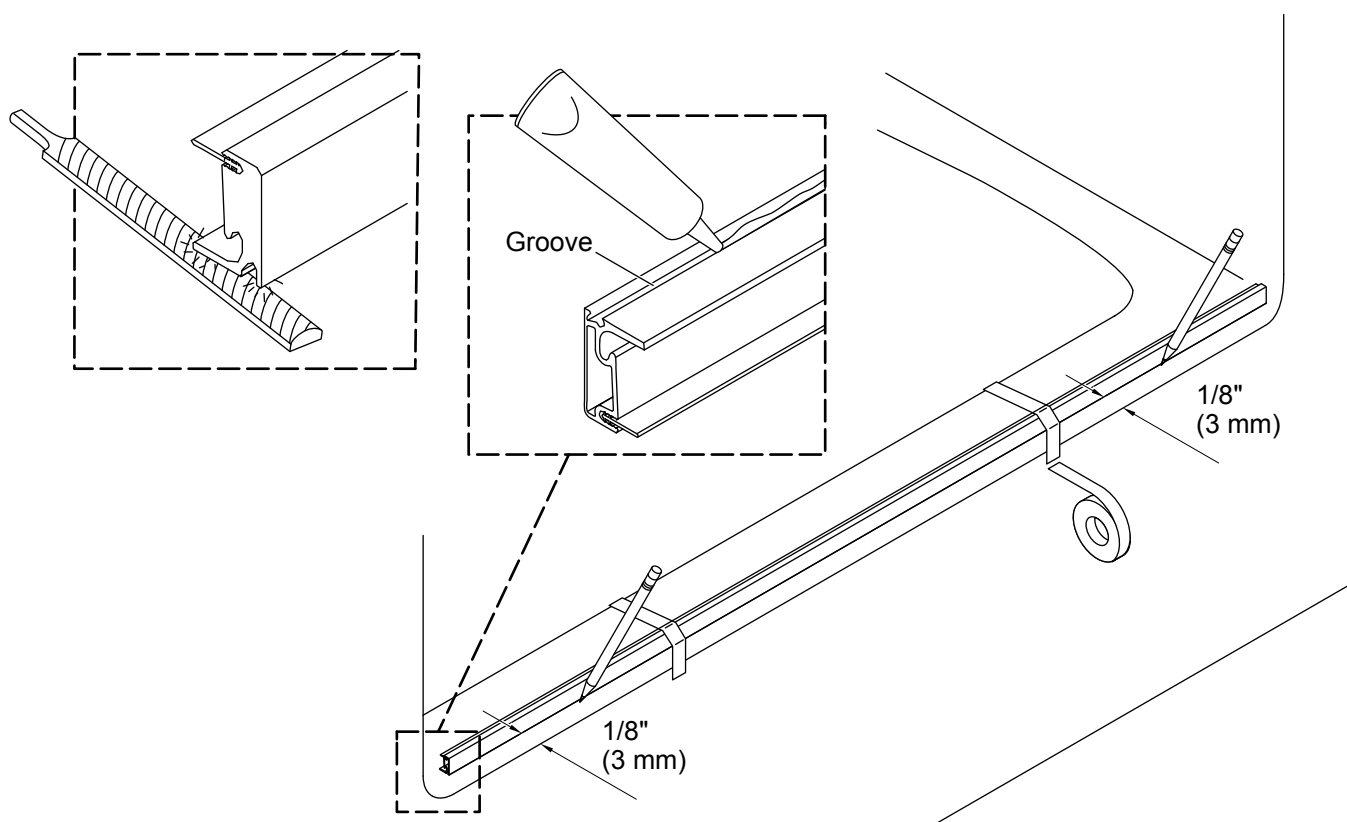
⚠ WARNING: Risk of serious injury. Always wear safety glasses while cutting and drilling.

- Use a drop cloth to protect the shower surface.
- Measure distance "A" between the shower walls and mark the distance on the threshold.
- Measure 11/16" (17 mm) from "A" and make a second mark on the threshold, as shown.
- Cut the threshold at the second mark and file any rough edges.

IMPORTANT! The seal must be installed with at least 1/2" (13 mm) extending beyond each end of the threshold. The seal will be cut to fit after the threshold has been installed.

- Press the seal into the channel in the threshold, leaving approximately 1/2" (13 mm) extending beyond the end of the threshold. Wetting the seal will help ease the installation of the seal.

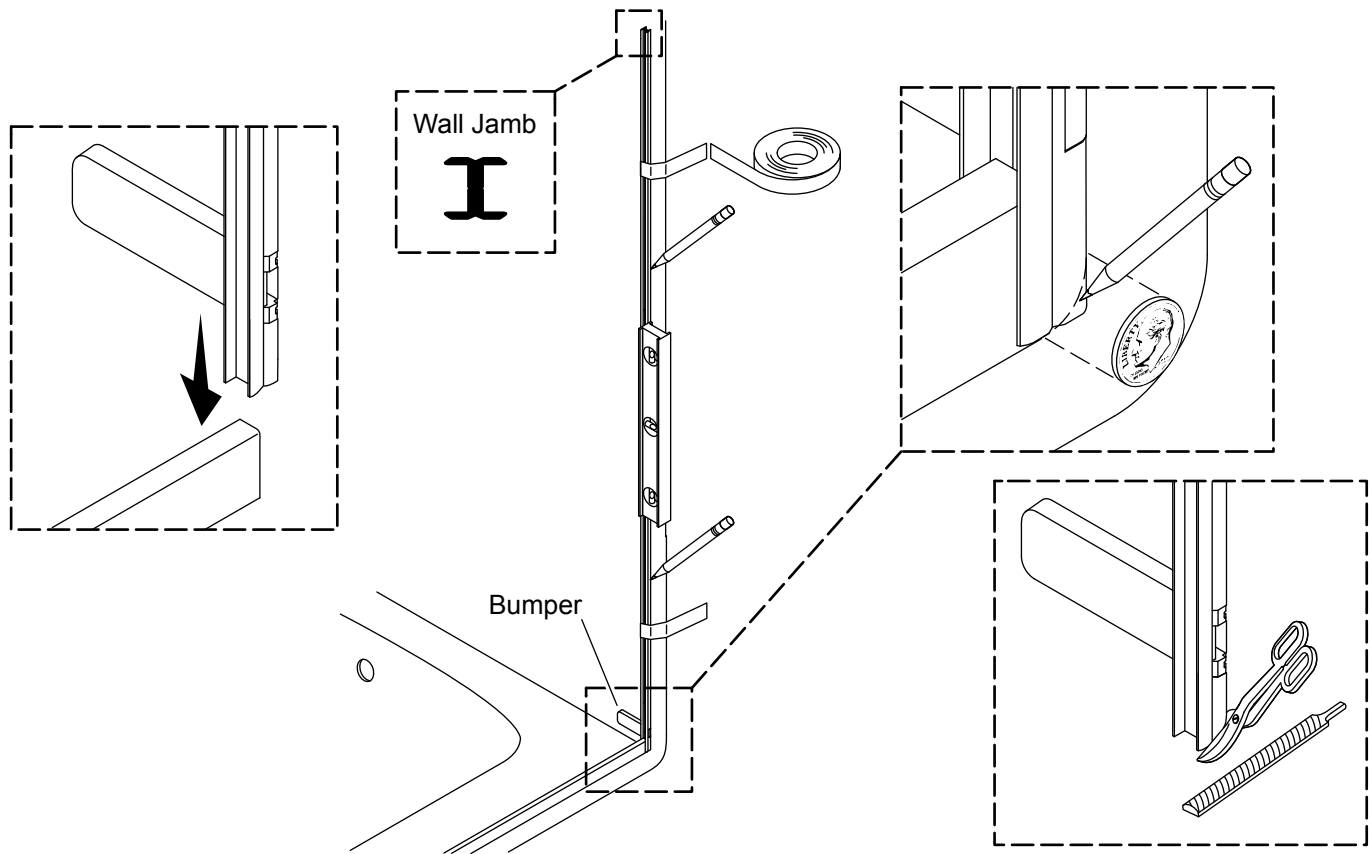
3. Position the Threshold



NOTICE: The threshold must sit on a flat surface.

- If needed, file the ends of the threshold to match the corner radius of the shower wall.
- If the shower base/bath ledge is flat, align the threshold 1/8" (3 mm) from the shower base/bath ledge along the entire length and mark the location. If the shower base/bath ledge has a raised lip, then align the threshold 1/8" (3 mm) from the back of the raised lip along the entire length and mark the location.
- Apply 100% silicone sealant into the groove(s) on the bottom of the threshold.
- Tape the threshold securely in place along the mark, centered between the walls.

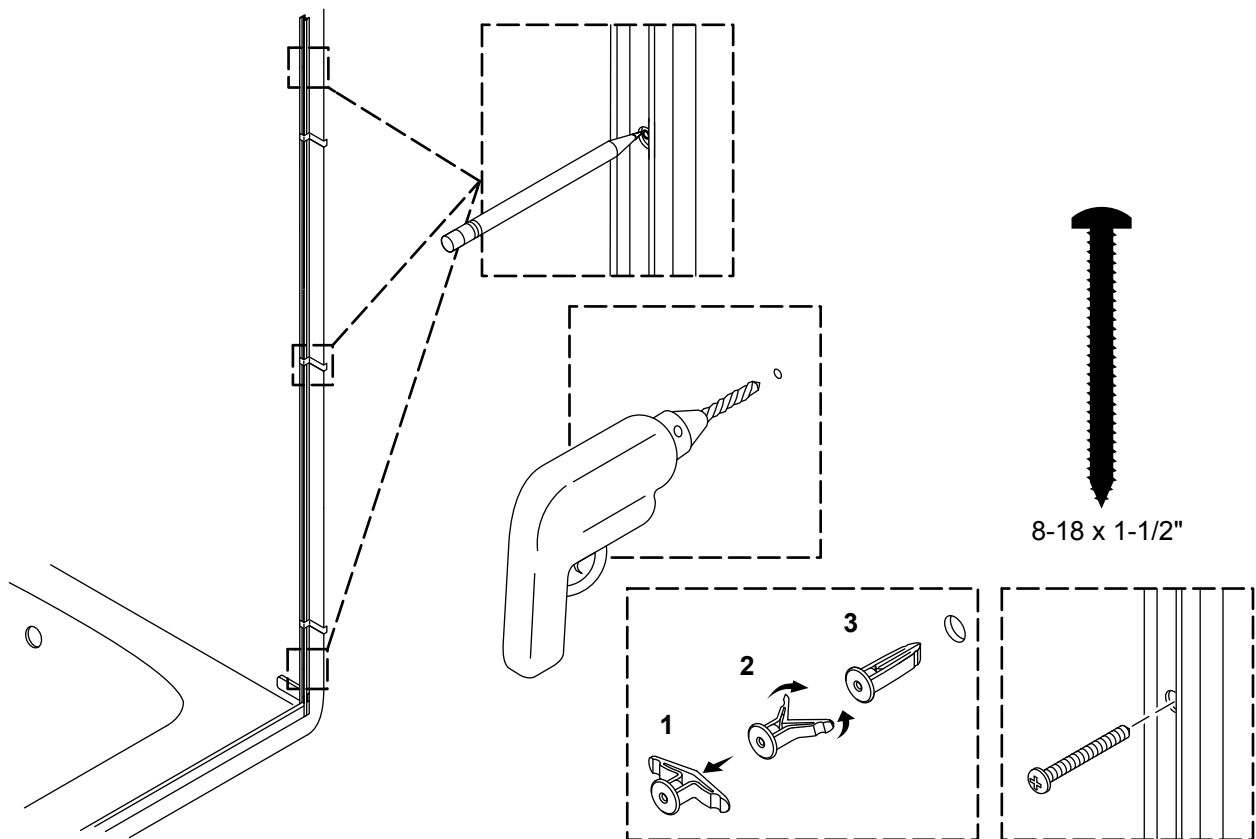
4. Prepare the Wall Jambs



IMPORTANT! The wall jamb must fit tightly against the threshold and wall.

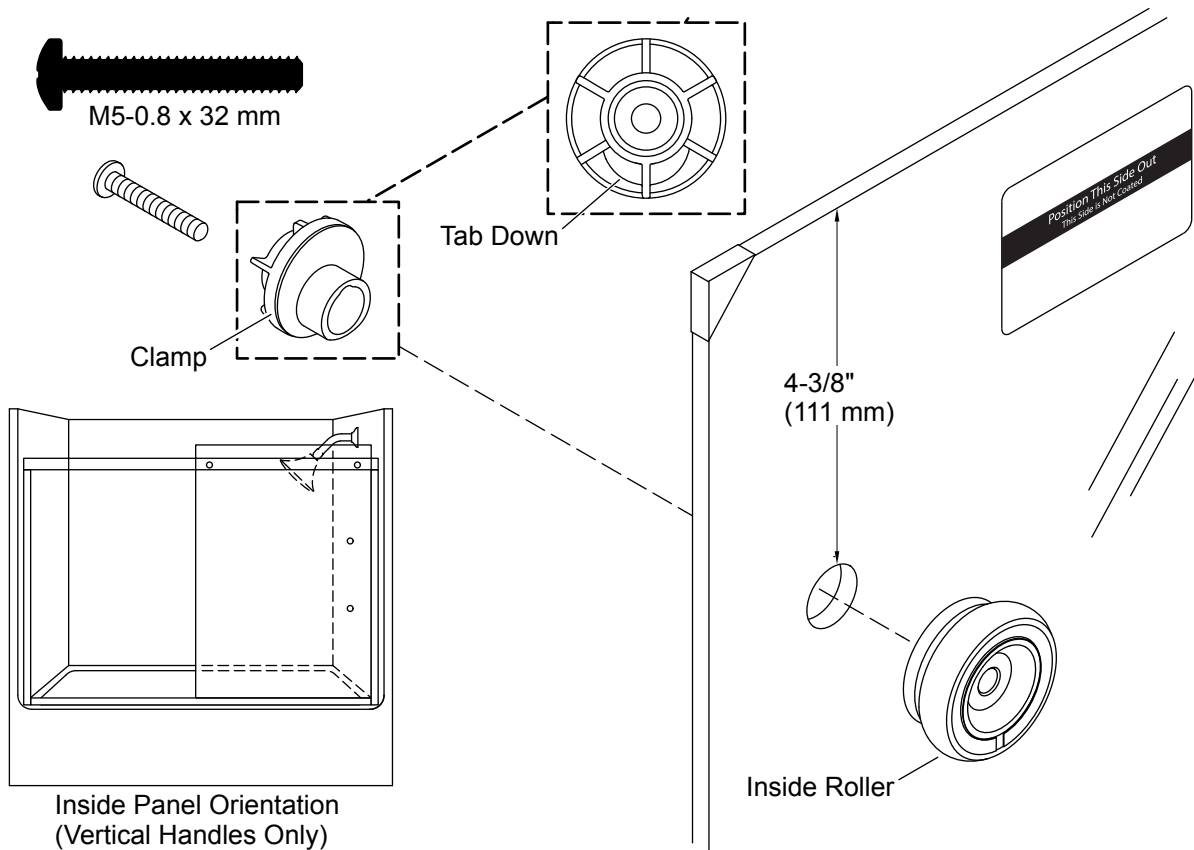
- Position the wall jamb on the threshold, against the wall, with the bumper pointing into the shower.
- If needed, shape and file the bottom corner to fit against the shower wall. Use a coin to match and transfer the corner radius.
- Plumb the wall jamb.
- Tape the wall jamb securely in place and mark the wall jamb location.
- Repeat for the second wall jamb.
- Verify that the threshold is parallel with the front of the shower base/bath ledge.

5. Install the Wall Jambs



- Mark the anchor hole locations on each wall jamb with a pencil or drill bit.
- Remove both wall jambs and set the wall jambs aside.
- Drill a 5/16" hole at each marked location. Use a masonry bit for tile walls.
- Install the provided wall anchors. If necessary, gently tap the anchors until the anchors are flush against the wall.
- Thoroughly clean the shower base and walls.
- Reposition the wall jamb, aligning with the anchor holes. Verify that the wall jamb is plumb.
- Secure the wall jamb with three #8-18 x 1-1/2" screws.
- Repeat for the second wall jamb.

7. Assemble the Inside Panel



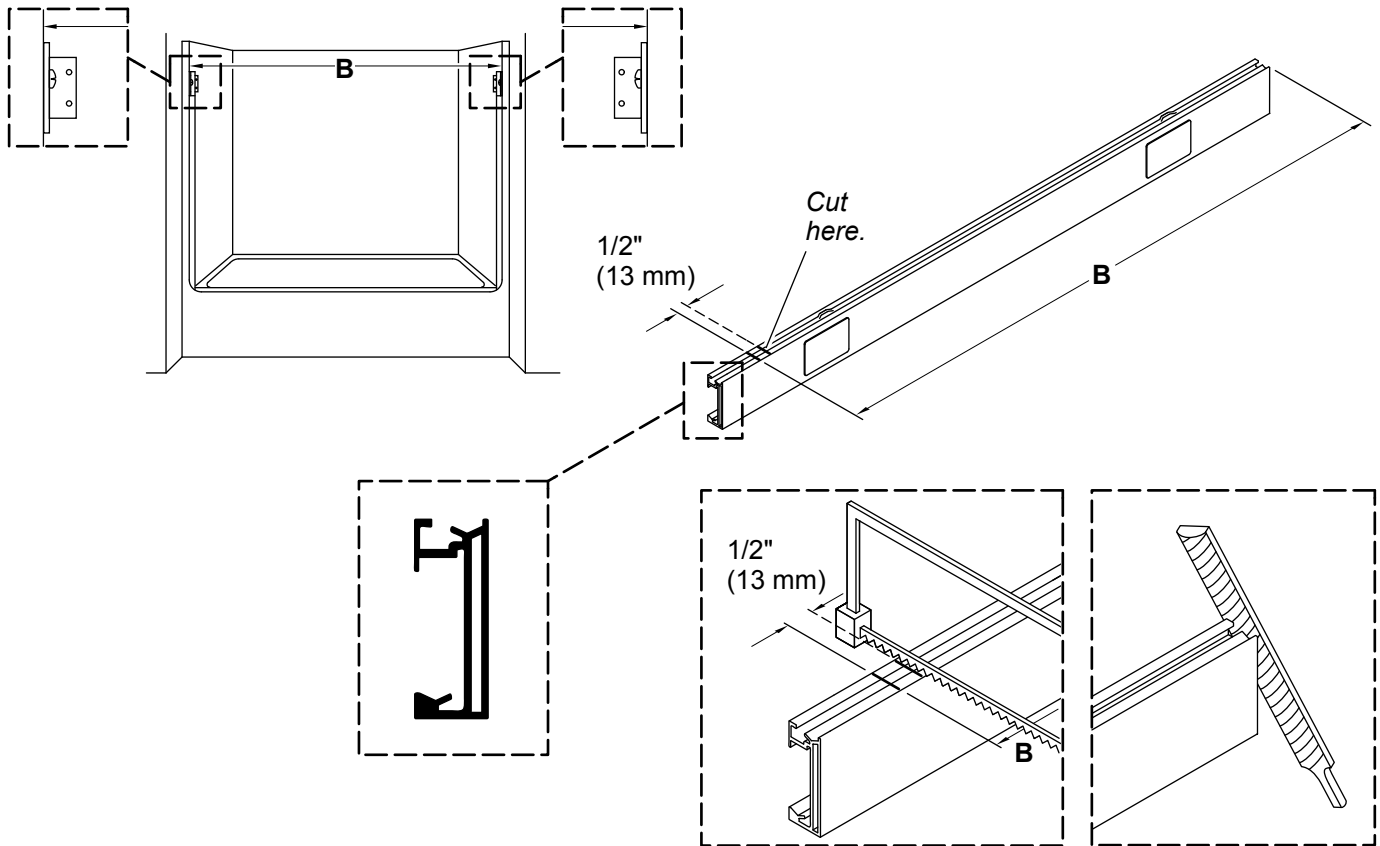
CAUTION: Risk of product damage. Leave the corner protectors on the glass until the sliding glass panel is installed. Verify that the shower surface is protected with a drop cloth.

NOTICE: The inside panel roller mounting holes are 4-3/8" (111 mm) below the top of the panel.

NOTICE: Doors with vertical handles will have CleanCoat+ on both sides of the glass. These panels will not have a CleanCoat+ label on them.

- For a door with towel bars:** Move the inside panel into the shower area with the label facing the outside of the shower.
- For a door with vertical handles:** Move the inside panel into the shower area with the handle holes located toward the showerhead.
- Install each inside roller on the outside of the panel with the tab pointing down to position the door at the lowest setting.
- Secure each roller with a provided M5-0.8 x 32 mm screw.
- Using a hand screwdriver only, securely tighten the screws.

8. Measure and Cut the Header

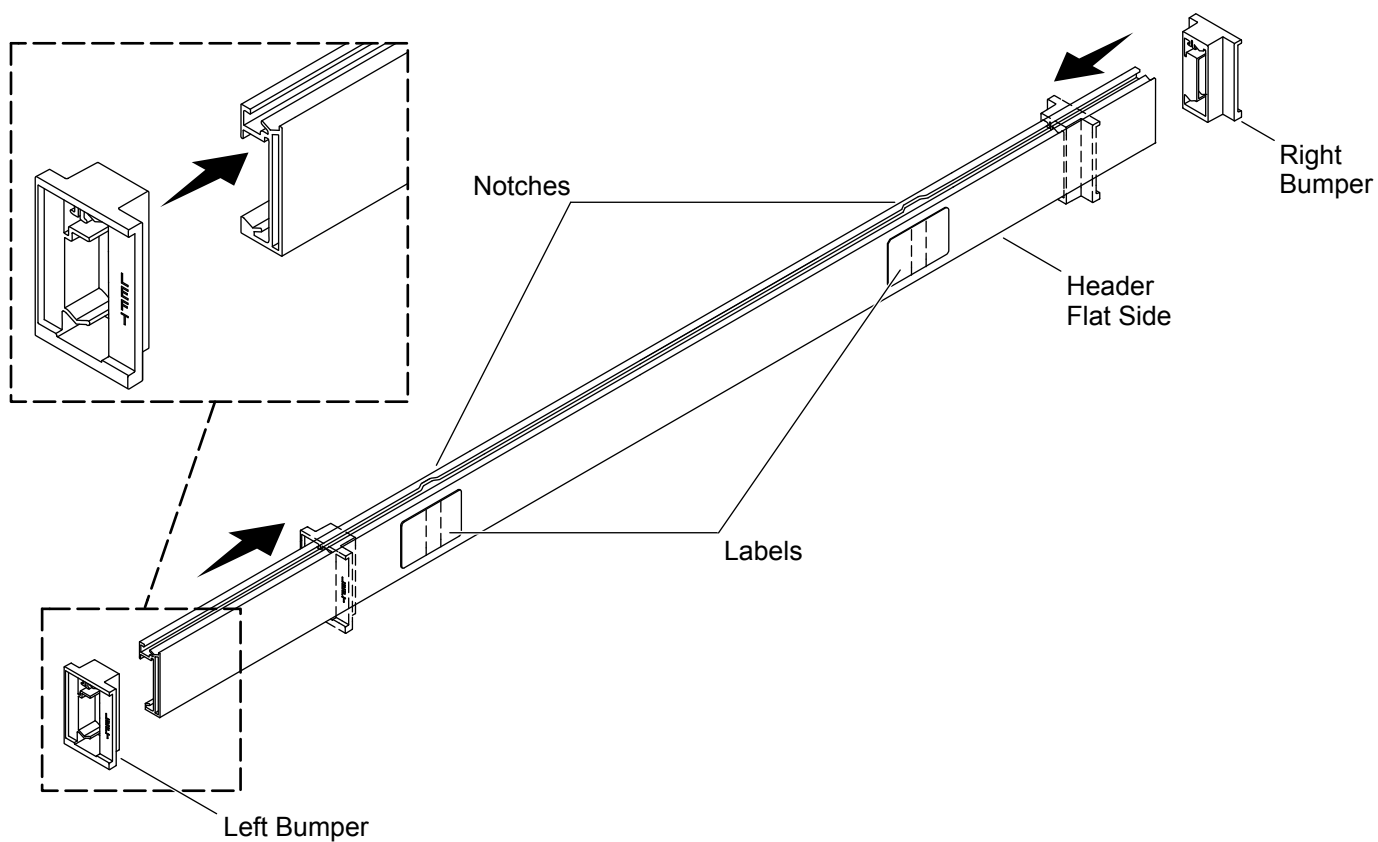


IMPORTANT! Confirm your measurements before cutting. Do not cut the header too short.

NOTE: The header in the image may appear different than the one supplied. The installation steps remain the same.

- Measure distance “B” between the shower walls and mark the distance on the header.
- Measure 1/2" (13 mm) from “B” and make a second mark on the header, as shown.
- Cut the header at the second mark.
- File any rough edges and clean debris from the roller tracks.

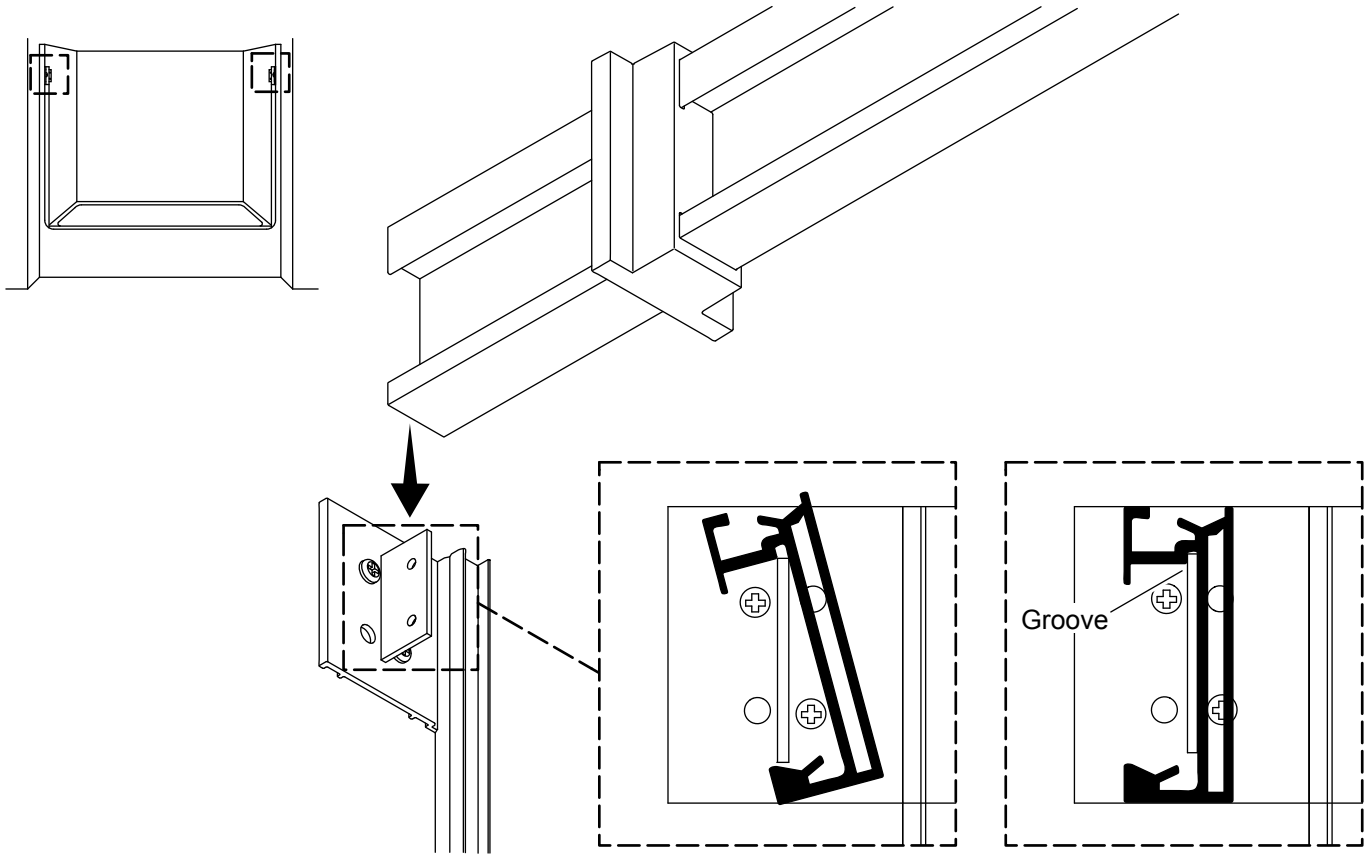
9. Install the Bumpers to the Header



NOTICE: The words "LEFT" and "RIGHT" are molded into the bumpers.

- Locate the labels on the header and observe how they align with the notches on top.
- With the labels on the header facing you, identify the left and right ends of the header.
- Slide the appropriate bumper onto each end of the header, as shown.

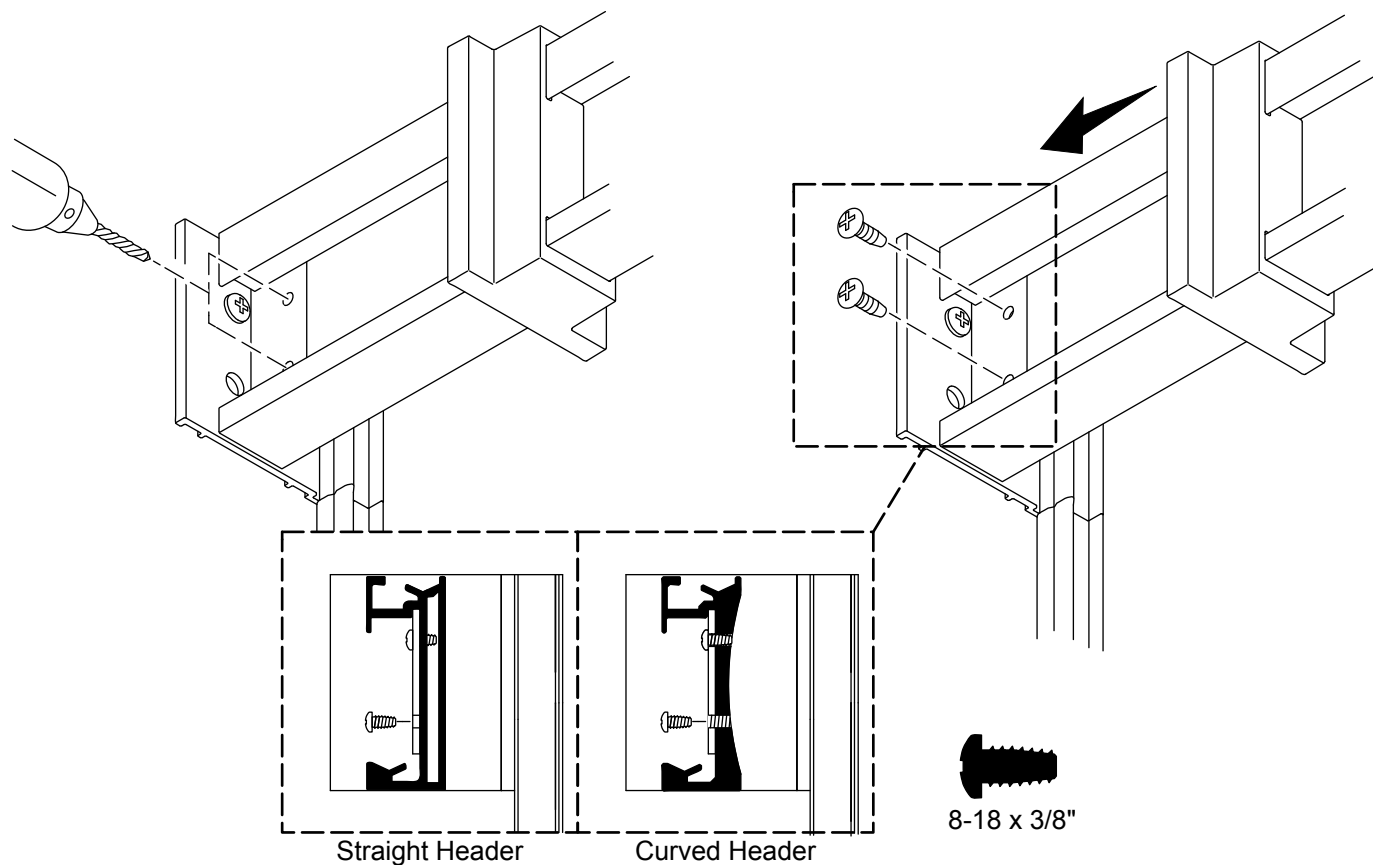
10. Position the Header



NOTICE: The labels on the header must face the outside of the shower.

- Verify that the inside panel is in the shower area before installing the header.
- From inside the shower, raise the header above the cleats.
- Tilt the header and lower the header onto the cleats, as shown.
- Verify that the top of the header is properly hooked onto the cleats, as shown.
- Rotate the header in place, flat against the cleats.

11. Secure the Header



CAUTION: Risk of personal injury. Position hands away from the drilling locations when drilling through the header.

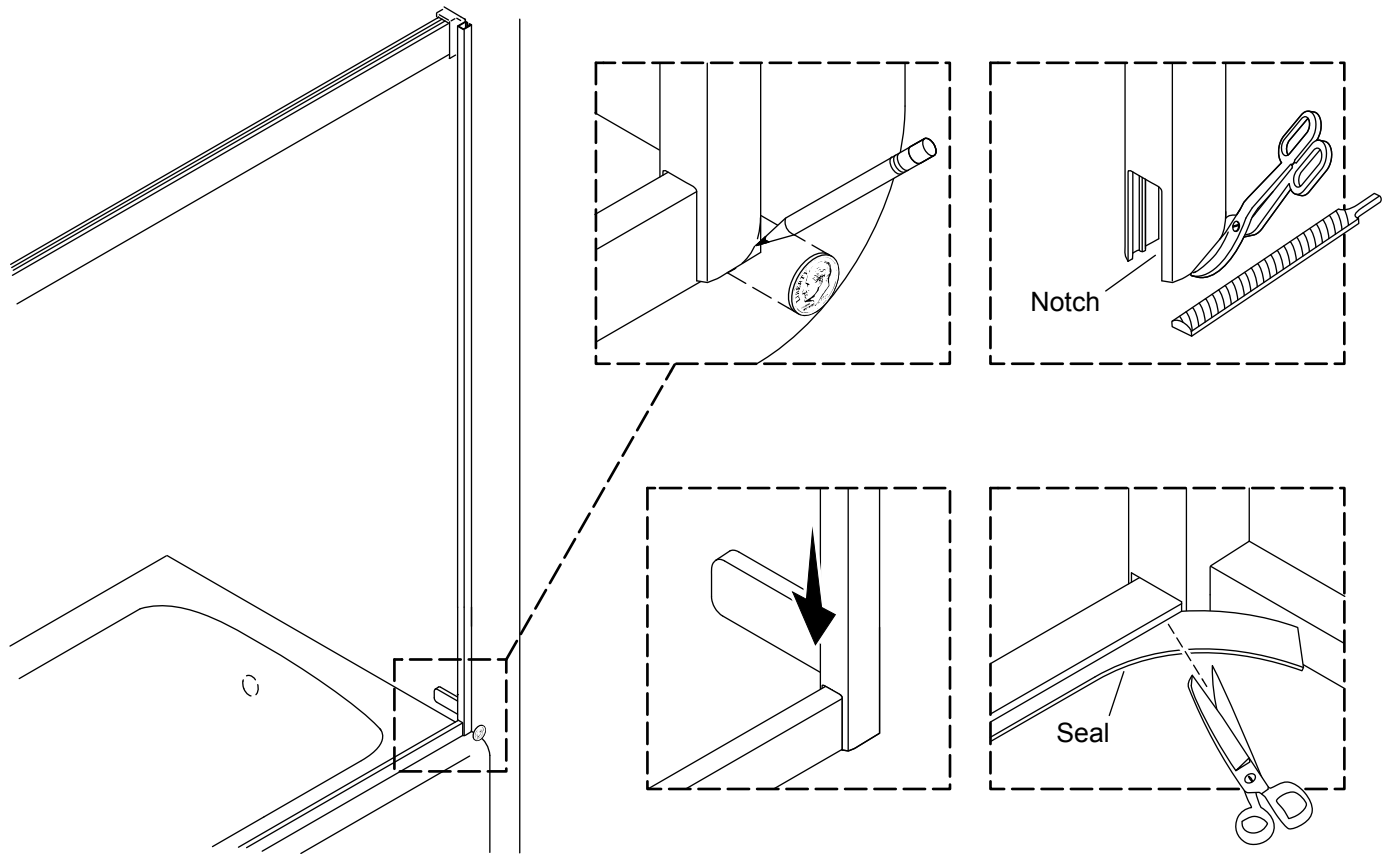
CAUTION: Risk of product damage. When securing the straight header to each cleat, do not drill through the second wall of the header.

NOTE: The screws will protrude through the back of the curved header. The bumpers will cover these screws.

NOTE: If the wall shape interferes with drilling holes in the header, use the cleat as a template to mark the hole locations, remove the header, drill the holes, and then reattach header.

- From inside the shower, drill two 9/64" holes through the header using the cleats as a template.
- From inside the shower, secure the header to each cleat with two #8-18 x 3/8" self-drilling screws.
- Carefully and thoroughly clean the header. Verify that there is no debris in the roller tracks.
- Slide the bumpers flush against each wall.

12. Install the Wall Jamb Covers

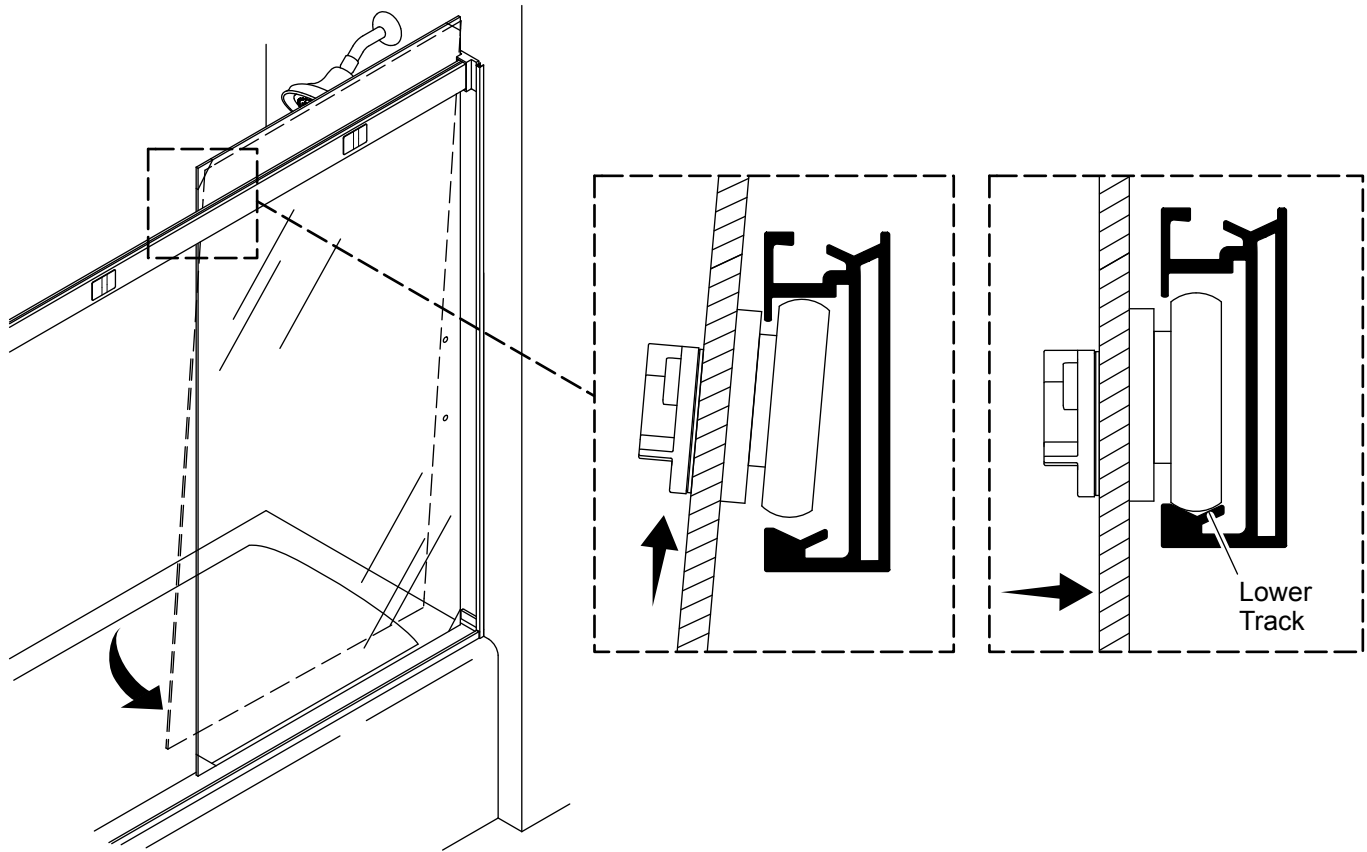


- If needed, shape and file the bottom corner of the wall jamb cover to match the corner radius of the shower wall.
- Repeat for the second wall jamb cover.
- Position the notch in the wall jamb cover over the threshold.
- Press the wall jamb cover onto the wall jamb.

NOTICE: The wall jamb covers will not sit flush against the wall.

- Repeat for the second wall jamb cover.
- Trim the threshold seal flush with the wall jamb covers.

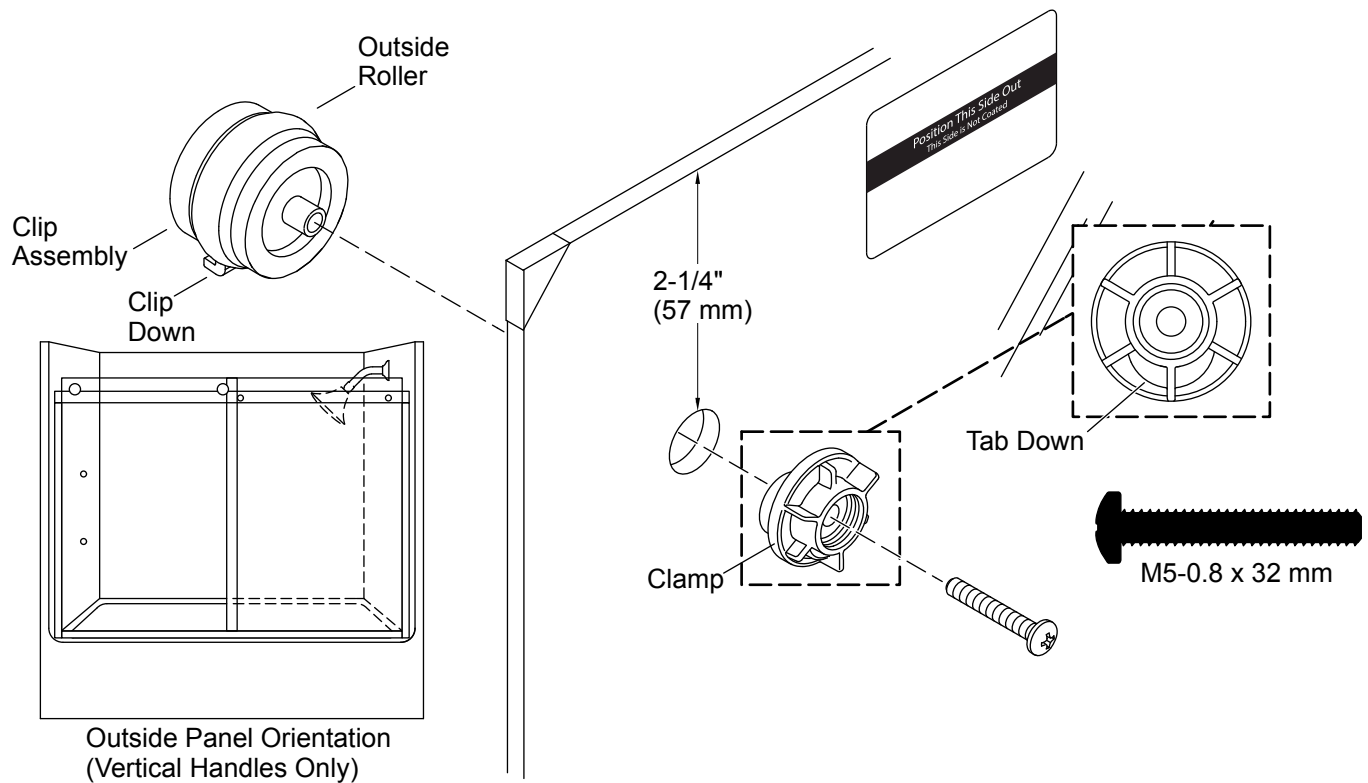
13. Install the Inside Panel



NOTE: The rollers face the outside of the shower. If the panel has a label, the label should face the outside of the shower. If the panel has vertical handle holes, verify that the holes are toward the showerhead.

- With help, from inside the shower, tilt the panel to position the tops of the rollers inside the header. Rest the rollers on the lower track of the header and set the panel in place.
- Verify that the panel can roll back and forth smoothly. If necessary, adjust the rollers according to the instructions in the "Adjust the Rollers" section.

14. Assemble the Outside Panel

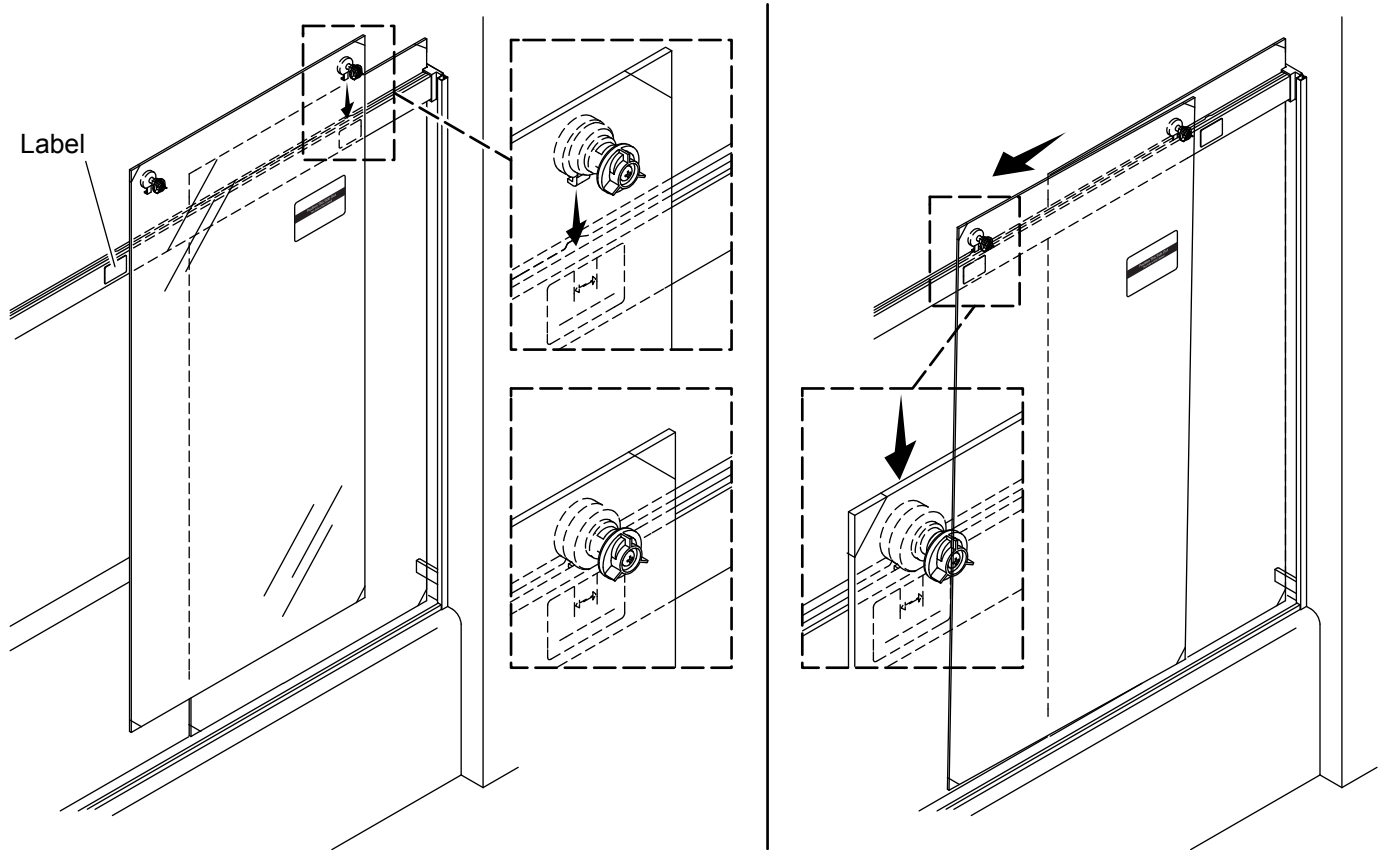


NOTICE: The outside panel roller mounting holes are 2-1/4" (57 mm) below the top of the panel.

NOTICE: Doors with vertical handles will have CleanCoat+ on both sides of the glass. These panels will not have a CleanCoat+ label on them.

- For a door with towel bars:** Position the rollers on the inside of the panel opposite the label.
- For a door with vertical handles:** Position the rollers on the inside of the panel so the handle holes are located opposite the showerhead.
- Install the outside rollers with the tab on the clamp down. This will position the door in the lowest setting.
- Secure each roller with a provided M5-0.8 x 32 mm screw.
- Hold the clip downward as the screw is tightened.
- Using a hand screwdriver only, tighten the screws securely until the clip cannot be rotated by hand.

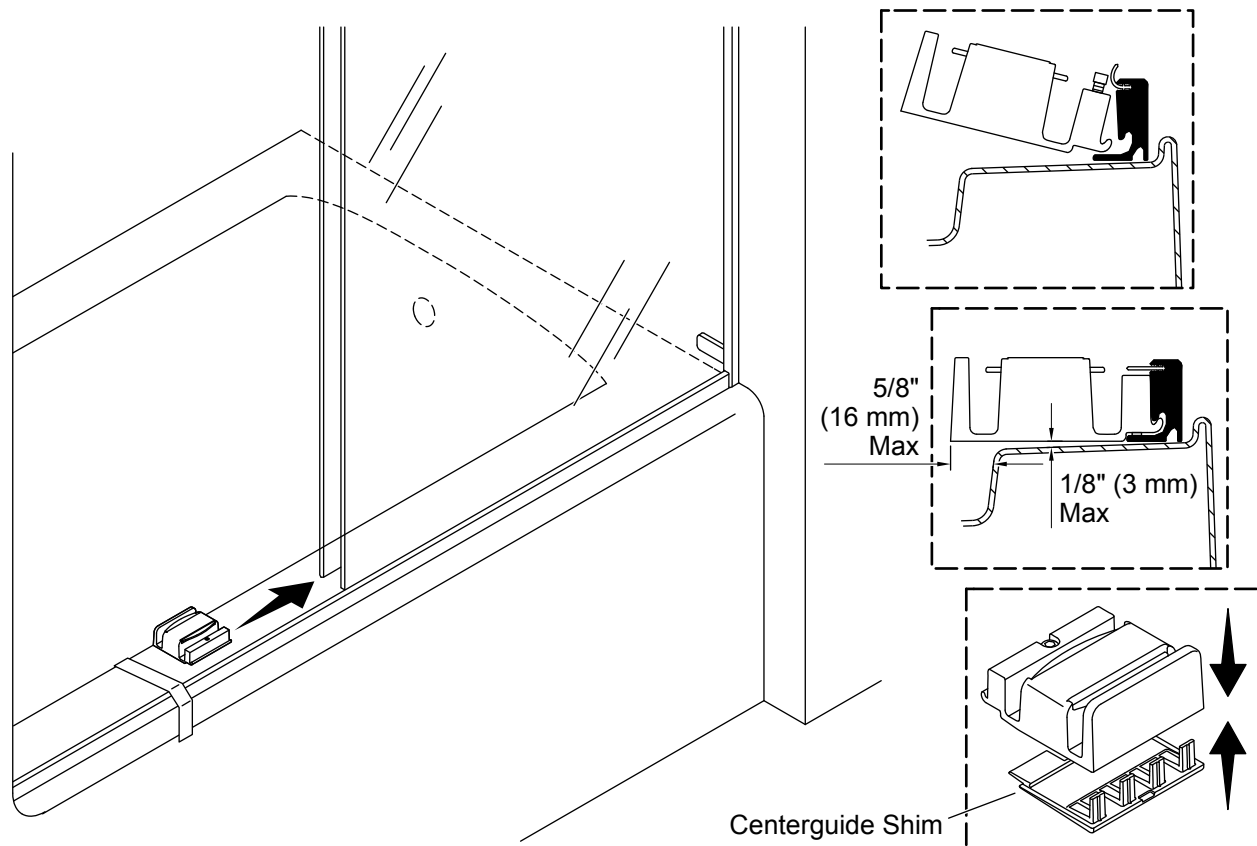
15. Install the Outside Panel



NOTICE: Locate the notches on the header, which are aligned with the “Panel Installation Area” labels.

- With help, from outside the shower, lift the panel, align one roller clip with a notch, and set the roller on the roller track.
- Lift the opposite end of the panel so the second roller is above the header. Slide the panel to align the second roller clip with the second notch. Set the roller onto the roller track.

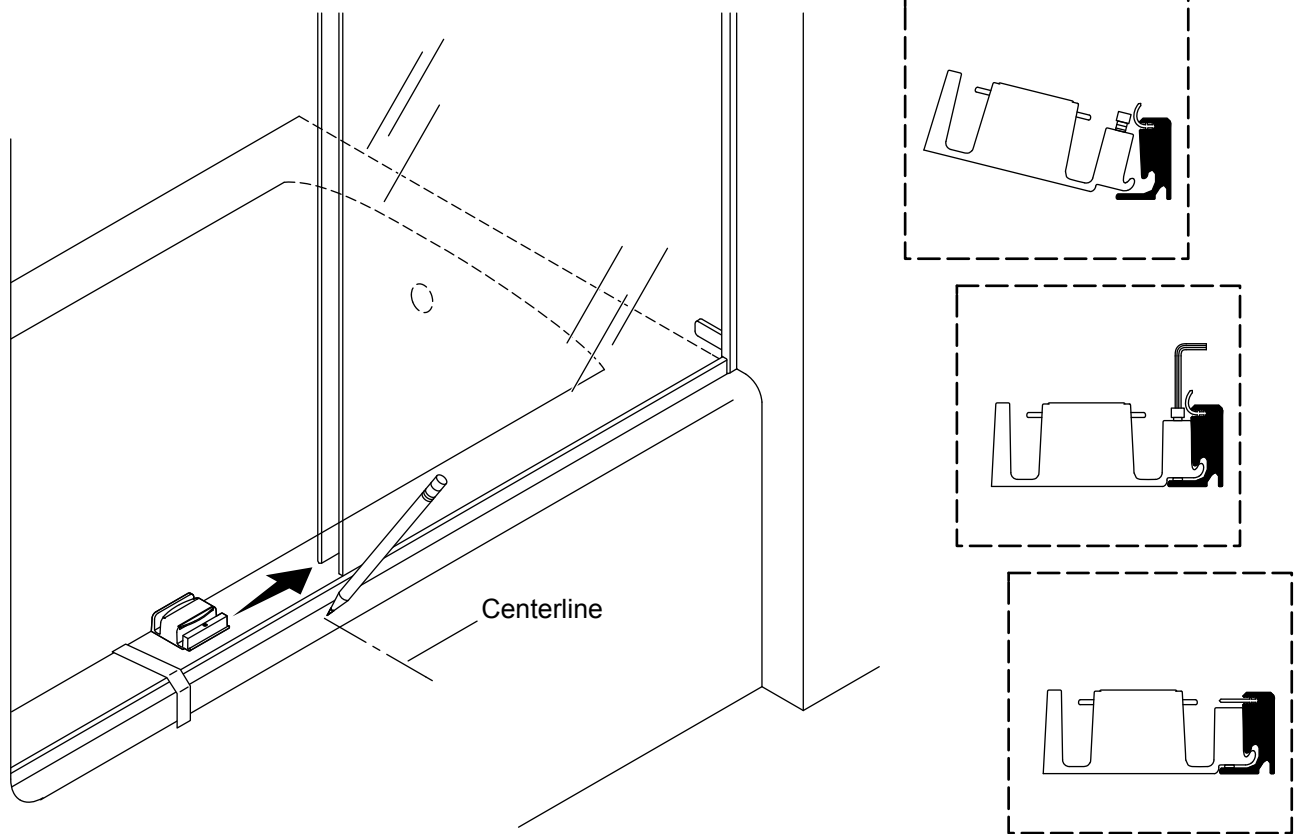
16. Install the Centerguide Shim



IMPORTANT! If the centerguide overhangs the threshold by more than 5/8" (16 mm), the door cannot be installed.

- Slide both door panels to one end of the shower.
- Rotate the centerguide into place in the threshold groove, as shown.
- Verify the position of the centerguide on the threshold.
- If the centerguide does not overhang the threshold and does not have a gap between the centerguide and the threshold, then proceed the "Install the Centerguide" section.
- If the centerguide overhangs the threshold by 5/8" (16 mm) or less, or if there is a gap of 1/8" (3 mm) or less between the centerguide and the threshold, then press the provided shim onto the bottom of the centerguide.
- If the shim needs to be removed, insert a flat head screwdriver into the slot between the shim and the centerguide and twist to separate.

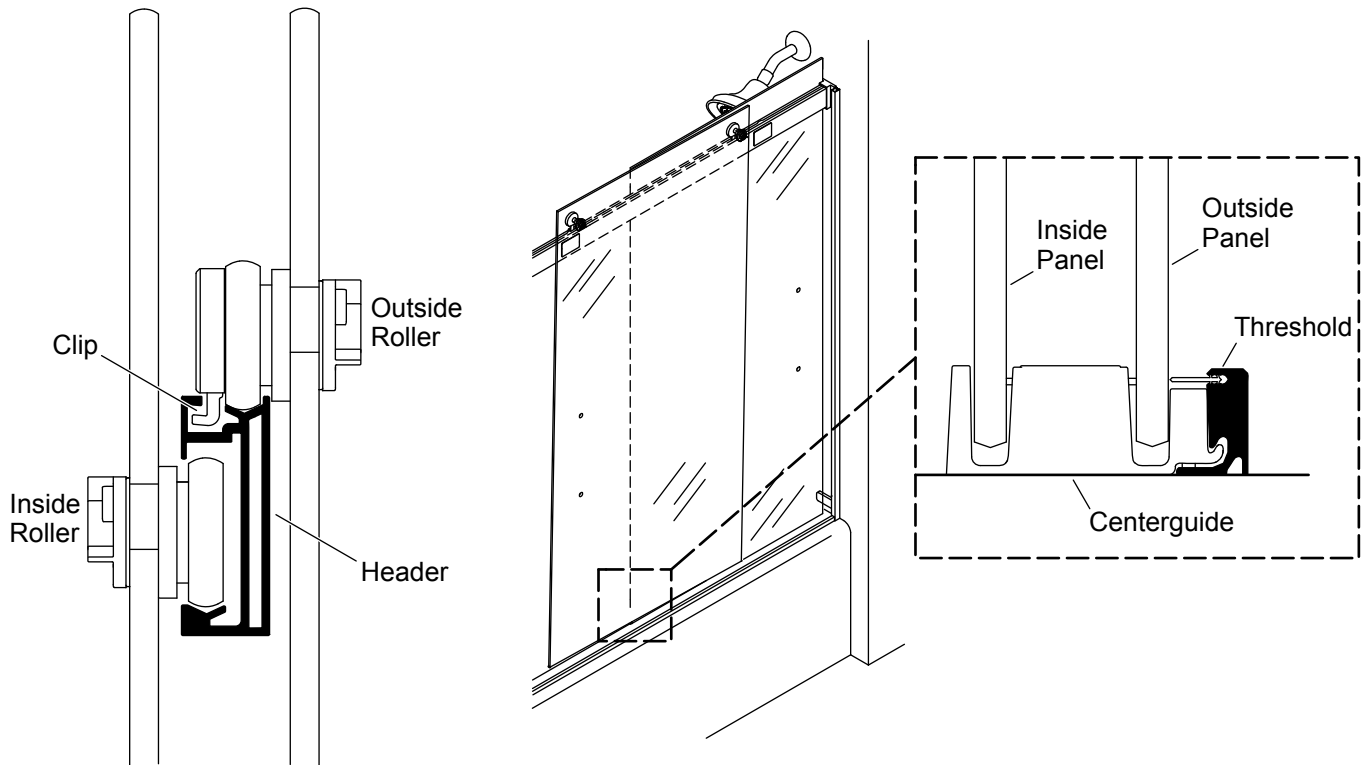
17. Install the Centerguide



IMPORTANT! The centerguide must be fully seated behind the threshold lip as shown.

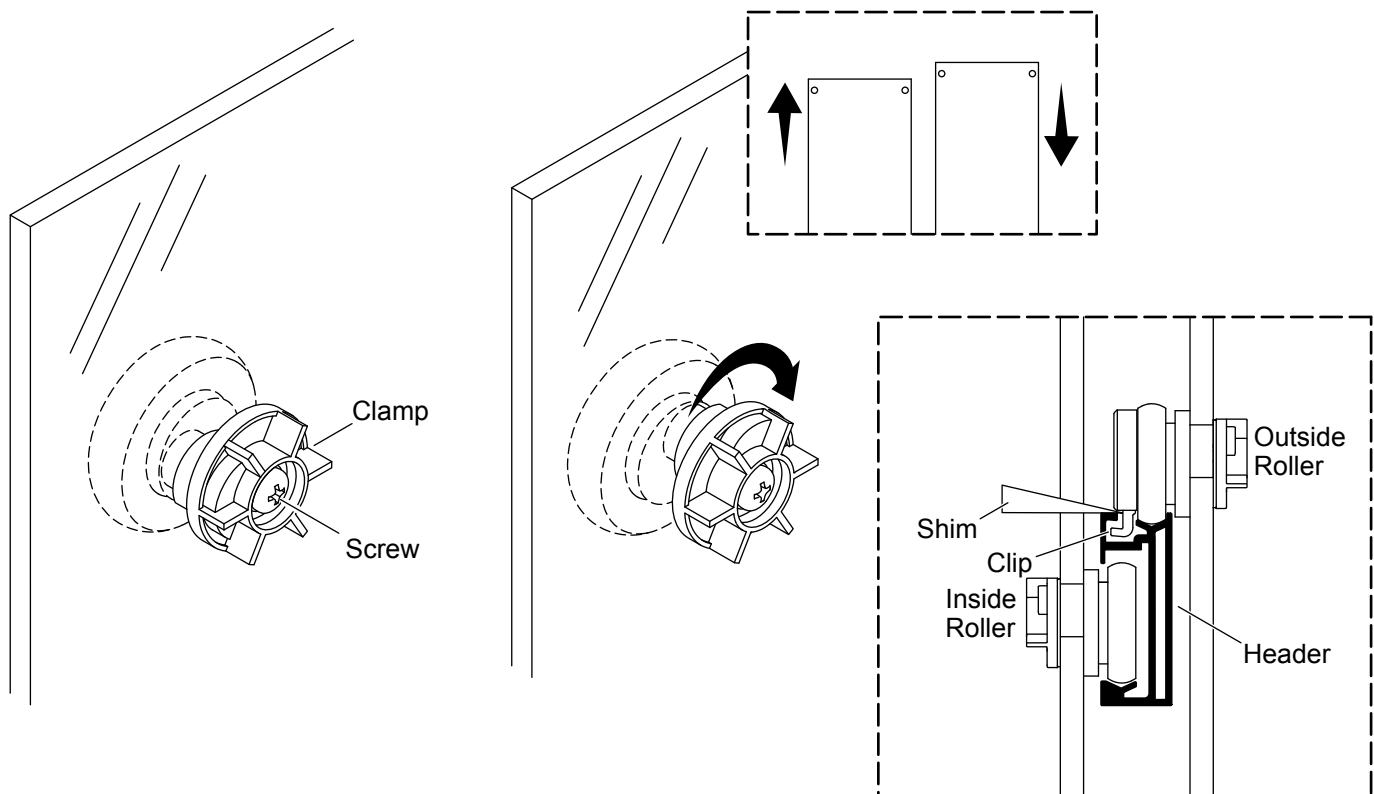
- Slide both door panels to one end of the shower.
- Measure and mark the centerline of the threshold on the outside of the shower base/bath ledge.
- Rotate the centerguide into place in the threshold groove, as shown.
- Shift the centerguide along the threshold until the screw aligns with the centerline mark.
- Slide the door panels into the centerguide channels.
- Lift the threshold seal to access the screw.
- Handtighten the screw with a 5/32" hex wrench, then tighten an additional one-half turn.

18. Confirm Correct Installation



- Verify that all rollers are engaged in the header tracks.
- The tops of the inside rollers should be inside the header.
- The clips on the outside rollers should be engaged inside the top edge of the header. They should not be visible.
- The bottoms of the door panels must be engaged in the centerguide channels.
- The centerguide must be securely attached to the threshold.

19. Adjust the Rollers

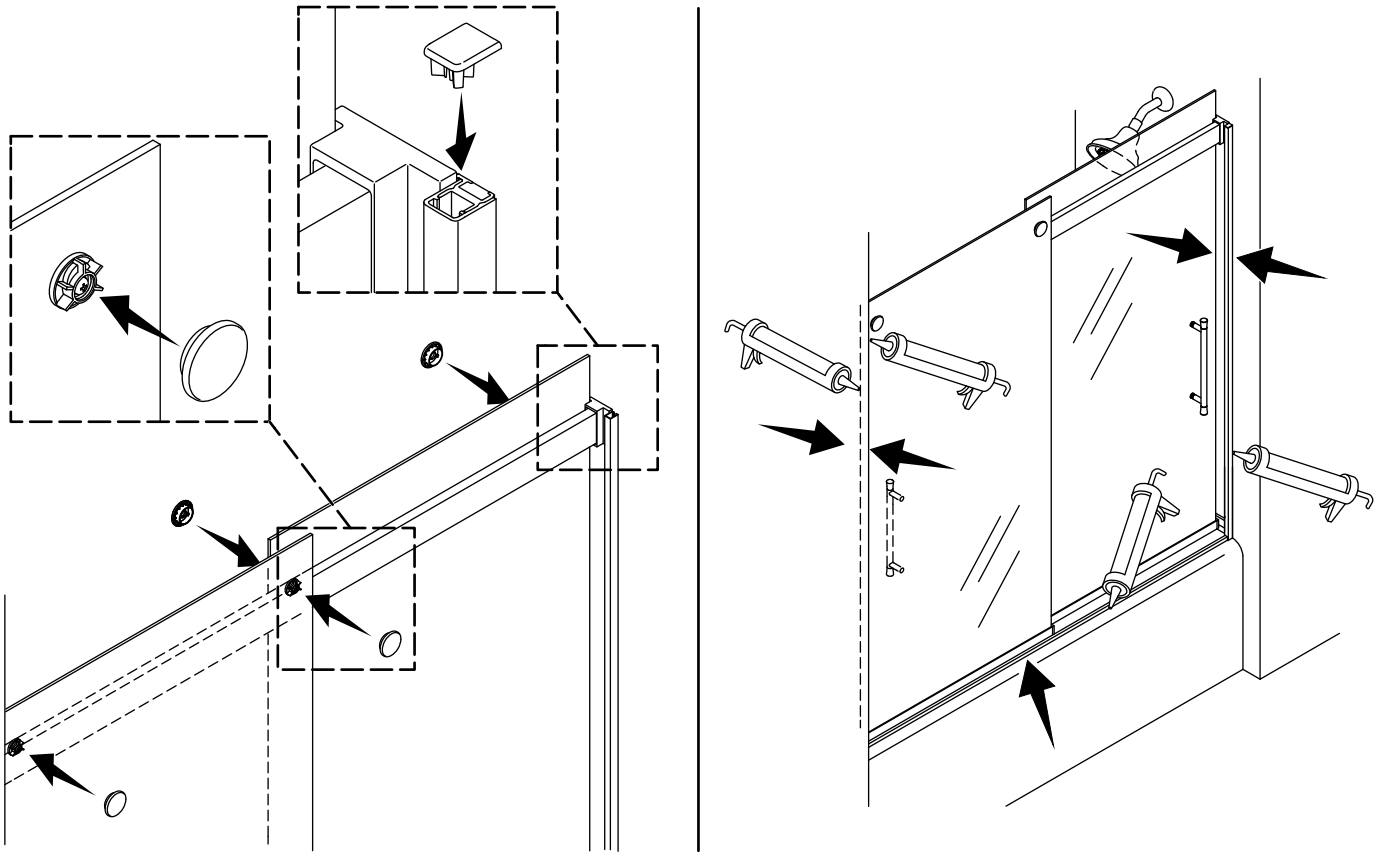


NOTE: The rollers may require adjustment if a panel does not move, makes a scraping sound when moved, or if an upper or lower bumper does not make contact when closed.

NOTE: The rollers may require adjustment if a panel does not move, makes a scraping sound when moved, or if the panel seals do not touch the wall when closed.

- Adjust the alignment of each end of the panel by loosening the screws and turning the adjustment clamp.
- When adjusting the outside panel, hold the clip cover straight or insert a wood shim under the cover while securely tightening the screws so the clip does not scrape in the track.
- Repeat until the door operates smoothly and aligns evenly with the shower walls.
- Verify that the clips are still oriented correctly (see the "Confirm Correct Installation" section). Securely tighten the screws.

20. Complete the Installation



- Snap a cap into place on each of the four rollers.
- Press a cap into the top of each wall jamb.
- Install the towel bar or handle using the separate instructions provided.
- Install the handles using the separate instructions (provided).
- Apply 100% silicone sealant along the wall jambs inside and outside the shower/bath.
- Apply 100% silicone sealant along the outside edge of the threshold.

Troubleshooting

This troubleshooting guide is for general aid only. For service and installation issues or concerns, call 1-800-4KOHLER.

Symptoms	Probable Cause	Recommended Action
1. The door is noisy when opened or closed.	<p>A. An outer roller clip is not pointed straight down and is scraping inside the header.</p> <p>B. An outer roller is not tight, causing the clip to scrape inside the header.</p> <p>C. Door panels are too low, causing them to scrape on the base of the centerguide or on the shower base/bath ledge.</p> <p>D. Rollers have worn and are noisy.</p>	<p>A. Loosen the outer roller screw, rotate the clip so that the clip points straight down and is engaged in the header, and securely tighten the roller screw.</p> <p>B. Tighten the outer roller screws, verifying that the clips point straight down.</p> <p>C. Adjust the rollers to raise the door panels so they no longer scrape. See the "Adjust the Rollers" section.</p> <p>D. Replace the rollers.</p>
2. The door is hard to move or does not open.	<p>A. A roller clip is not pointed straight down and is scraping inside the header.</p> <p>B. Door panels are too low, causing them to scrape on the base of the centerguide or on the shower base/bath ledge.</p> <p>C. The threshold seal is not fully seated, causing the door panel to rub.</p>	<p>A. Loosen the roller screw, rotate the clip so that the clip points straight down and engaged in the header, and securely tighten roller screw.</p> <p>B. Adjust the rollers to raise the door panels so they no longer scrape.</p> <p>C. Push the seal completely into the threshold.</p>
3. The door panels are free to swing in and out of the shower.	<p>A. The centerguide is not installed.</p> <p>B. The centerguide is not installed in the correct location.</p> <p>C. The door panels are not correctly installed on the centerguide.</p> <p>D. The door is the incorrect size for the shower opening.</p>	<p>A. Install the centerguide according to the instructions.</p> <p>B. Install the centerguide on the center of the shower base/bath ledge.</p> <p>C. The door panels should ride in the centerguide channels.</p> <p>D. Obtain the correct product for your shower opening.</p>
4. The centerguide is loose.	<p>A. The centerguide screw is not fully tightened.</p> <p>B. The centerguide is not correctly installed on the shower base/bath ledge.</p>	<p>A. Using the provided hex wrench, tighten the screw until the centerguide cannot be moved by hand.</p> <p>B. Verify that the centerguide hook is engaged in the threshold.</p>

Symptoms	Probable Cause	Recommended Action
<p>5. Water leaks.</p>	<p>A. Water leaks under the threshold.</p> <p>B. Water leaks under a door panel.</p> <p>C. Water leaks under a door panel.</p> <p>D. Water leaks between door panels.</p> <p>E. Water leaks between a door panel and a wall jamb.</p> <p>F. Water leaks between a door panel and a wall jamb.</p> <p>G. Water leaks behind wall jamb.</p>	<p>A. Apply 100% silicone sealant to the outside edge of the threshold. See silicone sealant manufacturer's instructions before using shower.</p> <p>B. Adjust the rollers so the bottoms of the door panels are closer to the shower base/bath ledge. See the "Adjust the Rollers" section.</p> <p>C. Remove wall jamb covers and verify that cleats are installed correctly. If there is a gap between the wall jamb and the cleat, the door panels could be installed too high.</p> <p>D. When showering, verify that the inside panel is closest to the showerhead.</p> <p>E. Adjust the rollers so that the bumpers contact the wall and the door panel evenly. See the "Adjust the Rollers" section.</p> <p>F. Order and install the optional seal kit.</p> <p>G. Apply 100% silicone sealant to the outside and inside edges of the wall jamb. See silicone sealant manufacturer's instructions before using shower.</p>
<p>6. Handle is not securely installed.</p>	<p>A. Door panel not properly cleaned before handle installed or handle not pressed down firmly during installation.</p>	<p>A. Clean door panel and install new handle.</p>