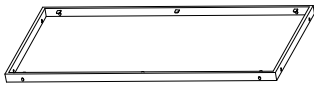


ASSEMBLY INSTRUCTIONS

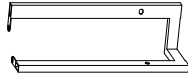
COFFEE TABLE WITH TEXTURED GLASS TOP

A Bottom Frame



1pc

B Leg



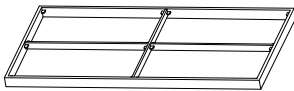
4pcs

C Glass Shelf



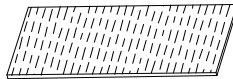
1pc

D Top Frame



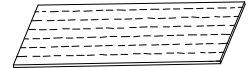
1pc

E Textured Glass Top
(Horizontal)



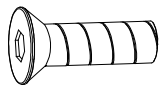
2pcs

F Textured Glass Top
(Vertical)



2pcs

G Bolt
1/4" x 7/8"



8pcs

H End Cap
13 x 26mm



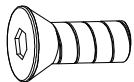
8pcs

I Glass Pad
10 x 1mm



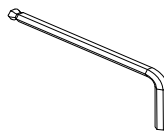
22pcs

J Bolt
1/4" x 1/2"

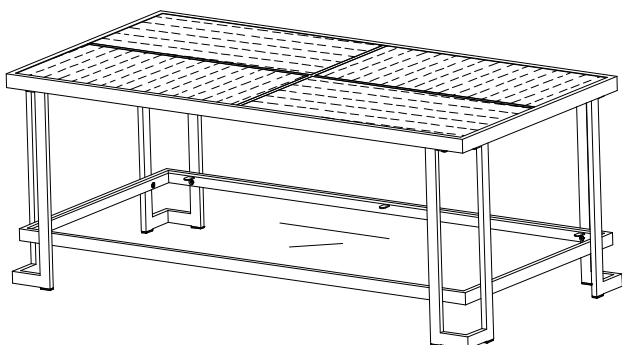


8pcs

K Allen Wrench
1/4"



1pc

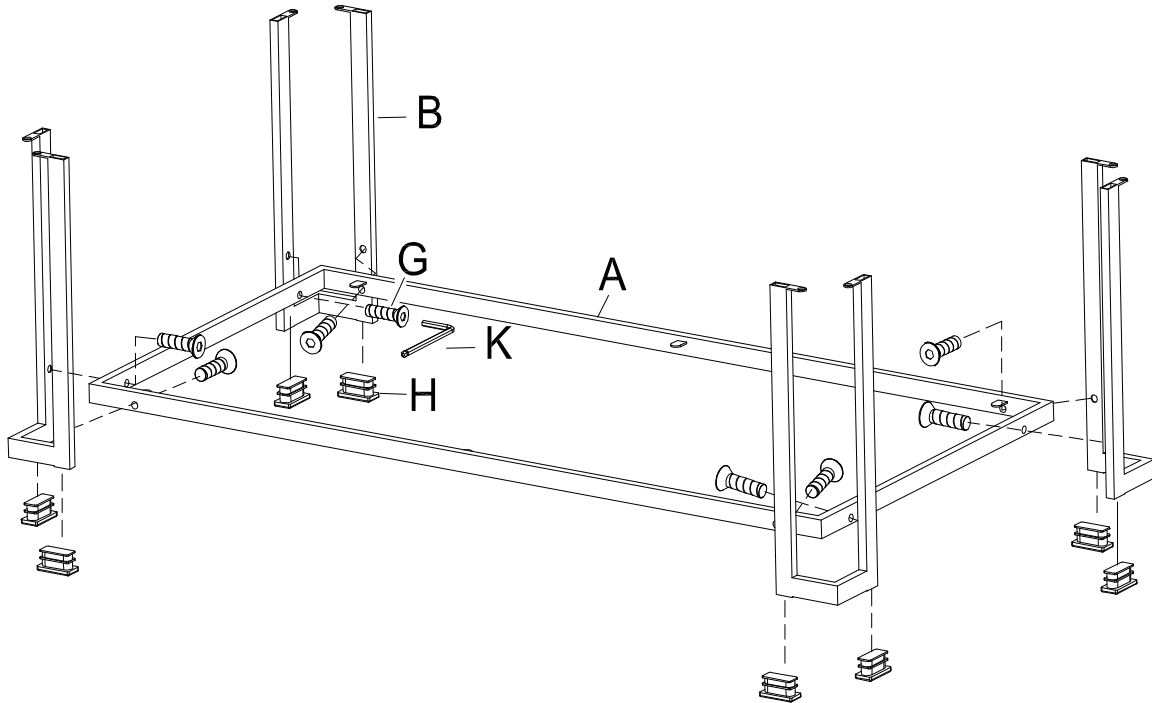


This page lists all the contents included in the box. Please take the time to identify the hardware as well as the individual components to this product. As you unpack and prepare for assembly, place the contents on a carpeted or padded area to protect them from damage.

***** Do not tighten screws & bolts until the entire unit is completely assembled.**

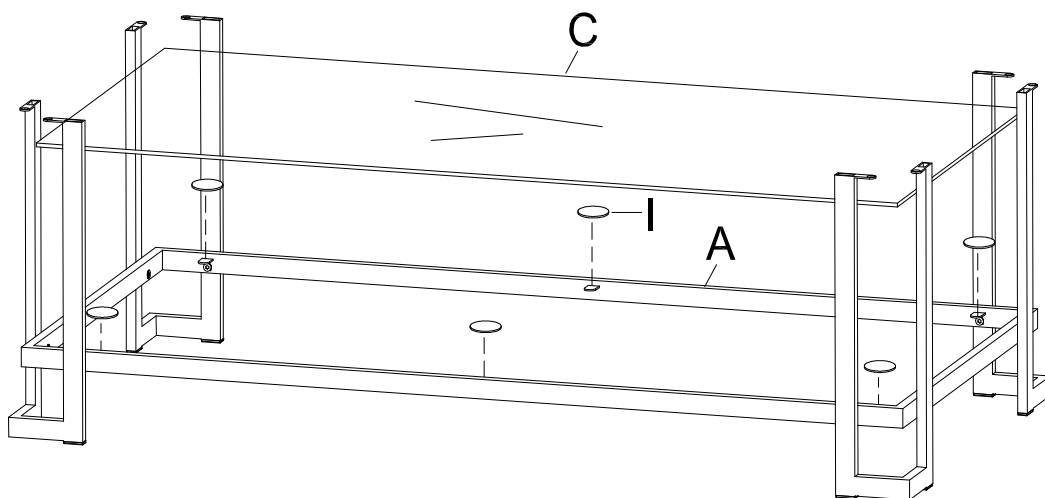
1

Attach the Leg (B) one by one to the Bottom Frame (A) using Bolt (G) with the Allen Wrench (K). Next, insert the End Cap (H) into the bottom of the Leg (B).



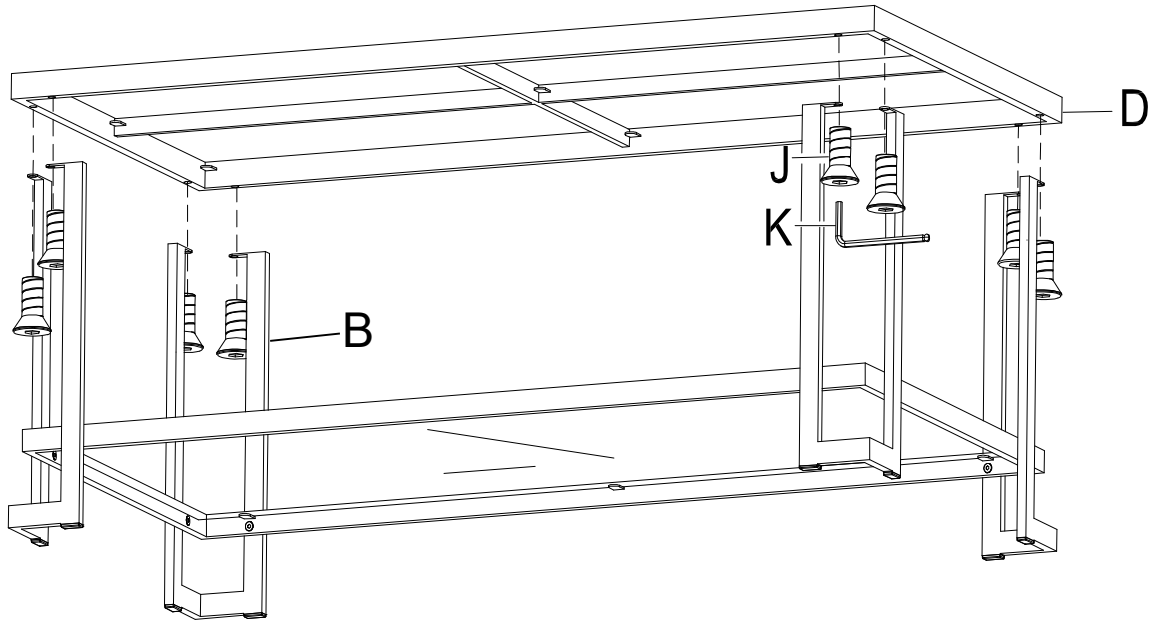
2

Place 6pcs of Glass Pad (I) on the Bottom Frame (A), then carefully place the Glass Shelf (C) on top of the Bottom Frame (A).

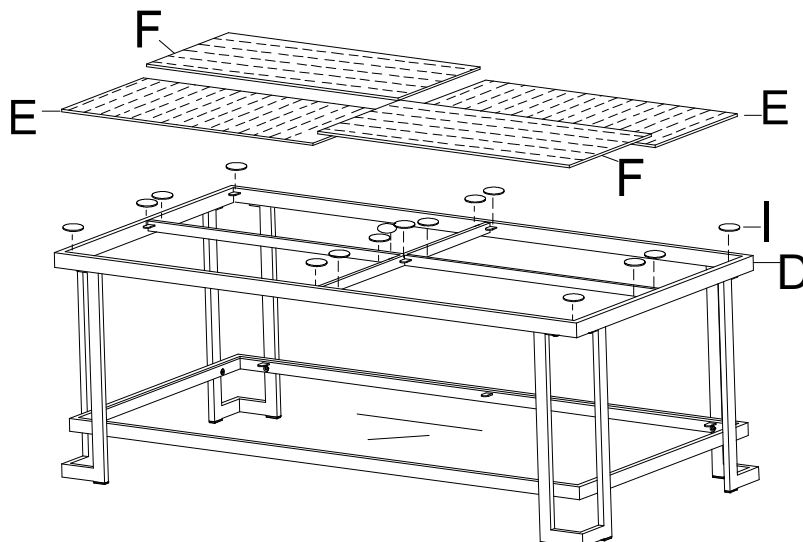


3

Attach the Top Frame (D) to the Leg (B) using Bolt (J) with the Allen Wrench (K).

**4**

Place the Glass Pad (I) on top of the Top Frame (D), then carefully place the Textured Glass Top (Horizontal & Vertical) (E & F) on top of the Top Frame (D).



Cleaning & Care

Treat surfaces with care. Surfaces are resistant to scratches but are not scratch resistant. Clean surfaces with a dry or damp soft cloth. Do not use abrasive cleaners. Hardware may loosen over time. Periodically check that all connections are tight.