



Mariposa® | K-1257-LA

72" x 36" alcove whirlpool bath, left drain

Features

- 72"L x 36"W x 20"H
- Integral apron for easy alcove installation and pump access
- Six adjustable ProFlex® whirlpool jets for maximum bather comfort
- Innovative technology enables this pump to provide a strong, steady level of hydromassage
- Includes integral flange to simplify installation and prevent the possibility of water damage behind the wall
- Custom pump locations expand installation and pump access options



Available Colors/Finishes

Color tiles intended for reference only.

■ 0 White



1-800-4KOHLER (1-800-456-4537)
Kohler Co. reserves the right to make revisions without notice to product specifications.
For the most current specification sheet, go to www.kohler.com USA or www.kohler.ca Canada.
5-12-2026 18:23 - US-CA

THE BOLD LOOK
OF **KOHLER**®

Codes/Standards

ASME A112.19.7/CSA B45.10
CSA B45.5/IAPMO Z124
ASTM E162
ASTM E662
UL 1795
UL Listed

Technical Information

All product dimensions are nominal.

| | |
|------------------------|------------------------------|
| Drain Location: | Left |
| Drain Hole Diameter: | 2-1/4" (57 mm) |
| Minimum Flat for Door: | 2-1/8" (54 mm) |
| Basin Area, Bottom: | 50" x 24" (1270 mm x 610 mm) |
| Basin Area, Top: | 65" x 27" (1651 mm x 686 mm) |
| Water Depth: | 14" (356 mm) |
| Water Capacity: | 72 gal (272.5 L) |
| Minimum Floor Load: | 41 lbs/ft ² |
| Weight: | 110 lbs (49.9 kg) |

Material

- Acrylic

Recommended Products/Accessories

K-1491 Bath/whirlpool pillow, removable
K-23726 Drain treatment
K-23732 Tub & shower cleaner
K-7265 Brass toe tap bath drain

Required Products/Accessories

- K-T37392 Rotary-turn bath drain trim
 - K-T37391 Rotary-turn bath drain trim
- or
- K-78438 30" cable bath drain
 - K-37383 Rough-in cable bath drain, PVC, 30" cable with tubing

Required Electrical Service

One dedicated circuit required, protected with Class A Ground-Fault Circuit-Interrupter (GFCI). Outside North America, this device may be known as a Residual Current Device (RCD).

Pump: 120 V, 15 A, 60 Hz

Electrical Component Ratings

Pump: 120 V, 7.5 A, 60 Hz

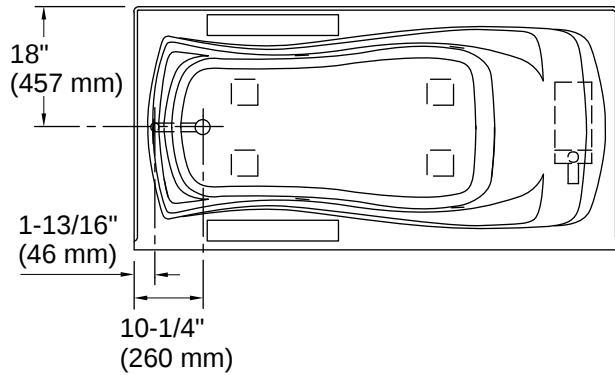
Number of Speeds: Single

Warranty

See website for detailed warranty information.

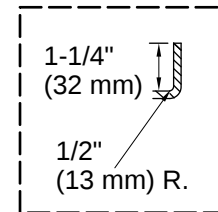
KOHLER® Plastic Baths and Shower Bases Lifetime Limited Warranty|KOHLER® Hydrotherapy Components Five-Year Limited Warranty



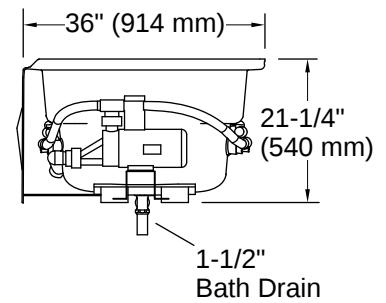
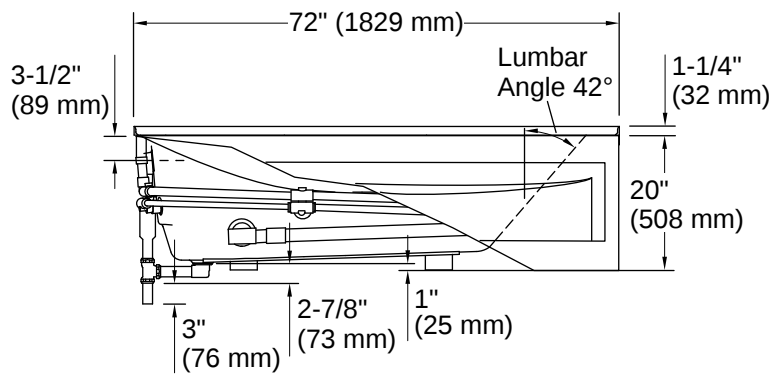


No change in measurements if connected with drain illustrated. (K-11677)

□ Recommended Faucet Location



Integral Flange Detail



Installation

- Drop-in or alcove

Installation Notes

Install this product according to the installation instructions.

Measure your actual product for rough-in details.

The hot water supply should be 70% of the capacity of the bath or greater. Installations will vary.

If installing a rim-mount faucet, make sure there is no interference above or below the deck before drilling any holes.

