



# Assembly & Installation Instructions

**CAUTION:** Read instructions carefully and turn electricity off at main circuit breaker panel before beginning installation.

## 3720

\*\*\*\*\*

**WARNING -** If any Special Control Devices are used with this Fixture, Follow the Instructions Carefully to assure full compliance with N.E.C. requirements. If there are any questions, contact a Qualified Electrical Contractor.

**WARNING -** This product contains chemicals known to the State of California to cause cancer, birth defects and /or other reproductive harm. Thoroughly wash hands after installing, handling, cleaning, or otherwise touching this product.

**CAUTION -** All glass is fragile, use care when handling Glass component(s) and or Lamp(s).

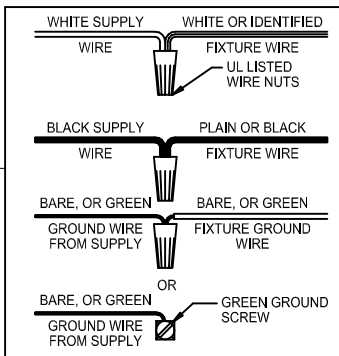
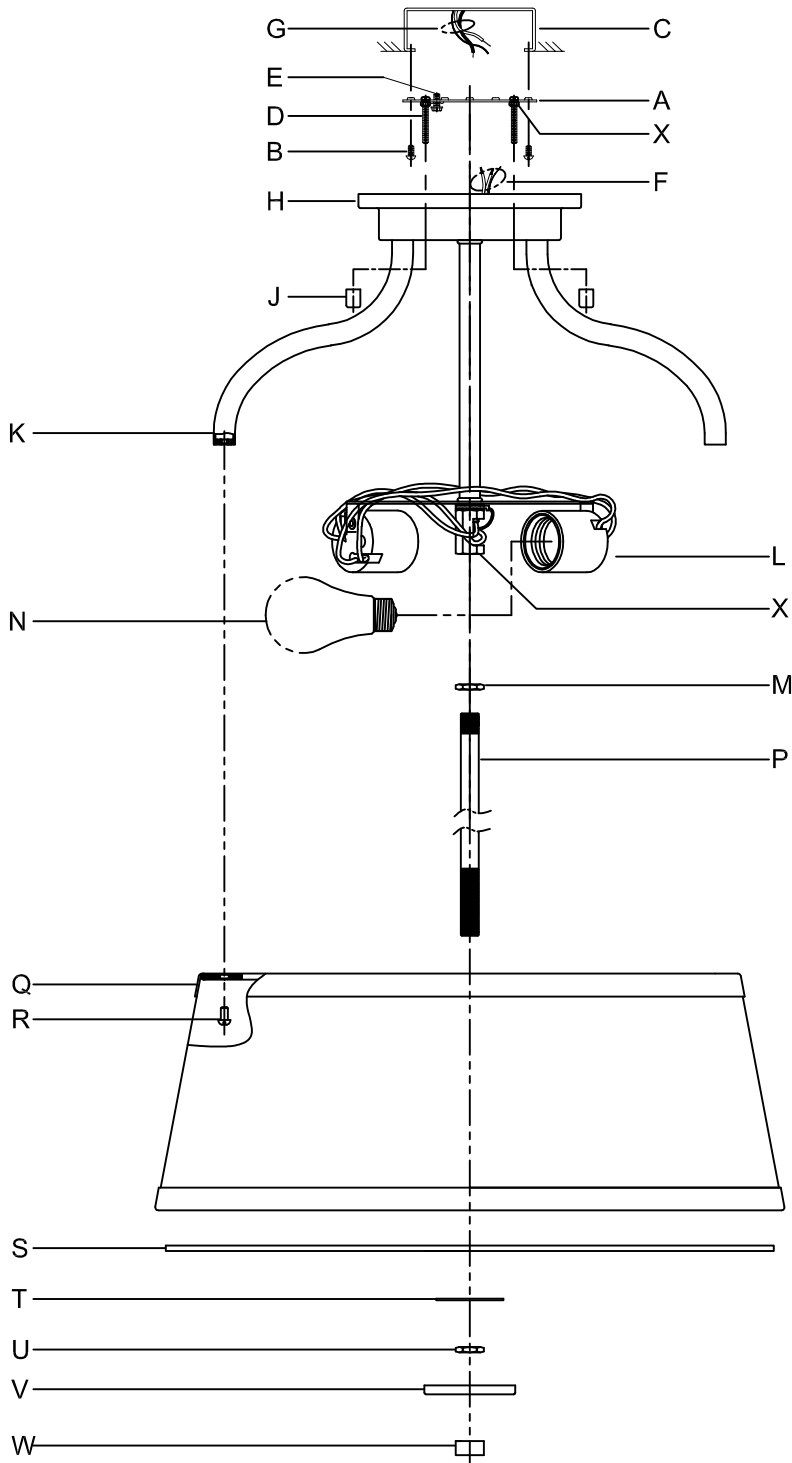
\*\*\*\*\*

### ASSEMBLY STEPS:

### PASOS PARA ENSAMBLAR:

### MODE D'ASSEMBLAGE:

1. D,E → A
2. X → D
3. B,A → C
4. F → G
5. H,J → D
6. M → P
7. P → X
8. N → L
9. R,Q → K
10. S,T,U → P
11. V,W → P



**B, C, G & N  
(NOT FURNISHED)  
(NO INCLUIDA)  
(NON FOURNIE)**



# Assembly & Installation Instructions

**CAUTION:** Read instructions carefully and turn electricity off at main circuit breaker panel before beginning installation.

## 3720

\*\*\*\*\*

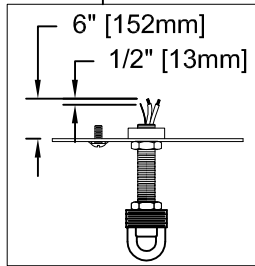
**WARNING -** If any Special Control Devices are used with this Fixture, Follow the Instructions Carefully to assure full compliance with N.E.C. requirements. If there are any questions, contact a Qualified Electrical Contractor.

**WARNING -** This product contains chemicals known to the State of California to cause cancer, birth defects and /or other reproductive harm. Thoroughly wash hands after installing, handling, cleaning, or otherwise touching this product.  
**CAUTION -** All glass is fragile, use care when handling Glass component(s) and or Lamp(s).

\*\*\*\*\*

**ASSEMBLY STEPS:**  
**PASOS PARA ENSAMBLAR:**  
**MODE D'ASSEMBLAGE:**

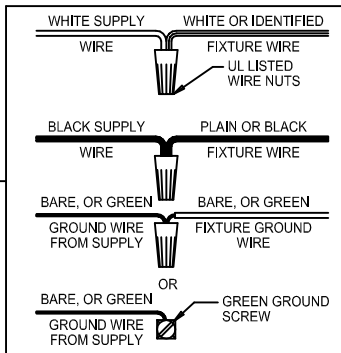
1. HH,E → JJ
2. B,JJ → C
3. GG,FF,BB → HH (TO LOCK) (APRETAR) (À VERROUILLER)
4. FF → BB
5. F → AA
6. AA → Y
7. J,H → Z
8. DD → AA
9. EE,CC → DD
10. DD → BB
11. F → DD,CC,EE,BB
12. F → G
13. EE,CC → BB
14. M → P
15. P → X
16. N → L
17. R,Q → K
18. S,T,U → P
19. V,W → P



ADJUST HEIGHT WITH "D"  
 GG → A (TO LOCK)

AJUSTA LA ALTURA CON "D"  
 GG → A (APRETAR)

RÉGLEZ LA HAUTEUR AVEC "D"  
 GG → A (À VERROUILLER)



**B, C, G & N**  
 (NOT FURNISHED)  
 (NO INCLUIDA)  
 (NON FOURNIE)

