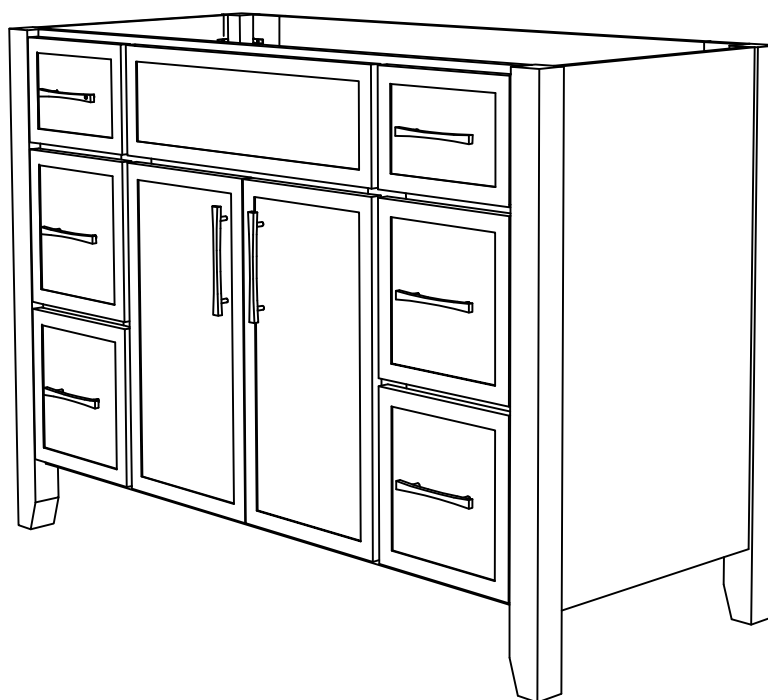




Part#: 228445-IO-RTA
228445-OTR-RTA
228445-ROAK-RTA

ASSEMBLY INSTRUCTIONS

228445 Dawson
Two Door six Drawer Vanity Base Cabinet



Unpacking Precautions

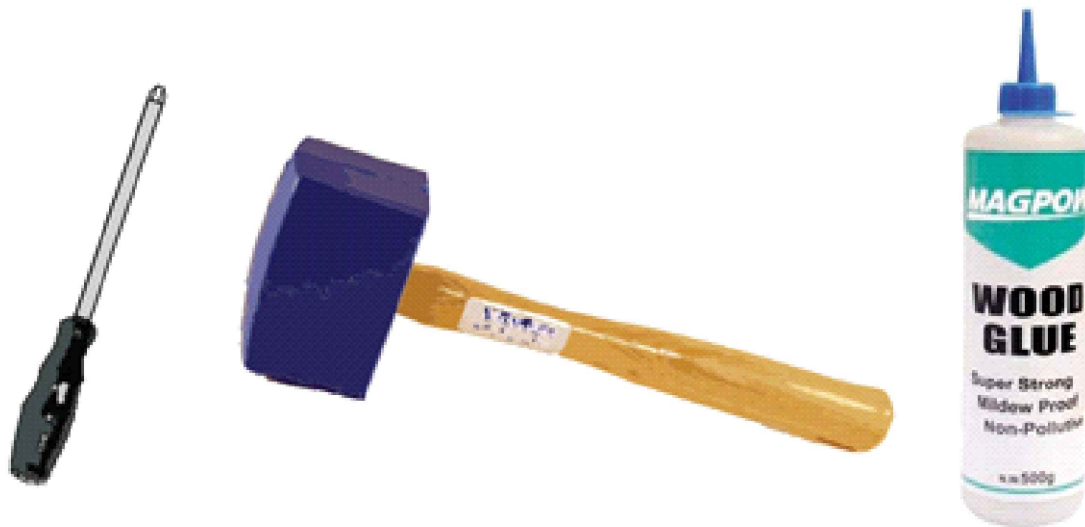
If using a sharp object to unpack the vanity components and the packing materials, be careful to avoid scratching or damaging the vanity components. The various packing materials may be used to protect the vanity components during assembly. During the unpacking process, place the various components away from and to the side of the work area so that they will not be inadvertently knocked over or otherwise damaged.

Required Tools

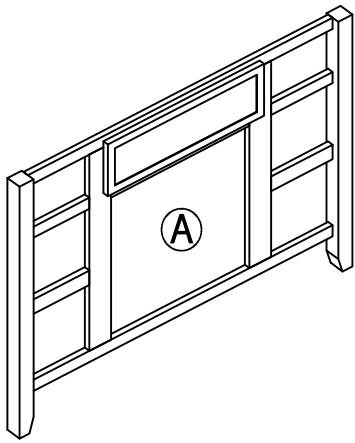
Phillips Screwdriver

Rubber Mallet

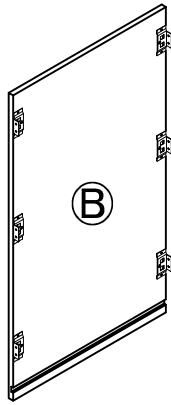
Wood Glue



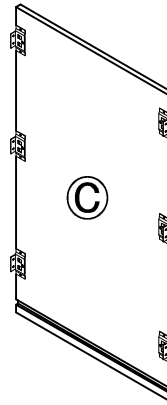
PARTS LIST



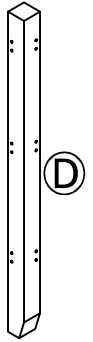
FRONT PANEL 1PC



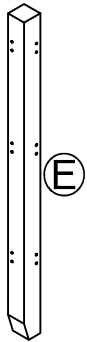
LEFT SIDE PANEL 1PC



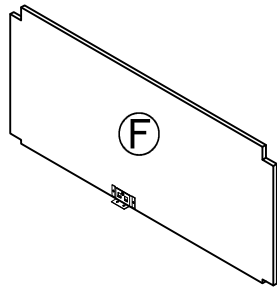
RIGHT SIDE PANEL 1PC



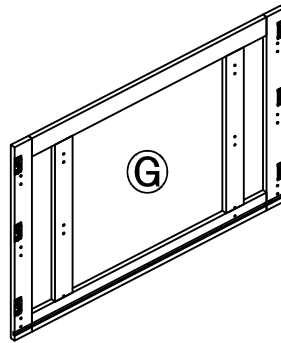
LEFT LEG 1PC



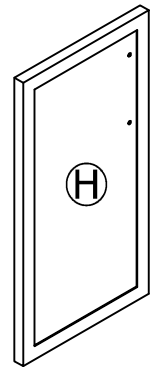
RIGHT LEG 1PC



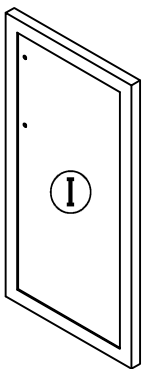
BOTTOM PANEL 1PC



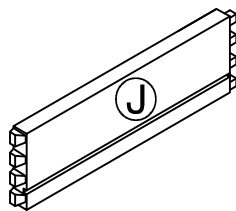
BACK PANEL 1PC



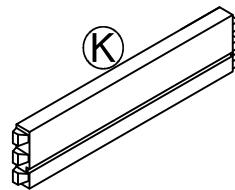
LEFT DOOR 1PC



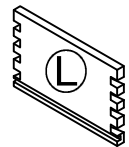
RIGHT DOOR
1PC



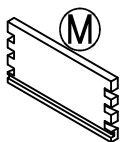
DRAWER SIDE PANEL
8PCS



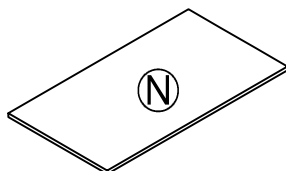
DRAWER SIDE PANEL
4PCS



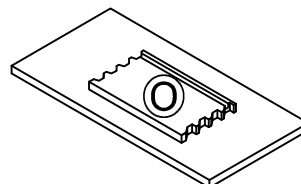
DRAWER BACK PANEL
4PCS



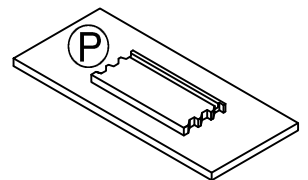
DRAWER BACK PANEL
2PCS



DRAWER BOTTOM PANEL
6PCS

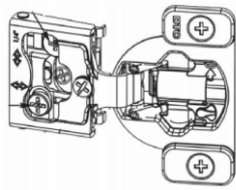


DRAWER FRONT PANEL
4PCS

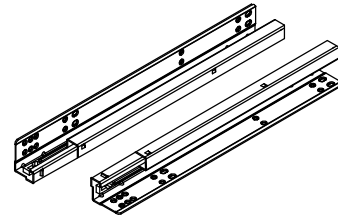


DRAWER FRONT PANEL
2PCS

HARDWARE LIST



a. Door Hinge1



b. UNDERMOUNT SOFT CLOSE GLIDE(L/R)



c. PLASTIC CLIP (L/R)



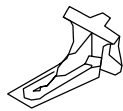
d. DOOR HANDLE 2PCS



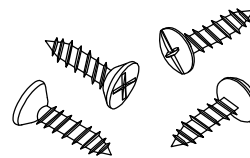
e. DOOR HANDLE 6PCS



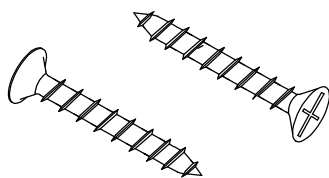
f. RUBBER BUMPER 28PCS



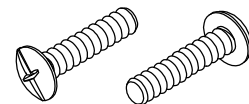
g. GLIDE BRACKET 12PCS



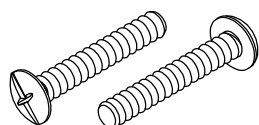
h. 1/2" FLAT (ROUND) HEAD SCREW 36PCS
ROUND HEAD SCREW FOR ESPRESSO METAL CLIP ONLY



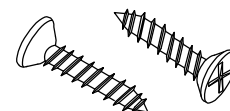
i. 1-1/8" 3 PCS FOR ATTACHING THE
BACK PANEL TO THE BOTTOM PANEL,



j. KNOB SCREW FOR DOOR 1" 4PCS



k. KNOB SCREW FOR DRAWER 1-5/16" 12PCS

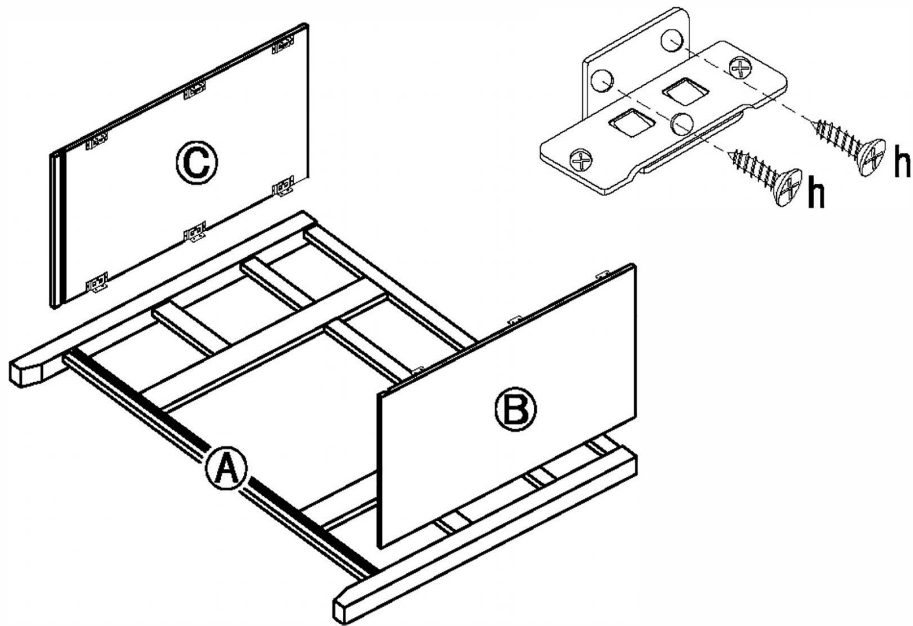


L. 3/5" GLIDE SCREW 96PCS

STEP 1

Slide the Right side panel (C) into the groove of the face frame, and mount the male clip to the face frame with the screwdriver. Each male clip will need 2 small screws (h).

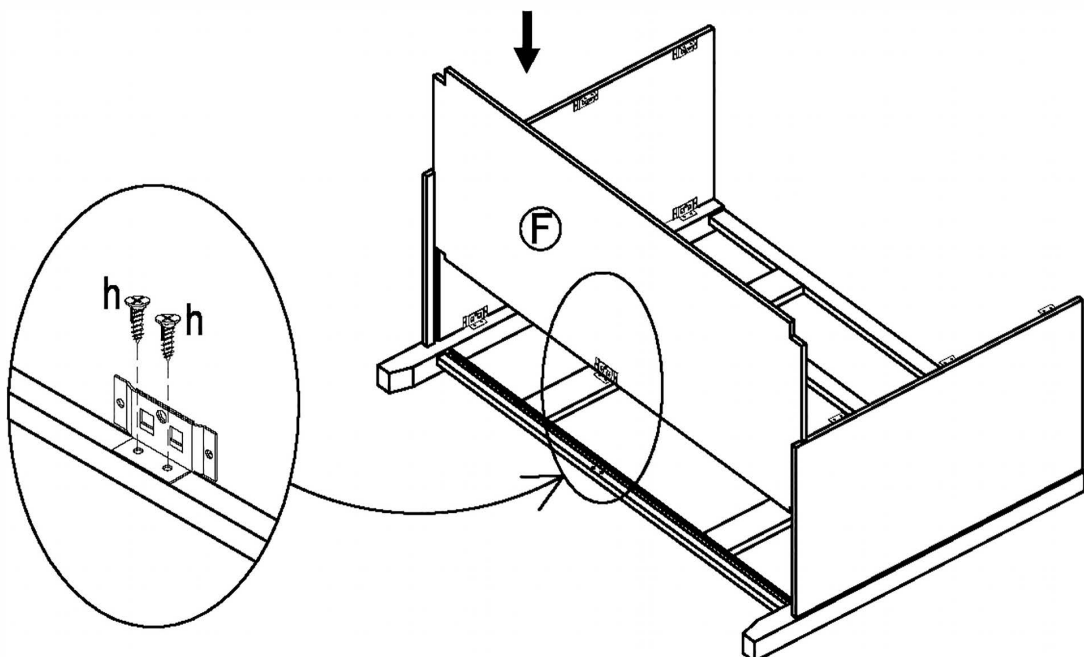
Slide the Left side panel (B) into the Left groove of the face frame, and mount the male clip to the face frame with a screwdriver. Each male clip will need 2 small screws (h).



★ Clips covered with black cap for shipping to prevent damage.

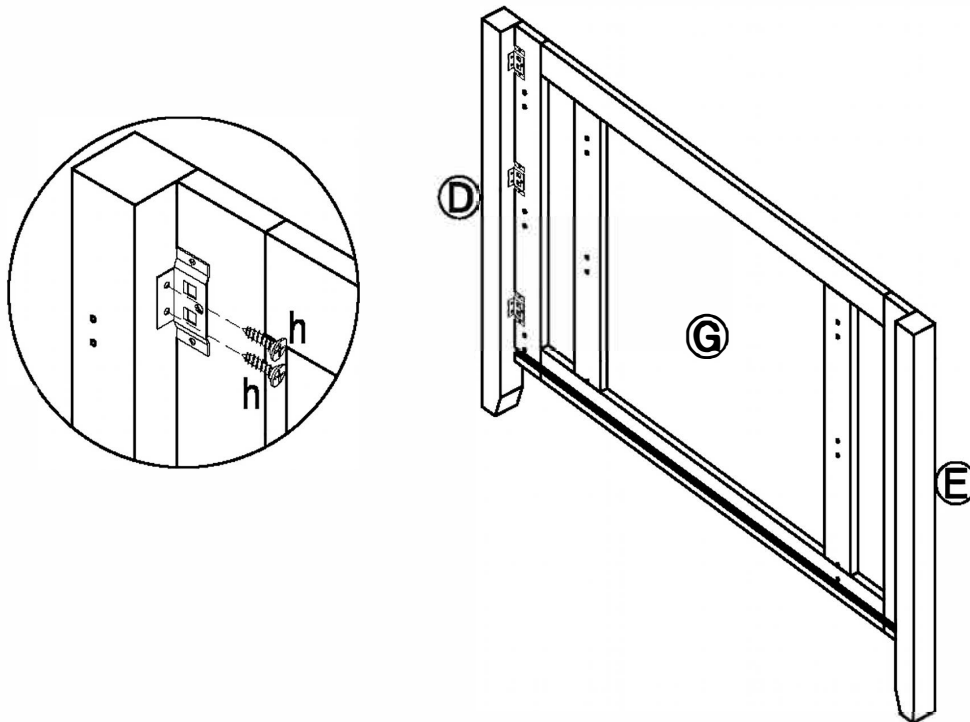
STEP 2

Slide bottom panel (F) into the groove of the right and left side panels and fix the bottom panel to face frame with metal clips and screws (h).



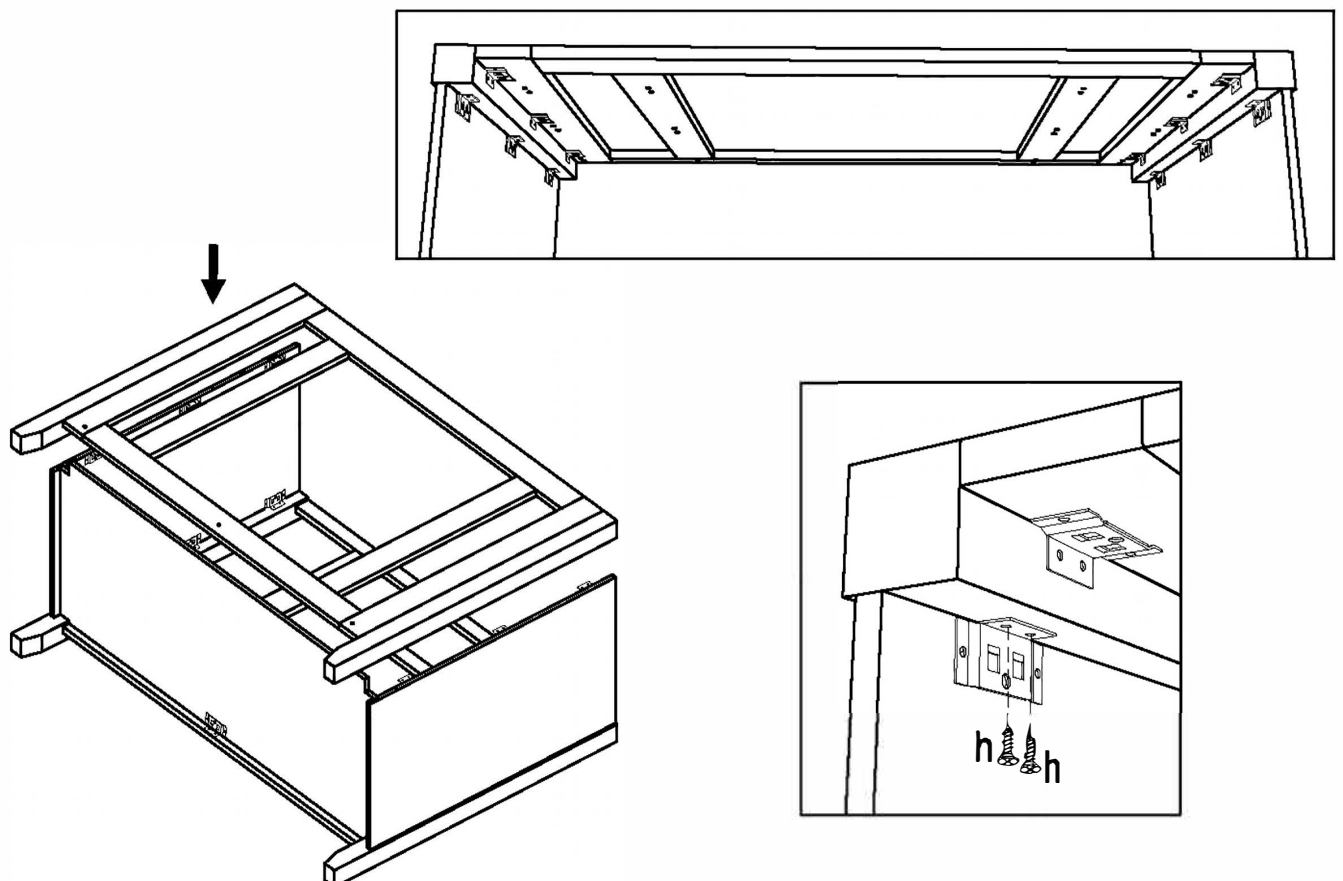
STEP 3

Attach the two wooden legs (D) and (E) to the back panel (G) with screw "h".



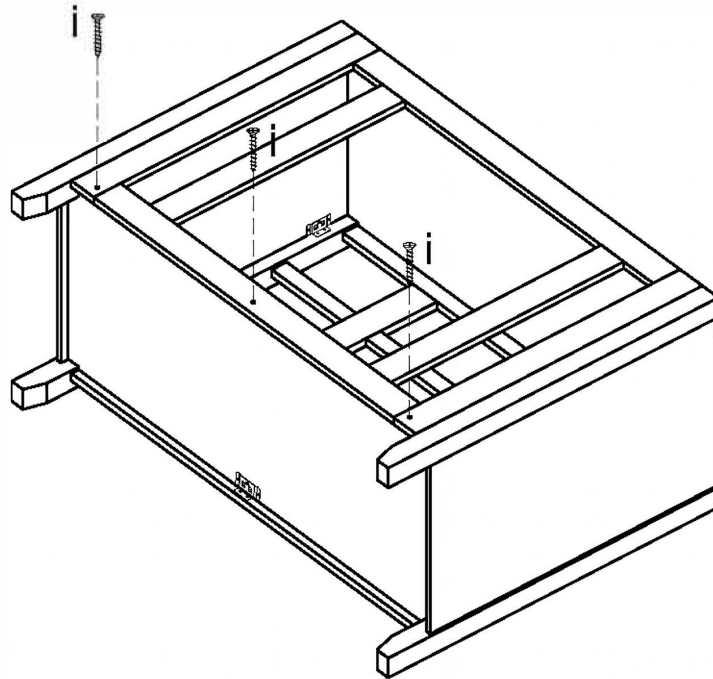
STEP 4

Attach the whole back panel to the side panels with screw "h"



STEP 5

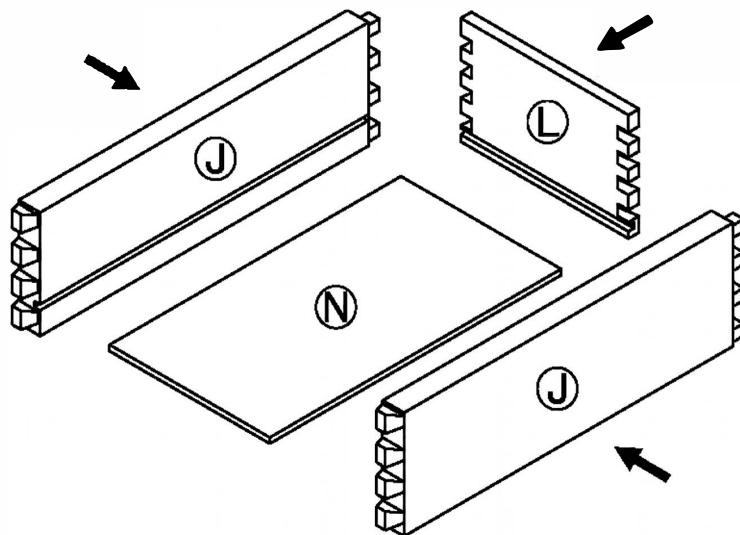
Use the long screws (i) , to fix the back panel to the edges of the bottom panels.



STEP 6

Align the dovetails of one of the drawer side panels (J) with the teeth on the drawer back panel (L) and gently seat the drawer side panel into the drawer back panel. This can be done by gently tapping the side with a rubber mallet.

Repeat this procedure for the second drawer side panel. Slide the drawer bottom into the grooves on the sides and drawer back panel until it is fully seated.

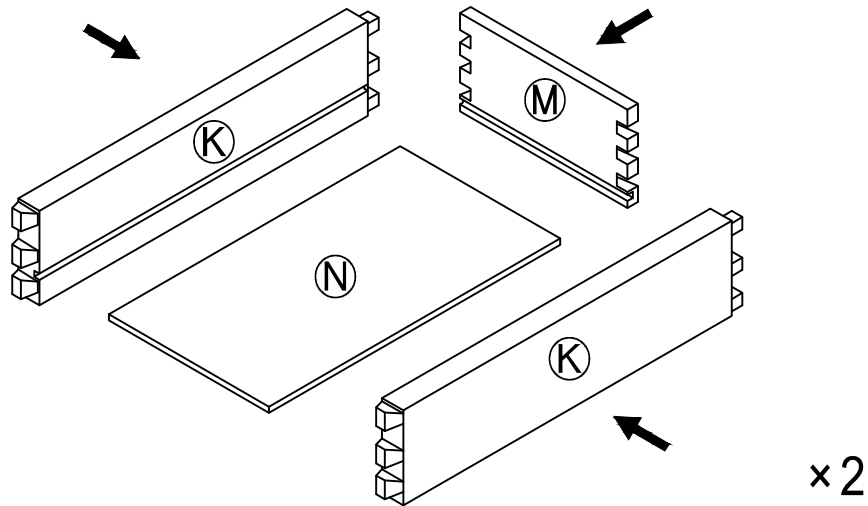


×4

STEP 7

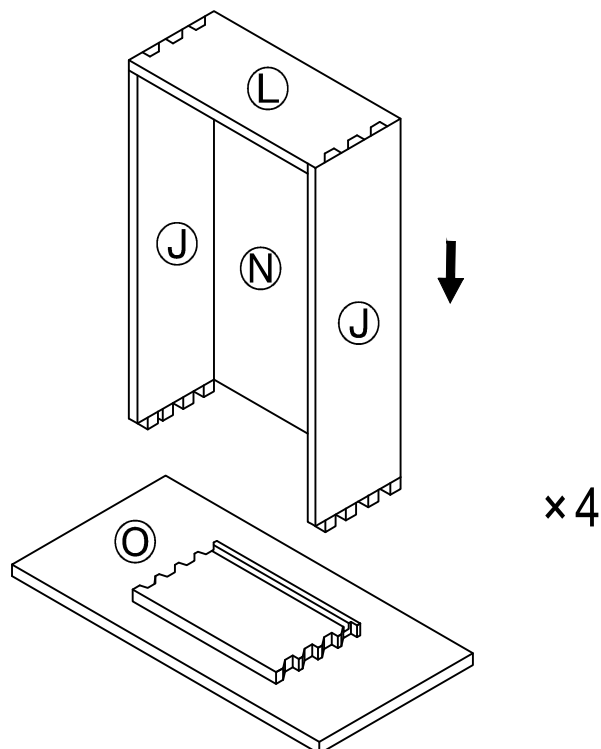
Align the dovetails of one of the drawer side panels (K) with the teeth on the drawer back panel (M) and gently seat the drawer side panel into the drawer back panel. This can be done by gently tapping the side with a rubber mallet.

Repeat this procedure for the second drawer side panel. Slide the drawer bottom into the grooves on the sides and drawer back panel until it is fully seated.



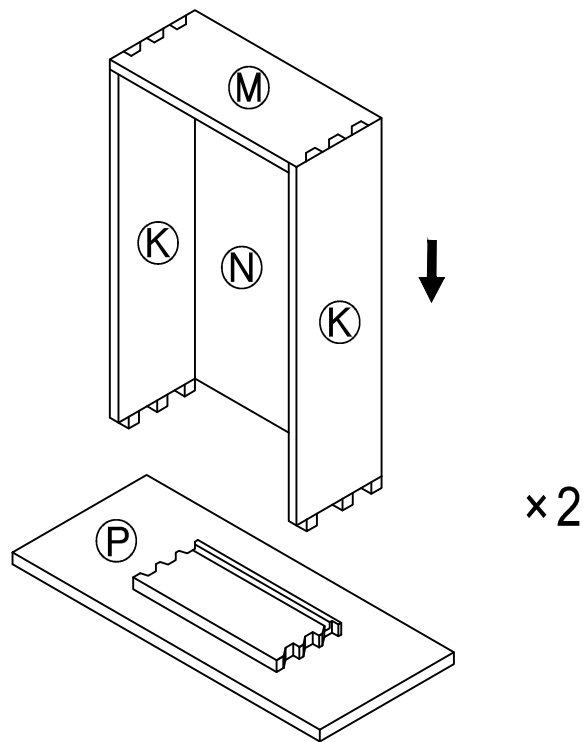
STEP 8

Attach the drawer fronts (O) to the drawer box by aligning the dovetails of drawer panels with the teeth on the front drawer panel (O) and gently seat as below.



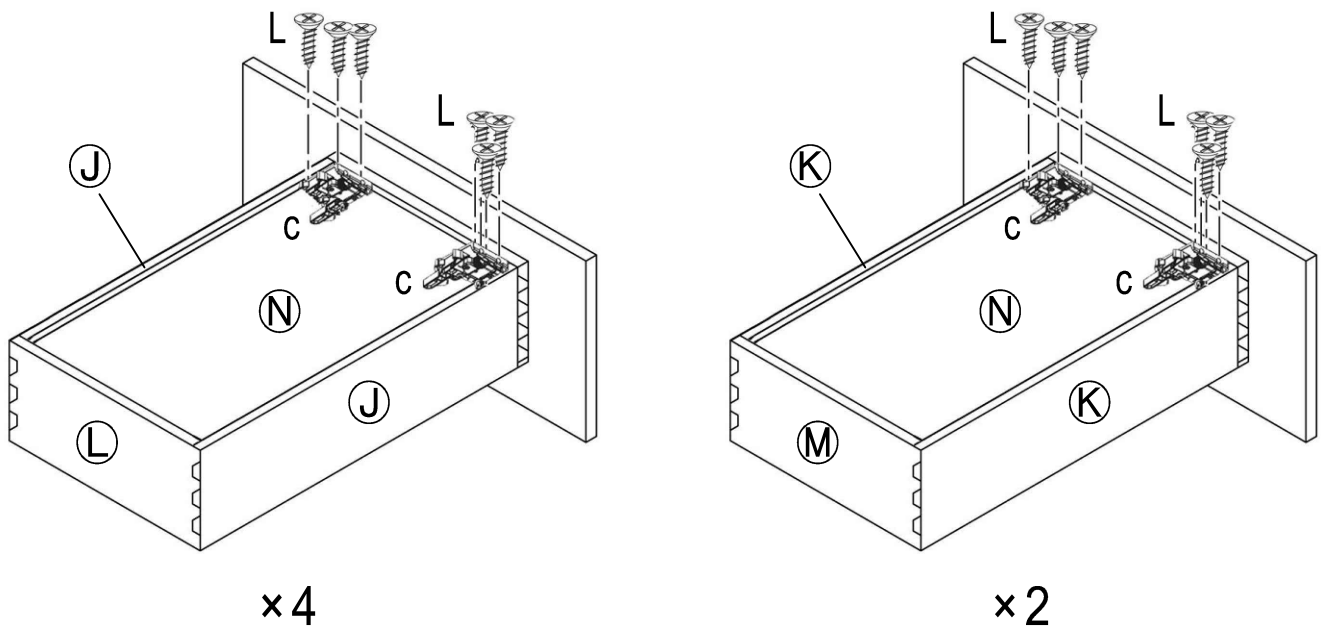
STEP 9

Attach the drawer fronts (P) to the drawer box by aligning the dovetails of drawer panels with the teeth on the front drawer panel (P) and gently seat as below.



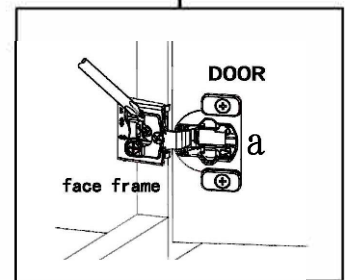
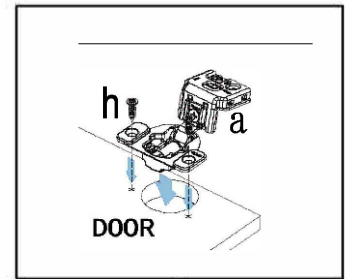
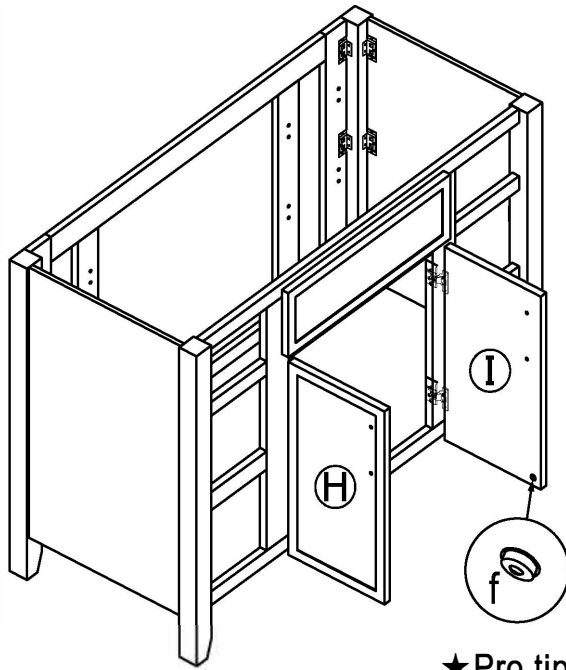
STEP 10

Attach the plastic clip (c) on the bottom of the drawer, using six small flat head screws (L), three screws for each.

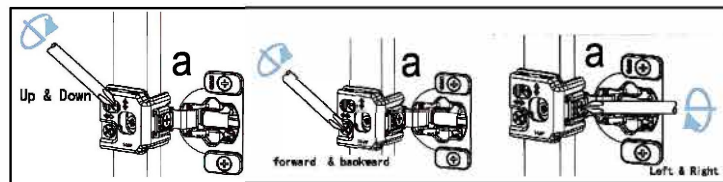


STEP 11

Attach the door (H) (I) to face frame with framed hinge (a) & screw (h).

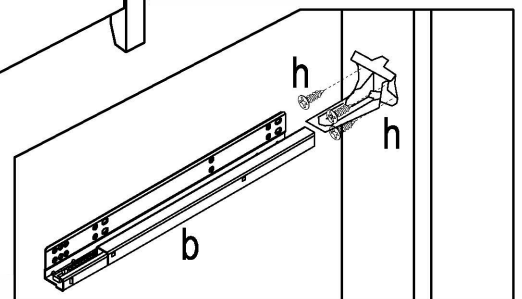
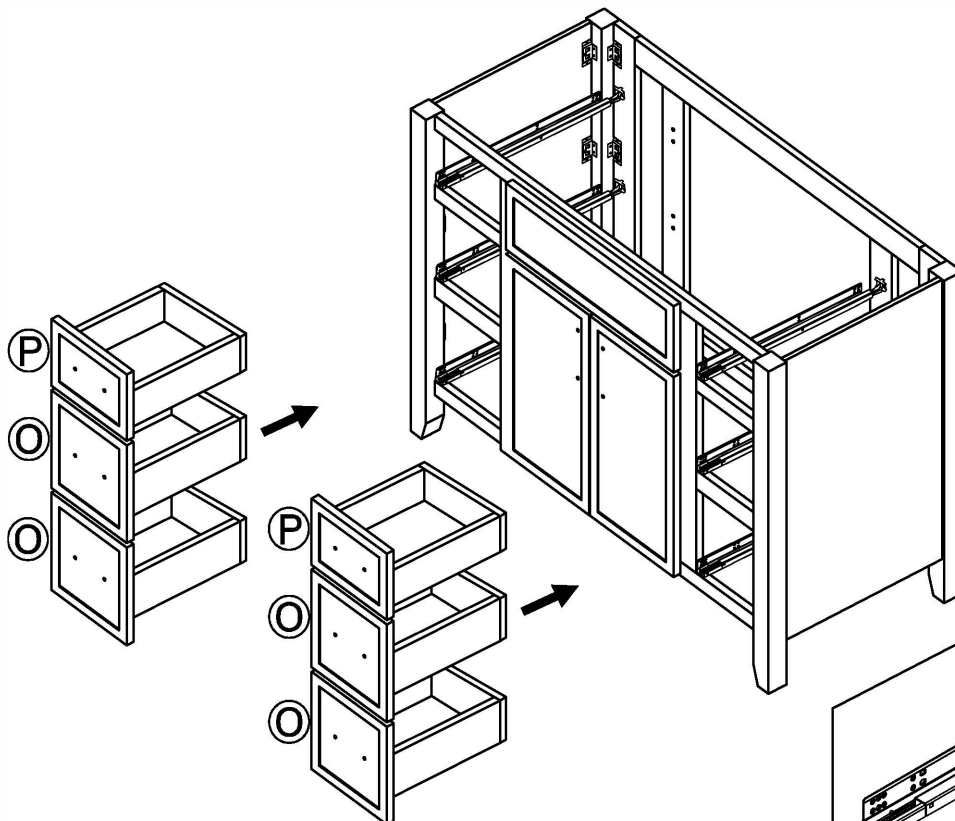


★ Pro tip for adjusting doors



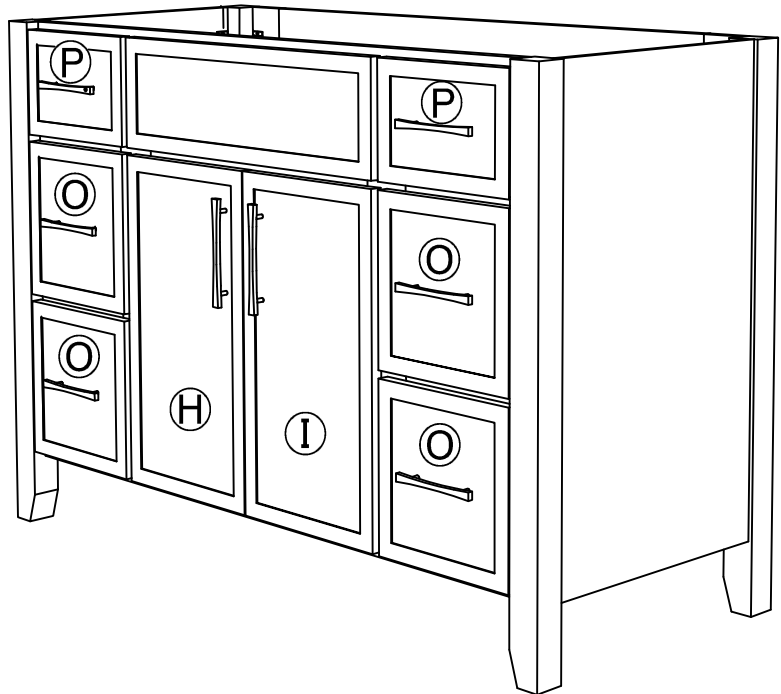
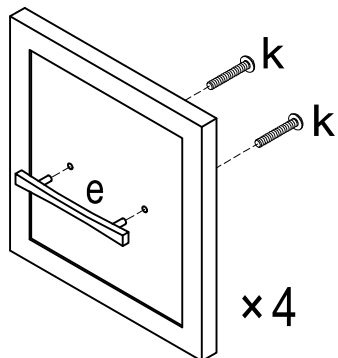
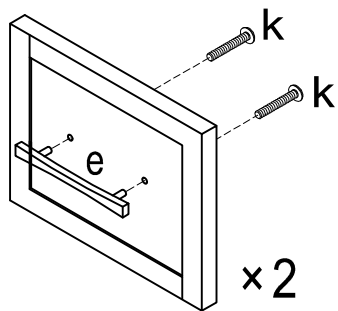
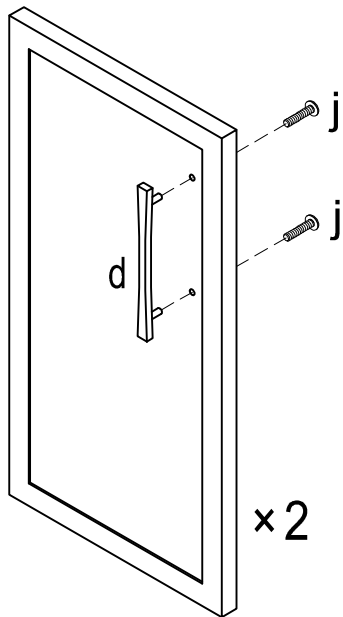
STEP 12

Using two small screws (h) to fix the glide bracket (g) to the interior sets of pre-drilled holes on the back panel. Using one small screw (h) to attach the glide (b) on the faceframe. Install the drawers into the cabinet.



STEP 13

Install the handle (d) with screw (j) on doors and handle (e) with screw (k) on drawers.



STEP 14

Enjoy your new Dawson Vanity