

SPECIFICATIONS

DESCRIPTION

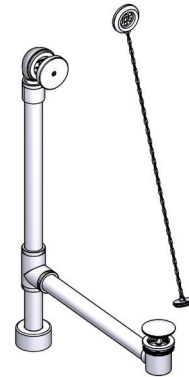
- Bathtub drain for above-floor installation box
- Bathtub drain featuring a contemporary toe-tap plug for above-floor installations
- Toe-tap drain for ease of use
- Available in multiple finishes to complement a variety of bathtub fillers

STANDARDS

- ASME A112.18.2 / CSA B125.2

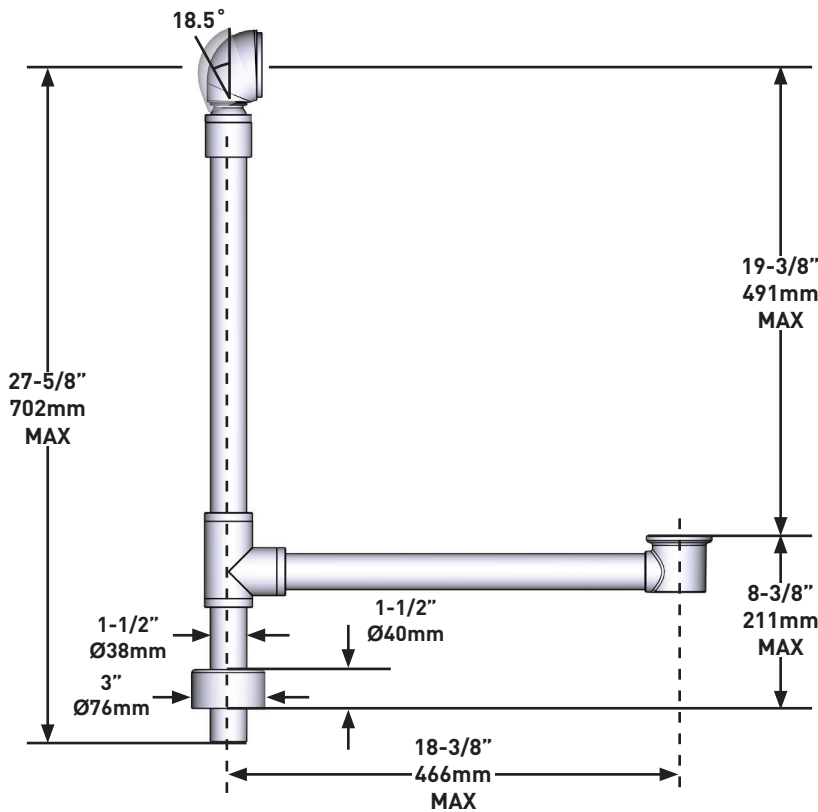
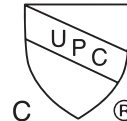
WARRANTY

- Most products or parts carry "Limited Warranties" against manufacturing defects. For US customers please visit houseofrohl.com/support and for Canadian customers please visit houseofrohl.ca/support for complete product and finish warranty.



Bathtub Drain Kit

MODELS: K-50 series



For warranty or additional information, contact:

US Customers

U.S.A.
houseofrohl.com/support
 1-800-777-9762

Canadian Customers

QUEBEC / MARITIMES / WESTERN CANADA
 QUÉBEC / MARITIMES / OUEST CANADIEN
 QUEBEC / MARITIMOS / CANADA OCCIDENTAL
houseofrohl.ca/support
 1-866-473-8442

ONTARIO
houseofrohl.ca/support
 1-800-287-5354

Riobel

PERRIN & ROWE
 LONDON



victoria ⊕ albert®

ROHL