



BRISTOL POINT

Model # 1906013

Wooden Swing Set
Owner's Manual & Assembly Instructions

MANUFACTURED BY:

Backyard Discovery

3305 Airport Drive
Pittsburg, KS 66762
800-856-4445



Before you begin

FOR QUICK & EASY ASSEMBLY
FIND 3D INSTRUCTIONS
FOR THIS PRODUCT IN

BILT.

DOWNLOAD THE FREE APP



average 2 person assembly time

INTERMEDIATE
8
HOURS

average tube slide assembly time

HORAS
3
INTERMEDIAS

assembly time may vary based on skill level



INSTALLATION SERVICES AVAILABLE!*

Need a helping hand?

Let our team of professionals handle the installation for you!

GOCONFIGURE

888-888-5424

*Installation services are only available to U.S. customers.

For the most up to date assembly manual,
to register your set or to order replacement parts please visit
www.backyarddiscovery.com

**SAVE THIS ASSEMBLY MANUAL FOR FUTURE REFERENCE IN THE
EVENT THAT YOU NEED TO ORDER REPLACEMENT PARTS.**

Para obtener instrucciones en español, visite www.backyarddiscovery.com



GOCONFIGURE
Putting it all together for you

INSTALLATION SERVICES AVAILABLE!*

Need a helping hand?

Let our team of professionals handle the installation for you!

GOCONFIGURE
888-888-5424

**Installation services are only available
to U.S. customers.*

With Go Configure, we bring you 18 years of experience right to your doorstep. We service a wide array of indoor and outdoor recreation products that most consumers don't have the time or ability to deliver & install themselves.

We do the heavy lifting, so you don't have to!

- 18+ Years of Experience Servicing Big Box Retailers and Direct Consumers
- Highly Skilled, Specialized, Courteous, Professional Service Technicians
- Over 140,000 Installations Annually
- White Glove Service

- Satisfaction Guarantee
- Flexible Appointments, including weekends
- Coverage across the nation

Visit www.goconfigure.com for more info!

**Installation services are only available to U.S. customers.*



The store where you made your purchase does not stock parts for this item.

If you have assembly questions or you are missing or have damaged parts, please call

1-800-856-4445

you can also visit www.backyarddiscovery.com
or e-mail customerservice@backyarddiscovery.com

Please have the following information ready when you make your call:

- Model Number of the product located on the front of the assembly manual
 - Description of the part from the parts list
-
- Read entire assembly manual, paying special attention to the important tips and safety information.
 - Ensure there are no missing pieces by first separating and identifying all parts.
 - Make sure to check packing material for small parts that may have fallen out during shipment.
 - Structures are not intended for public use. The Company does not warranty any of its residential structures subjected to commercial use such as: Daycare, Preschool, Nursery School, Recreational Park, or any similar Commercial Application.
 - This manual contains helpful information concerning assembly preparation, installation procedure and required maintenance.
 - Always keep safety in mind as your structure is being built.
 - Keep these instructions for future reference.



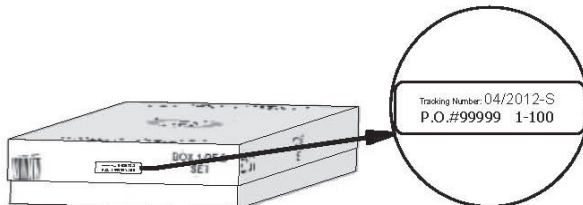
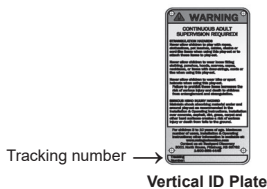
Please read entire booklet completely before beginning the assembly process

Please retain these instructions and your receipt for future reference. Keep them in a safe place where you can refer to them as needed. In order to provide you with the most efficient service, it is required that you provide us with the part numbers when ordering parts.

For Your Records:

Please take time and fill out the information below. This information will be needed for warranty issues.

Where Purchased: _____
 Date of Purchase: _____
 Installation Date: _____
 Installed by: _____
 Tracking Number: _____



Tracking Number Reference Label

Tracking ID number on the carton and on the bottom of the vertical ID plate are included for tracking purposes associated with warranty claims.

This Limited Warranty by Backyard Discovery applies to products manufactured under the Backyard Discovery brand or its other brands including but not limited to Backyard Botanical, Adventure Playsets, and Leisure Time Products.

Backyard Discovery warrants that this product is free from defect in materials and workmanship for a period of one (1) year from the original date of purchase. This one (1) year warranty covers all parts including wood, hardware, and accessories. All wood carries a five (5) year pro-rated warranty against rot and decay. Refer to the schedule below for charges associated with replacement of parts under this Limited Warranty. In addition, Backyard Discovery will replace any parts within the first 30 days from date of purchase found to be missing from or damaged in the original packaging.

This warranty applies to the original owner and registrant and is non-transferable. Regular maintenance is required to assure maximum life and performance of this product. Failure by the owner to maintain the product according to the maintenance requirements may void this warranty. Maintenance guidelines are provided in the Owner's Manual.

This Limited Warranty does not cover:

- Labor for any inspection
- Labor for replacement of any defective item(s)
- Incidental or consequential damages
- Cosmetic defects which do not affect performance or integrity of a part or the entire product
- Vandalism, improper use, failure due to loading or use beyond the capacities stated in the applicable Assembly Manual.
- Acts of nature including but not limited to wind, storms, hail, floods, excessive water exposure
- Improper installation including but not limited to installation on uneven, unlevel, or soft ground
- Minor twisting, warping, checking, or any other natural occurring properties of wood that do not affect performance or integrity

Backyard Discovery products have been designed for safety and quality. Any modifications made to the original product could damage the structural integrity of the unit leading to failure and possible injury. Modification voids any and all warranties and Backyard Discovery assumes no liability for any modified products or consequences resulting from failure of a modified product.

This product is warranted for RESIDENTIAL USE ONLY. Under no circumstance should a Backyard Discovery product be used in public settings. Such use may lead to product failure and potential injury. Any and all public use will void this warranty. Backyard Discovery disclaims all other representations and warranties of any kind, express or implied.

Pro Rated Part Replacement Schedule

<u>Product Age</u>	<u>Customer Pays</u>
All Parts	
0-30 days from date of purchase	\$0 and free shipping
31 days to 1 year	\$0 + S&H
Wood Rot and Decay Only	
1 year	\$0 and free shipping
2 year	20% + S&H
3 year	40% + S&H
4 year	60% + S&H
5 year	80% + S&H
Over 5 years	100% + S&H



NOTE:

Your Children's Safety Is Our #1 Concern!

Observe the following statements and warnings to reduce the likelihood of serious or fatal injury. Please review these safety rules regularly with your children.



WARNING: BURN HAZARD

- Pay special attention to plastic and metal surfaces as they may be hot enough to cause burns.
- Always check the temperature of the product before letting your children play on it.
- Remember that the product may cause burns if left in direct sunlight.
- Always be aware of the sun and weather conditions, and do not assume that the equipment is safe because the air temperature is not very high.

- Children **MUST NOT** use this playcenter until unit has been completely assembled and inspected by an adult to ensure set has been properly installed and anchored.
- Equipment is recommended for use by children 3 to 10 years of age.
- This Playcenter is designed for a specific number of occupants whose combined weight should not exceed the designated weight on the elevated floor or the swing area. The total unit capacity is outlined in the Basic Setup Dimensions section of instruction manual. The maximum fall height and recommended play area is also available in the Basic Setup Dimensions section of the manual.
- On-site, continuous adult supervision is **REQUIRED. MOST SERIOUS INJURIES AND DEATHS ON PLAYGROUND EQUIPMENT HAVE OCCURRED WHILE CHILDREN WERE UNSUPERVISED!**
- **DO NOT** allow children to walk close to, in front of, behind, or between moving swings or other moving playground equipment.
- **DO NOT** let children stand on swings.
- Children should **NOT** twist the chains and ropes and should not loop them over the top support bar, this could reduce the strength of the chain or rope.
- **DO NOT** let children push empty seats. The seat could hit them and cause serious injury.
- Instruct and teach children to sit in the center of the swings with their full weight on the seats.
- **DO NOT** allow children to use the equipment in a manner other than intended.
- Instruct children **NOT** to get off equipment while it is in motion.
- Instruct children to **ALWAYS** go down slides feetfirst. Never slideheadfirst.
- Instruct children to **LOOK** before they slide to make sure no one is at the bottom.
- **DO NOT** allow children to run up a slide, as this increases their chances of falling.
- **DRESS CHILDREN APPROPRIATELY.** (Examples would include wearing well-fitting shoes and the avoidance of ponchos, scarfs, and other loose-fitting clothing that is potentially hazardous while using equipment).
- **DO NOT** allow children to climb when the equipment is wet.
- Children should **NEVER** jump from a fort deck. They should always use the ladder, ramp or slide.
- Children should **NEVER** be allowed to crawl or walk across the top of monkey bars.
- **DO NOT** allow children to crawl on top of a fort roof.
- Verify that any suspended climbing ropes, chain, or cable are secured at both ends and that they cannot be looped back on themselves as to create an entanglement hazard.
- **DO NOT** let children attach items to the playground equipment that are not specifically designed for use with the equipment. Items such as, but not limited to, jump ropes, clothesline, pet leashes, cables and chain can cause a strangulation hazard.
- Children should **NEVER** wrap their legs around swing chain.
- **DO NOT** allow children to slide down the swing chain.
- Instruct children to remove their bike or other sports helmet before playing on playground equipment.
- **NEVER** add extra length to chain or rope. The chains or ropes provided are the maximum length designed for the swinging element(s).

Modifications

- Modifications made by the consumer to the original activity toy shall be carried out according to the instructions of the manufacturer. In particular, instructions shall be provided with kit/accessory about the installation of rope/nets concerning the minimum diameter, the need for fixation at both ends, overall length, and positioning in relation to other structures.



Positioning Your Playcenter

- The playcenter is designed to be installed on a level surface by an adult with an adult helper. Place in a flat area of your yard to minimize ground preparation.
- Choose a level location for the equipment. This can reduce the likelihood of the play set tipping over and loose-fill surfacing material washing away during heavy rains.
- Place the equipment not less than 6'-7" (2.0 m) from any structure or obstruction such as a fence, garage, house, overhanging branches, laundry lines, or electrical wires.
- Provide enough room so that the children can use the equipment safely. For example, for structures with multiple play activities, a slide should not exit in front of a swing.
- It is a good idea to place your playcenter in an area that is convenient for adults to watch children at play.
- Create a site free of obstacles that could cause injuries – such as low overhanging tree branches, overhead wires, tree stumps and/or roots, large rocks, bricks and concrete. Additional suggestions in the Suggested Playground Surfacing Section.
- Do not build your playset on top of surfacing material.
- Locate bare metal platforms and slides out of direct sunlight to reduce the likelihood of serious burns. A slide that faces north will receive the least direct sunlight.
- Separate active and quiet activities from each other. For example, locate sandboxes away from swings or use a guardrail or barrier to separate the sandbox from the movement of the swings.

Suggested Playground Surfacing

- Do not install home playground equipment over concrete, asphalt, packed earth, grass, carpet, or any other hard surface. A fall onto a hard surface can result in serious injury to the equipment user.
- Do not install loose fill surfacing over hard surfaces such as concrete or asphalt.
- Shredded bark mulch, wood chips, fine sand and fine gravel, are added as shock absorbing materials after assembly. If used properly these materials can absorb some of the impact of a child's fall.
- All surface material should extend a minimum of 6'-7" (2.0 m) feet in all directions around the play area.
- Do not apply playground surfacing until after the unit is completely constructed. Playset should not be built on top of surfacing.
- Use containment, such as digging out around the perimeter and/or lining the perimeter with landscape edging.
- Installations of rubber tiles or poured-in-place surfaces (other than loose-fill materials) generally require a professional and are not "do-it-yourself" projects.
- Shall use Playground Surfacing Materials (other than loose-fill material) which comply with the safety standard ASTM F1292 Standard Specification of Impact Attenuation of Surfacing Materials within the Use Zone of Playground Equipment.
- Anchors shall be placed as instructed to reduce tipping hazards.

The following chart explains the fall height in feet from which a life threatening head injury would not be expected

Critical Heights in feet (m) of Tested Materials

Material	Uncompressed Depth			Compressed Depth to 9" (228mm)
	6" (152mm)	9" (228mm)	12" (304mm)	
Wood Chips	7' (2.13m)	10-12' (3.0-3.6m)	11' (3.35m)	10' (3.05m)
Double-Shredded Bark Mulch	6' (1.83m)	10-12' (3.0-3.6m)	11' (3.35m)	7' (2.13m)
Engineered Wood Fibers	6' (1.83m)	7' (2.13m)	>12' (3.66m)	6' (1.83m)
Fine Sand	5' (1.52m)	5' (1.52m)	9' (2.74m)	5' (1.52m)
Coarse Sand	5' (1.52m)	5' (1.52m)	6' (1.83m)	4' (1.22m)
Fine Gravel	5' (1.52m)	7' (2.13m)	10' (3.05m)	6' (1.83m)
Medium Gravel	5' (1.52m)	5' (1.52m)	6' (1.83m)	5' (1.52m)
Shredded Tires*	10-12' (3.0-3.6m)	N/A	N/A	N/A

*This data is from tests conducted by independent testing laboratories on a 6-inch depth of uncompressed shredded tire samples produced by four manufacturers. The tests reported critical heights, which varied from 10 feet to greater than 12 feet. It is recommended that persons seeking to install shredded tires as a protective surface request test data from the supplier showing the critical height of the material when it was tested in accordance with ASTM F1292.



APPENDIX A

The following information is from the United States Consumer Product Safety Commission's Information Sheet for playground surfacing material; also see the following website for additional information: www.cpsc.gov

X3. SECTION 4 OF THE CONSUMER PRODUCT SAFETY COMMISSION'S OUTDOOR HOME PLAYGROUND SAFETY HANDBOOK⁹

X3.1 Select Protective Surfacing—One of the most important things you can do to reduce the likelihood of serious head injuries is to install shock-absorbing protective surfacing under and around your play equipment. The protective surfacing should be applied to a depth that is suitable for the equipment height in accordance with ASTM Specification F 1292. There are different types of surfacing to choose from; whichever product you select, follow these guidelines:

X3.1.1 Loose-Fill Materials:

X3.1.1.1 Maintain a minimum depth of 9 inches of loose-fill materials such as wood mulch/chips, engineered wood fiber (EWF), or shredded/recycled rubber mulch for equipment up to 8 feet high; and 9 inches of sand or pea gravel for equipment up to 5 feet high. NOTE: An initial fill level of 12 inches will compress to about a 9-inch depth of surfacing overtime. The surfacing will also compact, displace, and settle, and should be periodically refilled to maintain at least a 9-inch depth.

X3.1.2 Use a minimum of 6 inches of protective surfacing for play equipment less than 4 feet in height. If maintained properly, this should be adequate. (At depths less than 6 inches, the protective material is too easily displaced or compacted.)

NOTE: Do not install home playground equipment over concrete, asphalt, or any other hard surface. A fall onto a hard surface can result in serious injury to the equipment user. Grass and dirt are not considered protective surfacing because wear and environmental factors can reduce their shock absorbing effectiveness. Carpeting and thin mats are generally not adequate protective surfacing. Ground level equipment such as a sandbox, activity wall, playhouse or other equipment that has no elevated play surface – does not need any protective surfacing.

X3.1.3 Use containment, such as digging out around the perimeter and/or lining the perimeter with landscape edging. Don't forget to account for water drainage.

X3.1.3.1 Check and maintain the depth of the loose-fill surfacing material. To maintain the right amount of loose-fill materials, mark the correct level on play equipment support posts. That way you can easily see when to replenish and/or redistribute the surfacing.

X3.1.3.2 Do not install loose-fill surfacing over hard surfaces such as concrete or asphalt.

X3.1.4 Poured-In-Place Surfaces or Pre-Manufactured Rubber Tiles — You may be interested in using surfacing other than loose-fill materials – like rubber tiles or poured-in-place surfaces.

X3.1.4.1 Installations of these surfaces generally require a professional and are not “do-it-yourself” projects.

X3.1.4.2 Review surface specification before purchasing this type of surfacing. Ask the installer/manufacture for a report showing that the product has been tested to the following safety standard: ASTM F 1292 Standard Specification for Impact Attenuation of Surfacing Materials within the Use Zone of Playground Equipment. This report should show the specific height for which the surface is intended to protect against serious head injury. This height should be equal to or greater than the fall height – vertical distance between a designated play surface (elevated surface for standing, sitting, or climbing) and the protective surfacing below – of your play equipment

X3.1.4.3 Check the protective surfacing frequently for wear.

X3.1.5 Placement — Proper placement and maintenance of protective surfacing is essential. Be sure to:

X3.1.5.1 Extend surfacing at least 6 feet from the equipment in all directions.

X3.1.5.2 For to-fro swings, extend protective surfacing in front of and behind the swing to a distance equal to twice the height of the top bar from which the swing is suspended.

⁹This information has been extracted from the CPSC publications “Playground Surfacing — Technical Information Guide” and “Handbook for Public Playground Safety.” Copies of these reports can be obtained by sending a postcard to the: Office of Public Affairs, U.S. Consumer Product Safety Commission, Washington, D.C., 20207 or call the toll-free hotline: 1-800-638-2772.

The American Society for Testing and Materials takes no position respecting the validity of any parent right asserted in connection with any item mentioned in this standard. Users of this standard are expressly advised that determination of the validity of any such parent rights, and the risk of infringement of such rights, are entirely their own responsibility.

The standard is subject to revision at any time by the responsible technical committee and must be reviewed every five years and if not revised, either approved or withdrawn. Your comments are invited either for revision of this standard or for additional standards and should be addressed to ASTM Headquarters. Your comments will receive careful consideration at a meeting of the responsible technical committee, which you may attend. If you feel that your comments have not received a fair hearing you should make your views known to the ASTM Committee on Standards. 100 Barr Harbor Drive, West Conshohocken, PA 19428.



IT IS IMPORTANT TO CHECK AND TIGHTEN ALL HARDWARE AT THE BEGINNING AND DURING THE SEASON AS THEY MAY LOOSEN DUE TO WOOD EXPANSION AND CONTRACTION.

At the beginning of each play season

- Tighten all hardware.
- Lubricate all metallic moving parts per manufacturer's instructions.
- Check all protective coverings on bolts, pipes, edges, and corners. Replace if they are loose, cracked, or missing.
- Check all moving parts including swing seats, ropes, cables, and chains for wear, rust, or other deterioration. Replace as needed.
- Check metal parts for rust. If found, sand and repaint using a non lead-based paint meeting the requirements of 16 CFR 1303.
- Check all wood members for deterioration and splinters. Sand down splinters and replace deteriorating wood members.
- Reinstall any plastic parts, such as swing seats or any other items that were removed for the cold season.
- Rake and check depth of loose fill protective surfacing materials to prevent compaction and to maintain appropriate depth. Replace as necessary.

Twice a month during play season

- Tighten all hardware.
- Check all protective coverings on bolts, pipes, edges, & corners. Replace if they are loose, cracked, or missing.
- Rake and check depth of loose fill protective surfacing materials to prevent compaction and to maintain appropriate depth. Replace as necessary.

Once a month during play season.

- Lubricate all metallic moving parts per manufacturer's instructions.
- Check all moving parts including swing seats, ropes, cables, and chains for wear, rust, or other deterioration. Replace as needed.

At the end of each season or when the temperature drops below 32° F

- Remove plastic swing seats and other items as specified by the manufacturer and take indoors or do not use.
- Rake and check depth of loose fill protective surfacing materials to prevent compaction and to maintain appropriate depth. Replace as necessary.

Additional Maintenance

- Check the swing beam and hardware every two weeks due to wood expansion and contraction. It is particularly important that this procedure be followed at the beginning of each season.
- Inspect wood parts monthly. The grain of the wood sometimes will lift in the dry season causing splinters to appear. Light sand may be necessary to maintain a safe playing environment. Treat your playset with stain regularly, to help prevent severe checking/splitting and other weather damage.
- A waterborne transparent stain has been applied to your playset. This is done for color only. Once or twice a year, depending on your climate conditions, you must apply some type of protection (sealant) to the wood of your unit. Prior to the application of sealant, lightly sand any "rough" spots on your playset. Please note this is a requirement of your warranty.
- Assembling and maintaining the playset on a level location is very important. As your children play, your playset will slowly dig its way into the soil, and it is very important that it settles evenly. Make sure the playset is level and true one each year or at the beginning of each play season.

Disposal Instructions

When the Playcenter use is no longer desired, it should be disassembled and disposed of in such a way that no unreasonable hazards will exist at the time the unit is discarded.



Third Party Assembly

- Customer may, in their sole discretion, elect to use a third party person or service to assemble this product. Backyard Discovery assumes no responsibility or liability for any charge incurred by the Customer for any assembly services. Please see our warranty for more information about damaged and missing part replacement coverage. Backyard Discovery will not reimburse Customer for the price of parts purchased.
- Modifications made by the consumer to the original activity toy shall be carried out according to the instructions of the manufacturer. In particular, instructions shall be provided with kit/accessory about the installation of rope/nets concerning the minimum diameter, the need for fixation ends, overall length, and positioning in relation to other at both structures.

OWNERS SHALL BE RESPONSIBLE FOR MAINTAINING THE LEGIBILITY OF THE WARNING LABELS



Your Backyard Discovery structure is designed and constructed of quality materials. As with all outdoor products it will weather and wear. To maximize the enjoyment, safety and life of your structure it is important that you properly maintain it.

About Our Wood

Backyard Discovery uses 100% Cedar (C. Lanceolata) wood. Although we take great care in selecting the best quality lumber available, wood is still a product of nature and susceptible to weathering which can change the appearance of your set.

What causes weathering? Does it affect the strength of my product?

One of the main reasons for weathering is the effects of water (moisture); the moisture content of the wood at the surface is different than the interior of the wood. As the climate changes, moisture moves in or out of the wood, causing tension which can result in checking and or warping. You can expect the following due to weathering. These changes will not affect the strength of the product:

1. Checking is surface cracks in the wood along the grain. A post (4" x 4") will experience more checking than a board (1" x 4") because the surface and interior moisture content will vary more widely than in thinner wood.

2. Warping results from any distortion (twisting, cupping) from the original plane of the board and often happens from rapid wetting and drying of the wood.

3. Fading happens as a natural change in the wood color as it is exposed to sun-light and will turn grey over time.

How can I reduce the amount of weathering to wood product?

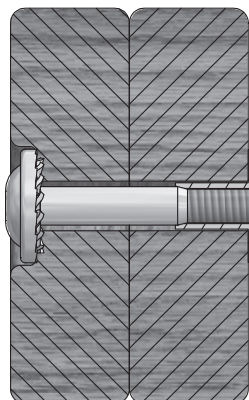
1. Your wood product is coated with a water-based stain. Sunlight will break down the coating, so we recommend applying a water repellent or stain on a yearly basis (see your local stain and paint supplier for a recommended product). You must apply some type of protection (sealant) to the wood of your product. **Please note this is a requirement of your warranty.** Most weathering is just the normal result of nature and will not affect safety. However if you are concerned that a part has experienced a severe weathering problem please call our customer service department for further assistance.

2. Inspect wood parts monthly. The grain of the wood sometimes will lift in the dry season causing splinters to appear. Light sanding may be necessary to maintain a safe environment. Treating your Product with protection (sealant) after sanding will help prevent severe checking/splitting and other weather damage.



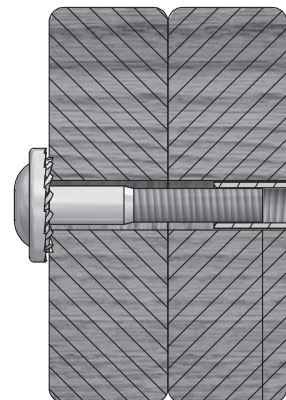
Protrusion Hazard

Incorrect



If you see exposed threads and your bolt protrudes beyond the T-Nut you may have over tightened the bolt or used incorrect hardware. If you've overtightened, remove the bolt and add washers to eliminate the protrusion.

Correct

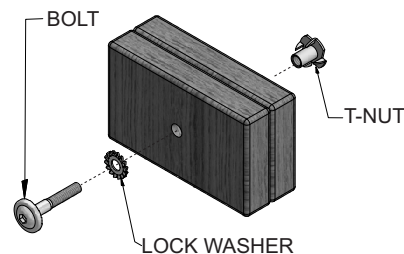


1/8"

Proper Hardware Assembly

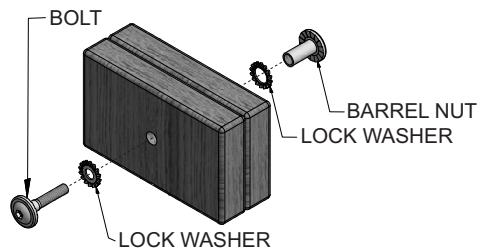
Bolt and T-Nut Assembly

Tap T-nut into the provided hole. Insert your bolt through the lock washer and insert into the provided hole opposite from the T-Nut. Turn clockwise to thread into T-nut. Do not completely tighten until instructed.



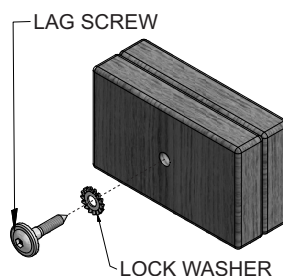
Bolt and Barrel Nut Assembly

Insert barrel nut through the lock washer and press the pair through the provided hole. Insert your bolt through the second lock washer and insert the pair into the provided hole opposite from the barrel nut. Turn clockwise to thread into the barrel nut. Do not completely tighten until instructed.



Lag Assembly

Normally there will be a pre-drilled pilot hole on assemblies that require a Lag Screw. If there is no pilot hole, line up the two boards as they are to be attached and use the factory drilled hole as a guide to drill another pilot hole into the adjoining board. This will keep the wood from splitting. Only a lock washer is required for steps with Lag Screws.

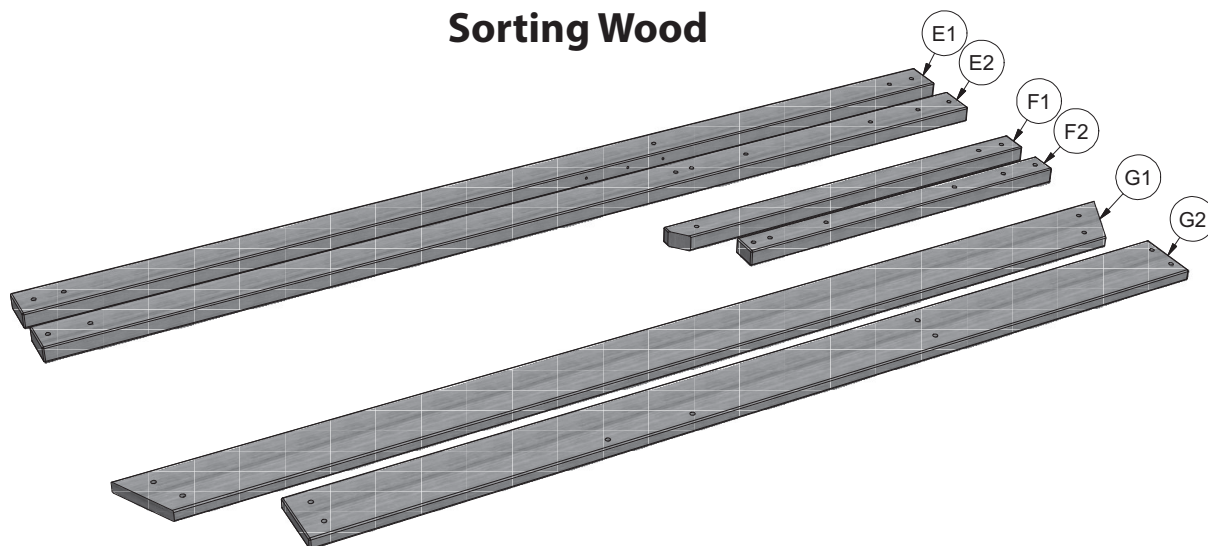




ASSEMBLY TIP:

Keep an eye out for these boxes which will contain helpful pictures and information making the assembly process as quick and painless as possible.

Sorting Wood



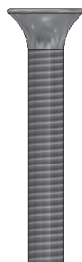
When removing the wood from the boxes we recommend arranging them by part number before you begin assembly. This will allow for faster assembly and easily identify any parts that may be missing or damaged.

Sorting Hardware

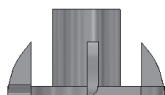
NUT BARREL
H100545



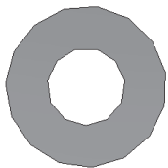
SCREW
H100695



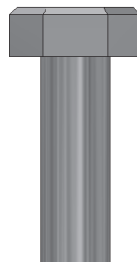
T-NUT
H100699



WASHER FLAT
H100706



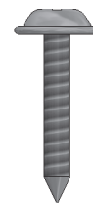
BOLT HEX
H100716



BOLT
H100718



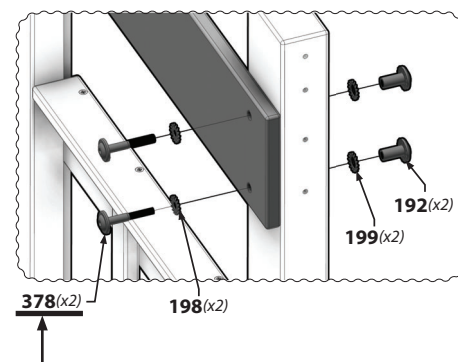
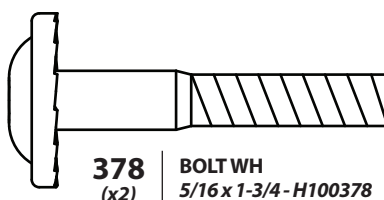
SCREW PWH
H100742

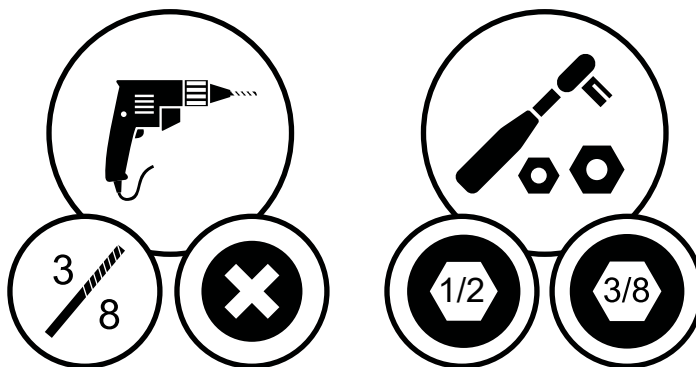
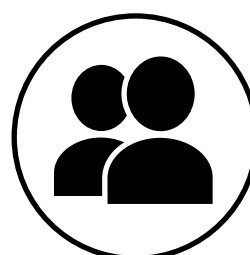
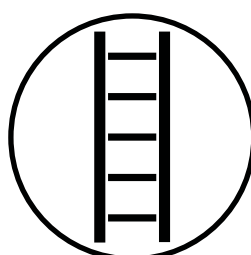
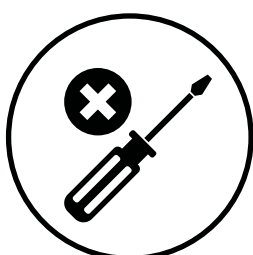
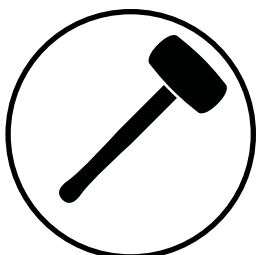
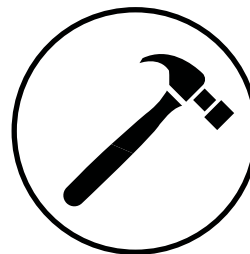
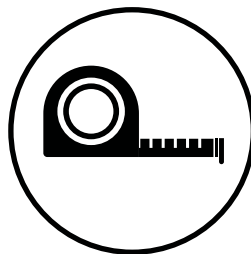
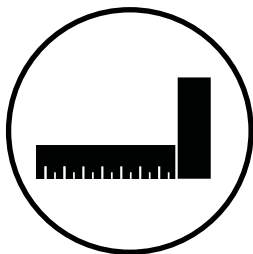
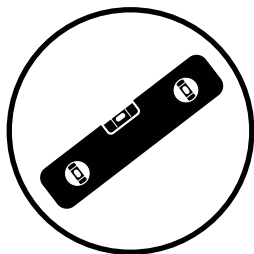


To help with assembly we recommend sorting your hardware bags with the seven digit alpha-numeric number printed on the bags or by hardware type (i.e. bolts, nuts, etc.). Organizing your hardware will make assembly easier.

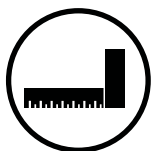
Hardware Identification

Hardware bags are printed with a seven digit alpha-numeric part number. During assembly you only need to reference the last three digits of the part number as noted in each step. This will make finding the correct hardware easier.





Icons and their uses you will see throughout this manual



You will need to make sure that your assembly is square before tightening your bolts.



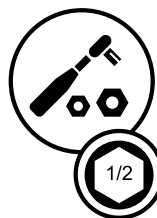
For proper assembly you will need to ensure that your structure is level before proceeding to the next step.



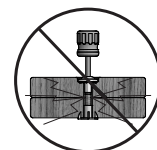
Some steps in the assembly process will require an extra set of hands. Make sure you have a helper available.



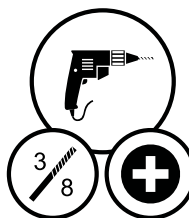
This icon shows the size of an open ended wrench. Using the wrench as the fraction bar.



When you see this icon you will need a socket wrench. The icons below show the size of attachments needed for assembly 1/2.



This icon warns you to not over tighten your bolts. This is to prevent structural damage and also splintering your wood.



This icon will show you what drill attachments are needed. For this example you will need a Phillips head attachment and 3/8 socket.



Place the set on level ground, not less than 6 ft 7 in [2 m] from any structure or obstruction such as a fence, garage, house, overhanging branches, laundry lines, or electrical wires.

- While assembling unit, take time before and after each phase to make sure fort is level. If fort is not level, assembly will be difficult and improper assembly may result. Extra care must be taken to insure the fort is square.
- The safe play area refers to a zone extending 6 ft 7 in (2m) beyond the play product on all sides, including the space above the play product.

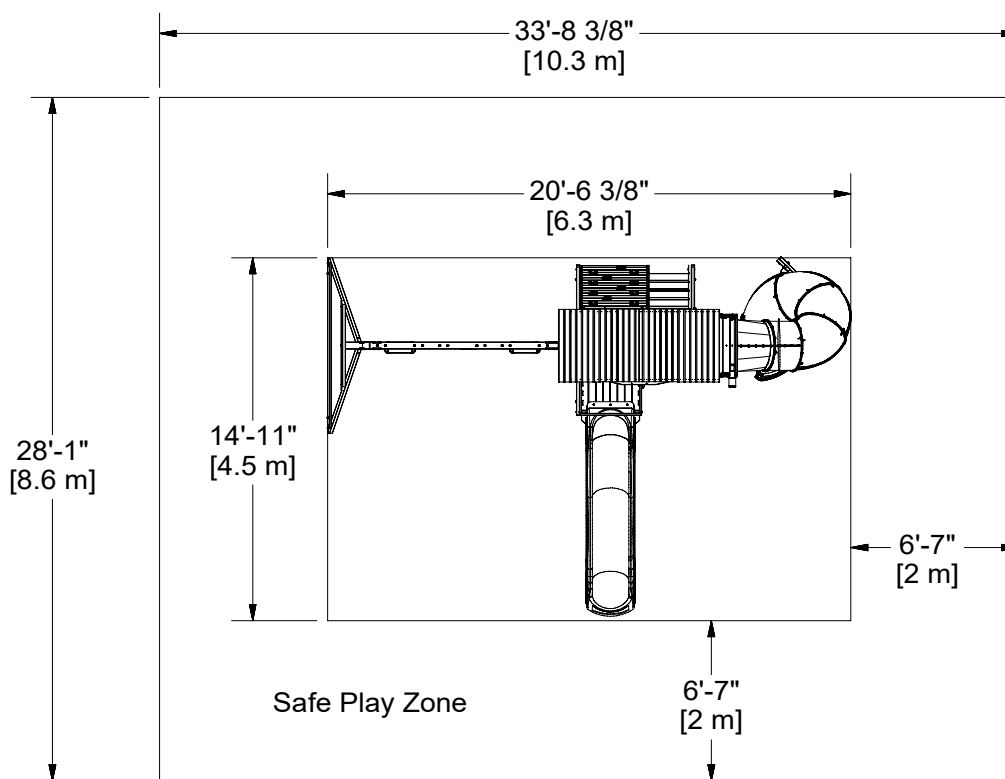
SAFE PLAY AREA DIAGRAM

Ground Dimension

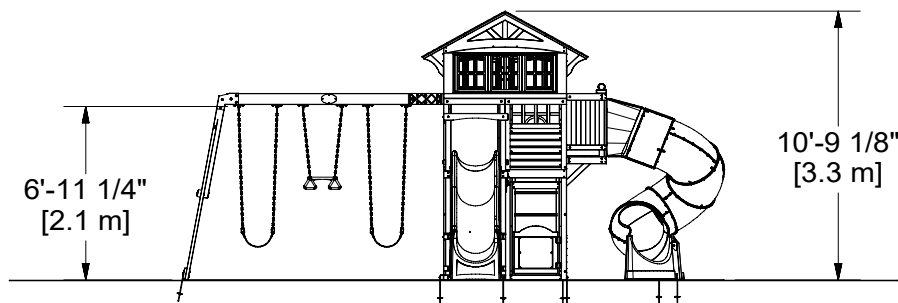
20'-6 3/8" (6.3m) x 14'-11" (4.5m) x 10'-9 1/8" (3.3m)

Safe Play Area

33'-8 3/8" x 28'-1"



SAFE PLAY HEIGHT: 17'-4 1/8" [5.2M]
MAXIMUM FALL HEIGHT: 6'-11 1/4" [2.1M]



General Information

Your set has been designed and engineered for children only and for residential use only.
 A maximum of 150 lbs. per child is recommended for play activities designed for individual use.
 A maximum of 120 lbs. per child is recommended for play activities designed for multiple child use.
 A maximum of 9 children is recommended for this swing set.



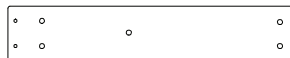
Wood Components (Not to Scale)



A1 | SWING BEAM - W4L12327
(x1) 3-3/8" x 5-1/4" x 89-1/2" (86 x 134 x 2274)



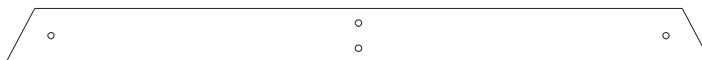
A2 | SWING BEAM 9" BLOCK - W4L12326
(x1) 3-3/8" x 5-1/4" x 9" (86 x 134 x 228)



E1 | RAIL - W4L12344
(x2) 1-3/8" x 3-3/8" x 18" (36 x 86 x 462)



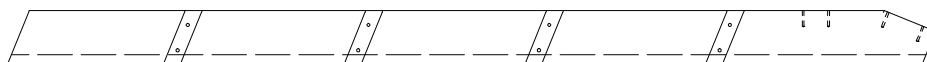
E2 | ANGLE BRACE - W4L12328
(x2) 1-3/8" x 3-3/8" x 88-3/4" (36 x 86 x 2254)



E3 | END SUPPORT - W4L12329
(x1) 1-3/8" x 3-3/8" x 44-1/8" (36 x 86 x 1120)



E80 | LEFT UPRIGHT - W4L11751
(x1) 1-3/8" x 3-3/8" x 58" (36 x 86 x 1474)



E81 | MIDDLE UPRIGHT - W4L11752
(x1) 1-3/8" x 3-3/8" x 58" (36 x 86 x 1474)



E83 | RIGHT UPRIGHT - W4L11756
(x1) 1-3/8" x 3-3/8" x 58" (36 x 86 x 1474)



F1 | POST - W4L12337
(x1) 1-3/8" x 2-3/8" x 80" (36 x 60 x 2032)



F2 | ANGLE BRACE - W4L12343
(x2) 1-3/8" x 3-3/8" x 20-1/8" (36 x 86 x 510)



F3 | POST - W4L12481
(x1) 1-3/8" x 2-3/8" x 80" (36 x 60 x 2032)



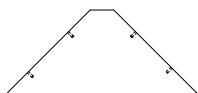
F4 | GROUND BOARD - W4L12487
(x1) 1-3/8" x 2-3/8" x 74-1/8" (36 x 60 x 1883)



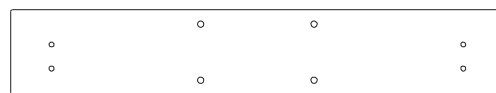
Wood Components (Not to Scale)



F5 | **GROUND BOARD - W4L12488**
(x1) 1-3/8" x 2-3/8" x 24-1/4" (36 x 60 x 617)



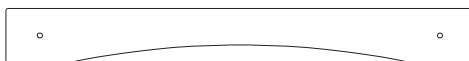
G1 | **ANGLE BRACE - W4L12473**
(x1) 1" x 5-1/4" x 12" (24 x 134 x 305)



G2 | **RAIL - W4L12485**
(x1) 1" x 5-1/4" x 30-7/8" (24 x 134 x 784)



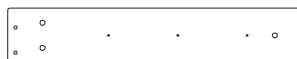
G50 | **GROUND BOARD - W4L12330**
(x1) 1" x 5 1/4" x 86 3/4" (24 x 134 x 2202)



H2 | **ARCHED RAIL - W4L12342**
(x1) 1" x 3-3/8" x 29-1/4" (24 x 86 x 744)



H3 | **FLOOR JOIST - W4L12345**
(x1) 1" x 3-3/8" x 53-1/4" (24 x 86 x 1352)



H4 | **RAIL - W4L12452**
(x1) 1" x 3-3/8" x 18-1/4" (24 x 86 x 462)



H5 | **FLOOR JOIST - W4L12455**
(x1) 1" x 3-3/8" x 17-1/4" (24 x 86 x 438)



H6 | **RAIL - W4L12456**
(x1) 1" x 3-3/8" x 17-3/8" (24 x 86 x 442)



H7 | **RAIL - W4L12457**
(x1) 1" x 3-3/8" x 18" (24 x 86 x 458)



H8 | **RAIL - W4L12458**
(x1) 1" x 3-3/8" x 29-1/4" (24 x 86 x 744)



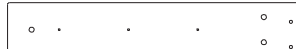
H9 | **RAIL - W4L12451**
(x1) 1" x 3-3/8" x 28" (24 x 86 x 712)



H10 | **ANGLE BRACE - W4L12460**
(x4) 1" x 3-3/8" x 13-3/8" (24 x 86 x 340)



H11 | **RAIL - W4L12462**
(x1) 1" x 2-3/4" x 28" (24 x 71 x 712)



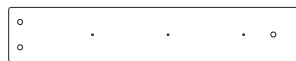
H12 | **RAIL - W4L12463**
(x1) 1" x 3-3/8" x 18-1/4" (24 x 86 x 462)



H13 | **FLOOR JOIST - W4L12482**
(x1) 1" x 3-3/8" x 23" (24 x 86 x 585)



H14 | **FLOOR BRACE - W4L12478**
(x2) 1" x 3-3/8" x 6-3/4" (24 x 86 x 170)



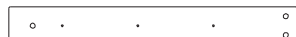
H15 | **RAIL - W4L12339**
(x2) 1" x 3-3/8" x 18" (24 x 86 x 458)



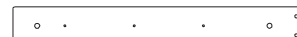
H76 | **LADDER RUNG - W4L11753**
(x4) 1" x 3-3/8" x 19-3/8" (24 x 86 x 493)



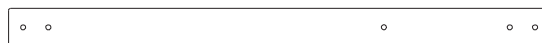
J1 | **BAY WINDOW SIDE - W4L12333**
(x2) 1" x 1-7/8" x 18-1/4" (24 x 48 x 464)



J2 | **RAIL - W4L12338**
(x2) 1" x 2-3/8" x 18" (24 x 60 x 458)



J3 | **RAIL - W4L12453**
(x2) 1" x 2-3/8" x 18-1/4" (24 x 60 x 462)



J4 | **POST - W4L12454**
(x2) 1" x 2-3/8" x 33-7/8" (24 x 60 x 859)



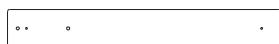
J6 | **BRACE - W4L12469**
(x2) 1" x 2-3/8" x 5-1/8" (24 x 60 x 130)



J5 | **BRACE - W4L12468**
(x2) 1" x 2-3/8" x 4-1/2" (24 x 60 x 115)



J7 | **BOTTOM BOARD - W4L12471**
(x1) 1" x 2-3/8" x 28-3/8" (24 x 60 x 720)



J8 | **BRACE - W4L12472**
(x1) 1" x 2-3/8" x 17-1/8" (24 x 60 x 434)



J9 | **BRACE - W4L12479**
(x2) 1" x 2-3/8" x 30-1/8" (24 x 60 x 765)



Wood Components (Not to Scale)



J10 | DOOR BLOCK - W4L12480
(x1) | 1" x 2-3/8" x 4-1/2" (24 x 60 x 115)



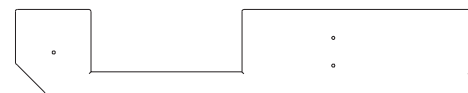
J12 | FLOOR SUPPORT - W4L1772
(x2) | 1" x 2-3/8" x 3-7/8" (24 x 60 x 86)



J13 | BRACE - W4L12474
(x2) | 1" x 2-3/8" x 7-7/8" (24 x 60 x 200)



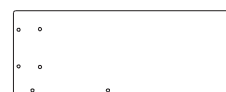
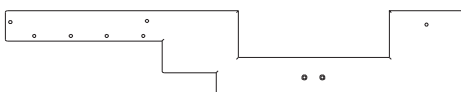
K1 | BAY WINDOW HEADER - W4L12332
(x2) | 5/8" x 5-1/4" x 7-1/4" (16 x 134 x 1199)



K2 | COUNTER TOP - W4L12461
(x1) | 5/8" x 5-1/4" x 28-3/8" (16 x 134 x 720)

K3 | COUNTER TOP - W4L12464
(x1) | 5/8" x 5-1/4" x 27-3/8" (16 x 134 x 696)

K4 | COUNTER TOP - W4L12465
(x1) | 5/8" x 5-1/4" x 28-3/4" (16 x 134 x 730)



K5 | COUNTER TOP - W4L12466
(x1) | 5/8" x 5-1/4" x 28-3/4" (16 x 134 x 730)

K6 | COUNTER TOP - W4L12467
(x1) | 5/8" x 5-1/4" x 14-1/8" (16 x 134 x 358)

K7 | COUNTER TOP - W4L12475
(x1) | 5/8" x 5-1/4" x 14-1/8" (16 x 134 x 358)



M73 | REAR SUPPORT - W4L11754
(x1) | 5/8" x 3-3/8" x 21-1/2" (16 x 86 x 545)

M74 | ROCK BOARD - W4L11757
(x8) | 5/8" x 3-3/8" x 31-1/4" (16 x 86 x 794)

M75 | ROCK BOARD - W4L11758
(x4) | 5/8" x 3-3/8" x 31-1/4" (16 x 86 x 794)



M76 | ROCK BOARD - W4L11759
(x4) | 5/8" x 3-3/8" x 31-1/4" (16 x 86 x 794)

N1 | RAIL - W4L12334
(x1) | 5/8" x 2-3/8" x 28-3/8" (16 x 60 x 720)

N3 | RAIL - W4L12340
(x6) | 5/8" x 2-3/8" x 24-5/8" (16 x 60 x 626)



N4 | PICKET - W4L12341
(x4) | 5/8" x 2-3/8" x 17-5/8" (16 x 60 x 448)

N5 | RAIL - W4L12470
(x1) | 5/8" x 2-3/8" x 28-3/8" (16 x 60 x 720)

N6 | PICKET - W4L12582
(x6) | 5/8" x 2 3/8" x 27 1/8" (16 x 60 x 690)



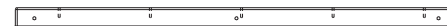
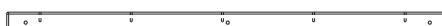
N74 | ROCK BOARD - W4L11760
(x1) | 5/8" x 2-3/8" x 31-1/4" (16 x 60 x 794)



O1 | TRIM - W4L12476
(x1) | 5/8" x 1-3/8" x 21-1/4" (16 x 34 x 540)

O2 | TRIM - W4L12477
(x2) | 5/8" x 1-3/8" x 9-1/8" (16 x 34 x 233)

O3 | BLOCK - W4L12603
(x1) | 5/8" x 1 3/8" x 3 7/8" (16 x 34 x 100)



O70 | SLIDE MOUNTING BOARD - W102822
(x1) | 5/8" x 1-3/8" x 20-3/8" (16 x 34 x 517)

T2 | TRIM - W4L12483
(x1) | 1" x 1-3/8" x 27-5/8" (24 x 34 x 702)

T3 | TRIM - W4L12484
(x1) | 1" x 1-3/8" x 27-5/8" (24 x 34 x 702)



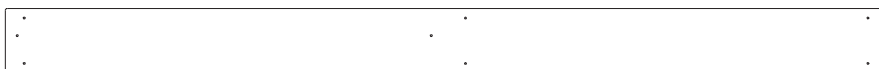
T4 | TRIM - W4L11771
(x1) | 1" x 1-3/8" x 17" (24 x 34 x 432)

T5 | WINDOW TRIM - W4L12604
(x1) | 1" x 1-3/8" x 23-3/8" (24 x 34 x 595)

T6 | WINDOW TRIM - W4L12605
(x3) | 1" x 1-3/8" x 11-1/4" (24 x 34 x 285)



SP50 | SWING BEAM SUPPORT - W4L12331
(x1) | 3-3/8" x 3-3/8" x 49-3/8" (86 x 86 x 1254)

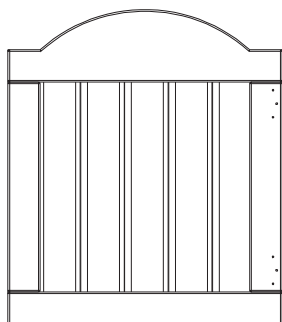


Y1 | RAIL - W4L12336
(x1) | 5/8" x 4" x 55-1/8" (16 x 102 x 1400)

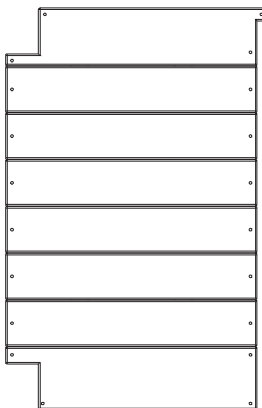
Y2 | ATTACHMENT BOARD - W4L11755
(x1) | 5/8" x 4" x 56-1/8" (16 x 102 x 1424)



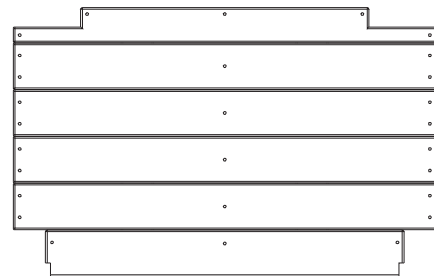
Wood Components (Not to Scale)



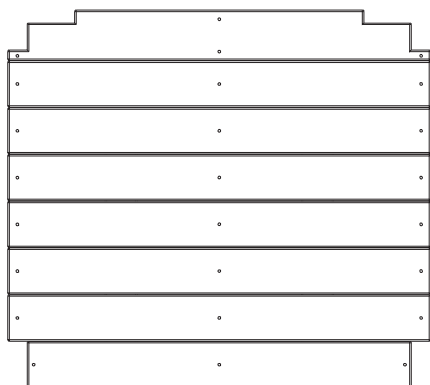
DP1 | DOOR PANEL - W2A02773
(x1) | 1-1/16" x 20" x 22-15/16" (27 x 508 x 582)



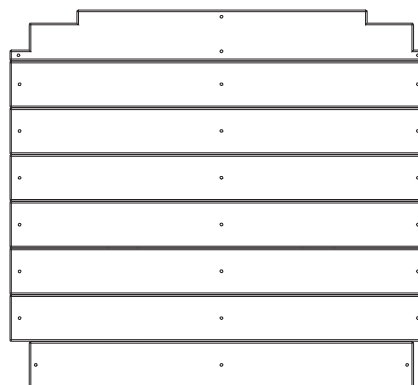
FP1 | FLOOR PANEL - W2A02777
(x1) | 1-1/4" x 19" x 29-1/4" (32 x 482 x 744)



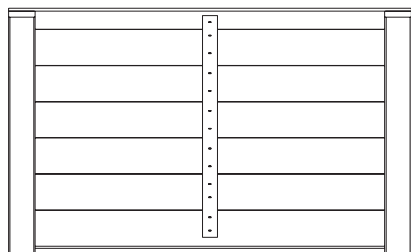
FP2 | FLOOR PANEL - W2A02778
(x1) | 1-1/4" x 19-9/16" x 30-7/8" (32 x 498 x 784)



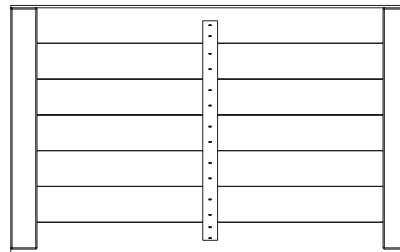
FP3 | FLOOR PANEL - W2A02779
(x1) | 1-1/4" x 27-3/4" x 30-7/8" (32 x 705 x 784)



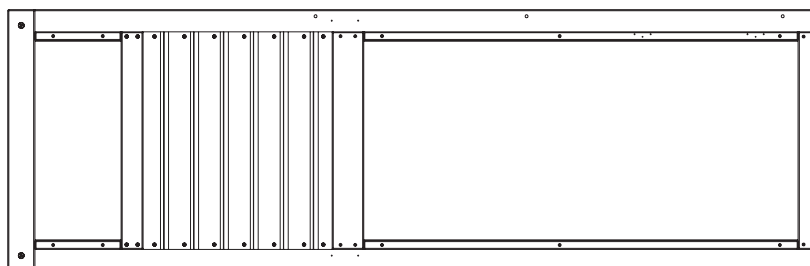
FP4 | FLOOR PANEL - W2A02780
(x1) | 1-1/4" x 27-1/2" x 30-3/8" (32 x 699 x 772)



RP1 | ROOF PANEL - W2A02781
(x2) | 1-3/8" x 21-7/8" x 35-13/16" (35 x 556 x 910)



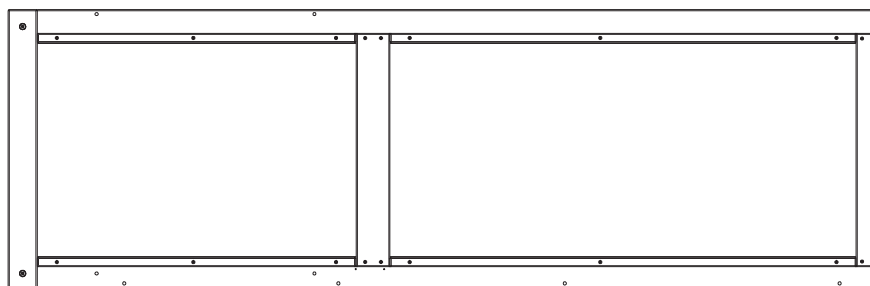
RP2 | ROOF PANEL - W2A02782
(x2) | 1-3/8" x 22-5/8" x 35-13/16" (35 x 575 x 910)



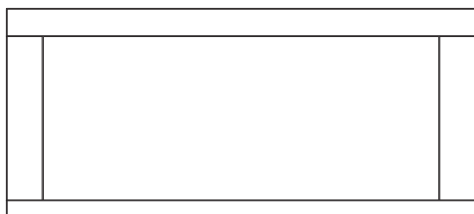
WP1 | WALL PANEL - W2A02767
(x1) | 1-7/16" x 28-1/16" x 87-3/16" (36 x 712 x 2214)



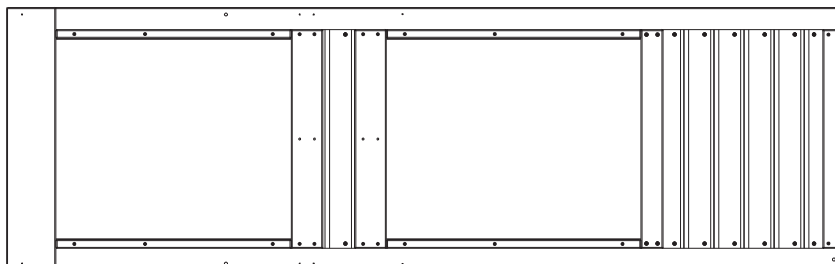
Wood Components (Not to Scale)



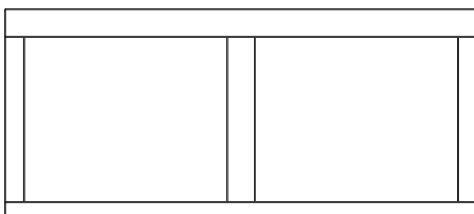
WP2 | WALL PANEL - W2A02768
(x1) | 1-7/16" x 28-1/16" x 87-3/16" (36 x 712 x 2214)



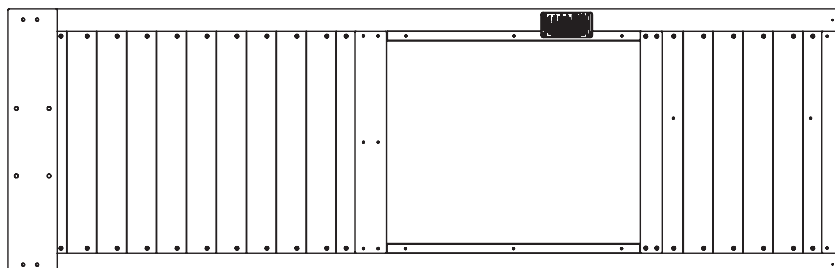
WP3 | FRONT WINDOW FRAME - W2A02769
(x1) | 1-7/16" x 25-3/16" x 56-1/16" (36 x 640 x 1424)



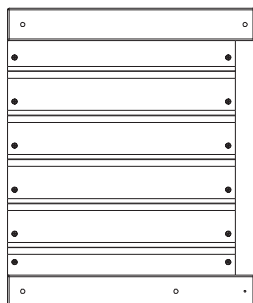
WP4 | WALL PANEL - W2A02770
(x1) | 1-7/16" x 28-1/16" x 89-1/2" (36 x 712 x 2274)



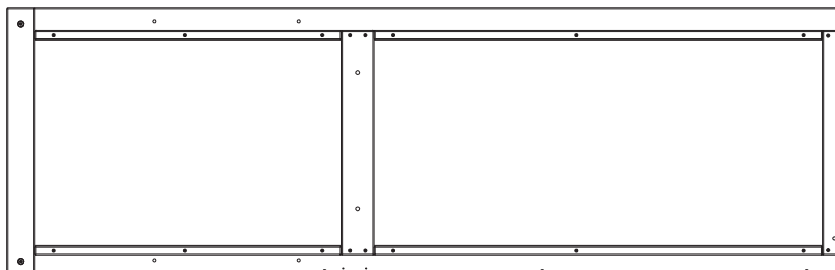
WP6 | REAR WINDOW FRAME - W2A02772
(x1) | 1-7/16" x 25-3/16" x 56-1/16" (36 x 640 x 1424)



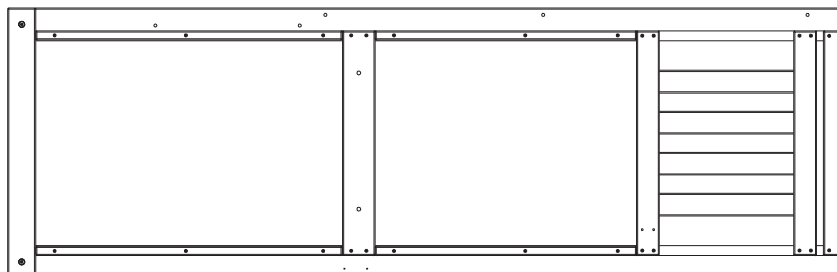
WP7 | WALL PANEL - W2A02774
(x1) | 1-7/16" x 28-1/16" x 89-1/2" (36 x 712 x 2274)



WP8 | WALL PANEL - W2A02775
(x1) | 1-7/16" x 18-1/16" x 21-13/16" (36 x 458 x 554)



WP9 | WALL PANEL - W2A02776
(x1) | 1-7/16" x 28-1/16" x 87-3/16" (36 x 712 x 2214)



WP10 | WALL PANEL - W2A02783
(x1) | 1-9/16" x 28-1/16" x 87-3/16" (40 x 712 x 2214)



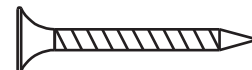
Hardware



H100085 | SCREW PFH
(x2) 8x1 - H100085



H100086 | SCREW PFH
(x189) 8x1-1/2 - H100086



H100087 | SCREW PFH
(x26) 8x1-1/4 - H100087



H100088 | SCREW PFH
(x53) 8x1-1/8 - H100088



H100089 | SCREW PFH
(x30) 8x1-3/4 - H100089



H100090 | SCREW PFH
(x13) 8x2-1/2 - H100090



H100092 | SCREW PFH
(x7) 8x3 - H100092



H100111 | SCREW PFH
(x11) 8x2 - H100111



H100121 | SCREW PFH
(x3) 8x3/4 - H100121



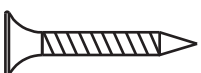
H100200 | SCREW PFH BLK
(x22) 8x1-1/2 - H100200



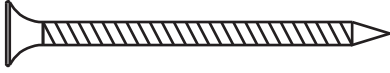
H100201 | SCREW PFH BLK
(x33) 8x2-1/2 - H100201



H100202 | SCREW PWH BLK
(x46) 8x5/8 - H100202



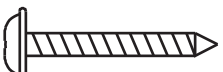
H100385 | SCREW PFH BLK
(x17) 8x1 - H100385



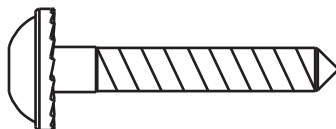
H100391 | SCREW PFH BLK
(x15) 8x2 - H100391



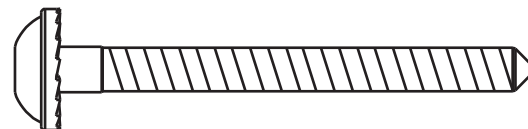
H100536 | SCREW PWH BLK
(x2) 8x1-1/4 - H100536



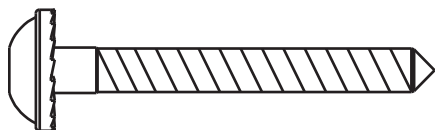
H100785 | SCREW PWH
(x98) 8x1 - H100785



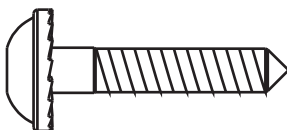
H100403 | LAG SCREW WH BLK
(x2) 1/4x1-1/2 - H100403



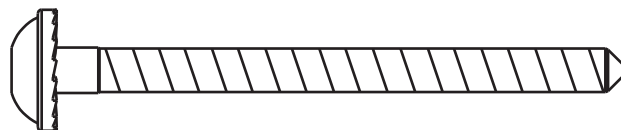
H100456 | LAG SCREW WH BLK
(x22) 1/4x2-1/2 - H100456



H100487 | LAG SCREW WH BLK
(x12) 1/4x2 - H100487



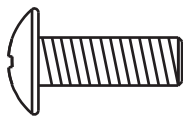
H100568 | LAG SCREW WH BLK
(x20) 1/4x1-1/4 - H100568



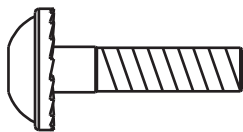
H100792 | LAG SCREW WH BLK
(x1) 1/4x3 - H100792



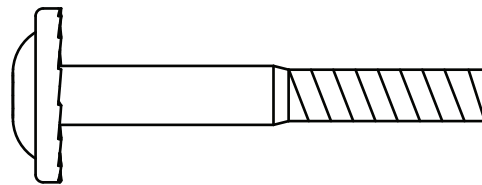
Hardware



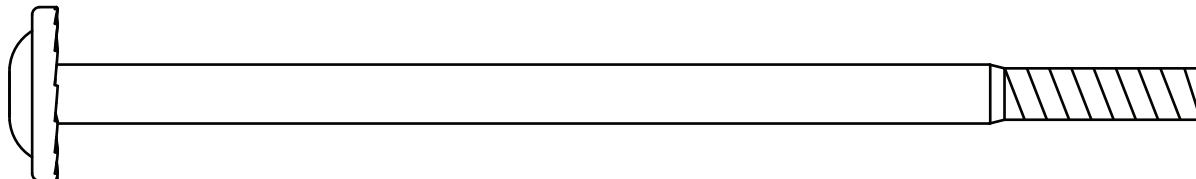
H100063 | BOLT PTH
(x26) | 1/4 x 3/4 - H100063



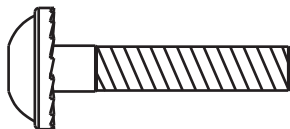
H100171 | BOLT WH BLK
(x9) | 1/4 x 1 - H100171



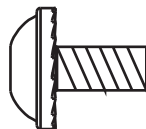
H100205 | BOLT WH BLK
(x2) | 5/16 x 2-1/4 - H100205



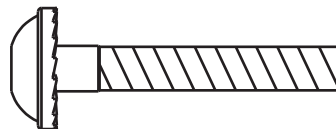
H100363 | BOLT WH BLK
(x1) | 5/16 x 6 - H100363



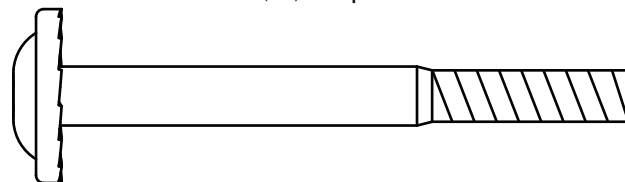
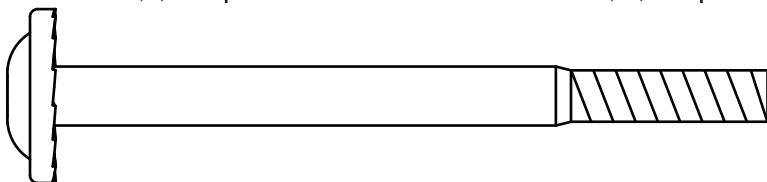
H100397 | BOLT WH BLK
(x3) | 1/4 x 1-1/4 - H100397



H100401 | BOLT WH BLK
(x11) | 1/4 x 1/2 - H100401

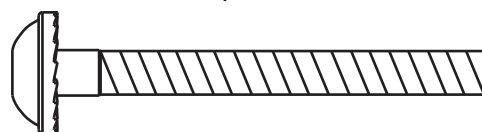
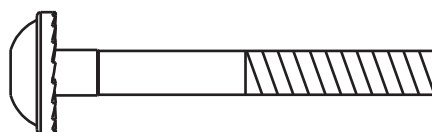
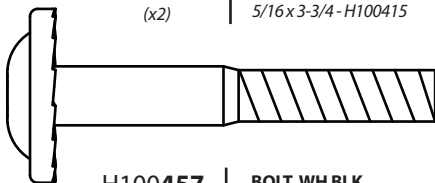


H100406 | BOLT WH BLK
(x25) | 1/4 x 1-1/2 - H100406



H100415 | BOLT WH BLK
(x2) | 5/16 x 3-3/4 - H100415

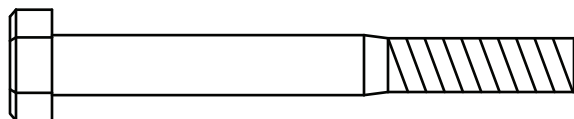
H100416 | BOLT WH BLK
(x13) | 5/16 x 3 - H100416



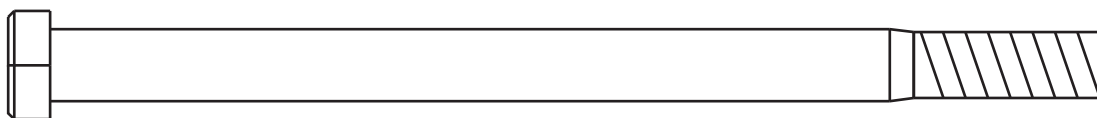
H100457 | BOLT WH BLK
(x4) | 5/16 x 2 - H100457

H100488 | BOLT WH BLK
(x18) | 1/4 x 2 - H100488

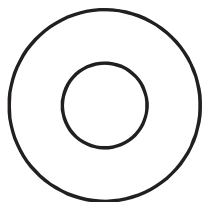
H100567 | BOLT WH BLK
(x19) | 1/4 x 2-1/4 - H100567



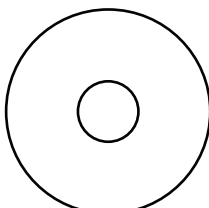
H100658 | BOLT HEX BLK
(x4) | 5/16 x 2-1/2 - H100658



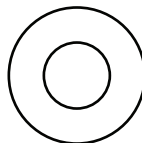
H100654 | BOLT HEX
(x13) | 3/8 x 5-1/2 - H100654



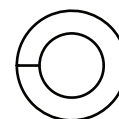
H100102 | WASHER FLAT
(x13) | 11 x 25 - H100102



H100478 | WASHER FLAT BLK
(x4) | 8x27 - H100478



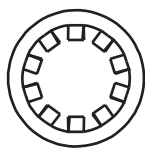
H100474 | WASHER FLAT BLK
(x8) | 9x18 - H100474



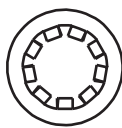
H100477 | WASHER SPLIT BLK
(x4) | 5/16 - H100477



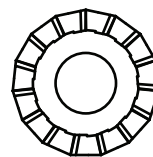
Hardware



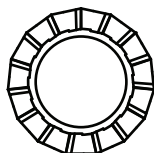
H100107 | WASHER LOCK INT
(x13) | 10x18 - H100107



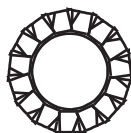
H100108 | WASHER LOCK INT
(x26) | 8x15 - H100108



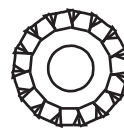
H100198 | WASHER LOCK EXT BLK
(x10) | 8x19 - H100198



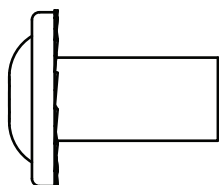
H100199 | WASHER LOCK EXT BLK
(x10) | 12x19 - H100199



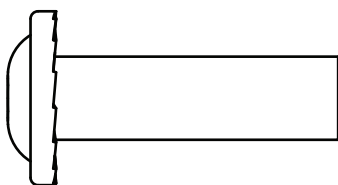
H100400 | WASHER LOCK EXT BLK
(x40) | 8x15 - H100400



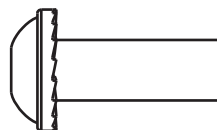
H100405 | WASHER LOCK EXT BLK
(x69) | 6x15 - H100405



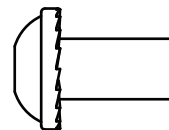
H100192 | NUT BARREL WH BLK
(x21) | 5/16x7/8 - H100192



H100193 | NUT BARREL WH BLK
(x2) | 5/16x1-1/2 - H100193



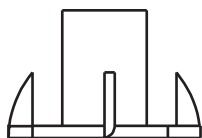
H100399 | NUT BARREL WH BLK
(x34) | 1/4x7/8 - H100399



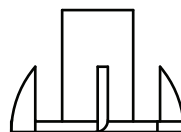
H100404 | NUT BARREL WH BLK
(x6) | 1/4x5/8 - H100404



H100072 | T-NUT
(x26) | 1/4 - H100072



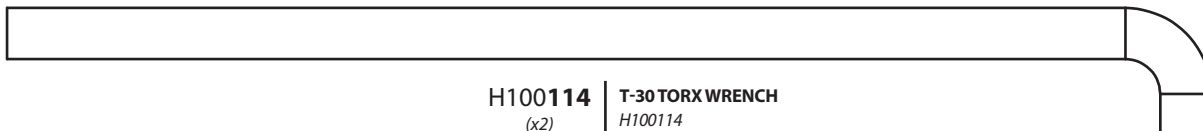
H100073 | T-NUT
(x13) | 3/8 - H100073



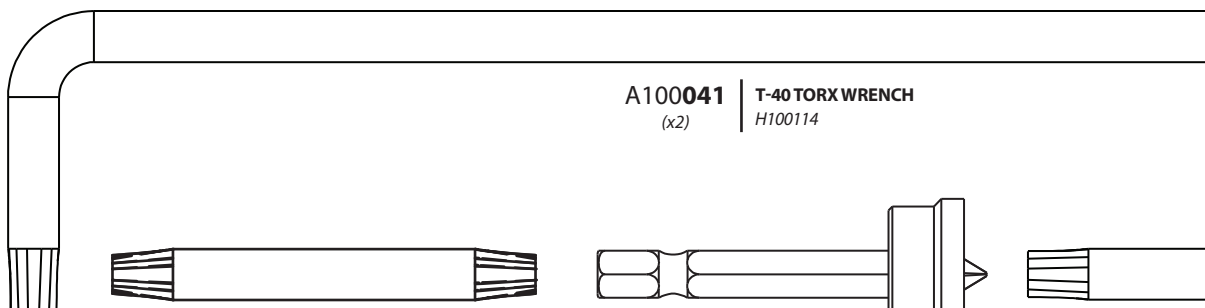
H100379 | T-NUT BLK
(x4) | 5/16 - H100379



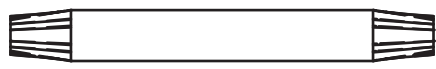
H100398 | T-NUT BLK
(x44) | 1/4 - H100398



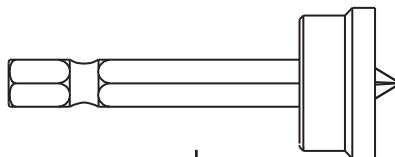
H100114 | T-30 TORX WRENCH
(x2) | H100114



A100041 | T-40 TORX WRENCH
(x2) | H100114



H100147 | T-30 TORX BIT
(x2) | H100147



H100764 | SCREW SETTER
(x2) | H100764



A100042 | T-40 TORX BIT
(x2) | H100042



Accessories (Not to Scale)



A6P00054 | SWING SEAT GREEN 22"
(x2) | A6P00054



A100047 | CHAIN GREEN 57"
(x4) | A100047



A4M00710 | L BRACKET BLACK 32X51
(x11) | A4M00710



A100069 | QUICK LINK
(x6) | A100069



A100107 | STEERING WHEEL KIT
(x1) | A100107



A100118 | HAND GRIP
(x3) | A100118



A100164 | BYD ID TAG
(x1) | A100164



A100177 | CHAIN GREEN 31"
(x2) | A100177



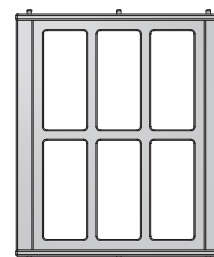
A100178 | G METAL GROUND STAKE
(x7) | BROWN - A100178



A100314 | 'A' REVISION TAG
(x1) | A100314



A100327 | HINGE, SPRING LOADED
(x1) | A100327



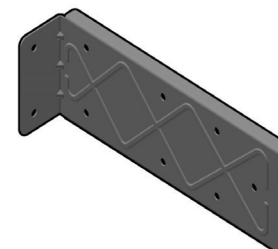
A100373 | BAY WINDOW PANEL
(x3) | A100373



A4M00855 | L BRACKET 51X32X82X3.125
(x6) | A4M00855



A4M00505 | SWING HANGER
(x6) | QUICK LINK - A4M00505



A4M00993 | EXT. SWING BEAM BRACKET
(x2) | A4M00993



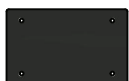
Accessories (Not to Scale)



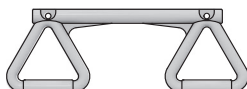
A4M00555 | L BRACKET BLK
(x2) A4M00555



A4M00558 | HINGE, NON-SPRING LOADED
(x1) A4M00558



A4M00995 | METAL CLEAT
(x2) A4M00995



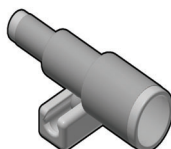
A6P00034 | TRAPEZE
(x1) A6P00034



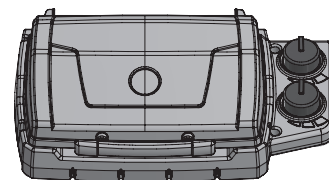
A6P00036 | GREEN HC ROCK #1
(x6) A6P00036



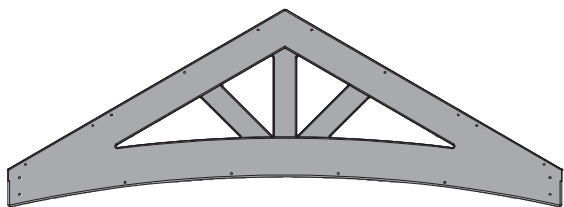
A6P00037 | GREEN HC ROCK #2
(x6) A6P00037



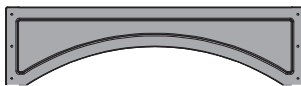
A6P00096 | TELESCOPE
(x1) A6P00096



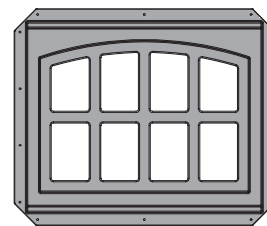
A6P00282 | BBQ GRILL
(x1) A6P00282



A6P00319 | ARCHED GABLE
(x2) A6P00319



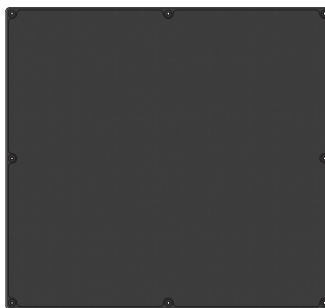
A6P00320 | ARCHED SIDE
(x2) A6P00320



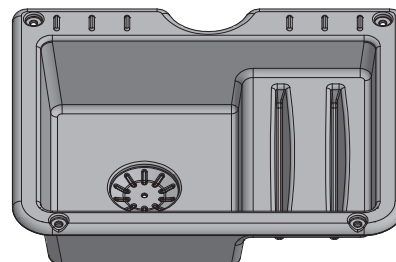
A6P00321 | ARCHED WINDOW
(x2) A6P00321



A6P00323 | CHALK BOARD
(x1) A6P00323



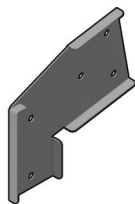
A6P00324 | CHALK BOARD LARGE
(x1) A6P00324



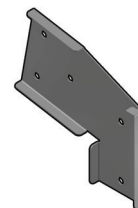
A6P00332 | PREMIUM SINK
(x1) A6P00332



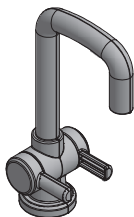
A4M00554 | **BELL ASSEMBLY**
(x1) | A4M00554



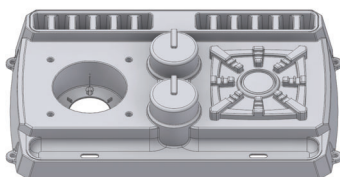
A100325 | **SWING BEAM EXT. BRACKET**
(x1) | Left - A100325



A100326 | **SWING BEAM EXT. BRACKET**
(x1) | Right - A100326



A6P00333 | **FAUCET**
(x1) | A6P00333



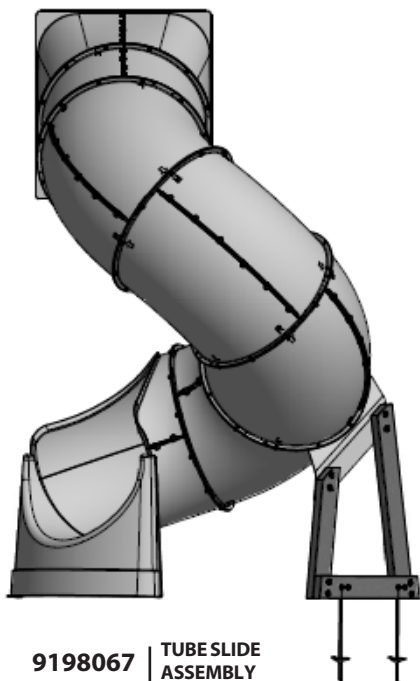
A6P00335 | **STOVE BASE**
(x1) | A6P00335



A6P00327 | **GRILL FOOD SET**
(x1) | A6P00327



BE SURE TO WASH ALL PLASTIC TOYS BEFORE USE.



9198067 | **TUBE SLIDE ASSEMBLY**
(x1) | 9198067



A6P00336 | **BOIL POT**
(x1) | A6P00336



A6P00337 | **POT/PAN LID**
(x2) | A6P00337



A6P00338 | **FRY PAN**
(x1) | A6P00338



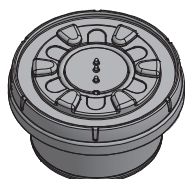
A6P00339 | **SPATULA**
(x1) | A6P00339



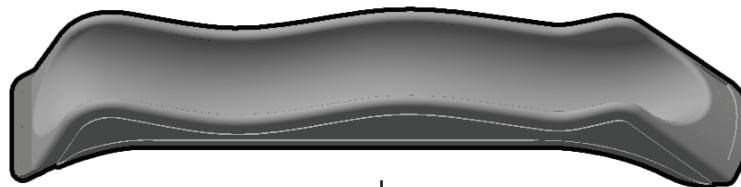
A6P00340 | **LADLE**
(x1) | A6P00340



A6P00331 | **BLENDER**
(x1) | A6P00331



A6P00330 | **INDUCTIVE BURNER**
(x1) | A6P00330



A100287 | **SLIDE V F 10 FT**
(x1) | A100287

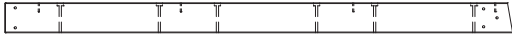
NOTE:

THIS DEVICE COMPLIES WITH PART 15 OF THE FCC RULES. OPERATION IS SUBJECT TO THE FOLLOWING TWO CONDITIONS: (1) THIS DEVICE MAY NOT CAUSE HARMFUL INTERFERENCE (2) THIS DEVICE MUST ACCEPT ANY INTERFERENCE RECEIVED, INCLUDING INTERFERENCE THAT MAY CAUSE UNDESIRABLE OPERATION.



Phase 1

STEP 1



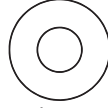
A1 | **SWING BEAM EXTENDED - W4L12327**
(x1) 3-3/8" x 5-1/4" x 89-1/2" (86 x 134 x 2274)



A4M00505 | **SWING HANGER QUICK LINK**
(x6) A4M00505



H100073 | **T-NUT**
(x12) 3/8 - H100073



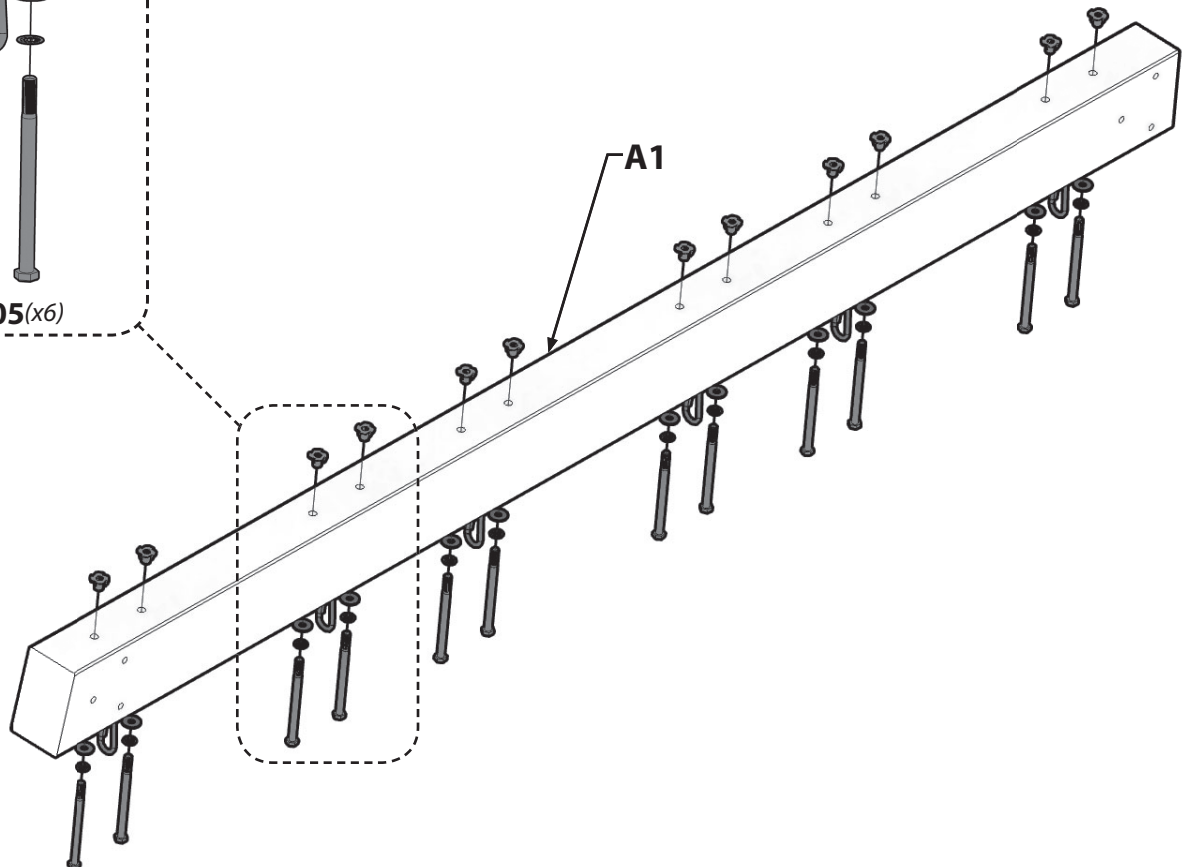
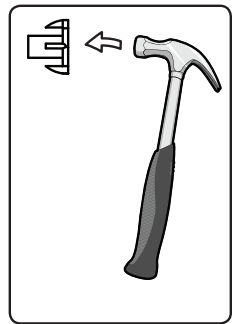
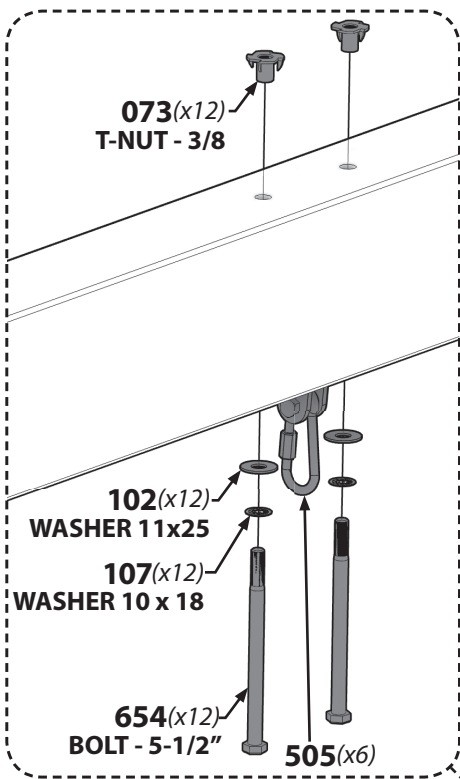
H100102 | **WASHER FLAT**
(x12) 11x25 - H100102



H100107 | **WASHER LOCK INT**
(x12) 10x18 - H100107



H100654 | **BOLT HEX**
(x12) 3/8 x 5-1/2 - H100654



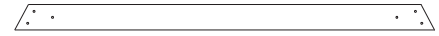


Phase 1

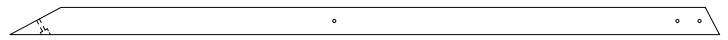
STEP 2



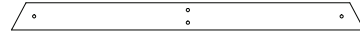
SP50 | SWING BEAM SUPPORT - W4L12331
(x1) | 3-3/8" x 3-3/8" x 49-3/8" (86 x 86 x 1254)



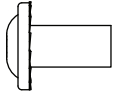
G50 | GROUND BOARD - W4L12330
(x1) | 1" x 5-1/4" x 86-3/4" (24 x 134 x 2202)



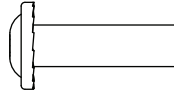
E2 | ANGLE BRACE - W4L12328
(x2) | 1-3/8" x 3-3/8" x 88-3/4" (36 x 86 x 2254)



E3 | END SUPPORT - W4L12329
(x1) | 1-3/8" x 3-3/8" x 44-1/8" (36 x 86 x 1120)



H100192 | NUT BARREL WH BLK
(x7) | 5/16 x 7/8 - H100192



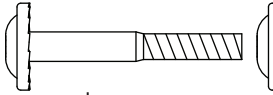
H100193 | NUT BARREL WH BLK
(x2) | 5/16 x 1-1/2 - H100193



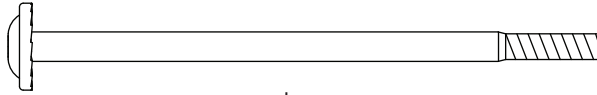
H100198 | WASHER LOCK EXT BLK
(x9) | 8 x 19 - H100198



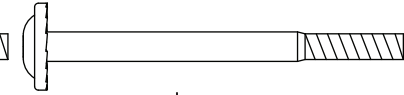
H100199 | WASHER LOCK EXT BLK
(x9) | 12 x 19 - H100199



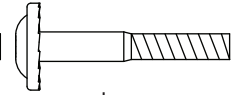
H100205 | BOLT WH BLK
(x2) | 5/16 x 2-1/4 - H100205



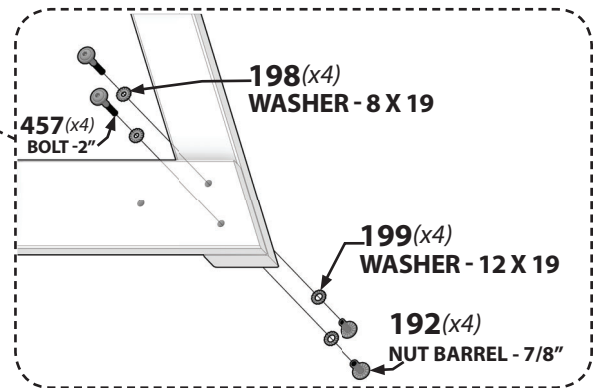
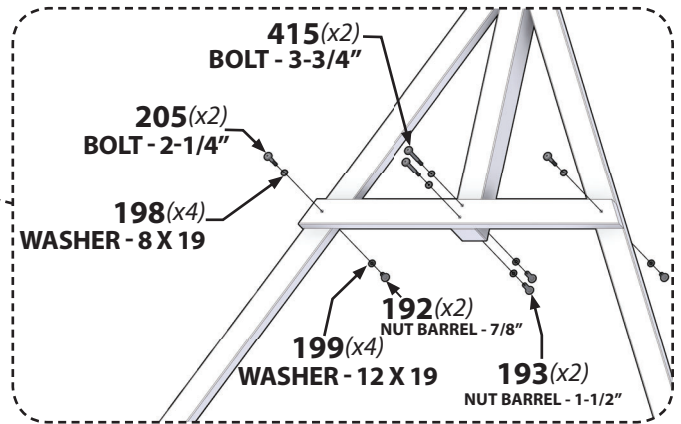
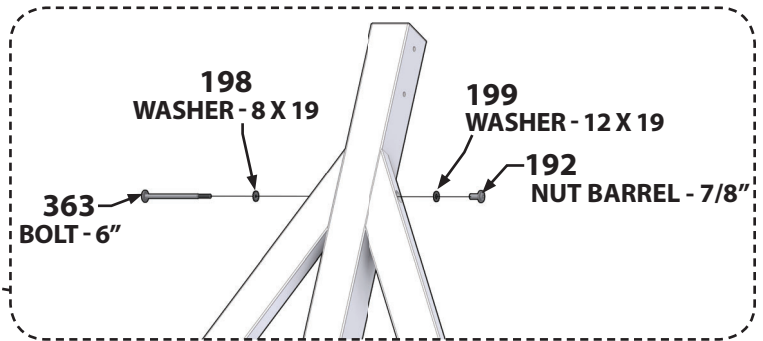
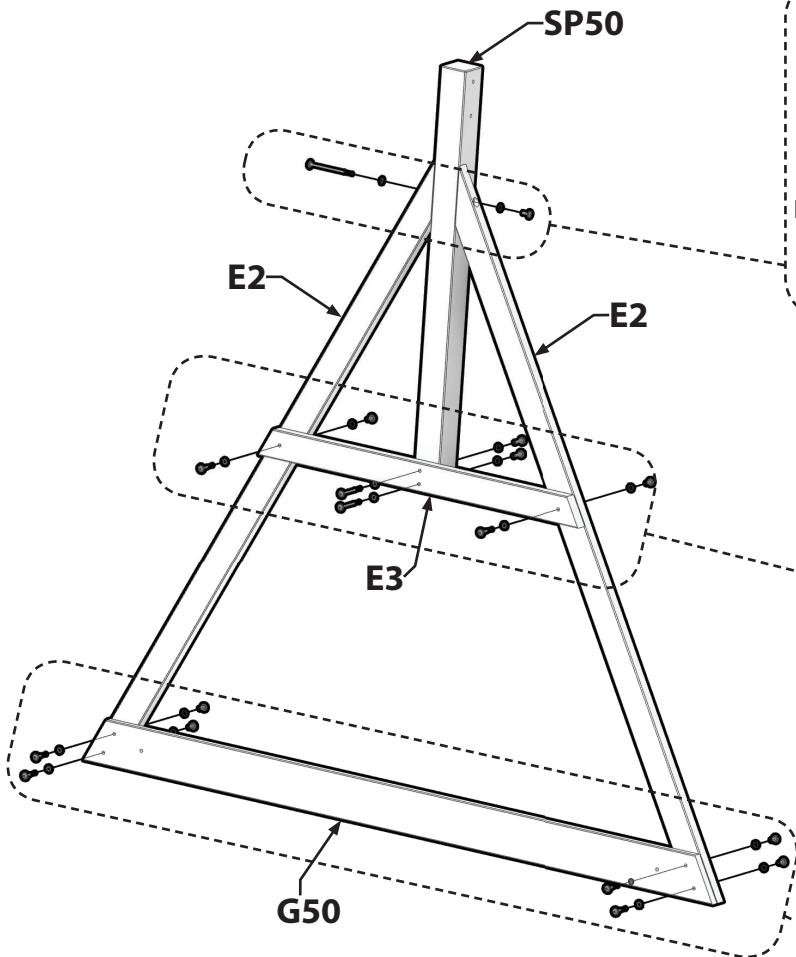
H100363 | BOLT WH BLK
(x1) | 5/16 x 6 - H100363

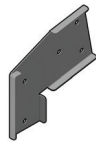


H100415 | BOLT WH BLK
(x2) | 5/16 x 3-3/4 - H100415

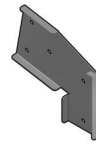


H100457 | BOLT WH BLK
(x4) | 5/16 x 2 - H100457

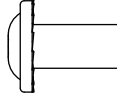




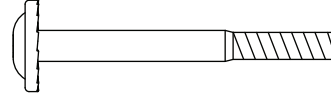
A100325 | SWING BEAM EXT. BRACKET
(x1) | Left - A100325



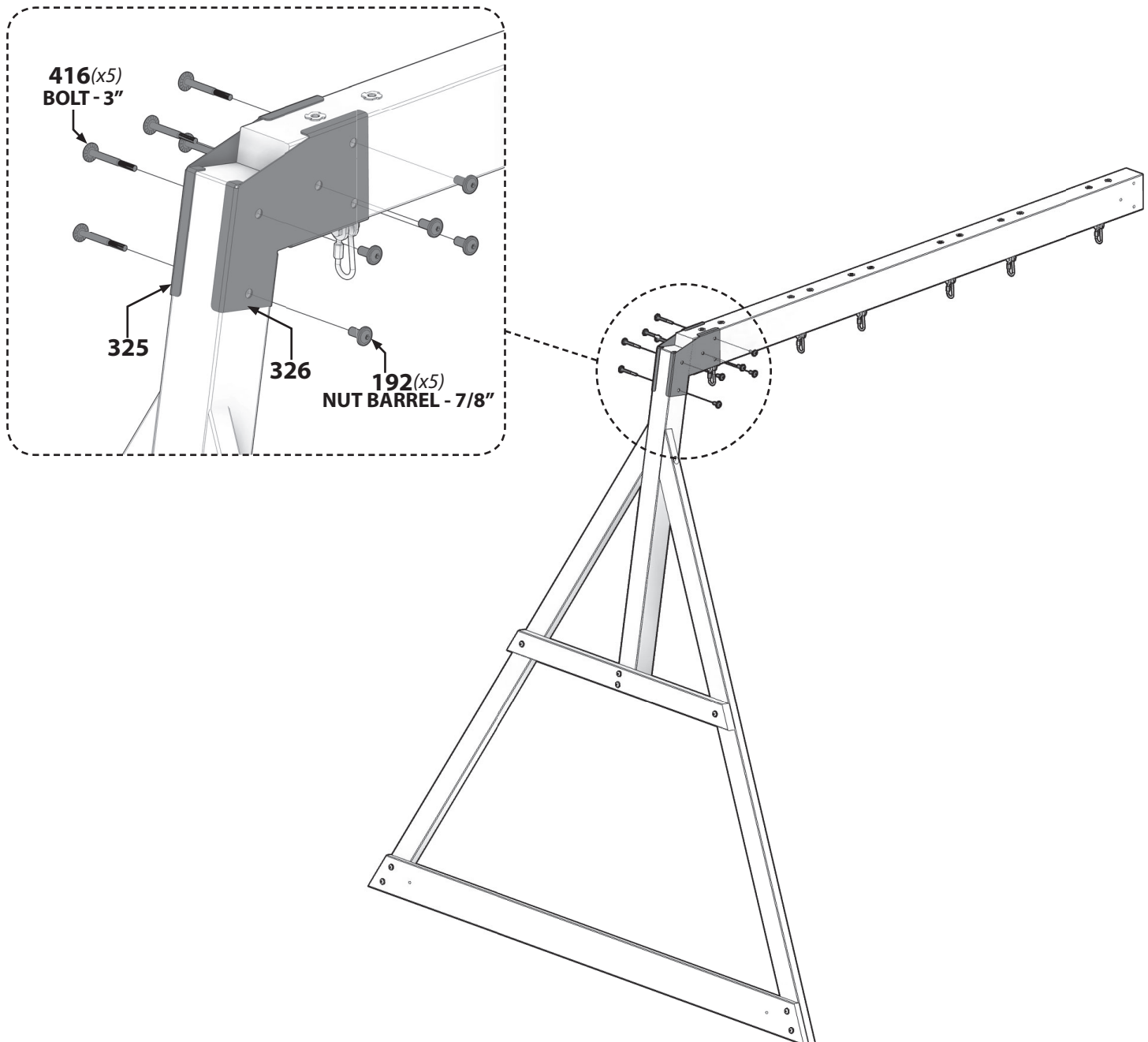
A100326 | SWING BEAM EXT. BRACKET
(x1) | Right - A100326



H100192 | NUT BARREL WH BLK
(x5) | 5/16x7/8 - H100192



H100416 | BOLT WH BLK
(x5) | 5/16x3 - H100416



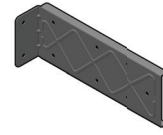


Phase 1

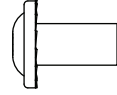
STEP 4



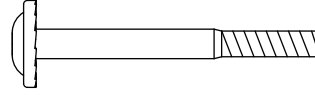
A2 | SWING BEAM 9" BLOCK - W4L12326
(x1) | 3-3/8" x 5-1/4" x 9" (86 x 134 x 228)



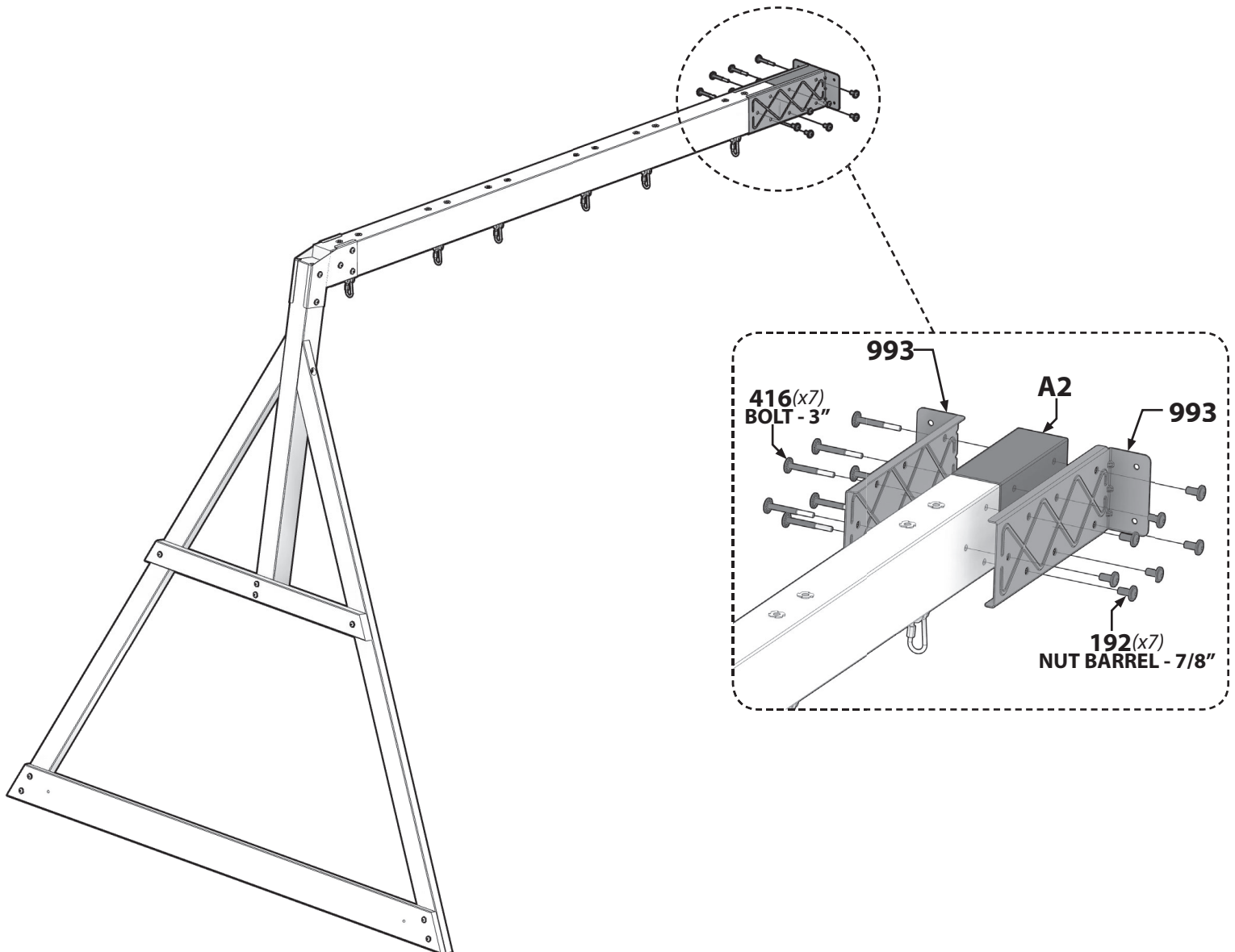
A4M00993 | EXT. SWING BEAM BRACKET
(x2) | A4M00993



H100192 | NUT BARREL WH BLK
(x7) | 5/16 x 7/8 - H100192



H100416 | BOLT WH BLK
(x7) | 5/16 x 3 - H100416





Phase 2

STEP 1



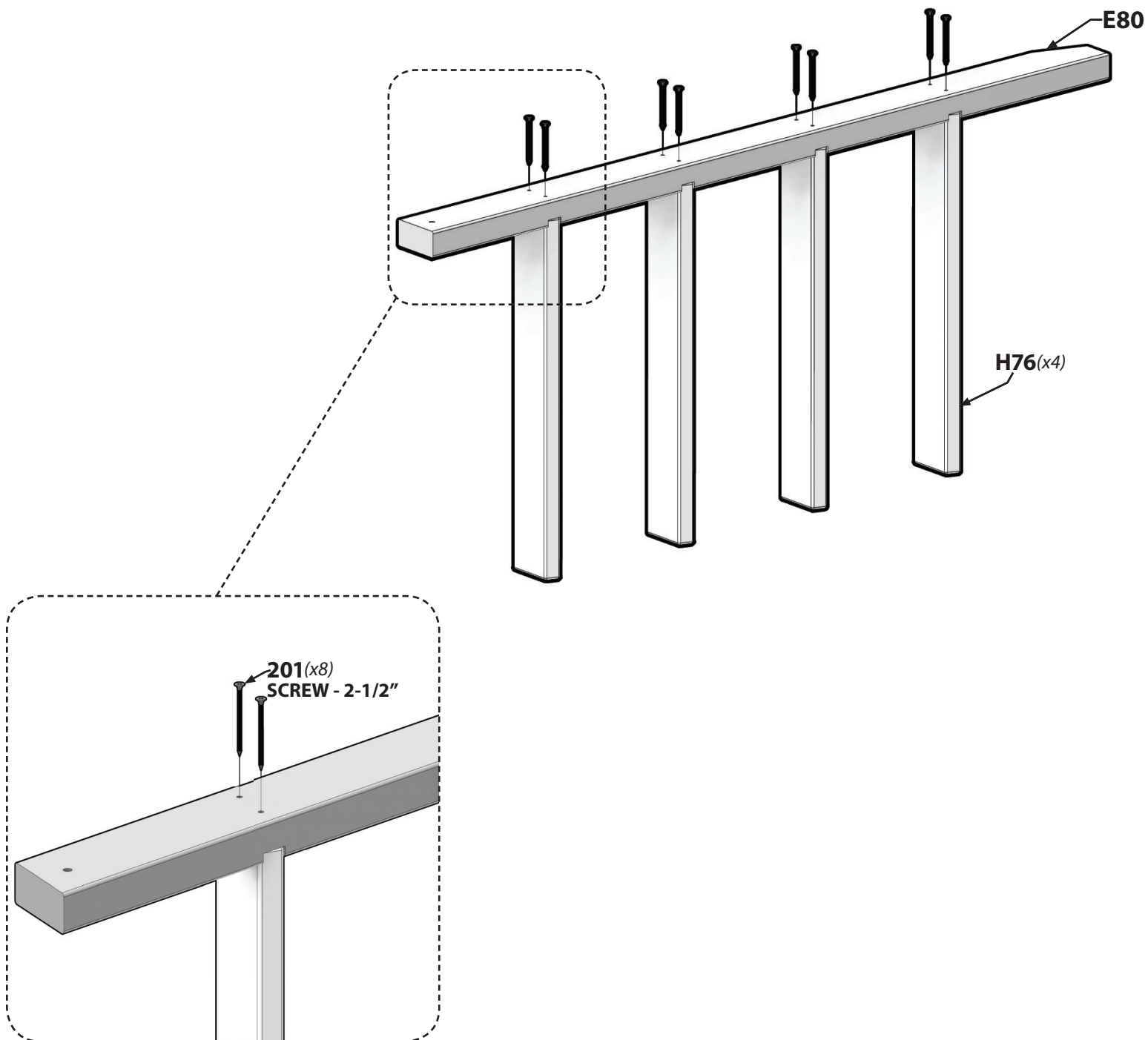
E80 | LEFT UPRIGHT - W4L11751
(x1) | 1-3/8" x 3-3/8" x 58" (36 x 86 x 1474)

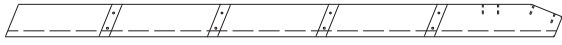


H76 | LADDER RUNG - W4L11753
(x4) | 1" x 3-3/8" x 19-3/8" (24 x 86 x 493)



H100201 | SCREW PFH BLK
(x8) | 8x2-1/2 - H100201

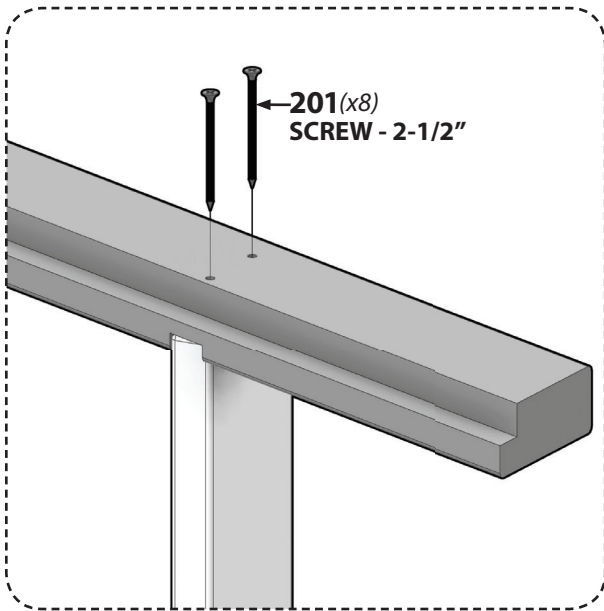
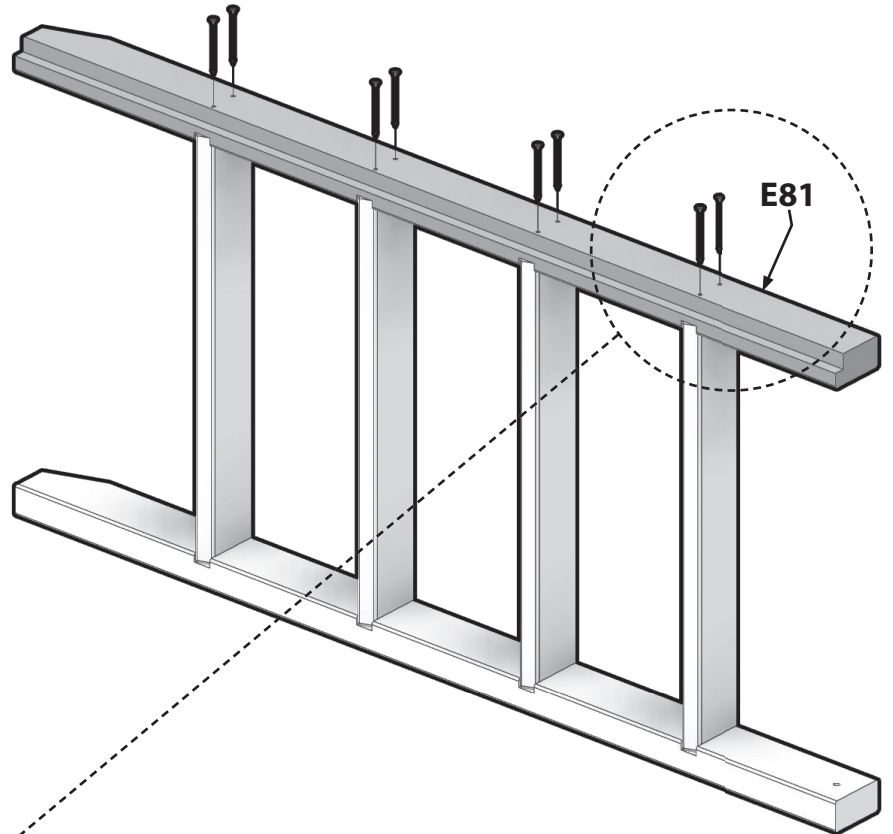




E81 | **MIDDLE UPRIGHT - W4L11752**
(x1) | 1-3/8" x 3-3/8" x 58" (24 x 86 x 1474)



H100201 | **SCREW PFH BLK**
(x8) | 8x2-1/2 - H100201

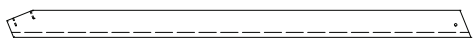


← **201(x8)**
SCREW - 2-1/2"

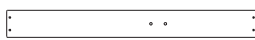


Phase 2

STEP 3



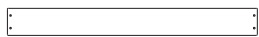
E83 | RIGHT UPRIGHT - W4L11756
(x1) | 1-3/8" x 3-3/8" x 58" (24 x 86 x 1474)



M75 | ROCK BOARD - W4L11758
(x4) | 5/8" x 3-3/8" x 31-1/4" (16 x 86 x 794)



A6P00036 | GREEN HC ROCK #1
(x6) | A6P00036



M74 | ROCK BOARD - W4L11757
(x8) | 5/8" x 3-3/8" x 31-1/4" (16 x 86 x 794)



M76 | ROCK BOARD - W4L11759
(x4) | 5/8" x 3-3/8" x 31-1/4" (16 x 86 x 794)



N74 | ROCK BOARD - W4L11760
(x1) | 5/8" x 2-3/8" x 31-1/4" (16 x 60 x 794)



A6P00037 | GREEN HC ROCK #2
(x6) | A6P00037



H100063 | BOLT PTH
(x24) | 1/4 x 3/4 - H100063



H100072 | T-NUT
(x24) | 1/4 - H100072



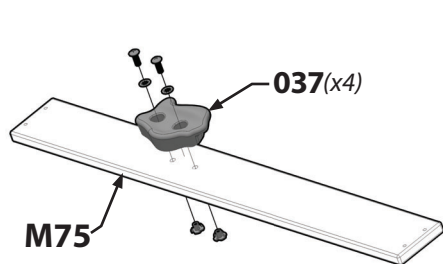
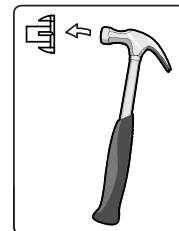
H100086 | SCREW PFH
(x60) | 8x1-1/2 - H100086



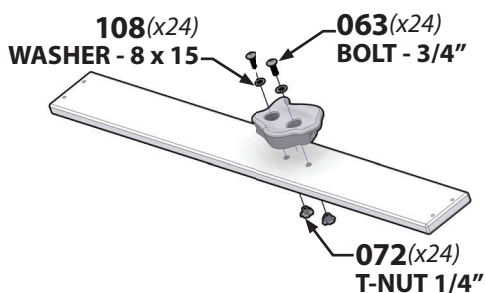
H100108 | WASHER LOCK INT
(x24) | 8x15 - H100108

NOTE: BUILD (4) ONE ROCK SUB-ASSEMBLIES AND (4) TWO ROCK SUB-ASSEMBLIES, AS SHOWN BELOW.

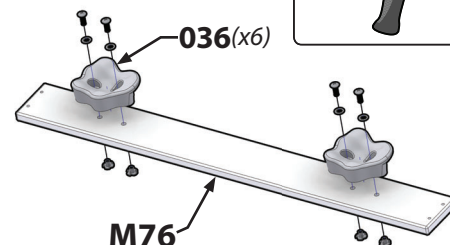
(2) M75 BOARD ORIENTATION WILL BE ROTATED CLOCKWISE 180 DEGREES. SEE EXAMPLE BELOW:



M75-A
(x2)



M75-B
(x2)



M76
(x4)

ASSEMBLE ROCK BOARDS TO UPRIGHTS AS SHOWN BELOW. DO NOT ASSEMBLE THE TOP (2) ROCK BOARDS AT THIS TIME. THE TOP (2) ROCK BOARDS WILL BE ASSEMBLED IN A LATER STEP.



M74 | ROCK BOARD - W4L11757
(x1) | 5/8" x 3-3/8" x 31-1/4" (16 x 86 x 794)

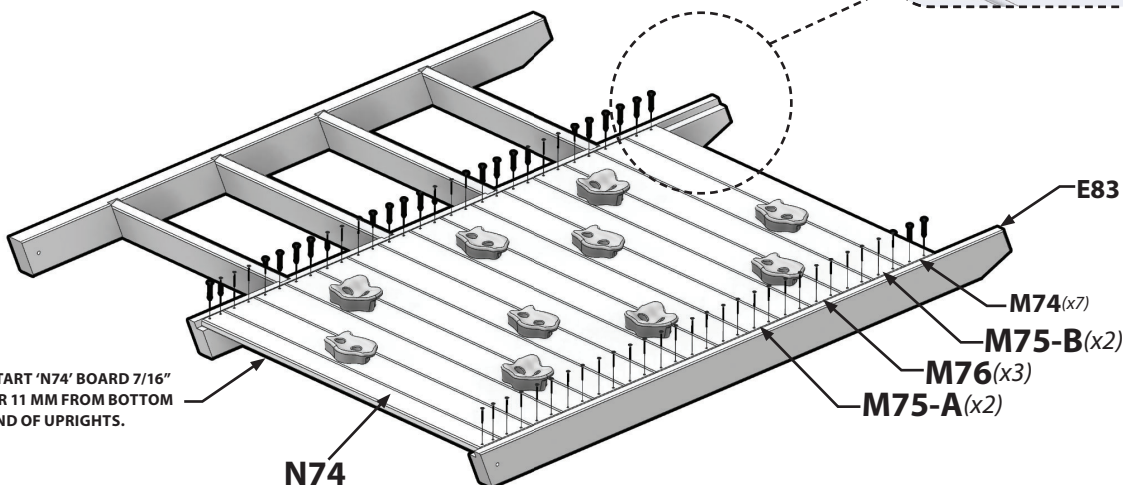
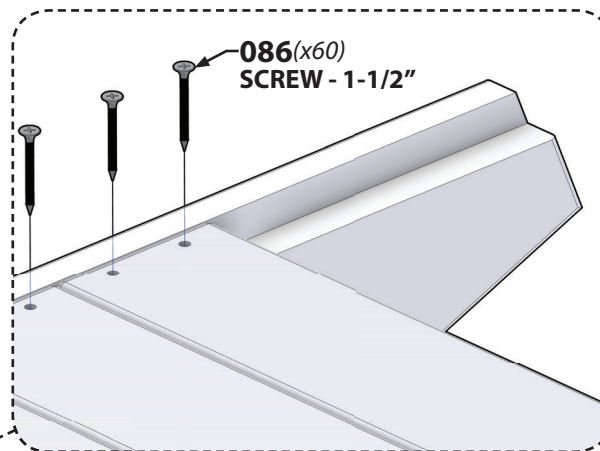


M76 | ROCK BOARD SUB-ASSEMBLY - W4L11759
(x1) | 5/8" x 3-3/8" x 31-1/4" (16 x 86 x 794)

PLACE ROCKS WITH ARROW POINTING UP.



NOTE: THE ROCK BOARD PATTERN IS M74, M75, M74, M76.




START 'N74' BOARD 7/16" OR 11 MM FROM BOTTOM END OF UPRIGHTS.



Phase 2

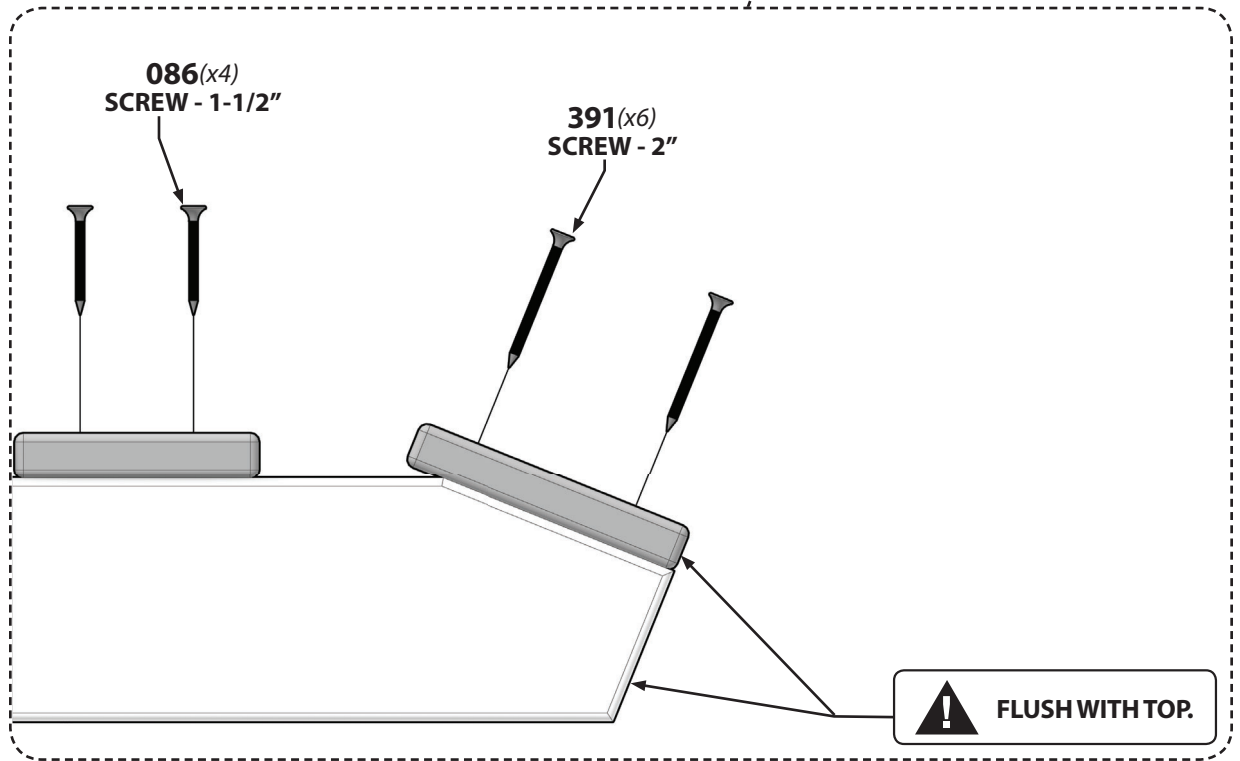
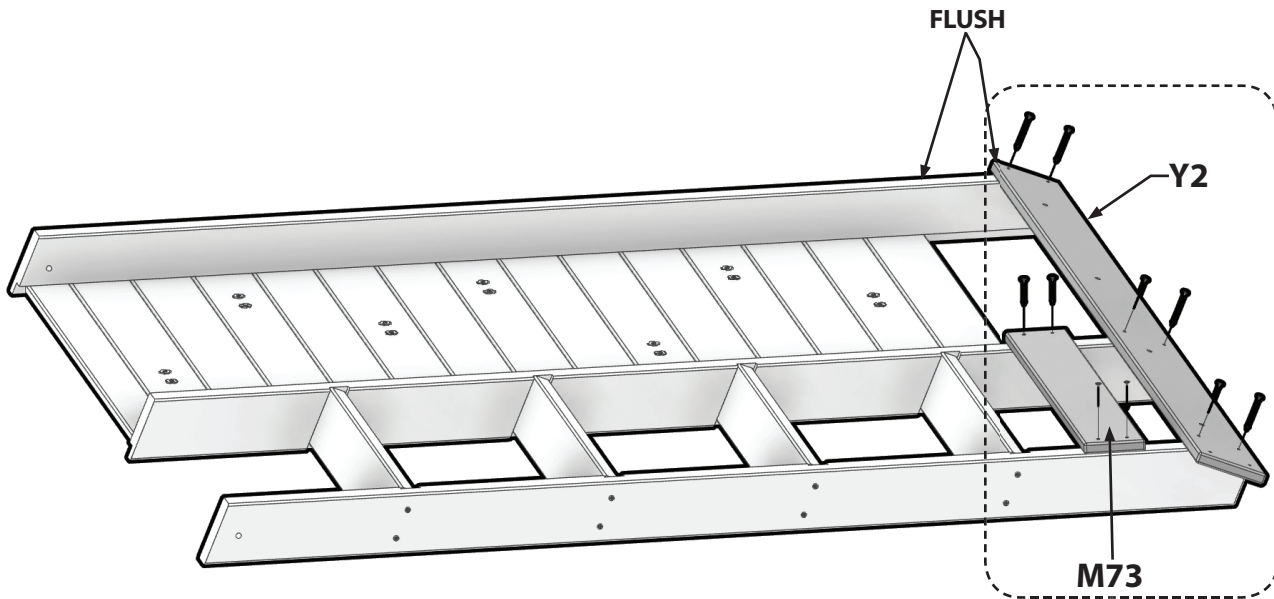
STEP 4

	TOP		BOTTOM
Y2 (x1)	ATTACHMENT BOARD - W4L11755 5/8" x 4" x 56-1/8" (16 x 102 x 1424)		
M73 (x1)	REAR SUPPORT - W4L11754 5/8" x 3-3/8" x 21-1/2" (16 x 86 x 545)		

 **H100086** | **SCREW PFH**
(x4) | 8x1-1/2 - H100086

 **H100391** | **SCREW PFH BLK**
(x6) | 8x2 - H100391

NOTE: ORIENTATION, ALSO BE SURE TO USE PILOT HOLES AS A GUIDE TO LOCATE SCREW LOCATION ON BOARDS "Y2" AND "M73".

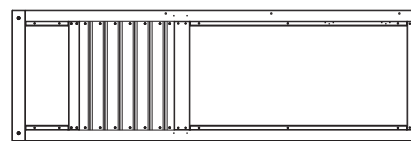




T5 | WINDOW TRIM - W4L12604
(x1) | 1"x1 3/8"x23 3/8" (24x34x595)



T6 | WINDOW TRIM - W4L12605
(x3) | 1"x1 3/8"x11 1/4" (24x34x285)



WP1 | WALL PANEL - W2A02767
(x1) | 1-7/16"x28-1/16"x87-3/16" (36x712x2214)



H100087 | SCREW PFH
(x8) | 8x1-1/4" - H100087



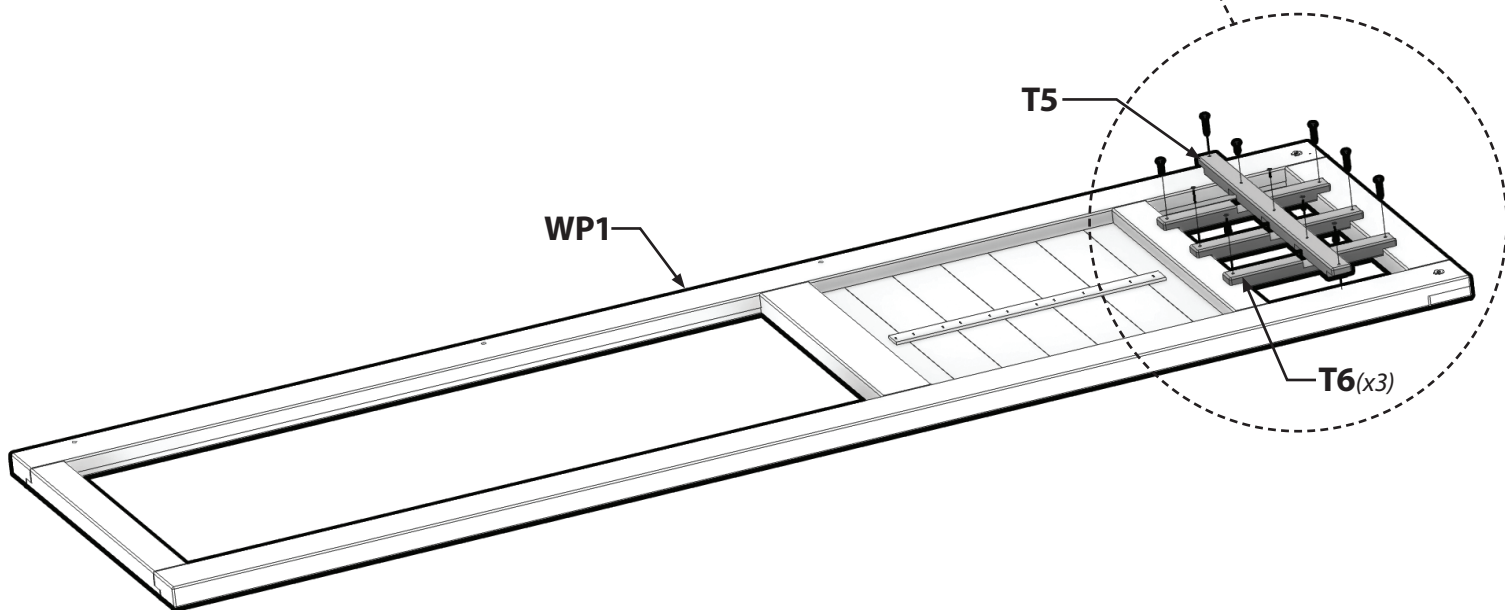
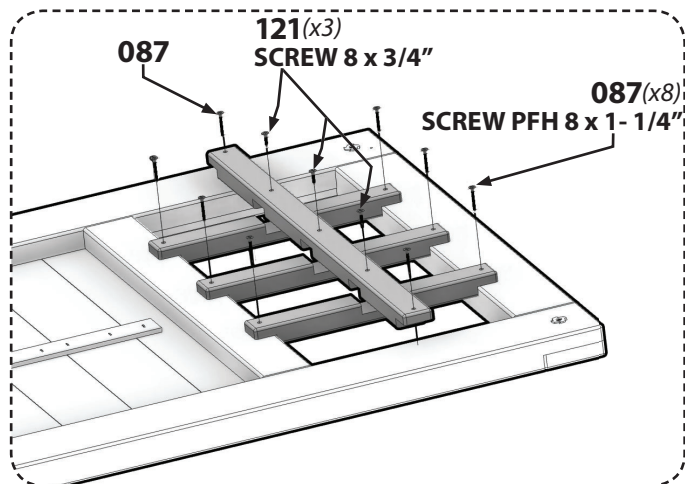
H100121 | SCREW PFH
(x3) | 8x3/4" - H100121



ASSEMBLY NOTE:

USE PILOT HOLES AS GUIDE.

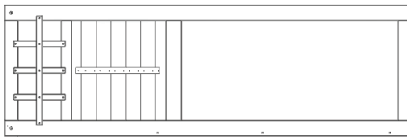
USE 121(x3)SCREWS IN INTERIOR HOLES ON T5 BOARD.



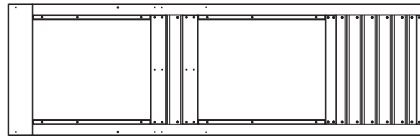


Phase 3

STEP 2



WP1 ASSEMBLY
(x1)



WP4 | WALL PANEL - W2A02770
(x1) 1-7/16" x 28-1/16" x 89-1/2" (36 x 712 x 2274)



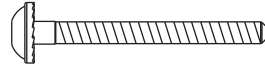
A4M00855 | LBRACKET 51X32X82X3.125
(x2) A4M00855



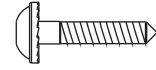
H100398 | T-NUT BLK
(x2) 1/4 - H100398



H100405 | WASHER LOCK EXT BLK
(x3) 6x15 - H100405



H100456 | LAG SCREW WH BLK
(x3) 1/4x2-1/2 - H100456

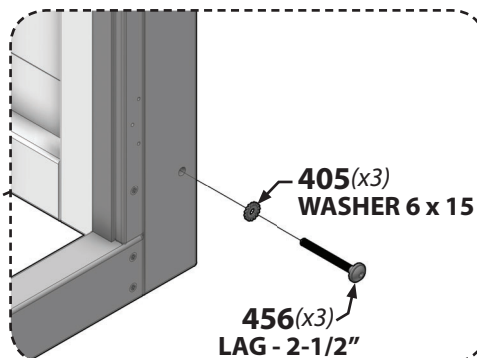
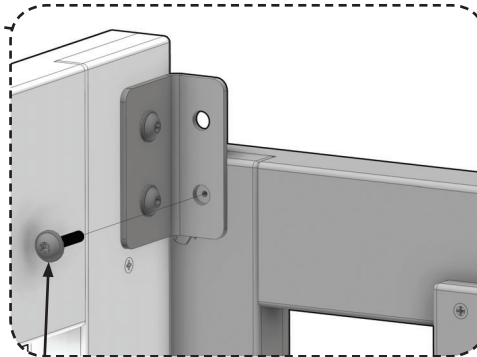
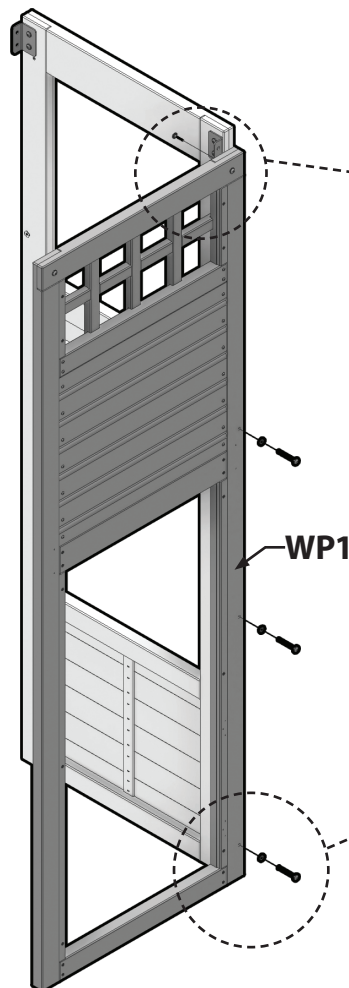
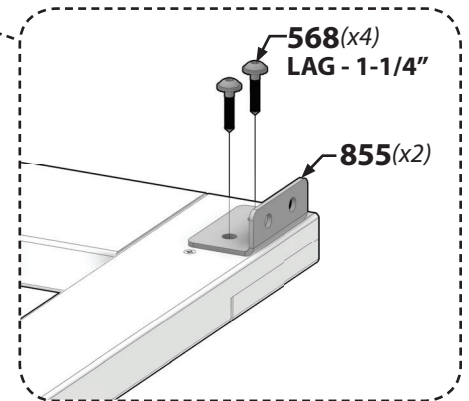
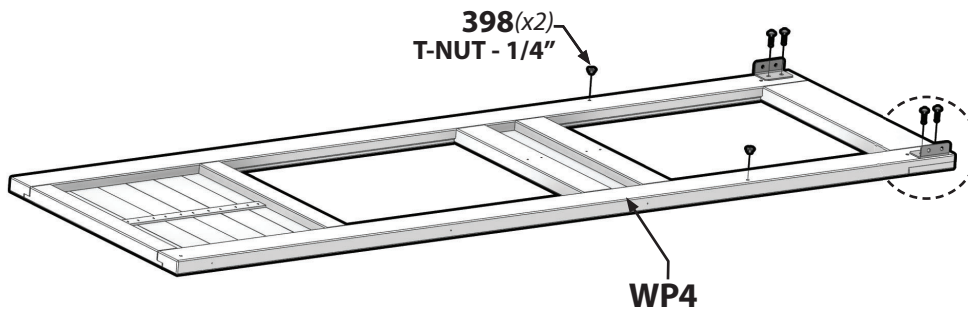
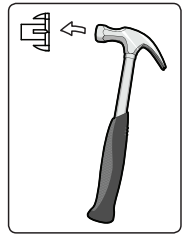


H100568 | LAG SCREW WH BLK
(x5) 1/4x1-1/4 - H100568



ASSEMBLY TIP:

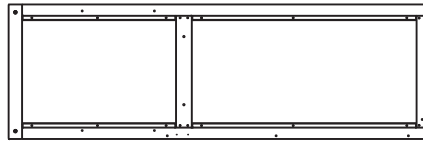
ASSEMBLE L-BRACKETS FIRST AND T-NUTS TO 'WP4'. ONLY FINGER TIGHTEN SCREWS AT THIS TIME.



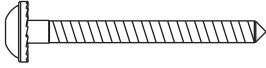


Phase 3

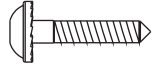
STEP 3



WP9 | WALL PANEL - W2A02776
(x1) | 1-7/16" x 28-1/16" x 87-3/16" (36 x 712 x 2214)



H100456 | LAG SCREW WH BLK
(x3) | 1/4x2-1/2 - H100456



H100568 | LAG SCREW WH BLK
(x1) | 1/4x1-1/4 - H100568

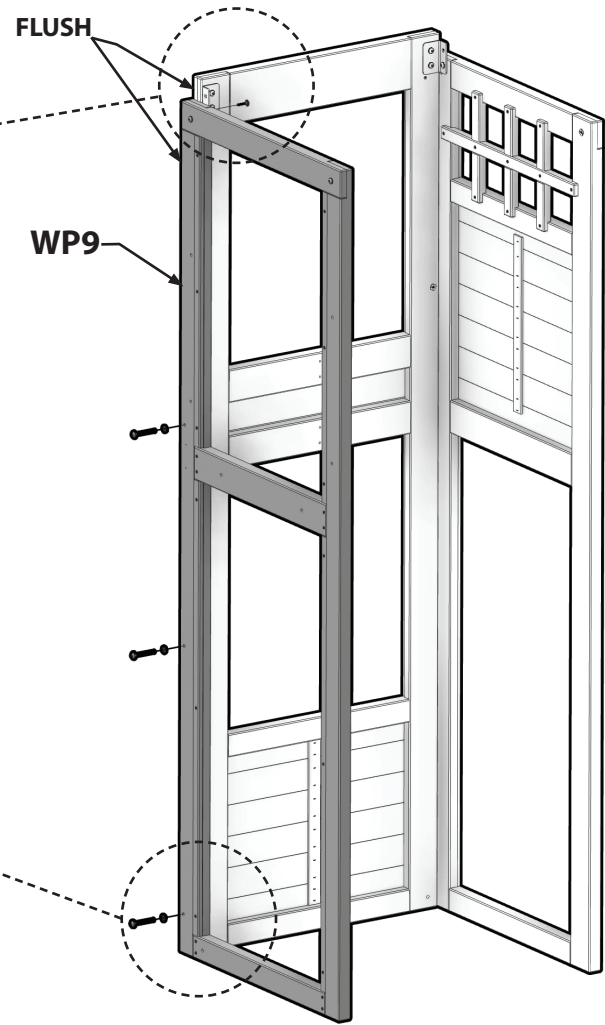
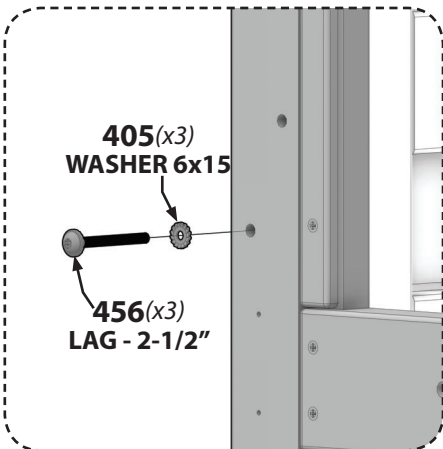
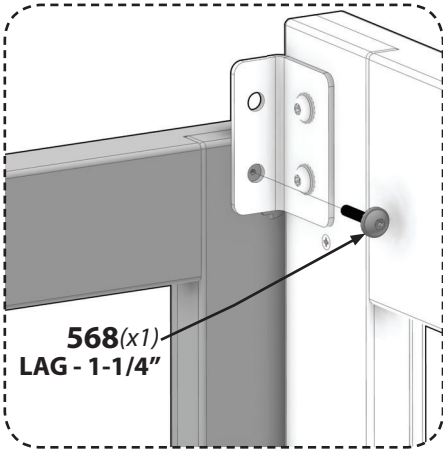
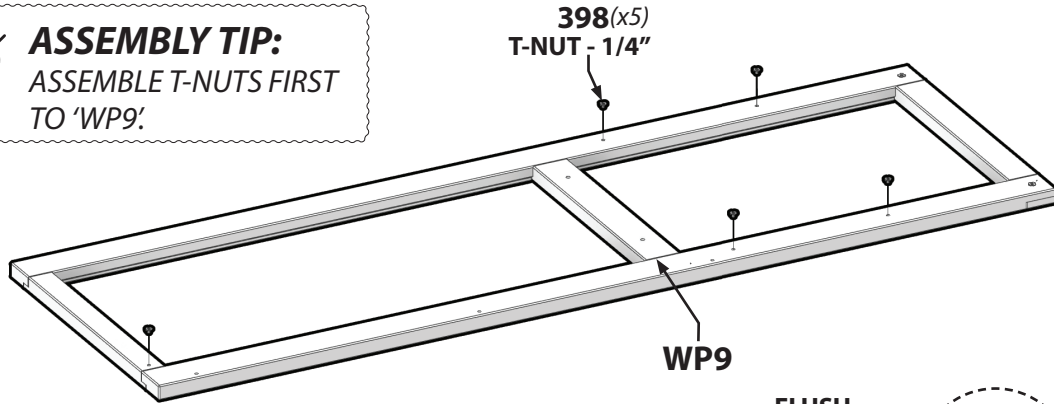


H100405 | WASHER LOCK EXT BLK
(x3) | 6x15 - H100405



H100398 | T-NUT BLK
(x5) | 1/4 - H100398

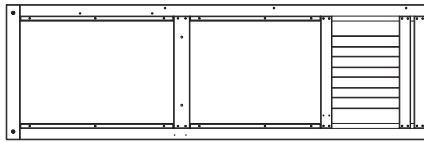
ASSEMBLY TIP:
ASSEMBLE T-NUTS FIRST
TO 'WP9'.





Phase 3

STEP 4



WP10 | WALL PANEL - W2A02783
(x1) | 1-9/16" x 28-1/16" x 87-3/16" (40 x 712 x 2214)

H14 | FLOOR BRACE - W4L12478
(x1) | 1" x 3-3/8" x 6-3/4" (24 x 86 x 170)

J9 | BRACE - W4L12479
(x1) | 1" x 2-3/8" x 30-1/8" (24 x 60 x 765)



A4M00995 | METAL CLEAT
(x1) | A4M00995



H100089 | SCREW PFH
(x10) | 8x1-3/4 - H100089

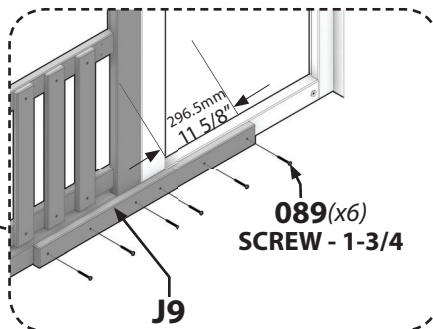
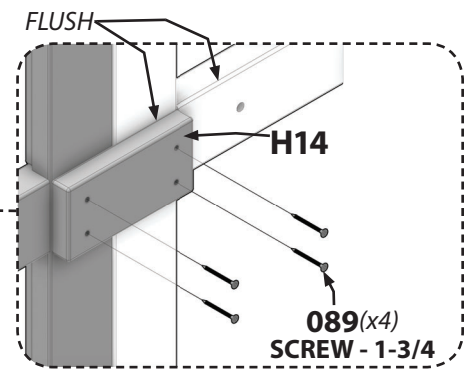
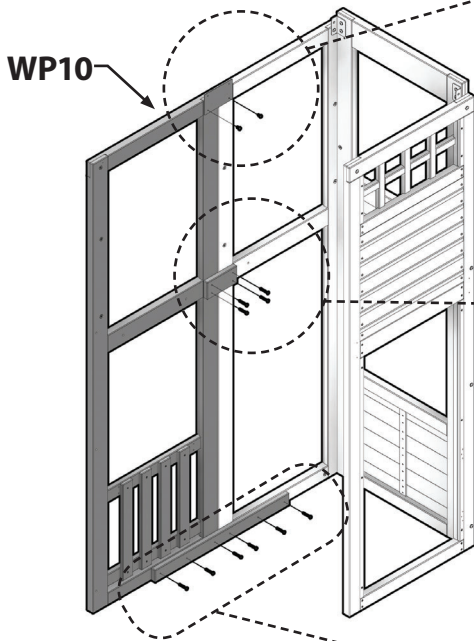
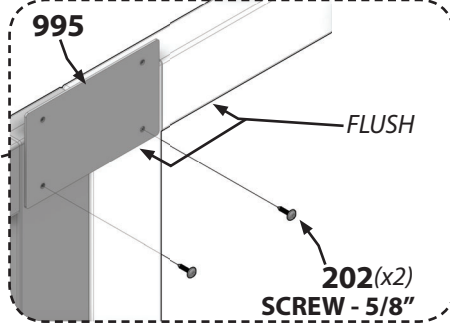
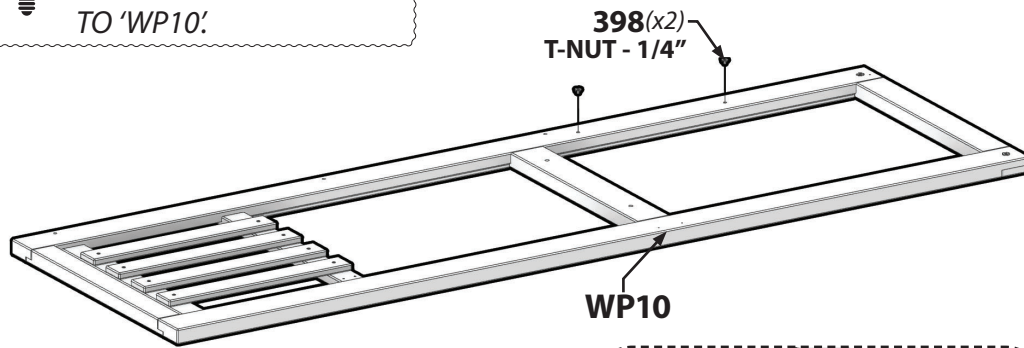
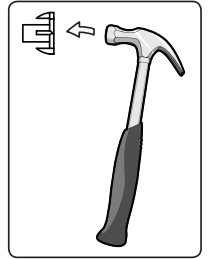


H100202 | SCREW PWH BLK
(x2) | 8x5/8 - H100202



H100398 | T-NUT BLK
(x2) | 1/4 - H100398

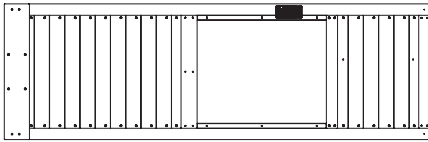
ASSEMBLY TIP:
ASSEMBLE T-NUTS FIRST
TO 'WP10'.



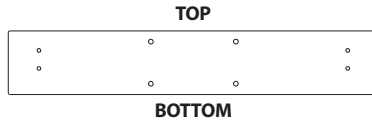


Phase 3

STEP 5



WP7 | WALL PANEL - W2A02774
(x1) 1-7/16" x 28-1/16" x 89-1/2" (36 x 712 x 2274)



G2 | RAIL - W4L12485
(x1) 1" x 5-1/4" x 30-7/8" (24 x 134 x 784)



A4M00855 | L BRACKET 51X32X82X3.125
(x2) A4M00855



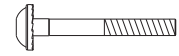
H100379 | T-NUT BLK
(x4) 5/16" - H100379



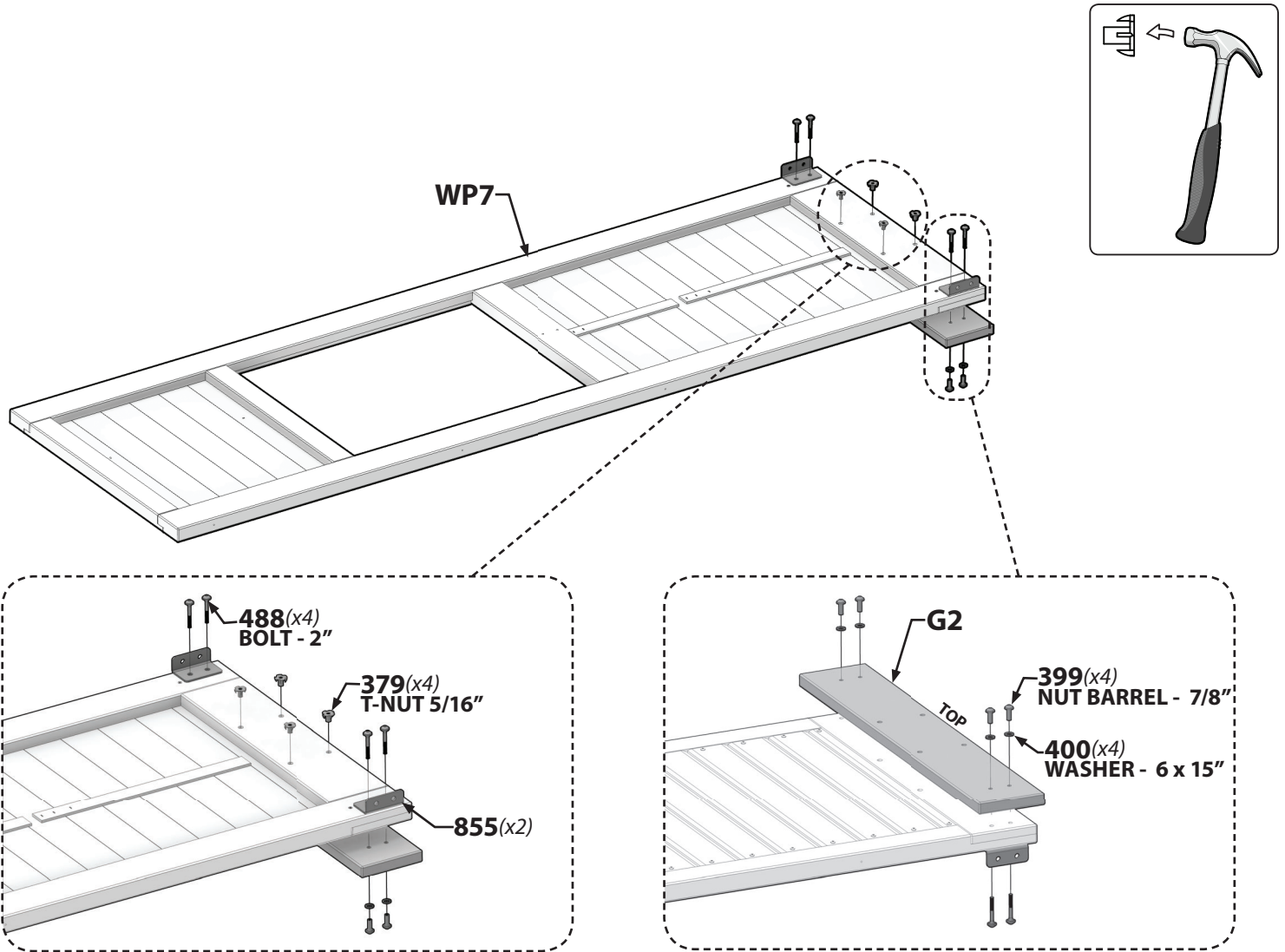
H100399 | NUT BARREL WH BLK
(x4) 1/4 x 7/8 - H100399

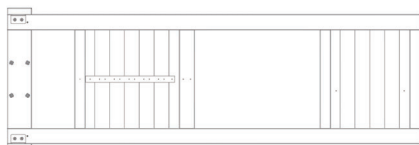


H100400 | WASHER LOCK EXT BLK
(x4) 8 x 15 - H100400

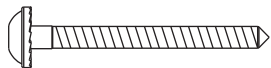


H100488 | BOLT WH BLK
(x4) 1/4 x 2 - H100488





WP7 | **WALL PANEL SUB-ASSEMBLY**
(x1) 1-7/16" x 28-1/16" x 89-1/2" (36 x 712 x 2274)



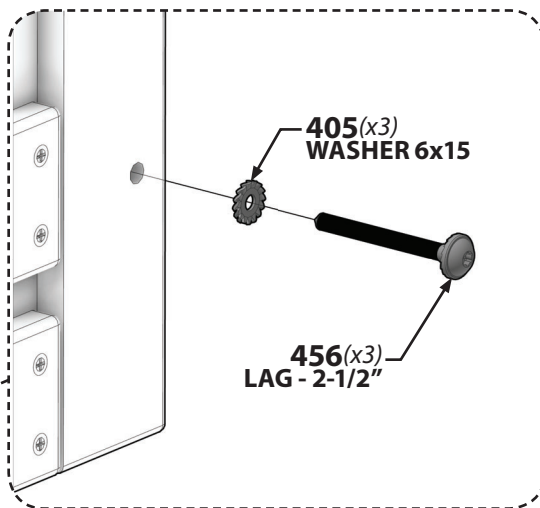
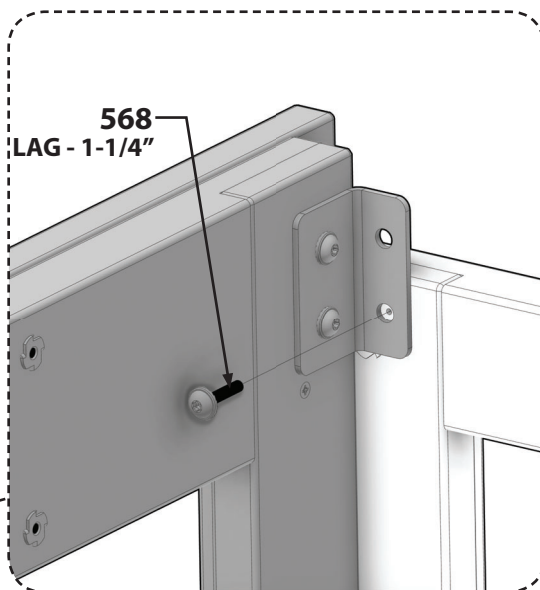
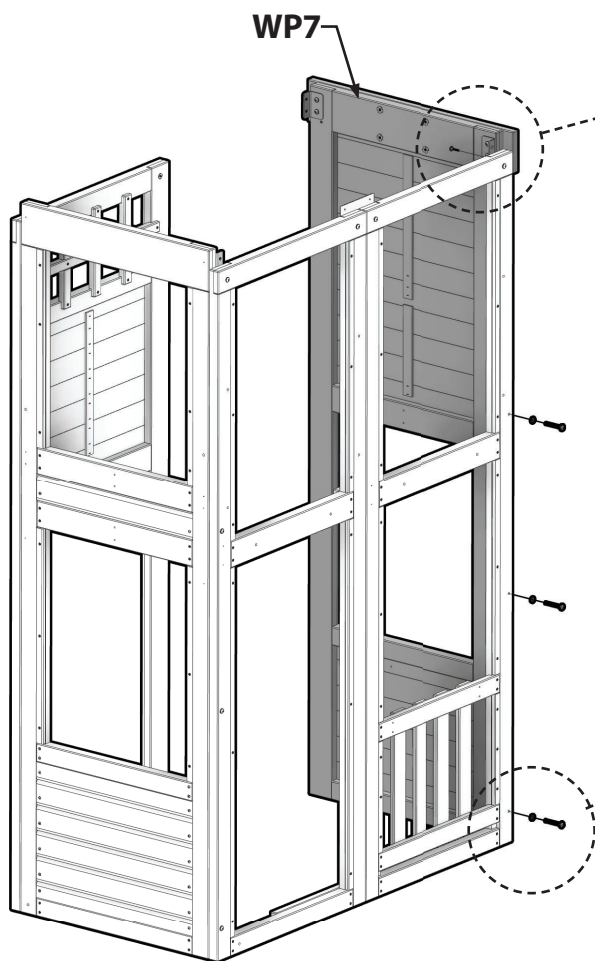
H100456 | **LAG SCREW WH BLK**
(x3) 1/4x2-1/2 - H100456



H100568 | **LAG SCREW WH BLK**
(x1) 1/4x1-1/4 - H100568

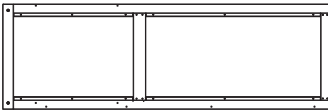


H100405 | **WASHER LOCK EXT BLK**
(x3) 6x15 - H100405



Phase 3

STEP 7



WP2 | **WALL PANEL - W2A02768**
(x1) 1-7/16" x 28-1/16" x 87-3/16" (36 x 712 x 2214)

H14 | **FLOOR BRACE - W4L12478**
(x1) 1" x 3-3/8" x 6-3/4" (24 x 86 x 170)

J9 | **BRACE - W4L12479**
(x1) 1" x 2-3/8" x 30-1/8" (24 x 60 x 765)

A4M00995 | **METAL CLEAT**
(x1) A4M00995

H100089 | **SCREW PFH**
(x10) 8x1-3/4 - H100089

H100405 | **WASHER LOCK EXT BLK**
(x3) 6x15 - H100405

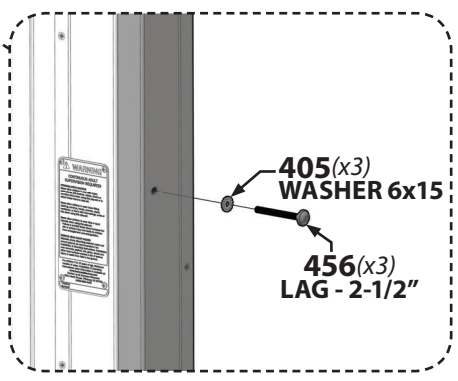
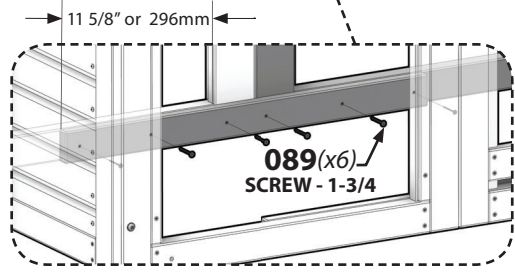
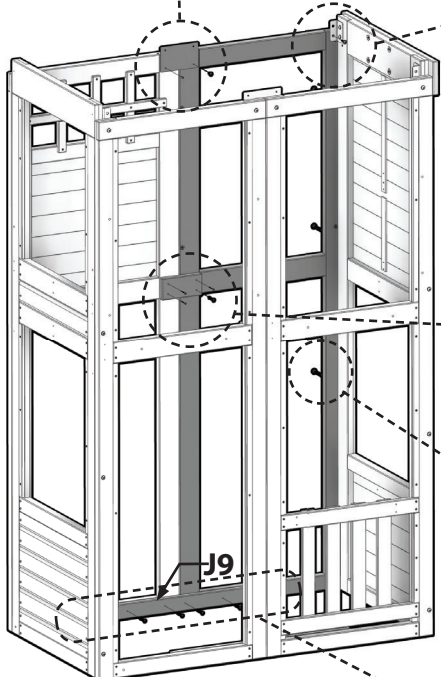
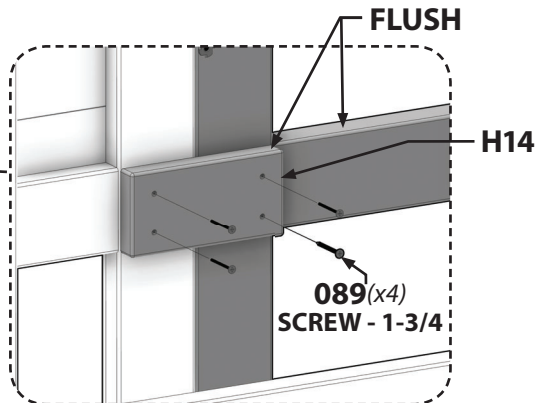
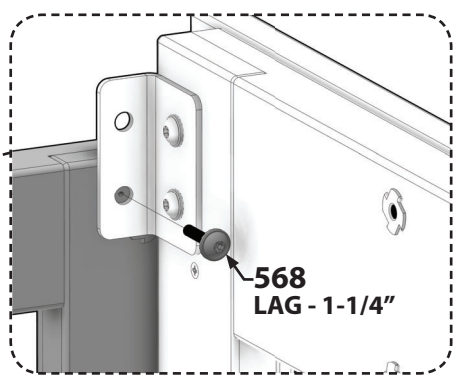
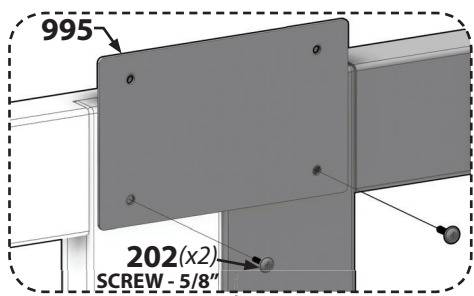
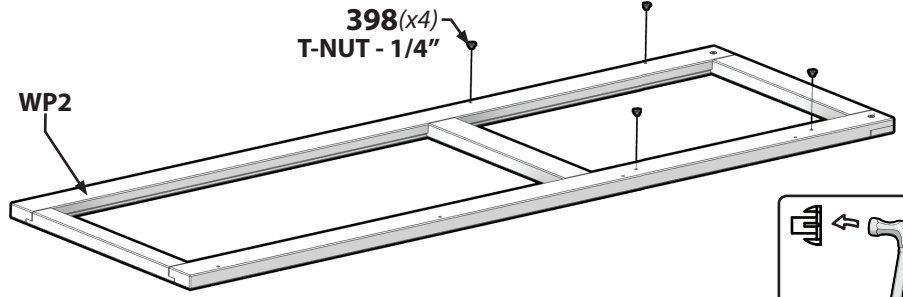
H100202 | **SCREW PWH BLK**
(x2) 8x5/8 - H100202

H100456 | **LAG SCREW WH BLK**
(x3) 1/4x2-1/2 - H100456

H100398 | **T-NUT BLK**
(x4) 1/4 - H100398

H100568 | **LAG SCREW WH BLK**
(x1) 1/4x1-1/4 - H100568

ASSEMBLY NOTE:
ASSEMBLE T-NUTS FIRST TO 'WP2'.
BE SURE TO TIGHTEN ALL PANEL
HARDWARE AT THIS TIME.





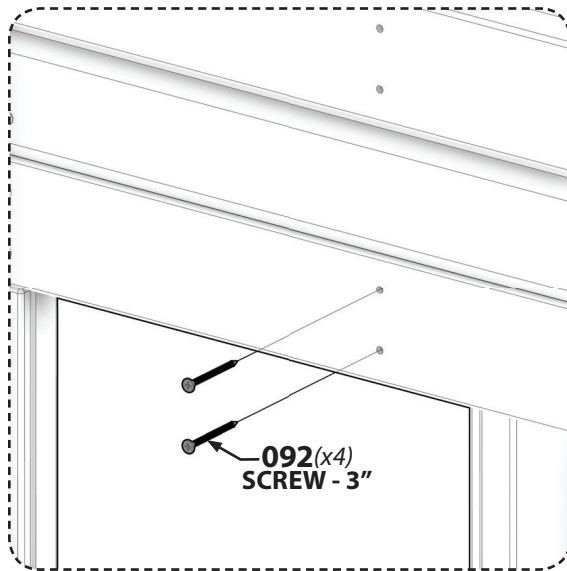
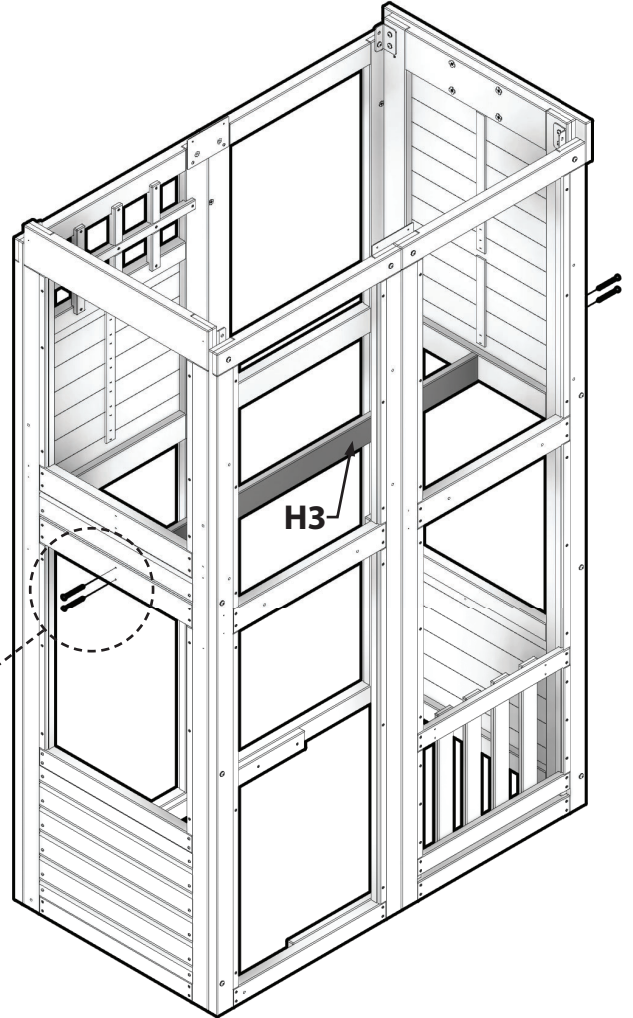
H3 | FLOOR JOIST - W4L12345
(x1) 1" x 3-3/8" x 53-1/4" (24x 86 x 1352)



H100092 | SCREW PFH
(x4) 8x3 - H100092



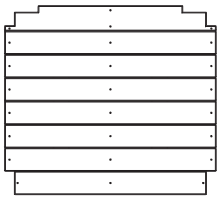
ASSEMBLY NOTE:
USE PILOT HOLES AS GUIDE.



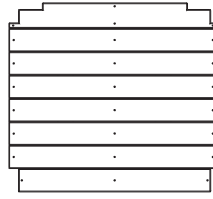


Phase 3

STEP 9



FP3 | FLOOR PANEL - W2A02779
(x1) | 1-1/4" x 27-3/4" x 30-7/8" (32 x 705 x 784)



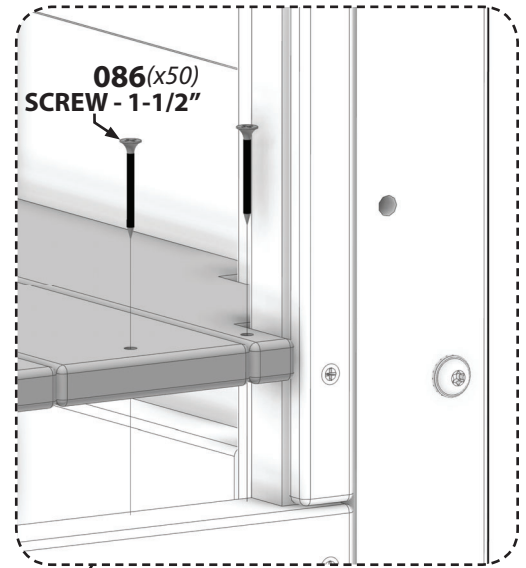
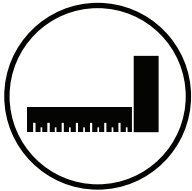
FP4 | FLOOR PANEL - W2A02780
(x1) | 1-1/4" x 27-1/2" x 30-3/8" (32 x 699 x 772)



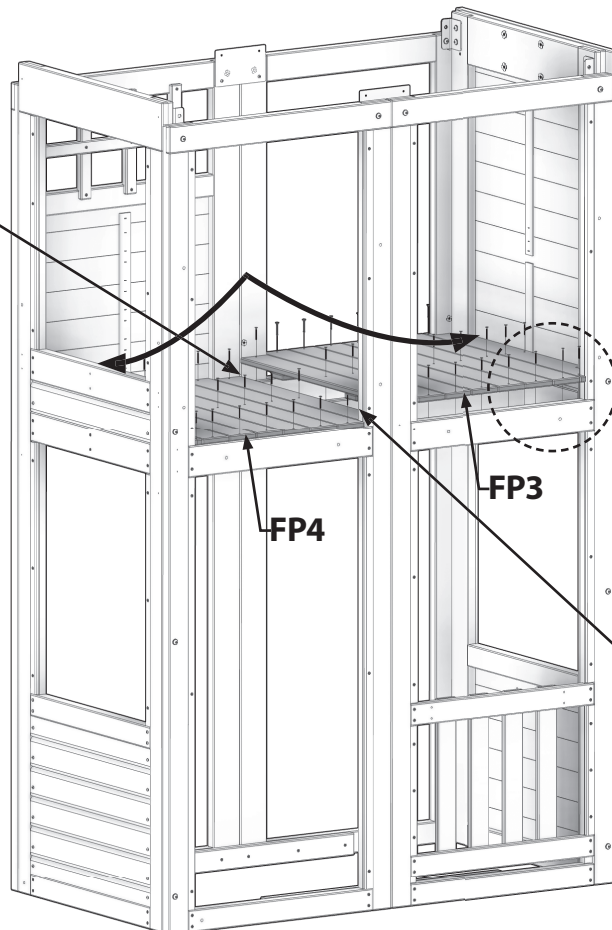
H100086 | SCREW PFH
(x50) | 8x1-1/2 - H100086



ASSEMBLY NOTE:
USE PILOT HOLES AS GUIDE.
NOTE PANEL ORIENTATION.



PUSH TOGETHER



ASSEMBLY TIP:
POSITION 'FP3' AND 'FP4' PANELS
AT A 45 DEGREE ANGLE THEN
PUSH DOWN INTO PLACE.

PUSH TOGETHER

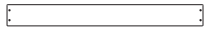


Phase 3

STEP 10



ROCKWALL ASSEMBLY



M74 | ROCK BOARD - W4L11757
(x1) | 5/8" x 3-3/8" x 31-1/4" (16 x 86 x 794)



M76 | ROCK BOARD SUB-ASSEMBLY - W4L11759
(x1) | 5/8" x 3-3/8" x 31-1/4" (16 x 86 x 794)



H100086 | SCREW PFH
(x8) | 8x1-1/2 - H100086



H100200 | SCREW PFH BLK
(x2) | 8x1-1/2 - H100200



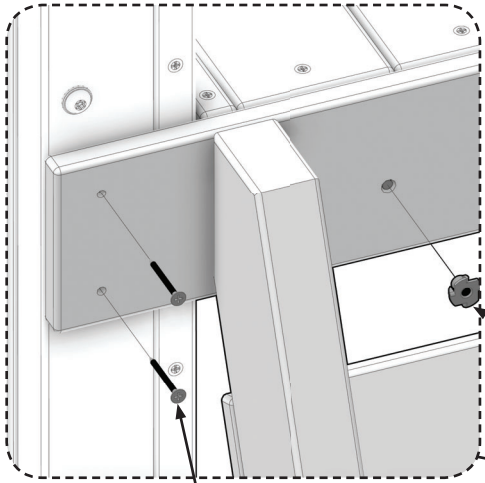
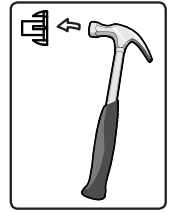
H100398 | T-NUT BLK
(x4) | 1/4 - H100398



H100405 | WASHER LOCK EXT BLK
(x4) | 6x15 - H100405

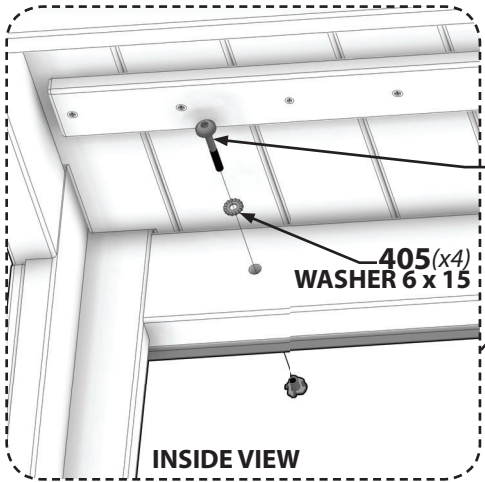


H100488 | BOLT WH BLK
(x4) | 1/4x2 - H100488



398(x4)
T-NUT - 1/4"

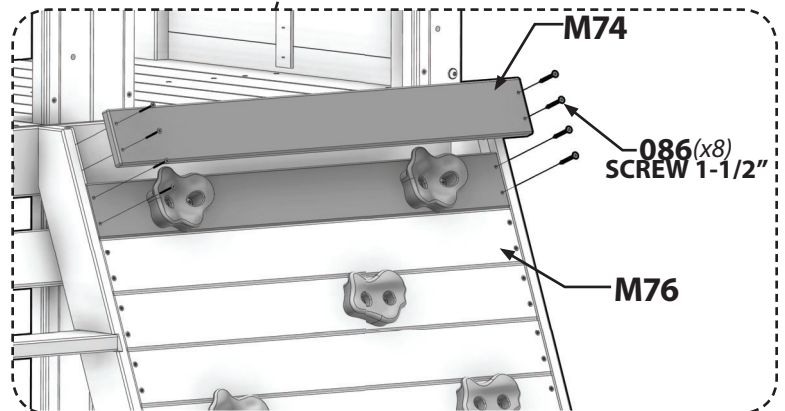
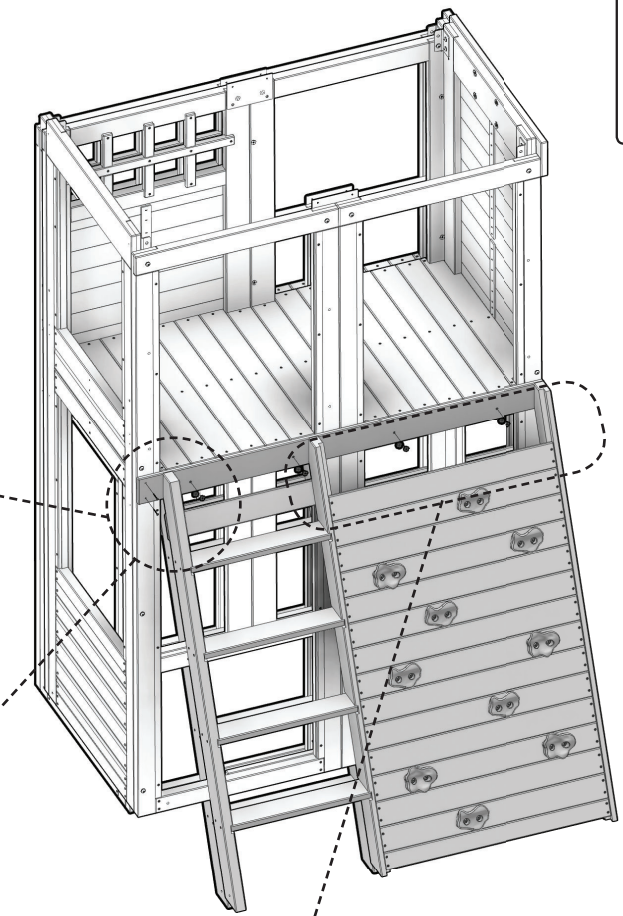
200(x2)
SCREW - 1-1/2



488(x4)
BOLT - 2"

405(x4)
WASHER 6 x 15

INSIDE VIEW



M74

086(x8)
SCREW 1-1/2"

M76

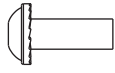


ASSEMBLY NOTE:

PLACE 'M74' & 'M76' ROCK BOARDS FROM PHASE 2 - STEP 3 TO FINISH ASSEMBLY OF ROCK WALL.



F4 | **GROUND BOARD - W4L12487**
 (x1) | 1-3/8" x 2-3/8" x 74-1/8" (36x60x1883)



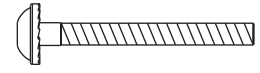
H100399 | **NUT BARREL WH BLK**
 (x1) | 1/4 x 7/8 - H100399



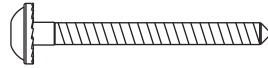
H100400 | **WASHER LOCK EXT BLK**
 (x1) | 8x15 - H100400



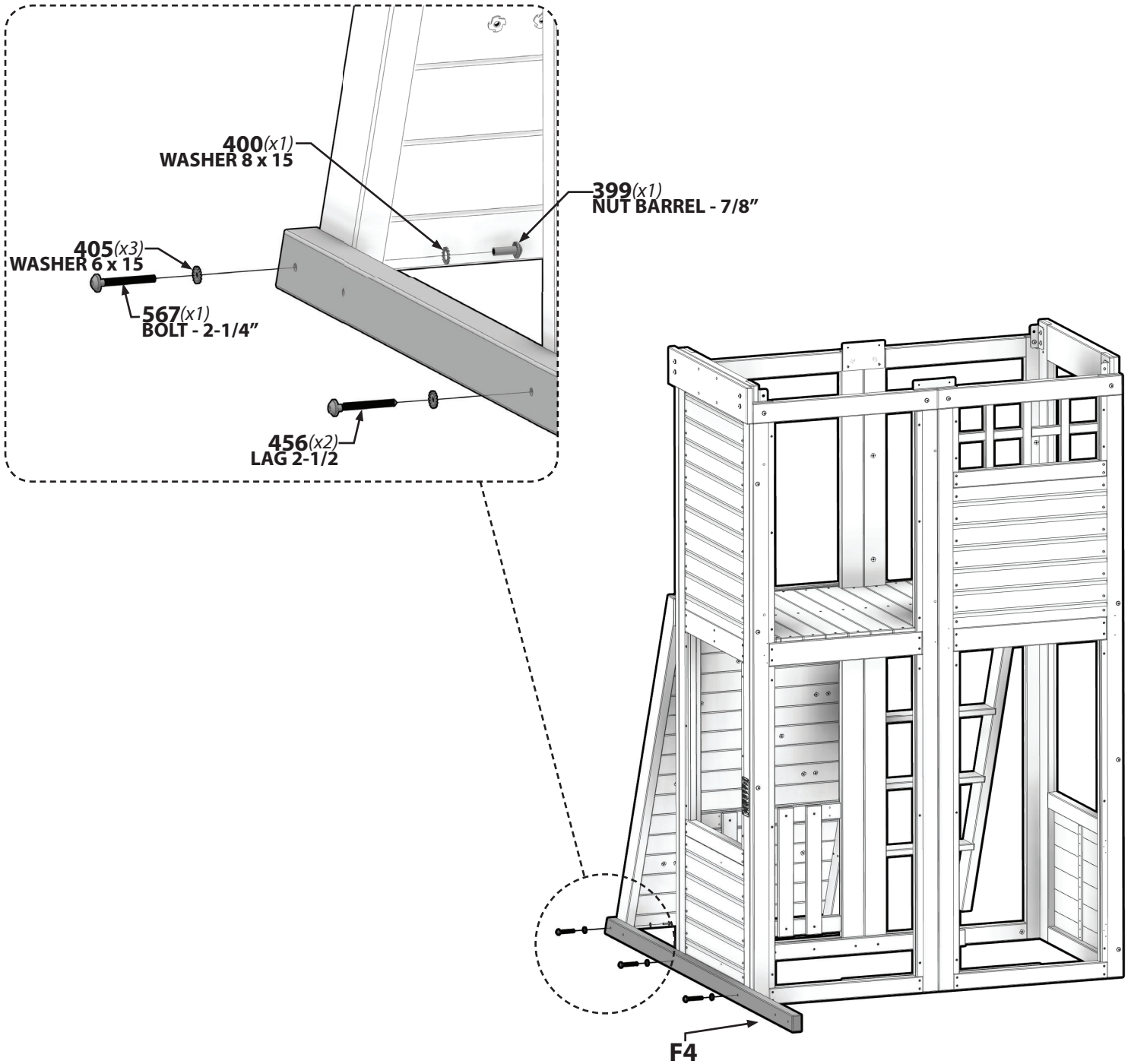
H100405 | **WASHER LOCK EXT BLK**
 (x3) | 6x15 - H100405



H100567 | **BOLT WH BLK**
 (x1) | 1/4x2-1/4 - H100567



H100456 | **LAG SCREW WH BLK**
 (x2) | 1/4x2-1/2 - H100456





Phase 3

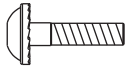
STEP 12



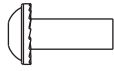
F5 | **GROUND BOARD - W4L12488**
(x1) 1-3/8" x 2-3/8" x 24-1/4" (36 x 60 x 617)



A4M00710 | **L BRACKET BLACK 32X51**
(x1) A4M00710



H100171 | **BOLT WH BLK**
(x1) 1/4x1 - H100171



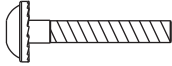
H100399 | **NUT BARREL WH BLK**
(x2) 1/4 x 7/8 - H100399



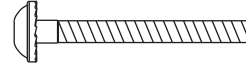
H100400 | **WASHER LOCK EXT BLK**
(x2) 8 x 15 - H100400



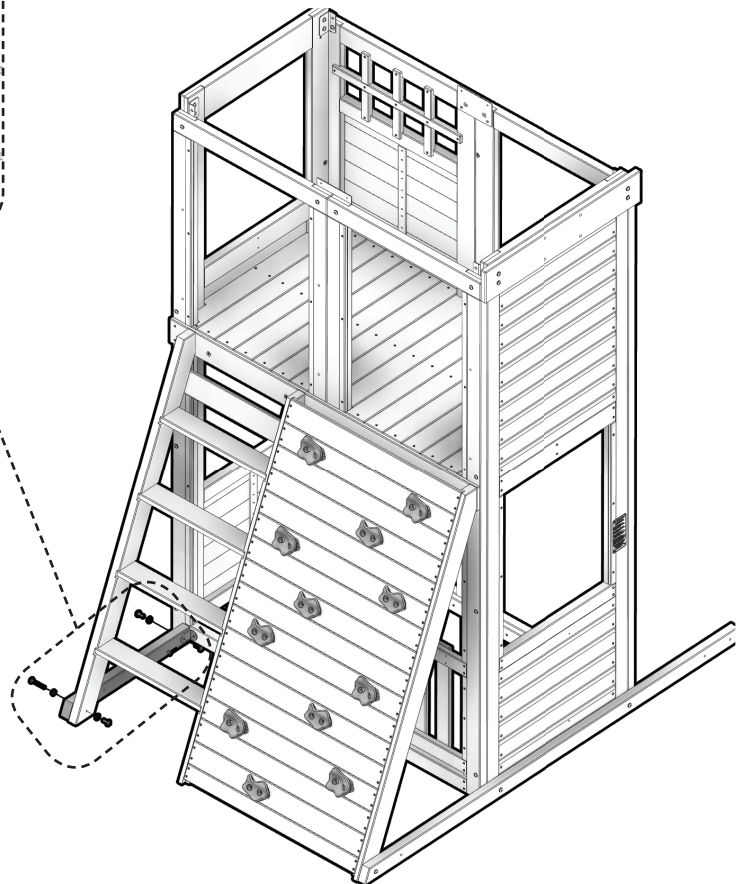
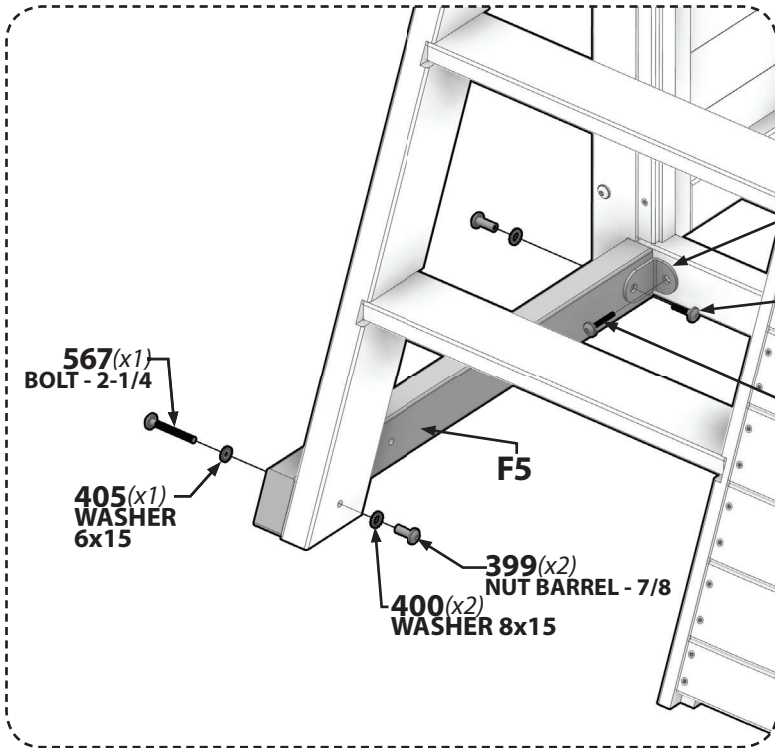
H100405 | **WASHER LOCK EXT BLK**
(x1) 6 x 15 - H100405

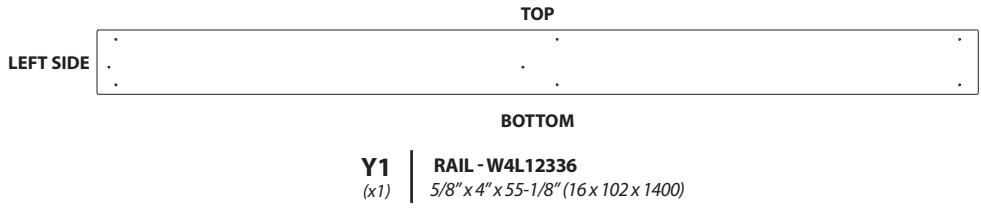


H100406 | **BOLT WH BLK**
(x1) 1/4x1-1/2 - H100406



H100567 | **BOLT WH BLK**
(x1) 1/4x2-1/4 - H100567



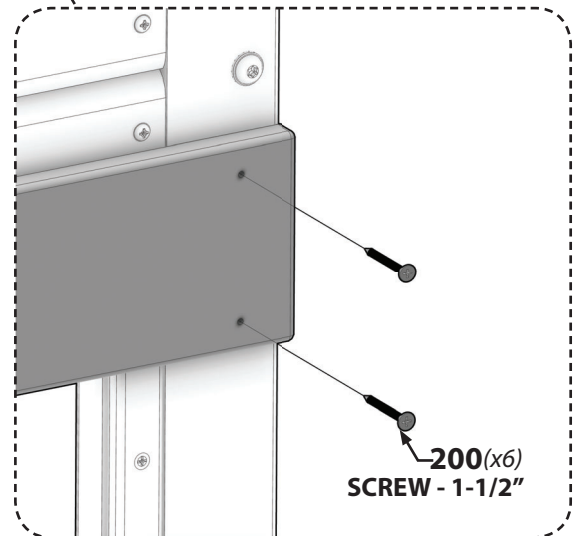
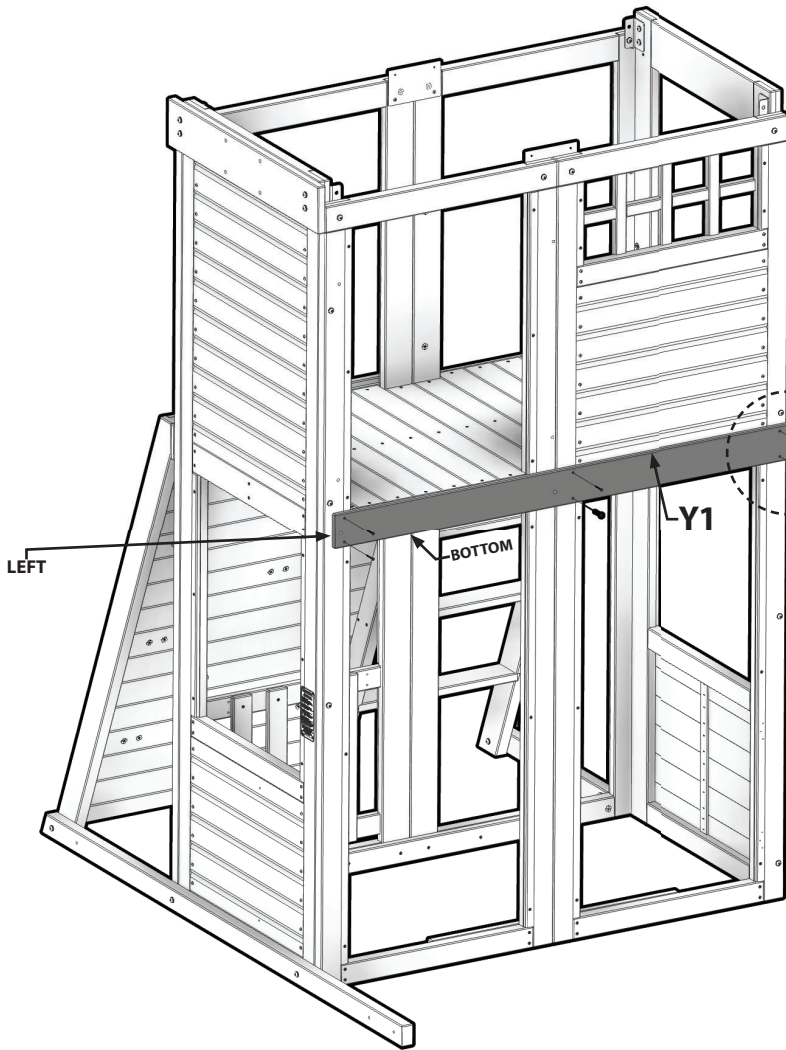


H100200 | **SCREW PFH BLK**
 (x6) | 8x1-1/2 - H100200



ASSEMBLY NOTE:

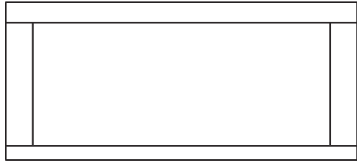
USE PILOT HOLES AS GUIDE.
 NOTE BOARD ORIENTATION.



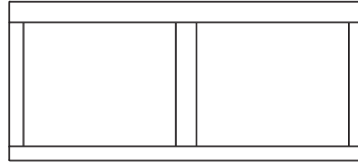


Phase 4

STEP 1



WP3 | FRONT WINDOW FRAME - W2A02769
(x1) 1-7/16" x 25-3/16" x 56-1/16" (36 x 640 x 1424)



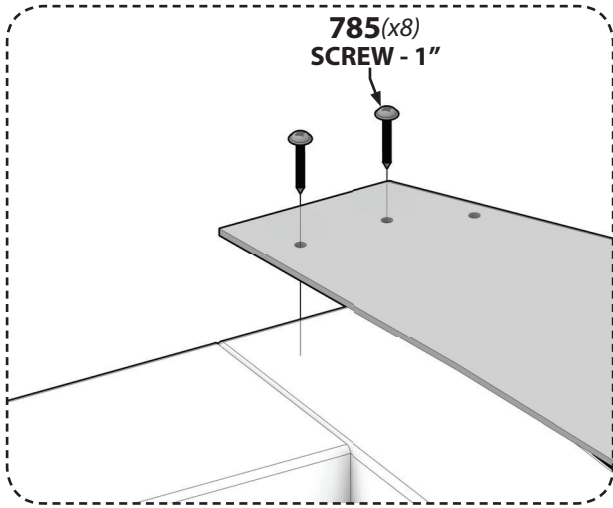
WP6 | REAR WINDOW FRAME - W2A02772
(x1) 1-7/16" x 25-3/16" x 56-1/16" (36 x 640 x 1424)



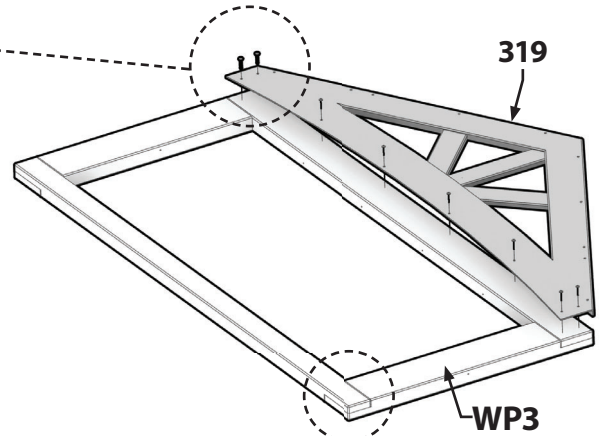
A6P00319 | ARCHED GABLE
(x2) A6P00319



H100785 | SCREW PWH
(x16) 8x1 - H100785

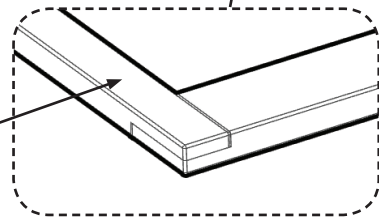


785(x8)
SCREW - 1"

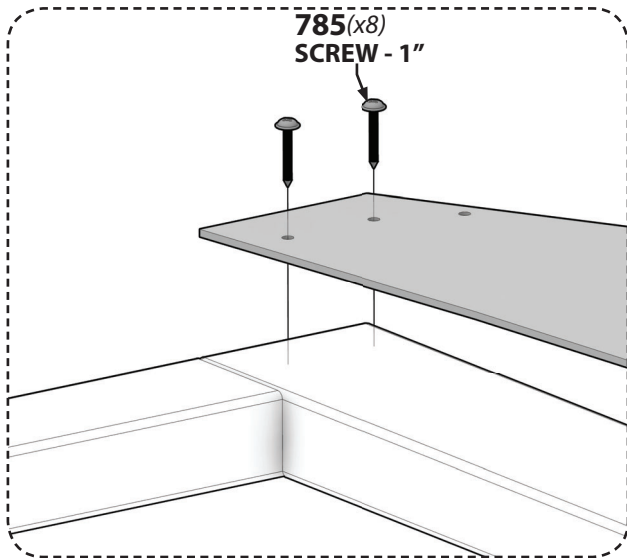


319

WP3



FRONT

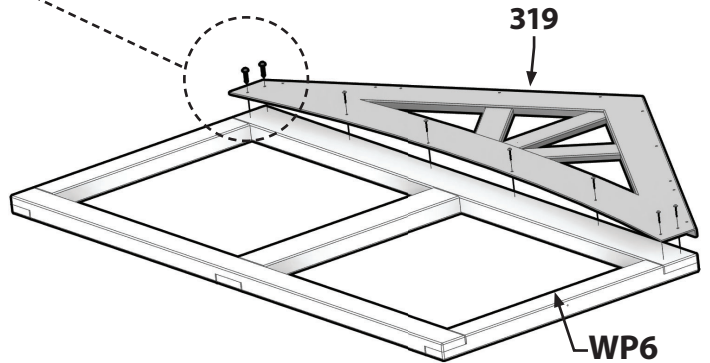


785(x8)
SCREW - 1"



ASSEMBLY TIP:

NOTE OVERLAP OF BOARDS TO DETERMINE THE FRONT OF BOTH PANELS.

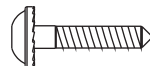


319

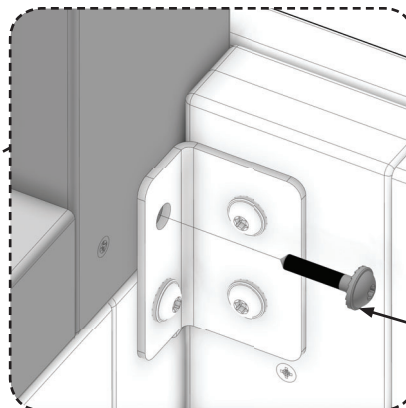
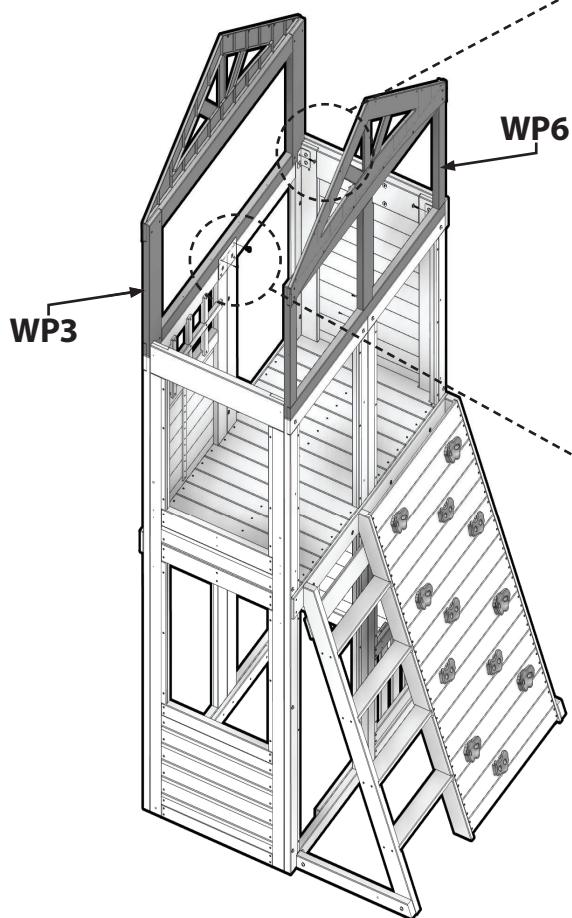
WP6



H100202 | SCREW PWH BLK
(x4) | 8x5/8 - H100202



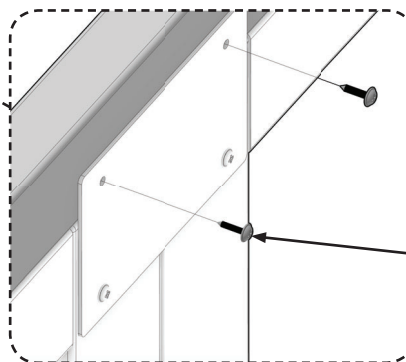
H100568 | LAG SCREW WH BLK
(x4) | 1/4x1-1/4 - H100568



568(x4)
SCREW - 1-1/4"



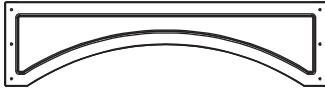
ASSEMBLY NOTE:
REPEAT THIS STEP AT EACH INSIDE CORNER.



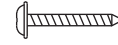
202(x4)
SCREW - 5/8"



ASSEMBLY NOTE:
REPEAT THIS STEP ON OPPOSITE SIDE.



A6P00320 | **ARCHED SIDE**
(x2) | A6P00320

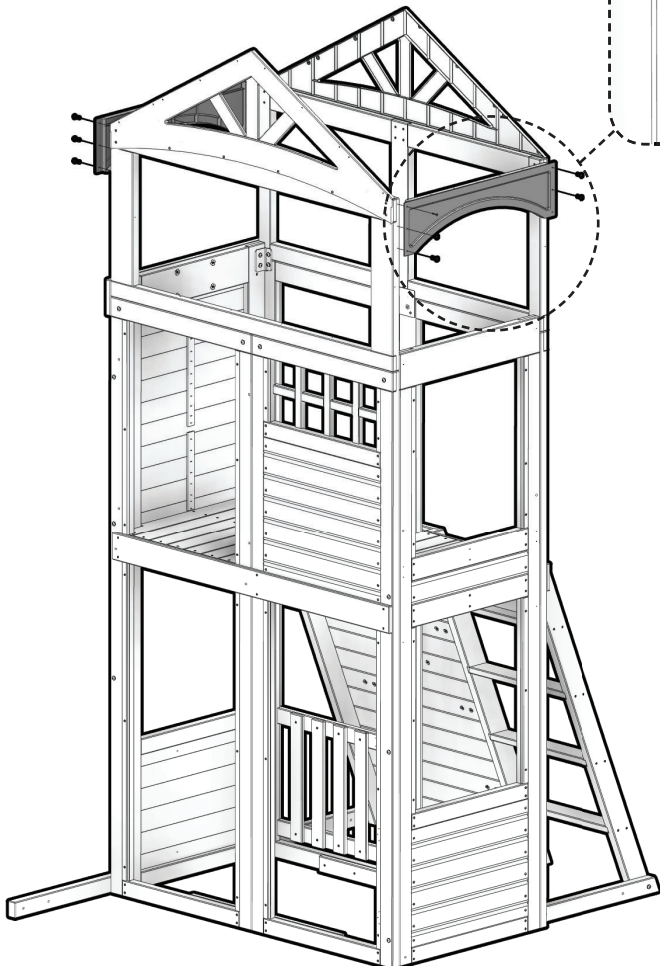
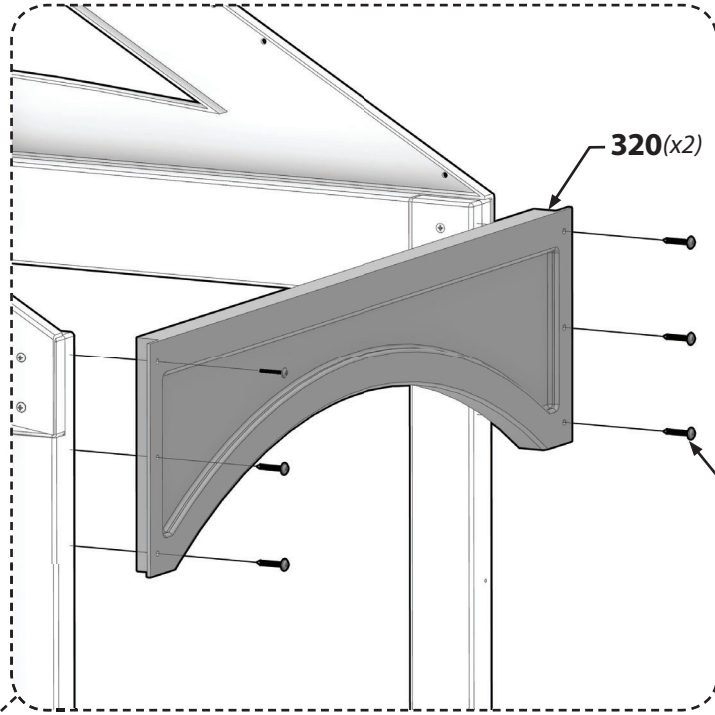


H100785 | **SCREW PWH**
(x12) | 8x1 - H100785



ASSEMBLY NOTE:

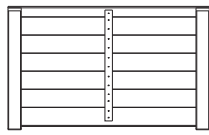
REPEAT THIS STEP ON OPPOSITE SIDE.





Phase 4

STEP 4



RP1 | **ROOF PANEL - W2A02781**
(x2) | 1-3/8" x 21-7/8" x 35-13/16" (35 x 556 x 910)

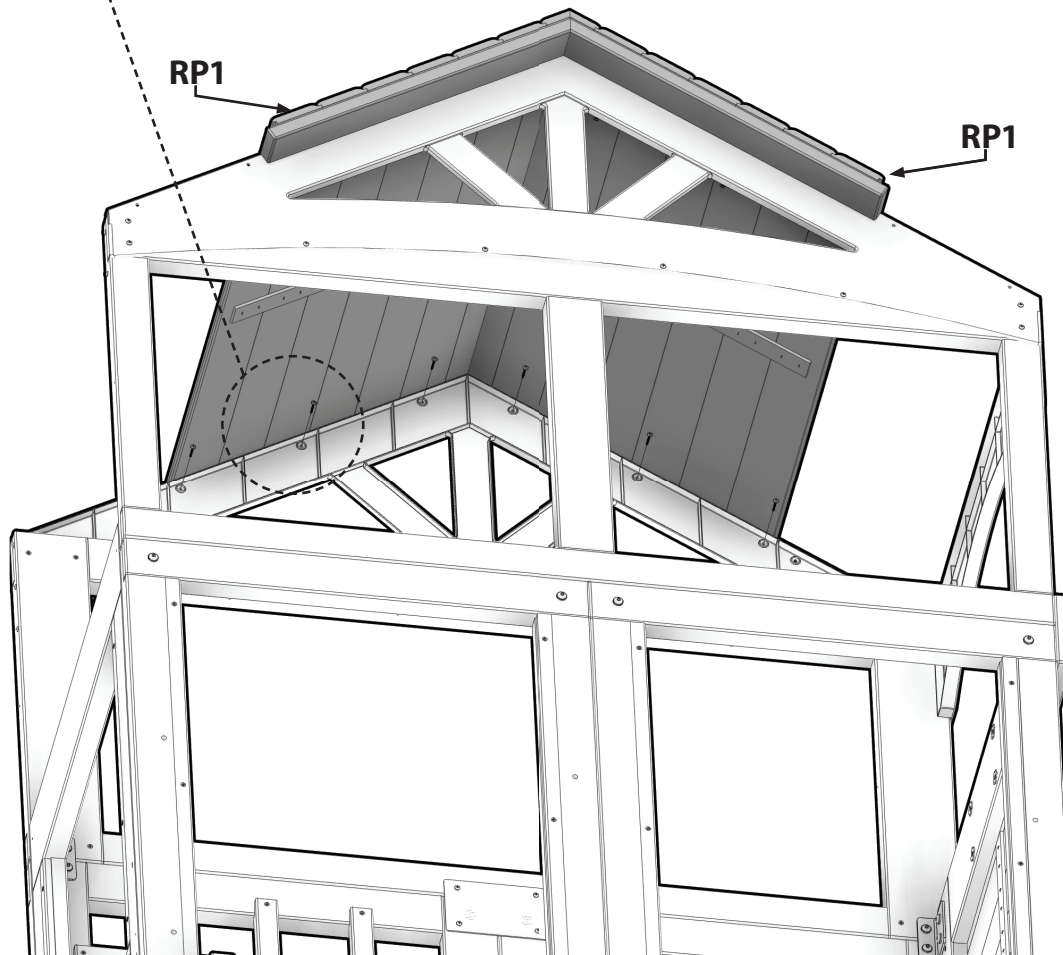
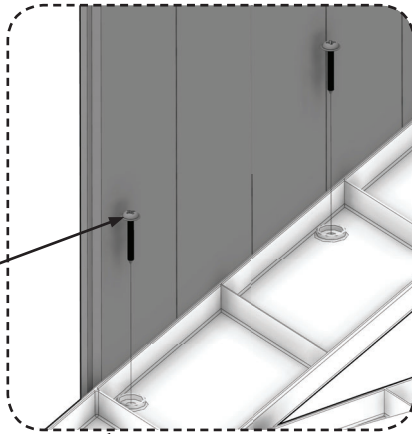


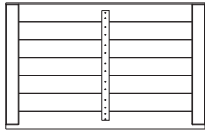
H100785 | **SCREW PWH**
(x12) | 8 x 1 - H100785



ASSEMBLY NOTE:
FASTEN ROOF PANEL WITH SCREWS ON
BOTH SIDE.

785(x12)
SCREW - 1"





RP2 | **ROOF PANEL - W2A02782**
(x2) | 1-3/8" x 22-5/8" x 35-13/16" (35 x 575 x 910)

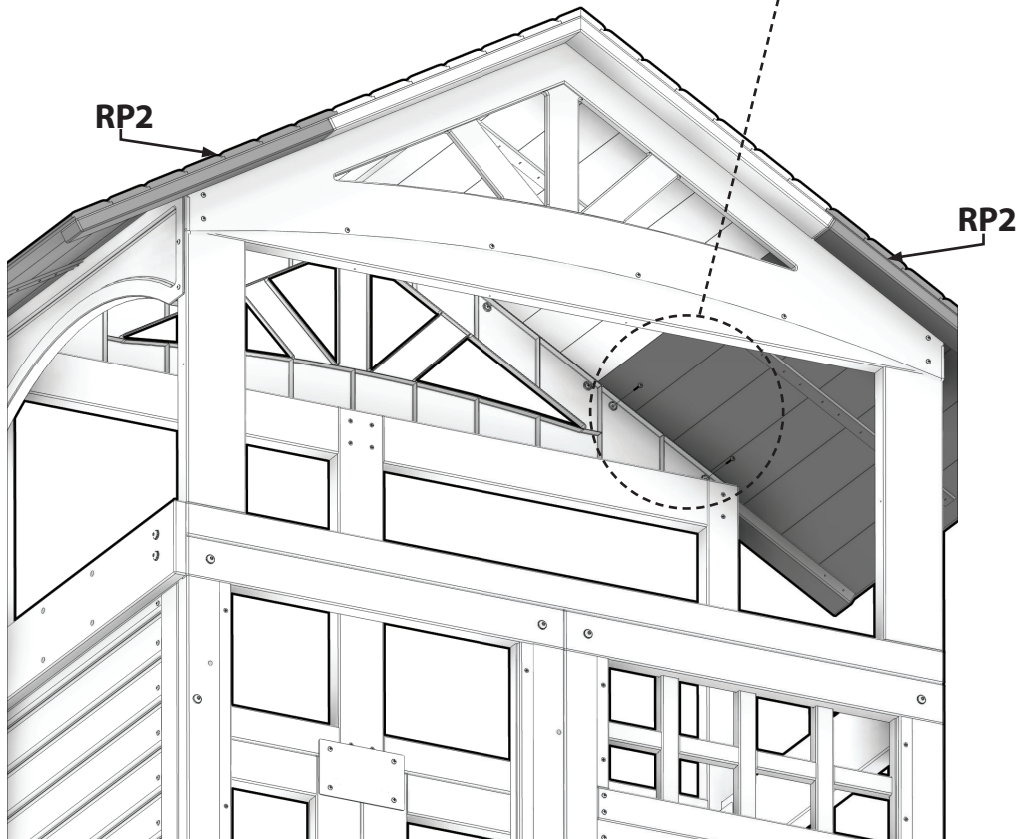
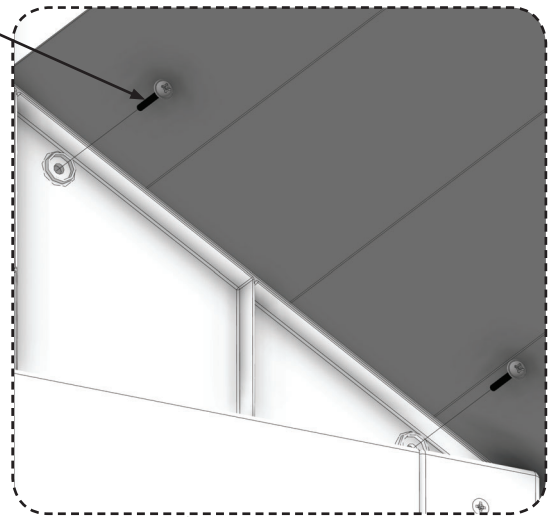


H100785 | **SCREW PWH**
(x8) | 8x1 - H100785



ASSEMBLY NOTE:
FASTEN ROOF PANEL WITH SCREWS ON BOTH SIDE.

785(x8)
SCREW - 1"



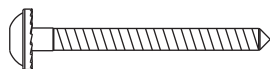


Phase 4

STEP 6



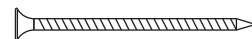
H10 | ANGLE BRACE - W4L12333
(x4) | 1" x 3-3/8" x 13-3/8" (24 x 86 x 340)



H100456 | LAG SCREW WH BLK
(x4) | 1/4 x 2-1/2 - H100456



H100405 | WASHER LOCK EXT BLK
(x4) | 6 x 15 - H100405



H100090 | SCREW PFH
(x8) | 8 x 2-1/2 - H100090

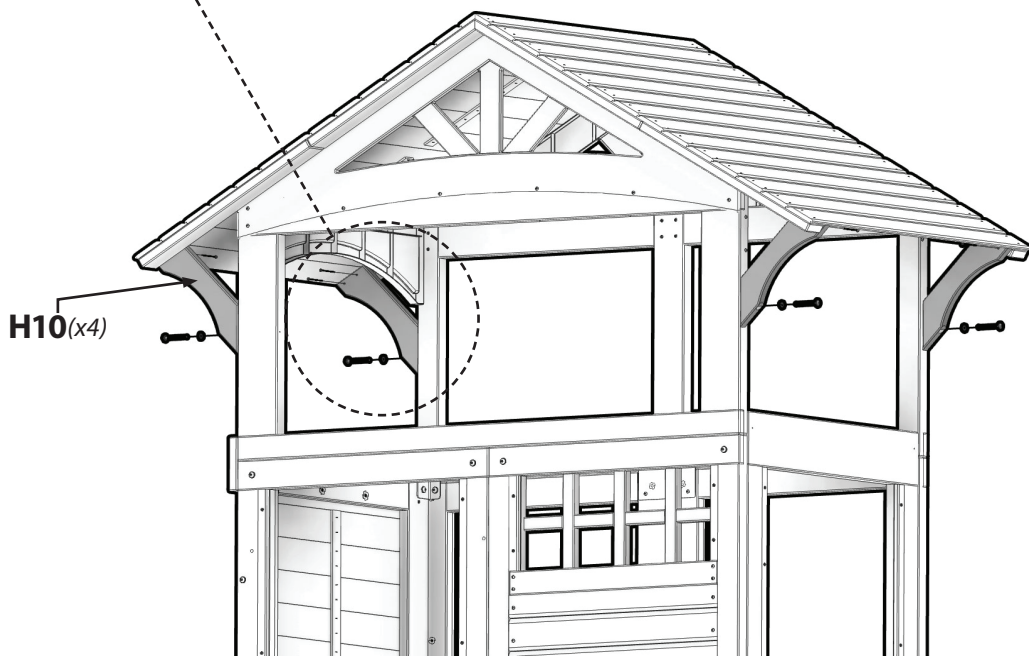
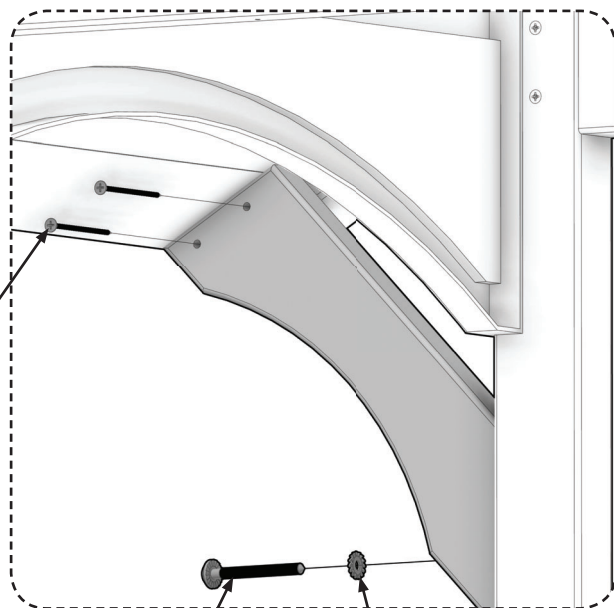
090(x8)
SCREW - 2-1/2"

456(x4)
LAG 2-1/2"

405(x4)
WASHER 6x15



ASSEMBLY NOTE:
REPEAT PROCESS 3 MORE TIMES TO FASTEN
ANGLE BRACES.

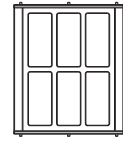
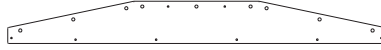


H10(x4)



Phase 4

STEP 7



J1 | **BAY WINDOW SIDE - W4L12333**
(x2) | 1" x 1-7/8" x 18-1/4" (24 x 48 x 464)

K1 | **BAY WINDOW HEADER - W4L12332**
(x2) | 5/8" x 5-1/4" x 7-1/4" (16 x 134 x 1199)

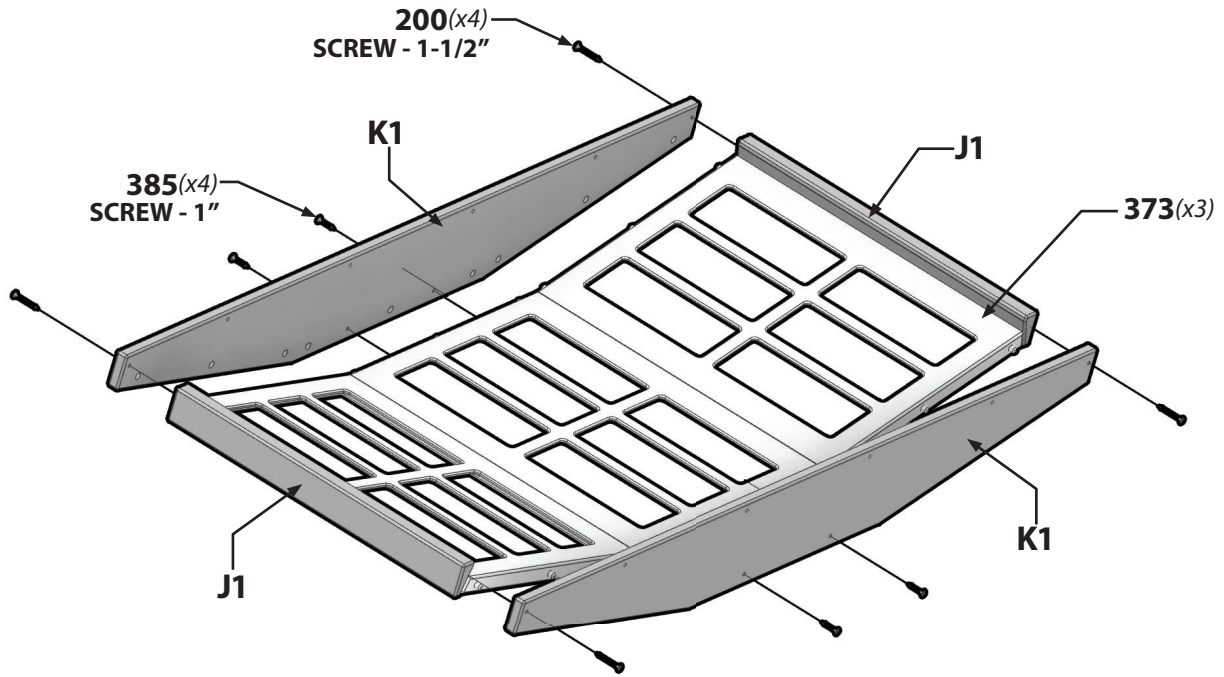
A100373 | **BAY WINDOW PANEL**
(x3) | A100373

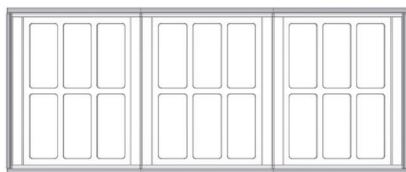


H100200 | **SCREW PFH BLK**
(x4) | 8x1-1/2 - H100200



H100385 | **SCREW PFH BLK**
(x4) | 8x1 - H100385



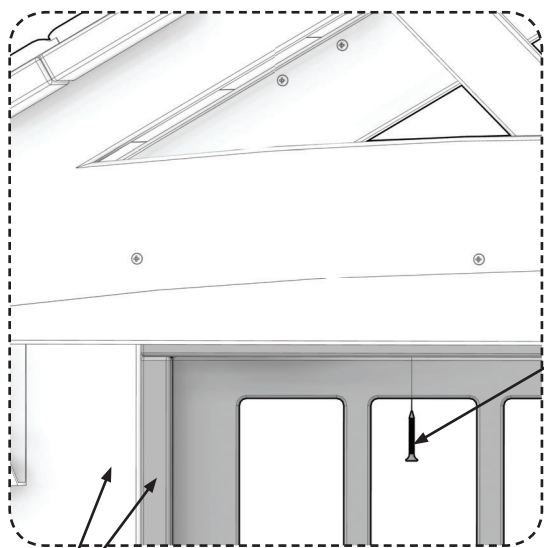


BAY WINDOW ASSEMBLY



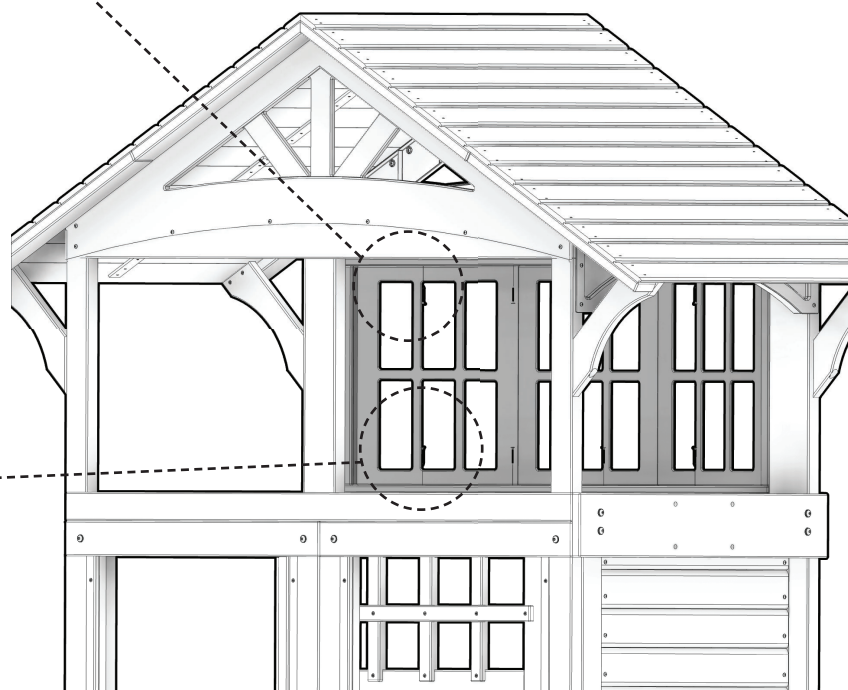
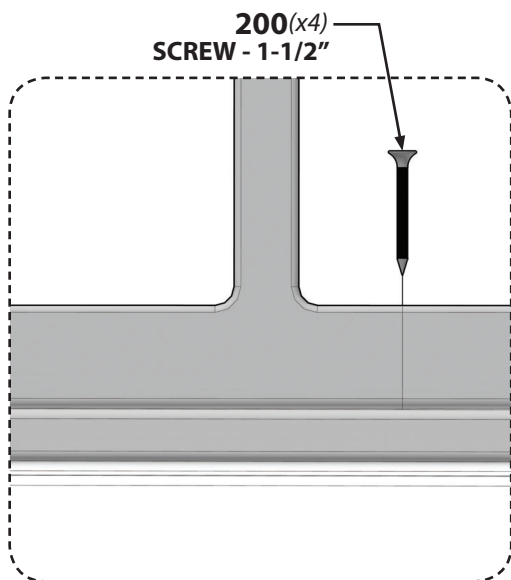
H100200
(x8)

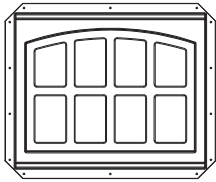
SCREW PFH BLK
8x1-1/2 - H100200



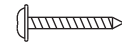
200(x4)
SCREW - 1-1/2"

FLUSH

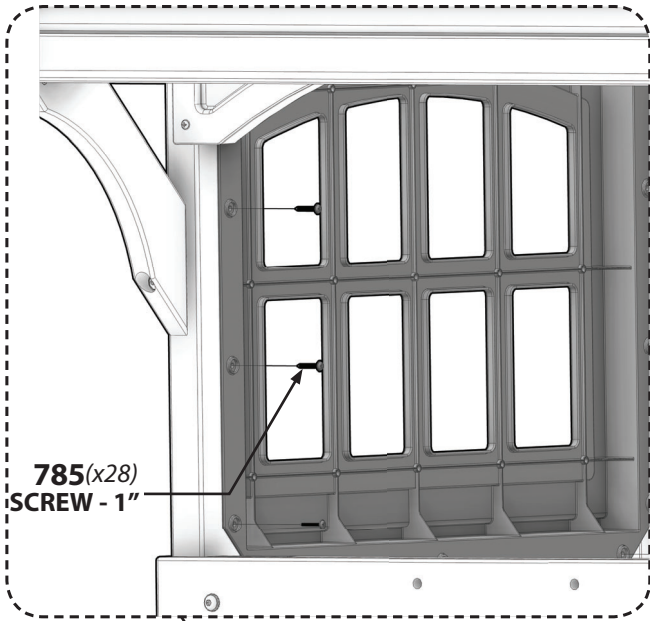




A6P00321 | **ARCHED WINDOW**
(x2) | A6P00321

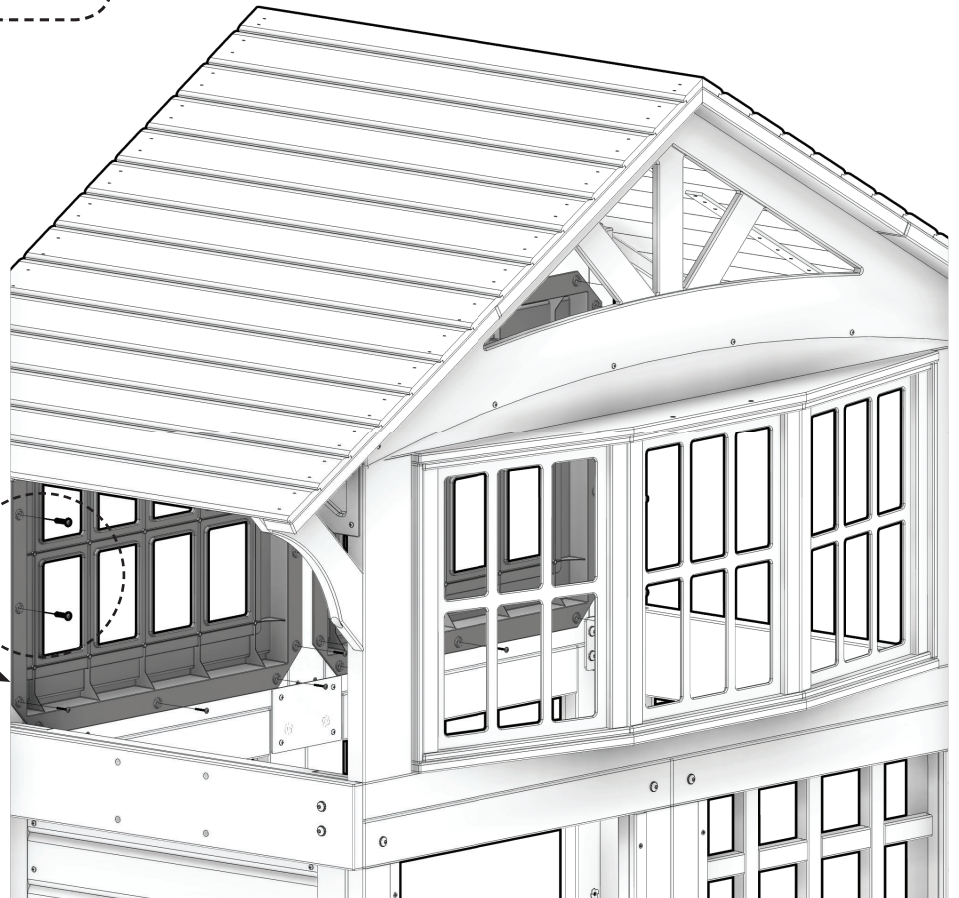


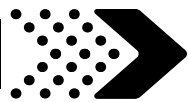
H100785 | **SCREW PWH**
(x28) | 8x1 - H100785



785(x28)
SCREW - 1"

321(x2)





Phase 5

STEP 1

F1 | POST - W4L12337
(x1) 1-3/8" x 2-3/8" x 80" (36 x 60 x 2032)

H2 | ARCHED RAIL - W4L12342
(x1) 1" x 3-3/8" x 29-1/4" (24 x 86 x 744)

F3 | POST - W4L12481
(x1) 1-3/8" x 2-3/8" x 80" (36 x 60 x 2032)

H8 | RAIL - W4L12458
(x1) 1" x 3-3/8" x 29-1/4" (24 x 86 x 744)

N1 | RAIL - W4L12334
(x1) 5/8" x 2-3/8" x 28-3/8" (16 x 60 x 720)

N4 | PICKET - W4L12341
(x4) 5/8" x 2-3/8" x 17-5/8" (16 x 60 x 448)

N5 | RAIL - W4L12470
(x1) 5/8" x 2-3/8" x 28-3/8" (16 x 60 x 720)

H100567 | BOLT WH BLK
(x6) 1/4 x 2-1/4 - H100567

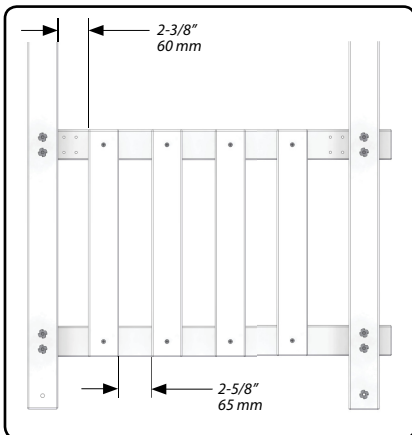
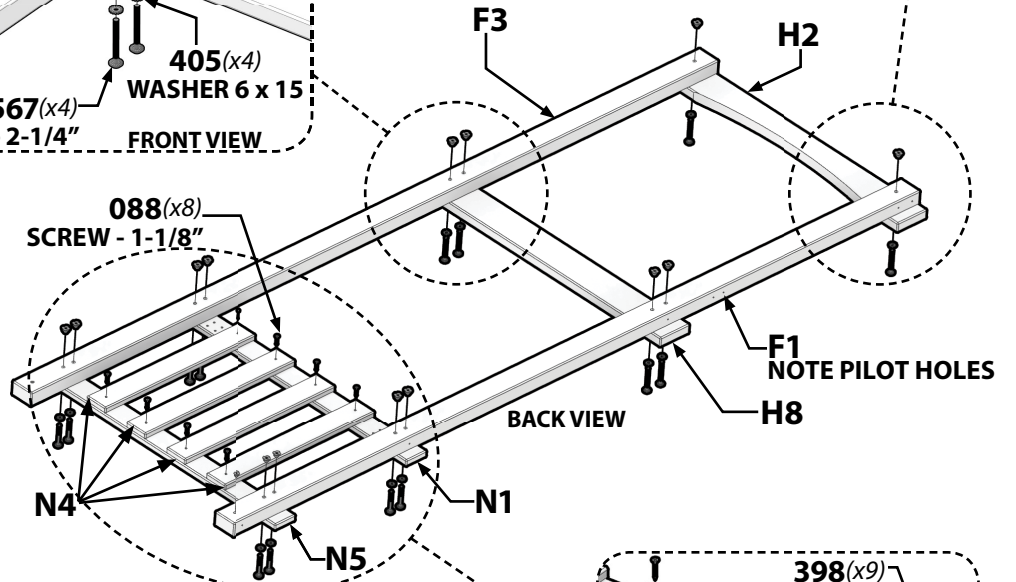
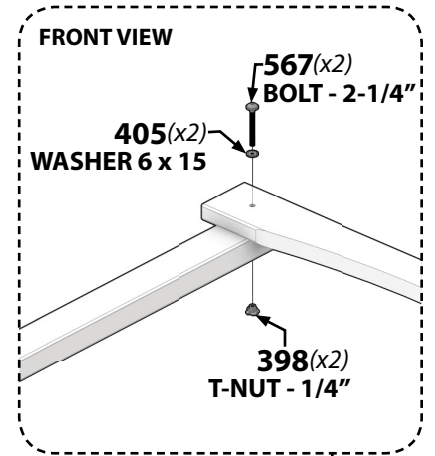
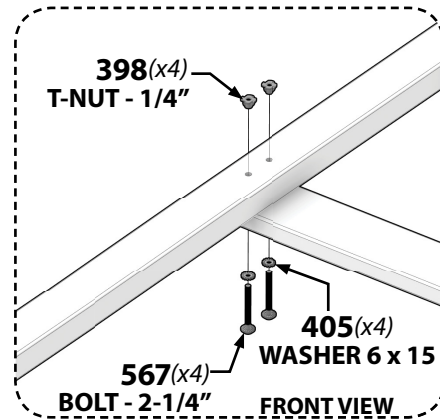
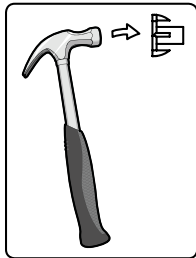
H100488 | BOLT WH BLK
(x8) 1/4 x 2 - H100488

H100088 | SCREW PFH
(x8) 8x1-1/8 - H100088

H100398 | T-NUT BLK
(x15) 1/4 - H100398

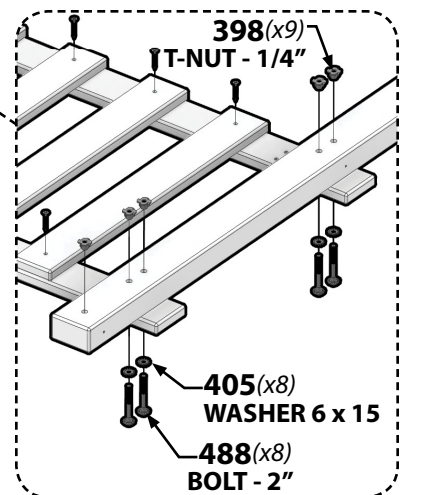
H100405 | WASHER LOCK EXT BLK
(x14) 6x15 - H100405

ASSEMBLY NOTE:
IN THIS STEP YOU WILL BE CREATING
"FRONT WALL SUB-ASSEMBLY" THAT
WILL BE USED IN A LATER STEP.



PICKET PLACEMENT

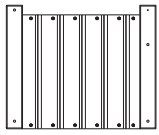
ASSEMBLY NOTE:
BOARDS "F1" AND "F3" PILOT HOLES
TO OUTSIDE.





Phase 5

STEP 2



WP8 (x1) | **WALL PANEL - W2A02775**
1-7/16" x 18 - 1/16" x 21-13/16" (36 x 458 x 554)

H7 (x1) | **RAIL - W4L12457**
1" x 3-3/8" x 18" (24 x 86 x 458)

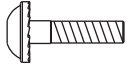
H15 (x1) | **RAIL - W4L12339**
1" x 3-3/8" x 18" (24 x 86 x 458)



A4M00555 (x2) | **L BRACKET BLK**
A4M00555



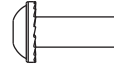
A4M00710 (x2) | **L BRACKET BLACK 32X51**
A4M00710



H100171 (x1) | **BOLT WH BLK**
1/4x1 - H100171



H100398 (x1) | **T-NUT BLK**
1/4 - H100398



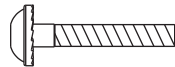
H100399 (x3) | **NUT BARREL WH BLK**
1/4 x 7/8 - H100399



H100400 (x3) | **WASHER LOCK EXT BLK**
8x15 - H100400



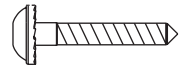
H100401 (x2) | **BOLT WH BLK**
1/4 x 1/2 - H100401



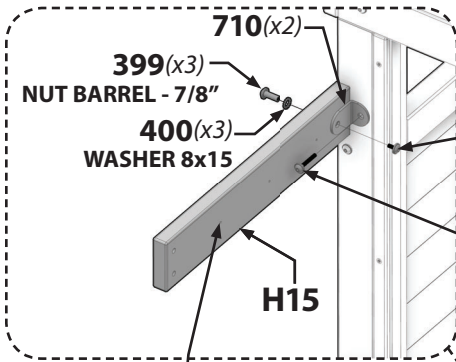
H100406 (x2) | **BOLT WH BLK**
1/4x1-1/2 - H100406



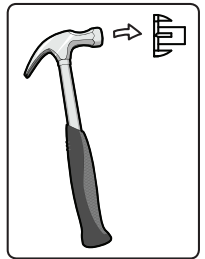
H100536 (x2) | **SCREW PWH BLK**
8 x 1-1/4 - H100536



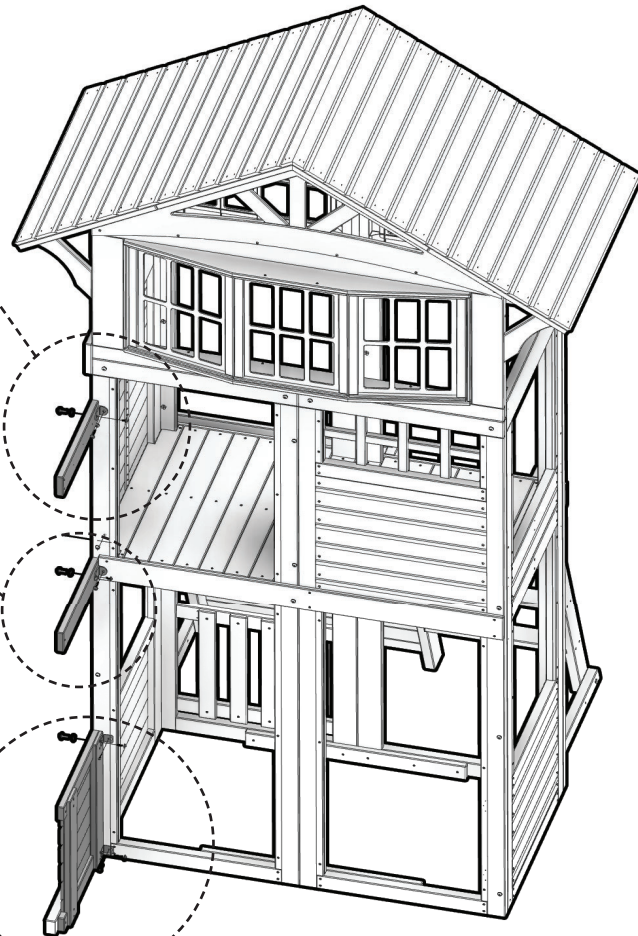
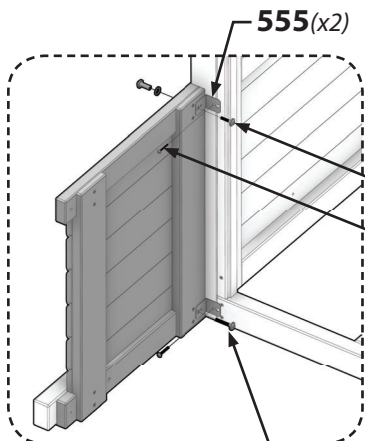
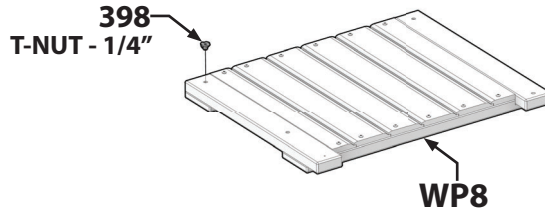
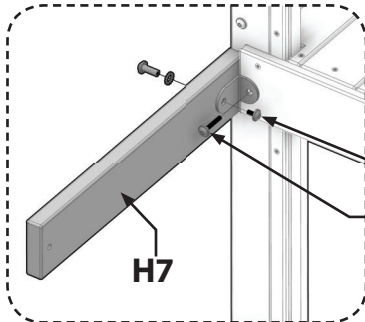
H100403 (x1) | **LAG SCREW WH BLK**
1/4 x 1-1/2 - H100403



ASSEMBLY NOTE:
ASSEMBLE T-NUT FIRST INTO 'WP8'.



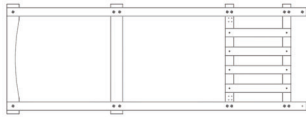
ASSEMBLY NOTE:
REPEAT PROCESS ABOVE ON H7 BORD. NOTE PILOT HOLES.





Phase 5

STEP 3



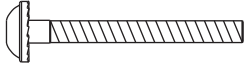
FRONT WALL SUB-ASSEMBLY



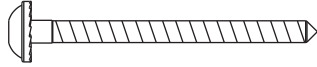
J7 | **BOTTOM BOARD - W4L12471**
(x1) | 1" x 2-3/8" x 28-3/8" (24 x 60 x 720)



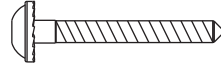
T4 | **TRIM - W4L11771**
(x1) | 1" x 1-3/8" x 17" (24 x 34 x 432)



H100567 | **BOLT WH BLK**
(x1) | 1/4 x 2-1/4 - H100567



H100792 | **LAG SCREW WH BLK**
(x1) | 1/4 x 3 - H100792



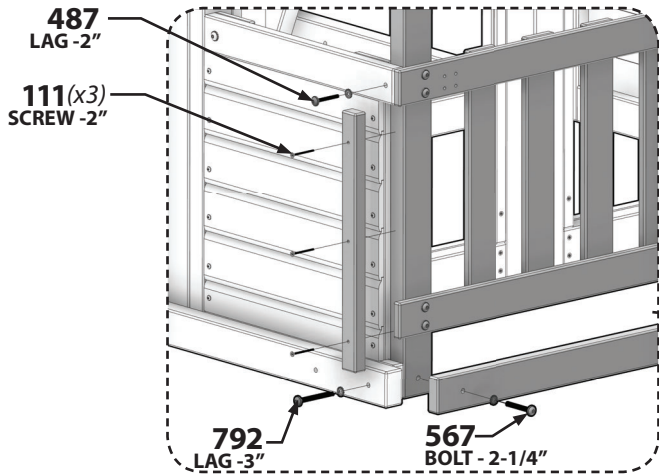
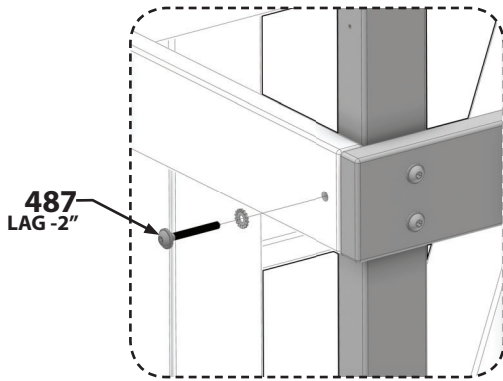
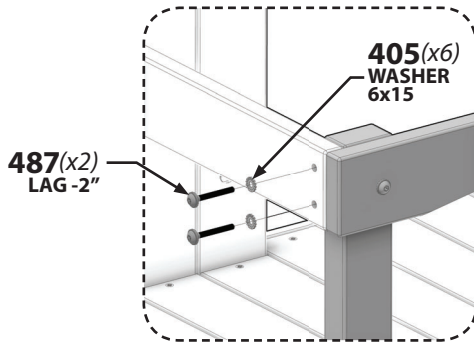
H100487 | **LAG SCREW WH BLK**
(x4) | 1/4 x 2 - H100487



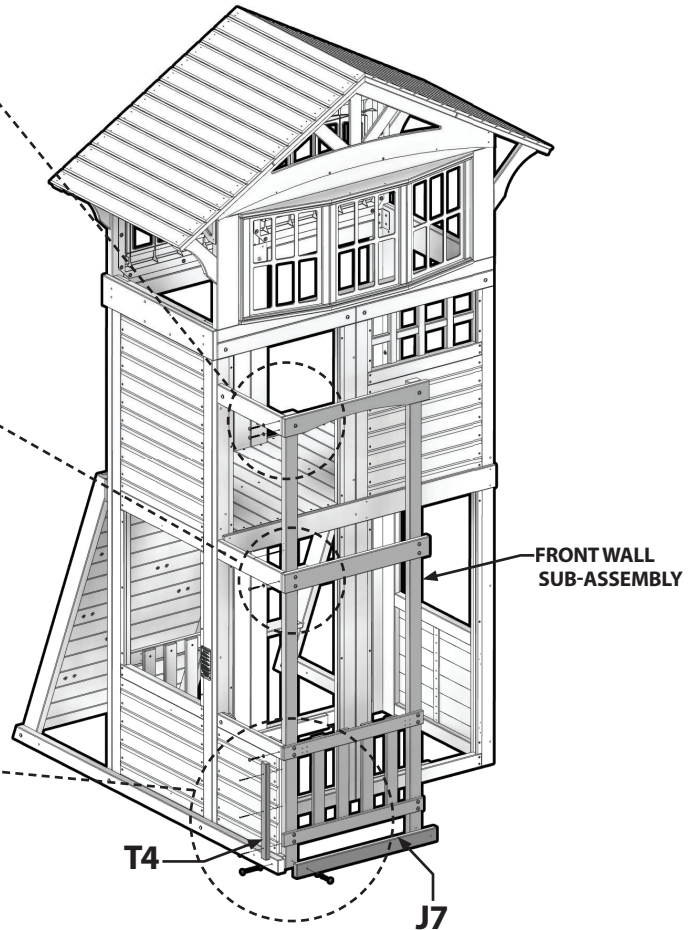
H100111 | **SCREW PFH**
(x3) | 8x2 - H100111



H100405 | **WASHER LOCK EXT BLK**
(x6) | 6x15 - H100405



 **ASSEMBLY NOTE:**
NOTE BOARD ORIENTATION.





Phase 5

STEP 4

H6 | RAIL - W4L12456
(x1) | 1" x 3-3/8" x 17-3/8" (24 x 86 x 442)

H15 | RAIL - W4L12339
(x1) | 1" x 3-3/8" x 18" (24 x 86 x 458)

A4M00710 | L BRACKET BLACK 32X51
(x2) | A4M00710



H100399 | NUT BARREL WH BLK
(x2) | 1/4 x 7/8 - H100399

H100400 | WASHER LOCK EXT BLK
(x2) | 8x15 - H100400

H100401 | BOLT WH BLK
(x2) | 1/4 x 1/2 - H100401

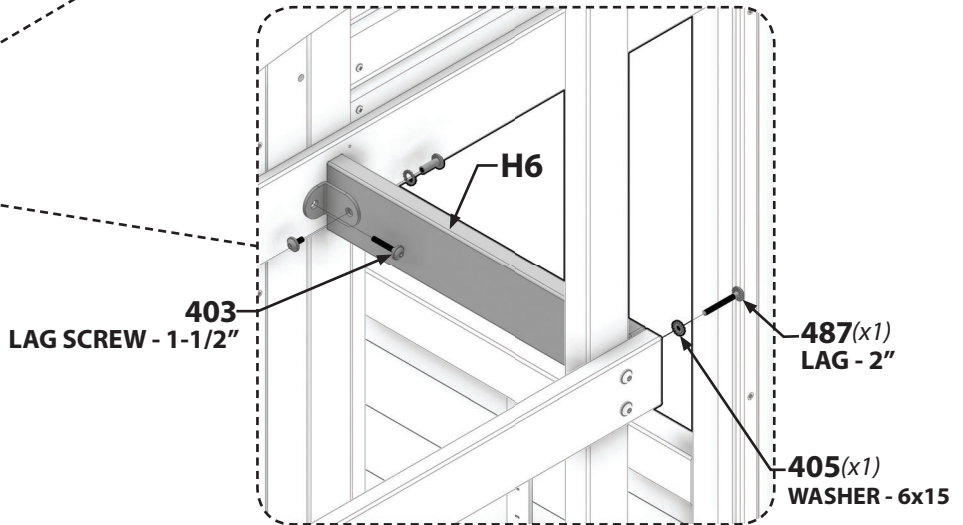
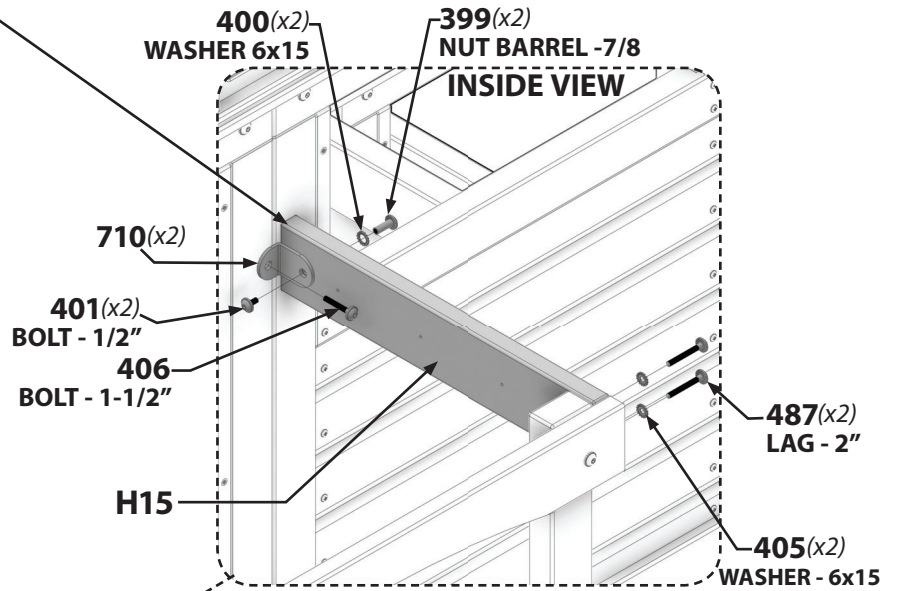
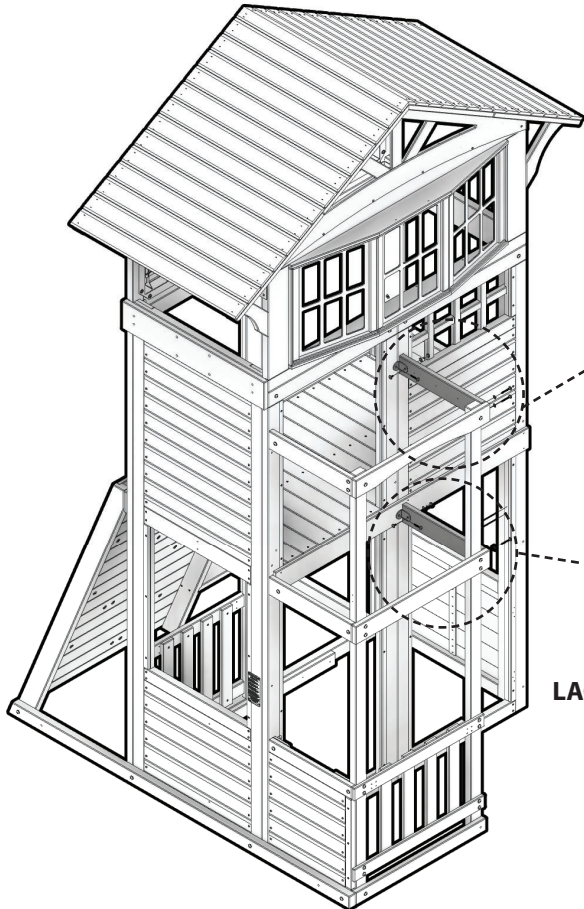
H100406 | BOLT WH BLK
(x1) | 1/4 x 1-1/2 - H100406

H100405 | WASHER LOCK EXT BLK
(x3) | 6x15 - H100405

H100487 | LAG SCREW WH BLK
(x3) | 1/4 x 2 - H100487

H100403 | LAG SCREW WH BLK
(x1) | 1/4 x 1-1/2 - H100403

ASSEMBLY NOTE:
NOTE PILOT HOLE ORIENTATION.

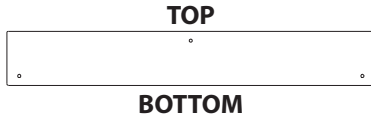


ASSEMBLY NOTE:
REPEAT ON H6 BOARD ATTACHMENT.



Phase 5

STEP 5



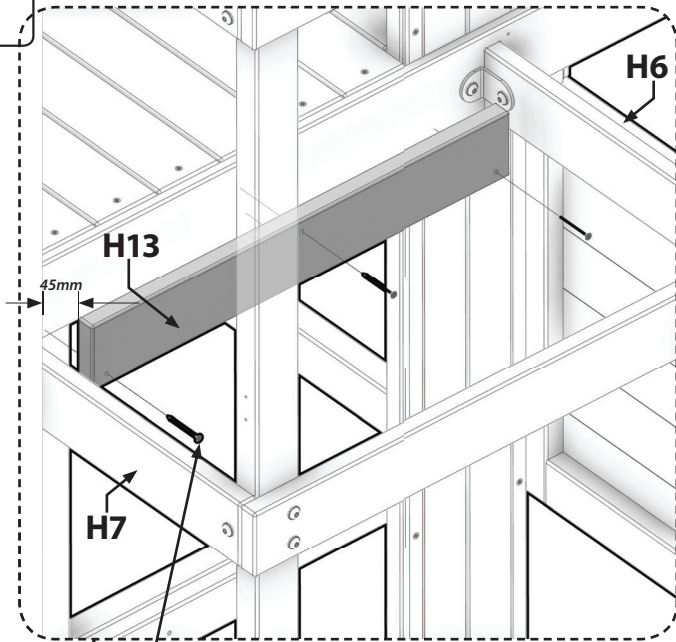
H13 | FLOOR JOIST - W4L12482
(x1) | 1" x 3-3/8" x 23" (24 x 86 x 585)



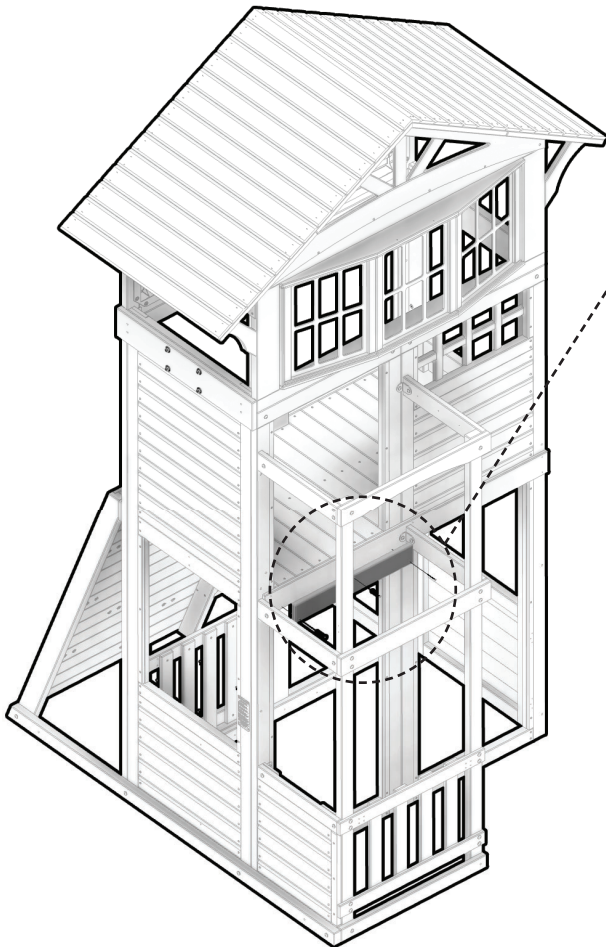
H100111 | SCREW PFH
(x3) | 8x2 - H100111



**FLUSH WITH BOTTOM OF RAIL.
DISTANCE BETWEEN BOARDS "H7" AND "H6"
FROM BOARD "H13" IS 45MM FROM EACH END.**



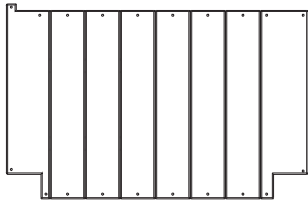
**111(x3)
SCREW - 2"**





Phase 5

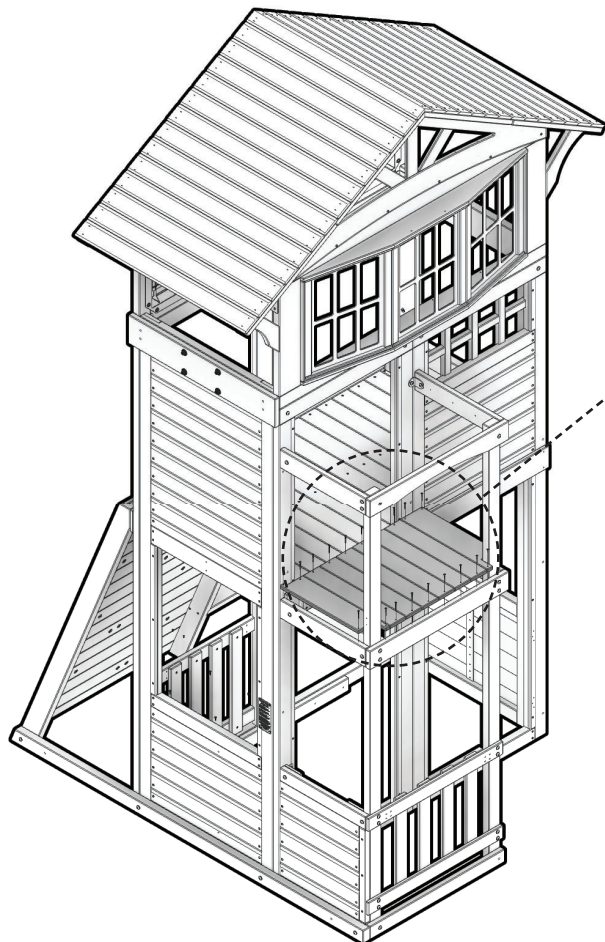
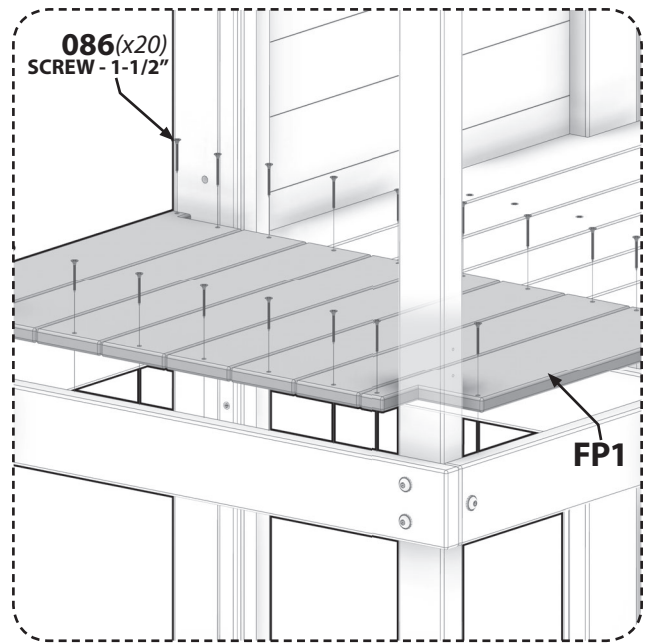
STEP 6



FP1 | FLOOR PANEL - W2A02777
(x1) | 1-1/4" x 19" x 29-1/4" (32 x 482 x 744)



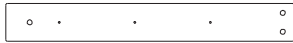
H100086 | SCREW PFH
(x20) | 8x1-1/2 - H100086





Phase 5

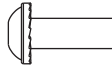
STEP 7



J2 | **RAIL - W4L12338**
(x2) | 1" x 2-3/8" x 18" (24 x 60 x 458)



A4M00710 | **L BRACKET BLACK 32X51**
(x2) | A4M00710



H100399 | **NUT BARREL WH BLK**
(x2) | 1/4 x 7/8 - H100399



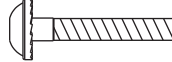
H100400 | **WASHER LOCK EXT BLK**
(x2) | 8x15 - H100400



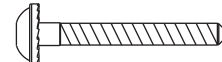
H100401 | **BOLT WH BLK**
(x2) | 1/4 x 1/2 - H100401



H100405 | **WASHER LOCK EXT BLK**
(x4) | 6x15 - H100405

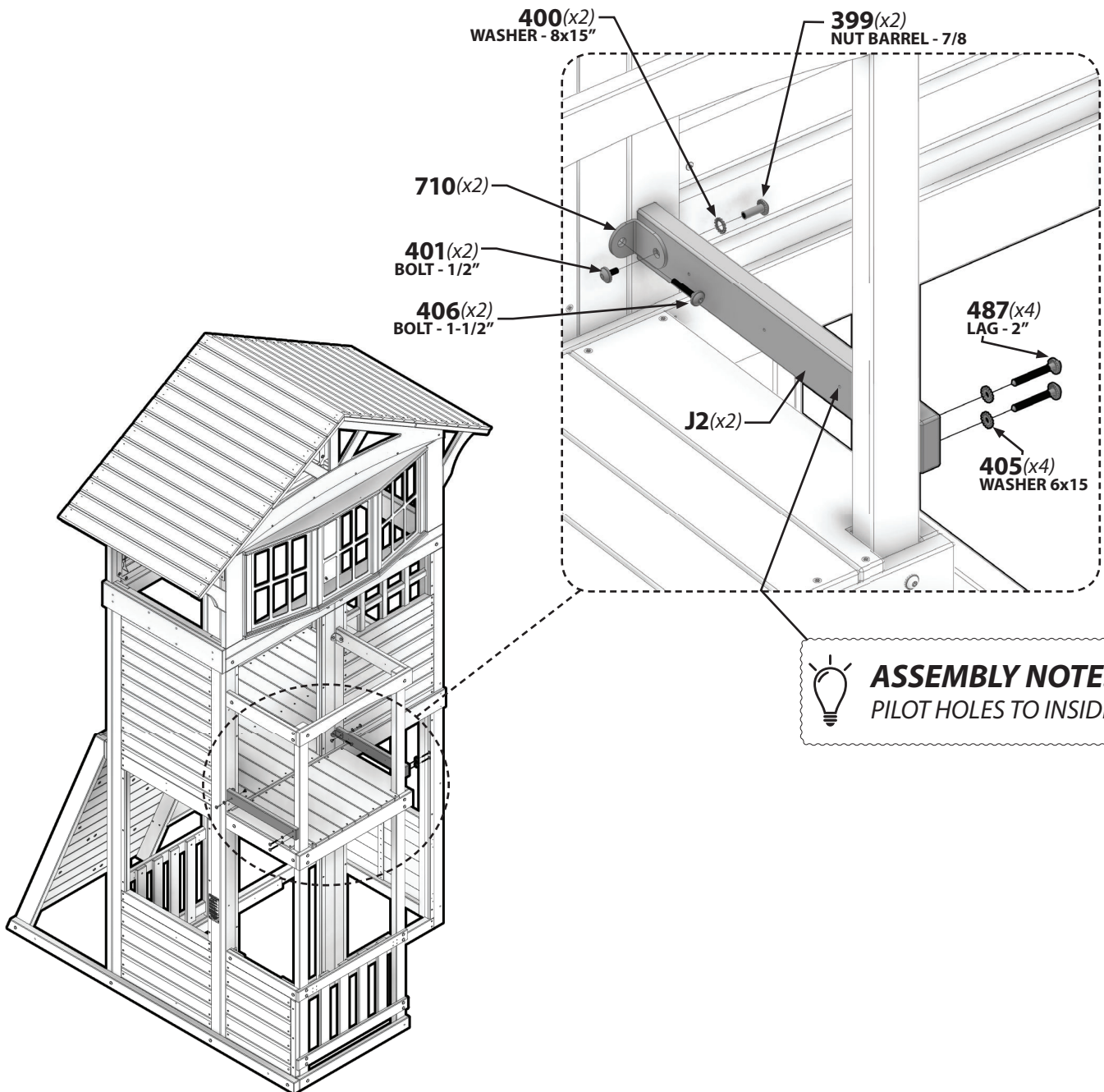


H100406 | **BOLT WH BLK**
(x2) | 1/4 x 1-1/2 - H100406

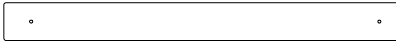
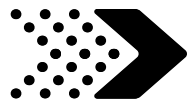


H100487 | **LAG SCREW WH BLK**
(x4) | 1/4 x 2 - H100487

NOTE: THE 'J2' RAIL IS ASSEMBLED THE SAME ON BOTH SIDES OF THE BALCONY SHOWN BELOW.



ASSEMBLY NOTE:
PILOT HOLES TO INSIDE.



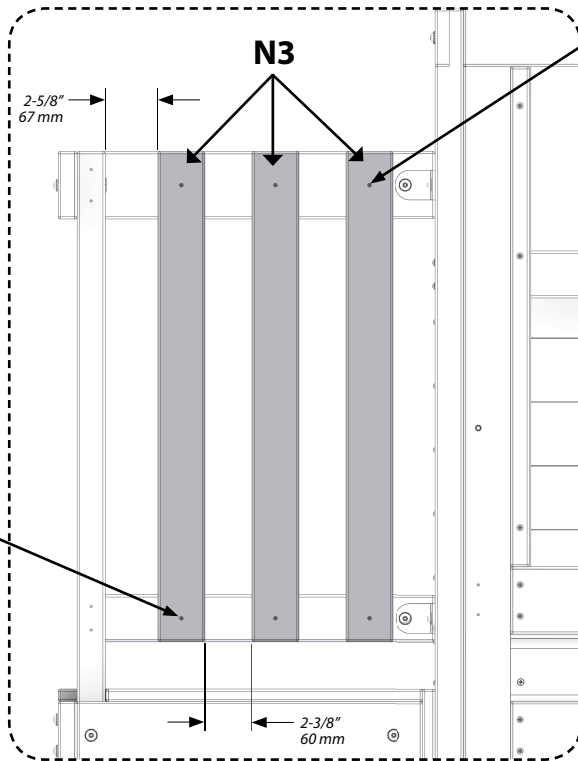
N3 | RAIL - W4L12340
(x6) | 5/8" x 2-3/8" x 24-5/8" (16 x 60 x 626)



H100088 | SCREW PFH
(x12) | 8x1-1/8 - H100088

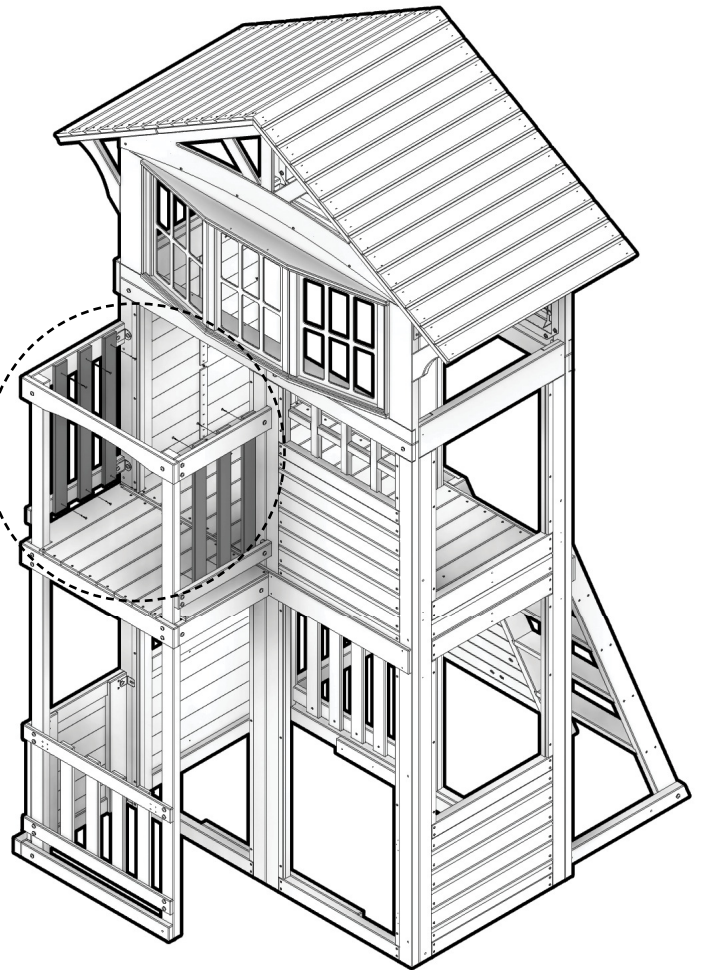


ASSEMBLY NOTE:
USE PILOT HOLES FOR SPACING.



088(x12)
SCREW - 1"

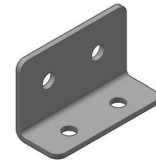
**PICKET PLACEMENT
FOR BOTH SIDES**





Phase 6

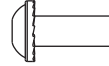
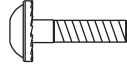
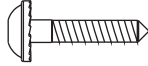
STEP 1



E1
(x2) **RAIL - W4L12344**
1-3/8" x 3-3/8" x 18" (36 x 86 x 462)

H9
(x1) **RAIL - W4L12451**
1" x 3-3/8" x 28" (24 x 86 x 712)

A4M00855
(x2) **L BRACKET 51X32X82X3.125**
A4M00855



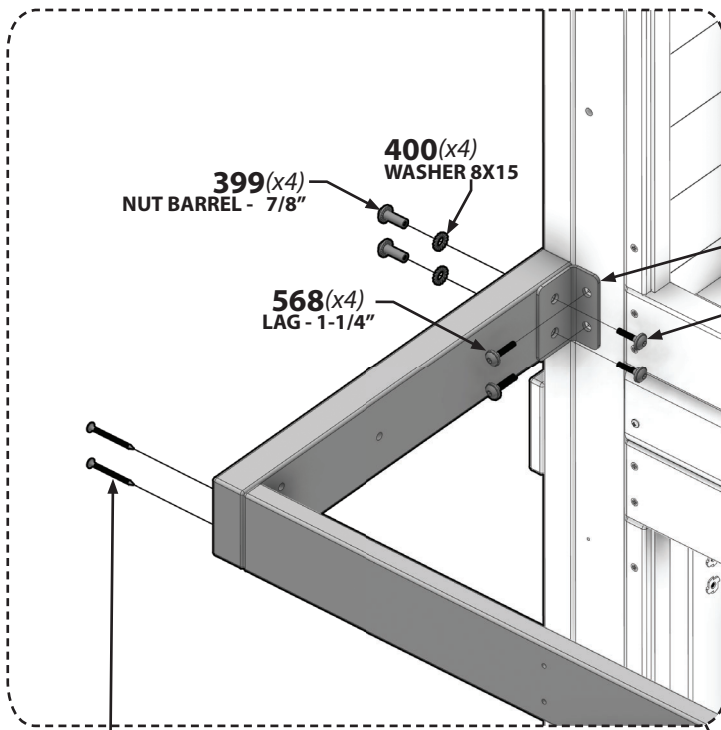
H100201
(x4) **SCREW PFH BLK**
8x2-1/2 - H100201

H100568
(x4) **LAG SCREW WH BLK**
1/4x1-1/4 - H100568

H100171
(x4) **BOLT WH BLK**
1/4x1 - H100171

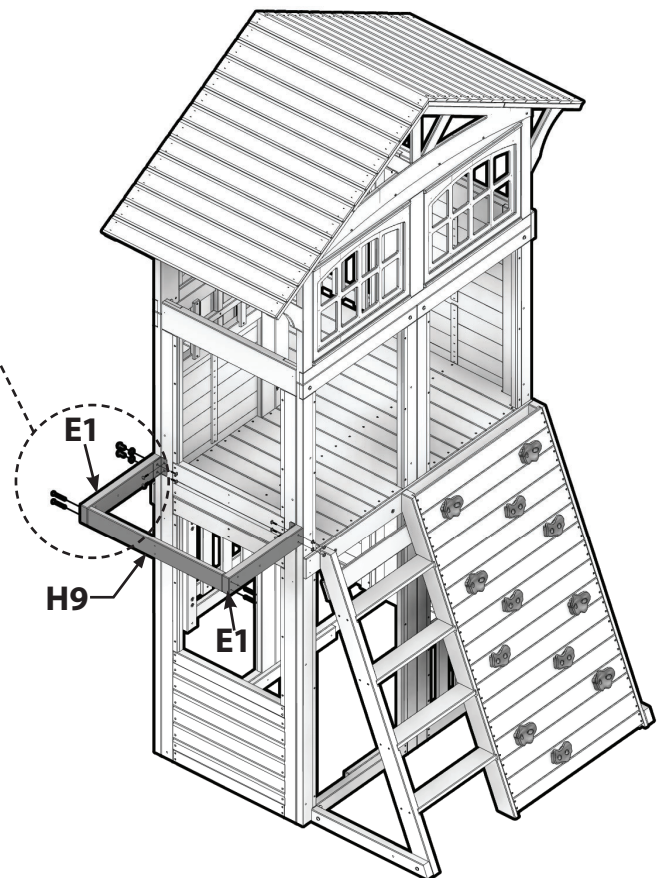
H100399
(x4) **NUT BARREL WH BLK**
1/4x7/8 - H100399

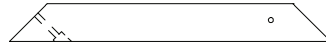
H100400
(x4) **WASHER LOCK EXT BLK**
8x15 - H100400



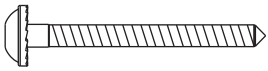
201(x4)
SCREW - 2-1/2"

 **ASSEMBLY NOTE:**
USE PILOT HOLES AS GUIDE.

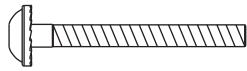




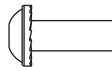
F2 | **ANGLE BRACE - W4L12343**
 (x2) | 1-3/8" x 3-3/8" x 20-1/8" (36 x 86 x 510)



H100456 | **LAG SCREW WH BLK**
 (x2) | 1/4x2-1/2 - H100456



H100567 | **BOLT WH BLK**
 (x2) | 1/4x2-1/4 - H100567



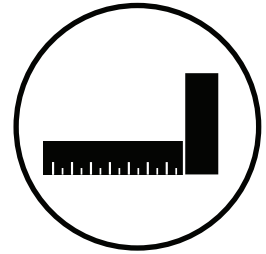
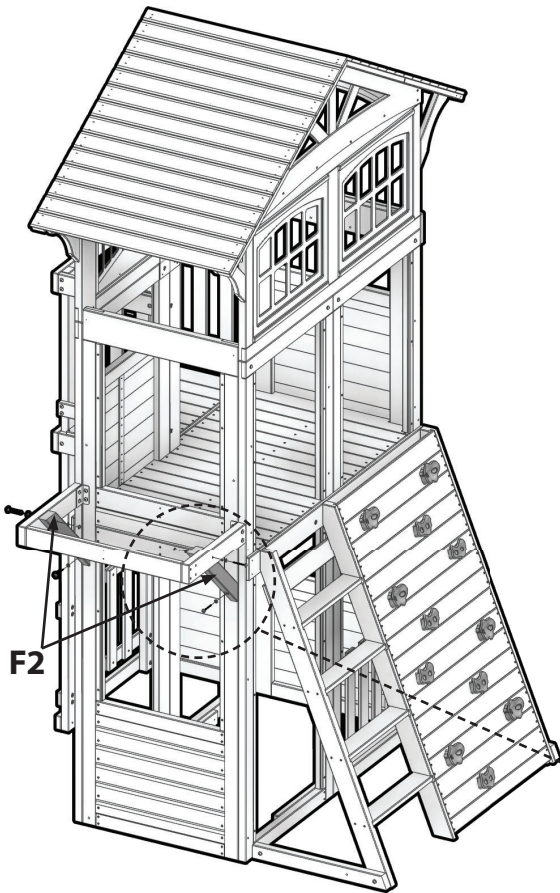
H100399 | **NUT BARREL WH BLK**
 (x2) | 1/4 x 7/8 - H100399



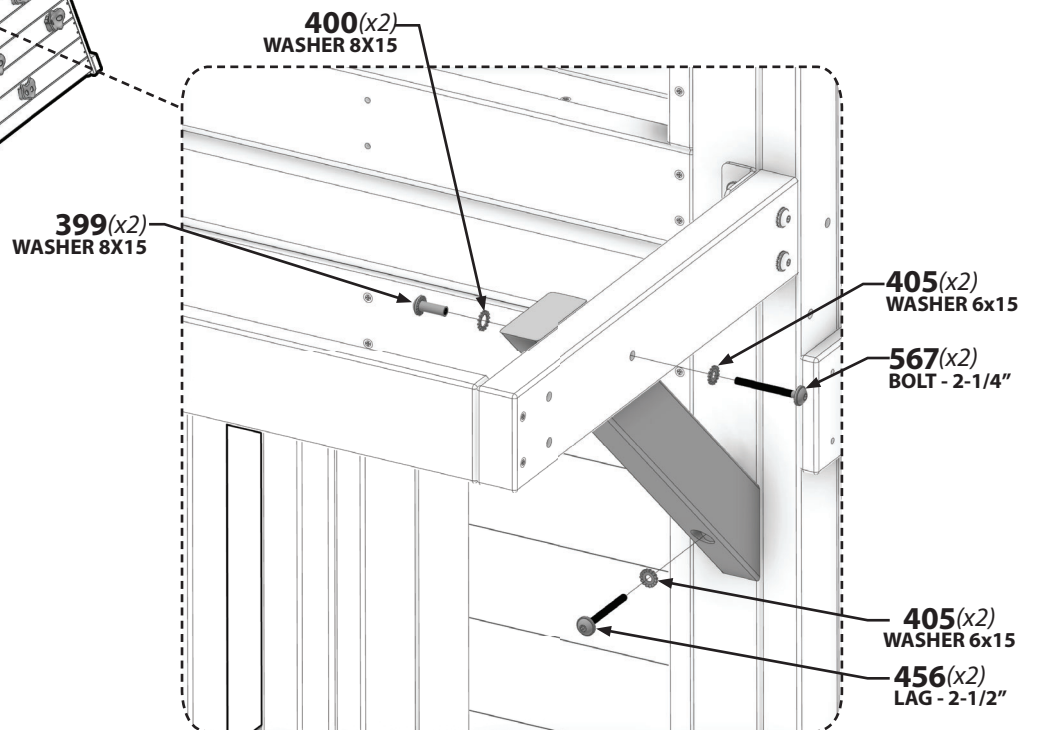
H100405 | **WASHER LOCK EXT BLK**
 (x4) | 6x15 - H100405



H100400 | **WASHER LOCK EXT BLK**
 (x2) | 8x15 - H100400



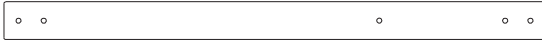
ASSEMBLY NOTE:
 REPEAT PROCESS FOR BOTH
 ANGLE BRACES.





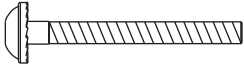
Phase 6

STEP 3



J4 | **POST - W4L12454**
(x2) | 1" x 2-3/8" x 33-7/8" (24 x 60 x 859)

J12 | **FLOOR SUPPORT - W4L1772**
(x2) | 1" x 2-3/8" x 3-7/8" (24 x 60 x 86)



H100567 | **BOLT WH BLK**
(x4) | 1/4x2-1/4 - H100567



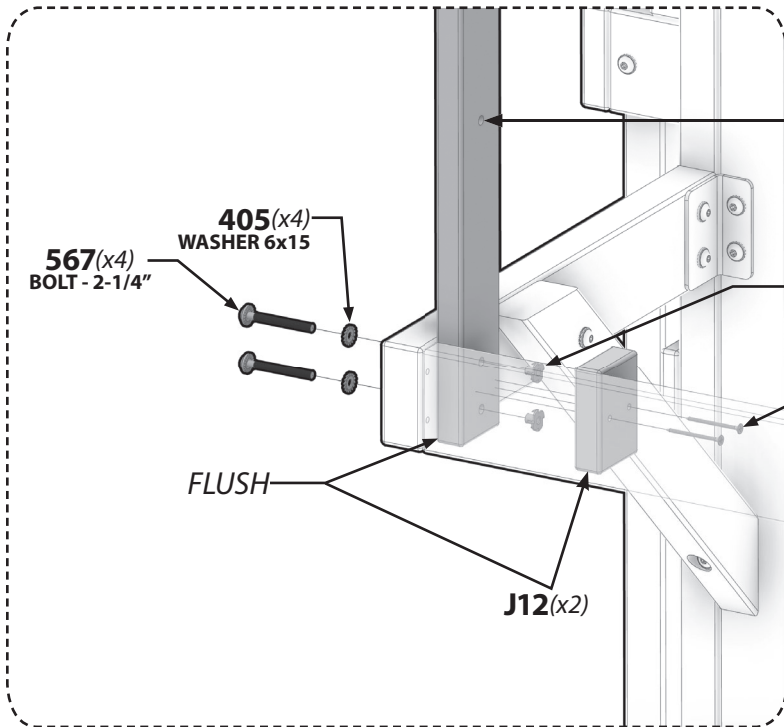
H100111 | **SCREW PFH**
(x4) | 8x2 - H100111



H100398 | **T-NUT BLK**
(x4) | 1/4 - H100398

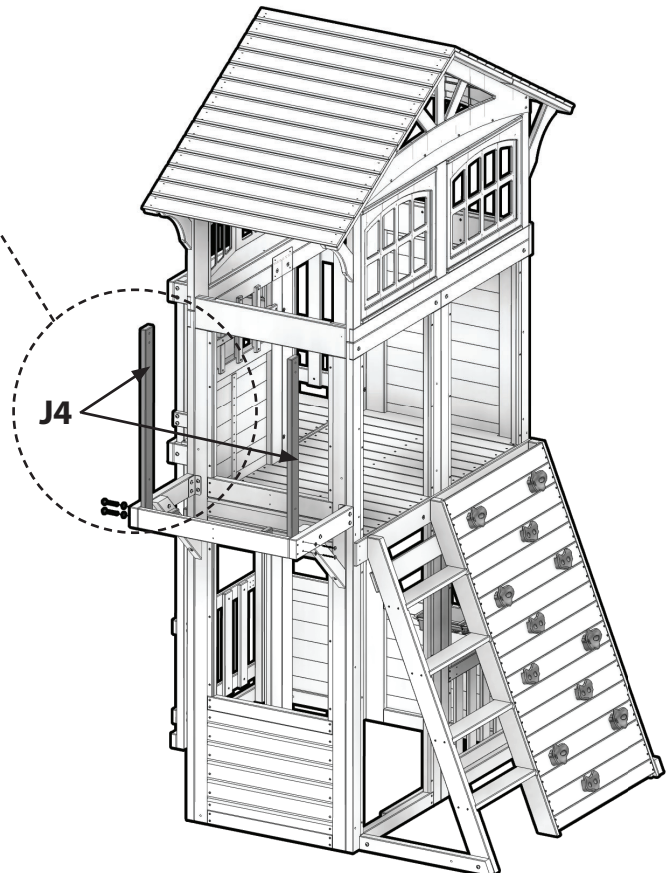


H100405 | **WASHER LOCK EXT BLK**
(x4) | 6x15 - H100405



ASSEMBLY NOTE:

NOTE HOLE AT BOTTOM
REPEAT THIS STEP ON OPPOSITE SIDE.





Phase 6

STEP 4



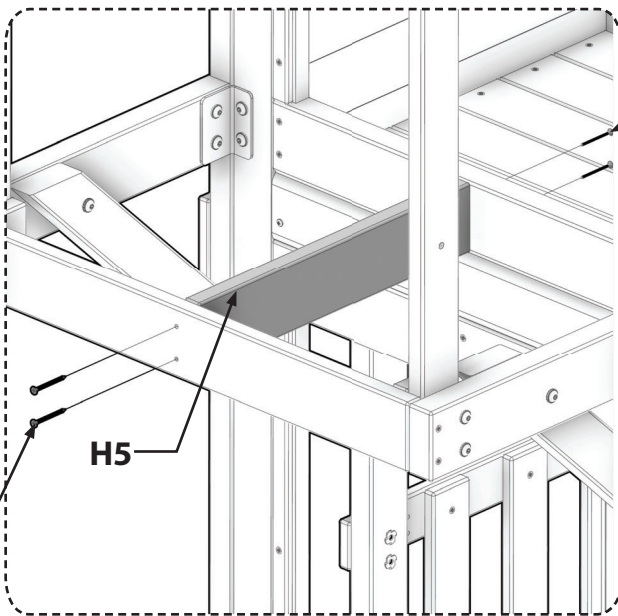
H5 | FLOOR JOIST - W4L12455
(x1) | 1" x 3-3/8" x 17-1/4" (24 x 86 x 438)



H100201 | SCREW PFH BLK
(x2) | 8x2-1/2 - H100201



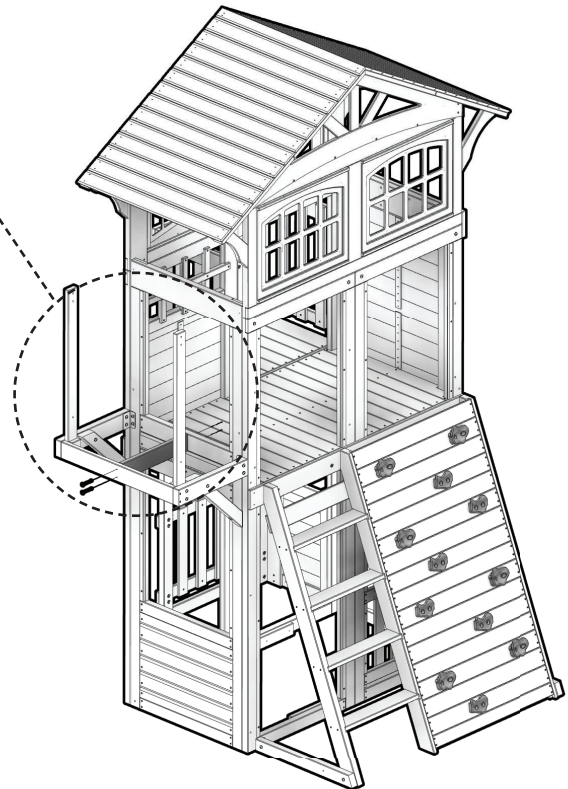
H100092 | SCREW PFH
(x2) | 8x3 - H100092



201(x2)
SCREW - 2-1/2"

H5

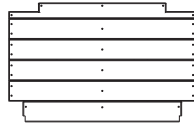
092(x2)
SCREW - 3"





Phase 6

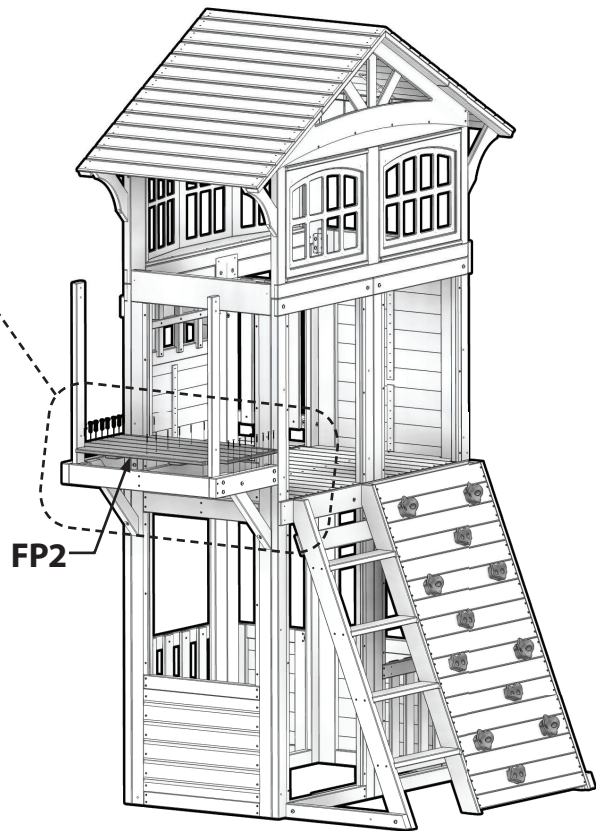
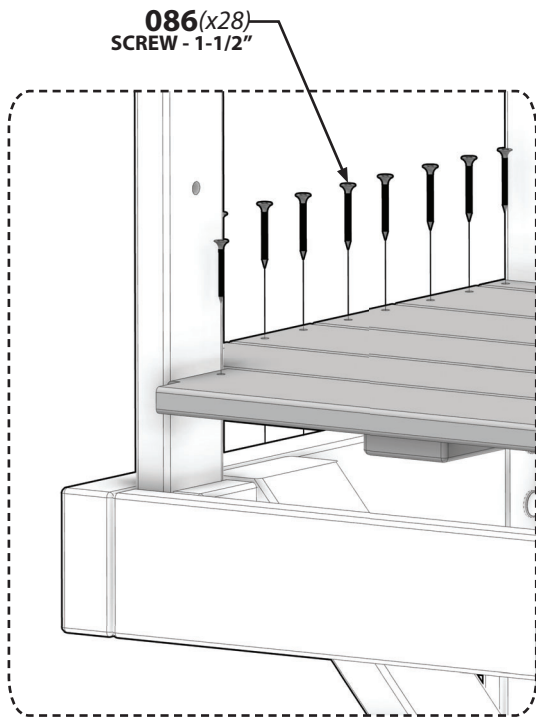
STEP 5



FP2 | **FLOOR PANEL - W2A02778**
(x1) | 1-1/4" x 19-9/16" x 30-7/8" (32 x 498 x 784)



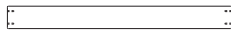
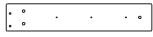
H100086 | **SCREW PFH**
(x28) | 8x1-1/2 - H100086





Phase 6

STEP 6

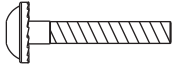


H4 | RAIL - W4L12452
(x1) | 1" x 3-3/8" x 18-1/4" (24 x 86 x 462)

H11 | RAIL - W4L12462
(x1) | 1" x 2-3/4" x 28" (24 x 71 x 712)

H12 | RAIL - W4L12463
(x1) | 1" x 3-3/8" x 18-1/4" (24 x 86 x 462)

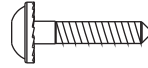
A4M00710 | L BRACKET BLACK 32X51
(x2) | A4M00710



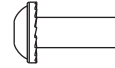
H100406 | BOLT WH BLK
(x4) | 1/4x1-1/2 - H100406



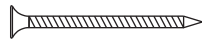
H100401 | BOLT WH BLK
(x2) | 1/4 x 1/2 - H100401



H100568 | LAG SCREW WH BLK
(x2) | 1/4x1-1/4 - H100568



H100399 | NUT BARREL WH BLK
(x6) | 1/4 x 7/8 - H100399



H100391 | SCREW PFH BLK
(x4) | 8x2 - H100391



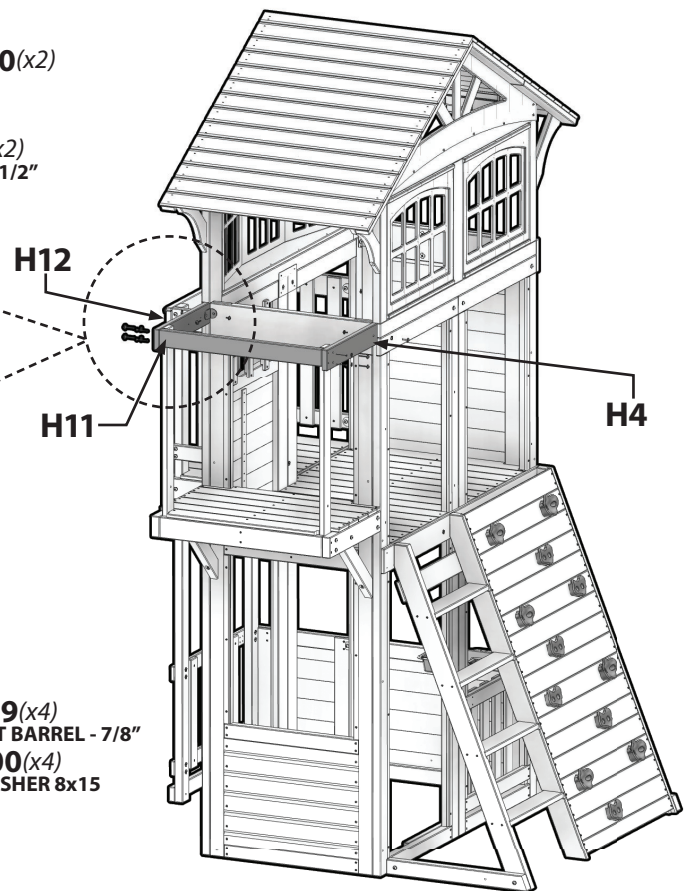
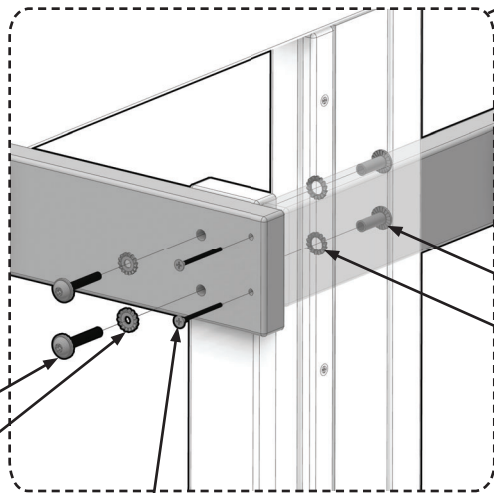
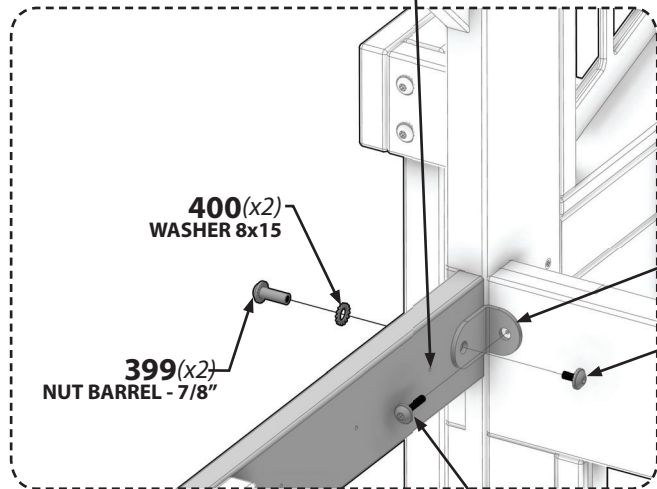
H100405 | WASHER LOCK EXT BLK
(x4) | 6x15 - H100405



H100400 | WASHER LOCK EXT BLK
(x6) | 8x15 - H100400



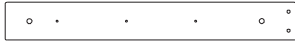
ASSEMBLY NOTE:
PILOT HOLES TO INSIDE.





Phase 6

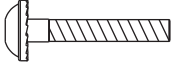
STEP 7



J3 | **RAIL - W4L12453**
(x2) | 1" x 2-3/8" x 18-1/4" (24 x 60 x 462)



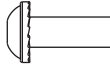
A4M00710 | **L BRACKET BLACK 32X51**
(x2) | A4M00710



H100406 | **BOLT WH BLK**
(x4) | 1/4x1-1/2 - H100406



H100401 | **BOLT WH BLK**
(x2) | 1/4x1/2 - H100401



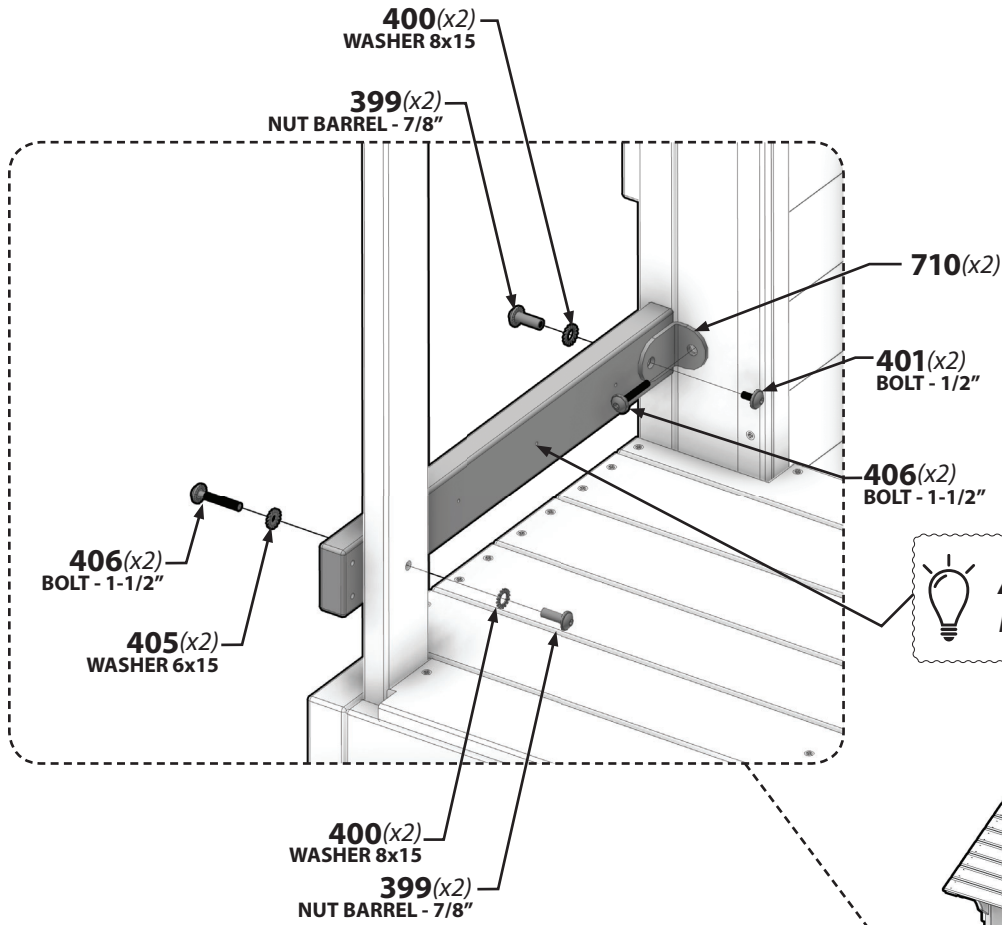
H100399 | **NUT BARREL WH BLK**
(x4) | 1/4 x 7/8 - H100399



H100405 | **WASHER LOCK EXT BLK**
(x2) | 6x15 - H100405

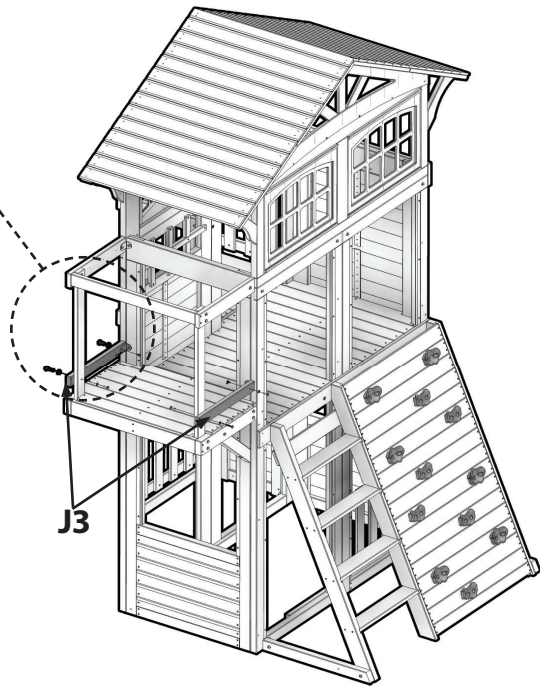


H100400 | **WASHER LOCK EXT BLK**
(x4) | 8x15 - H100400



ASSEMBLY NOTE:
REPEAT PROCESS FOR BOTH
"J3" BOARDS.

ASSEMBLY NOTE:
PILOT HOLES TO INSIDE.



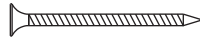


Phase 6

STEP 8

T2 | TRIM - W4L12483
(x1) | 1" x 1-3/8" x 27-5/8" (24 x 34 x 702)

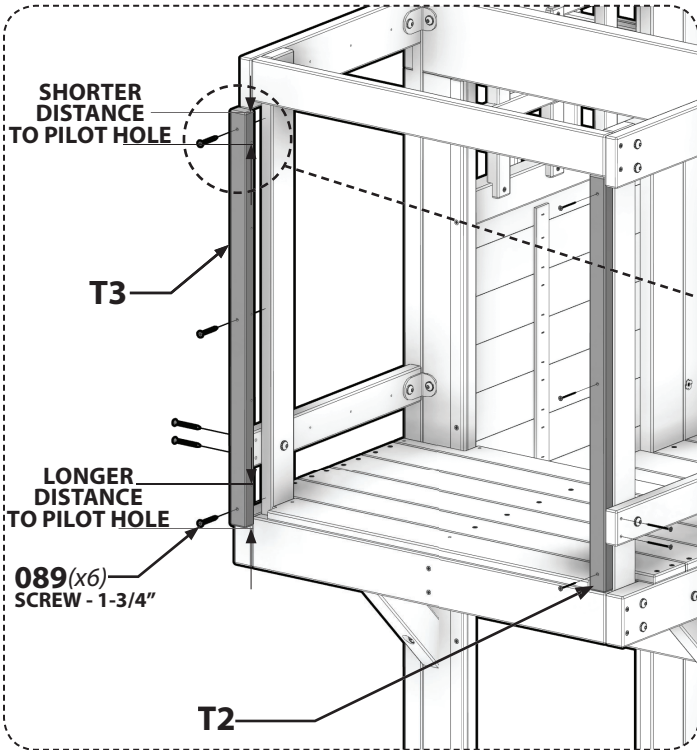
T3 | TRIM - W4L12484
(x1) | 1" x 1-3/8" x 27-5/8" (24 x 34 x 702)



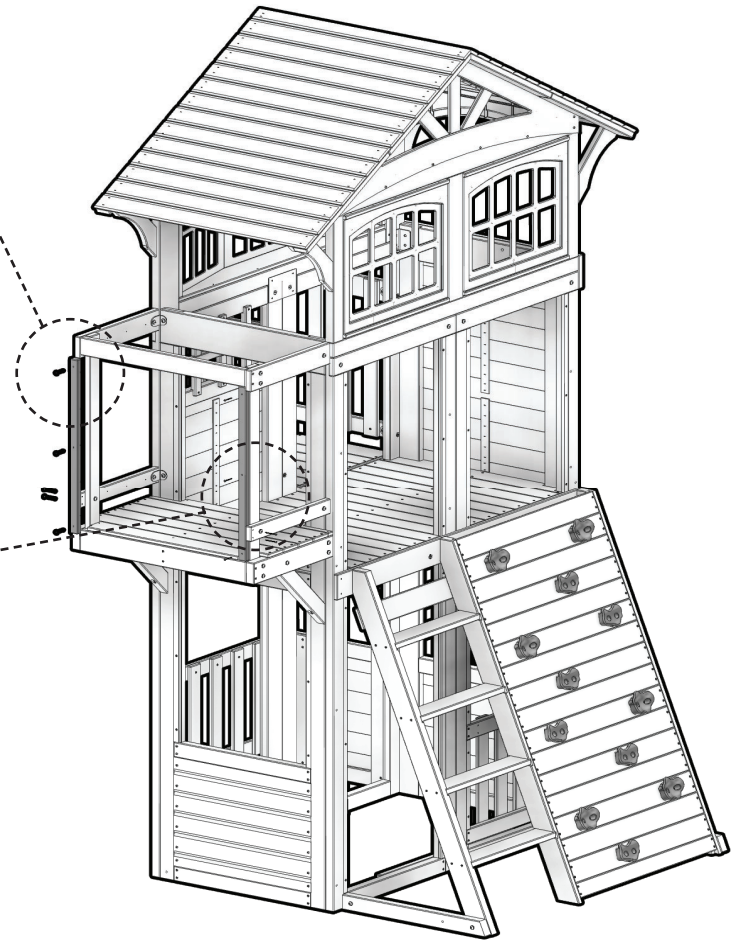
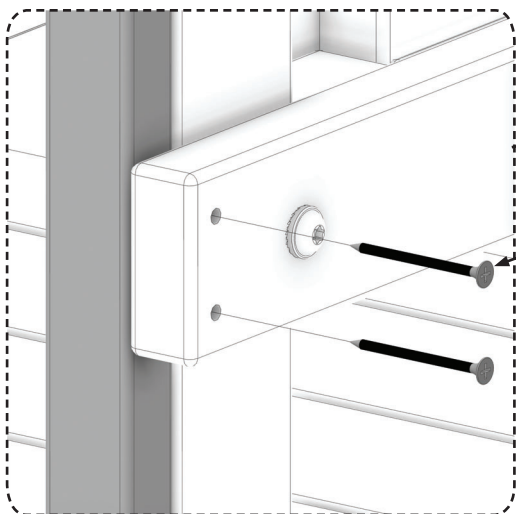
H100391 | SCREW PFH BLK
(x4) | 8x2 - H100391

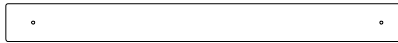
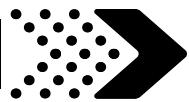


H100089 | SCREW PFH
(x6) | 8x1-3/4 - H100089



ASSEMBLY NOTE:
NOTE PILOT HOLES OF BOARDS.



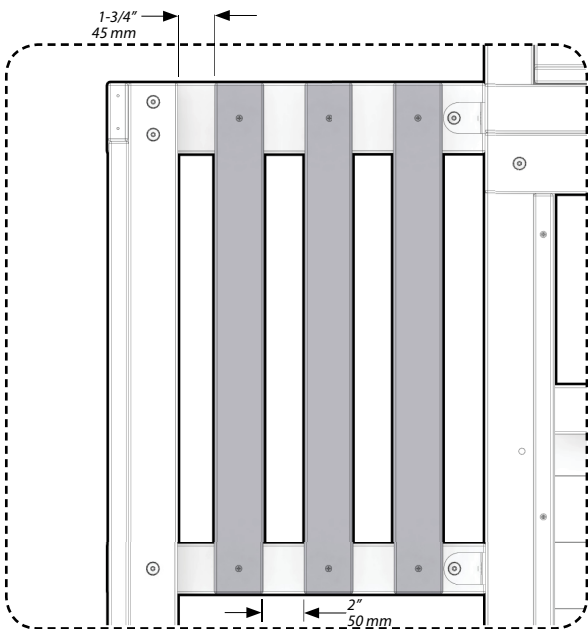
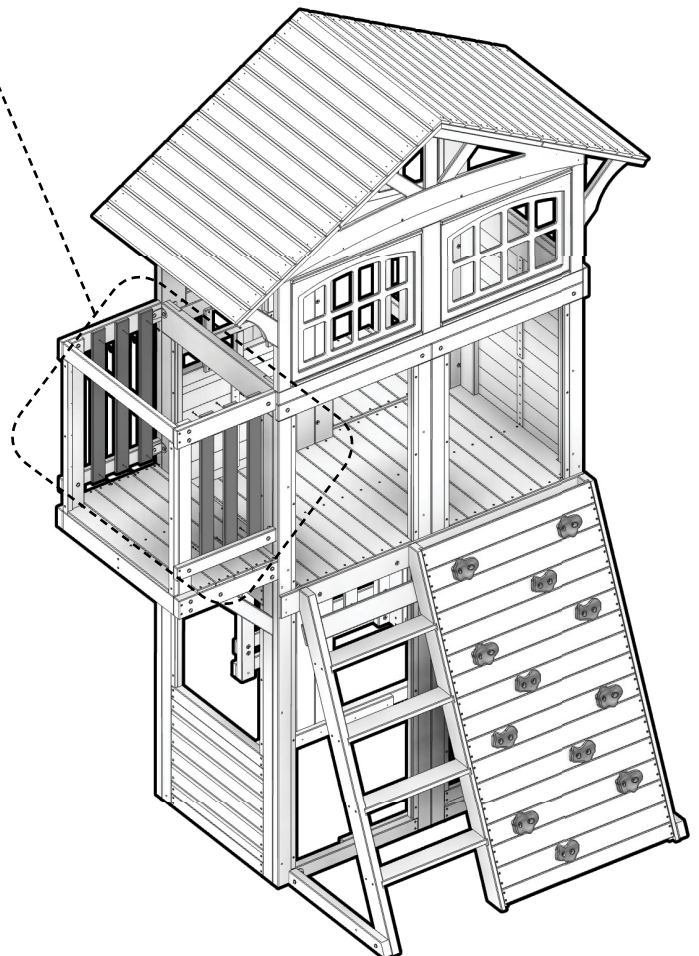
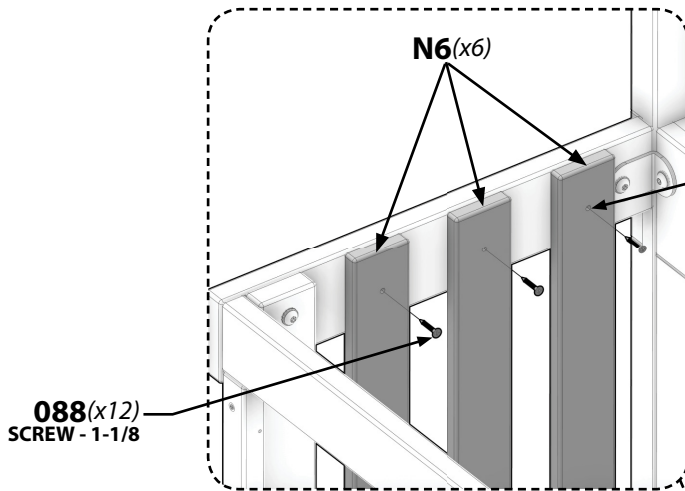


N6 | RAIL - W4L12582
(x6) | 5/8"x2 3/8"x27 1/8" (16x60x690)



H100088 | SCREW PFH
(x12) | 8x1-1/8 - H100088

 **ASSEMBLY NOTE:**
USE PILOT HOLES FOR SPACING.



PICKET PLACEMENT



Phase 7

STEP 1



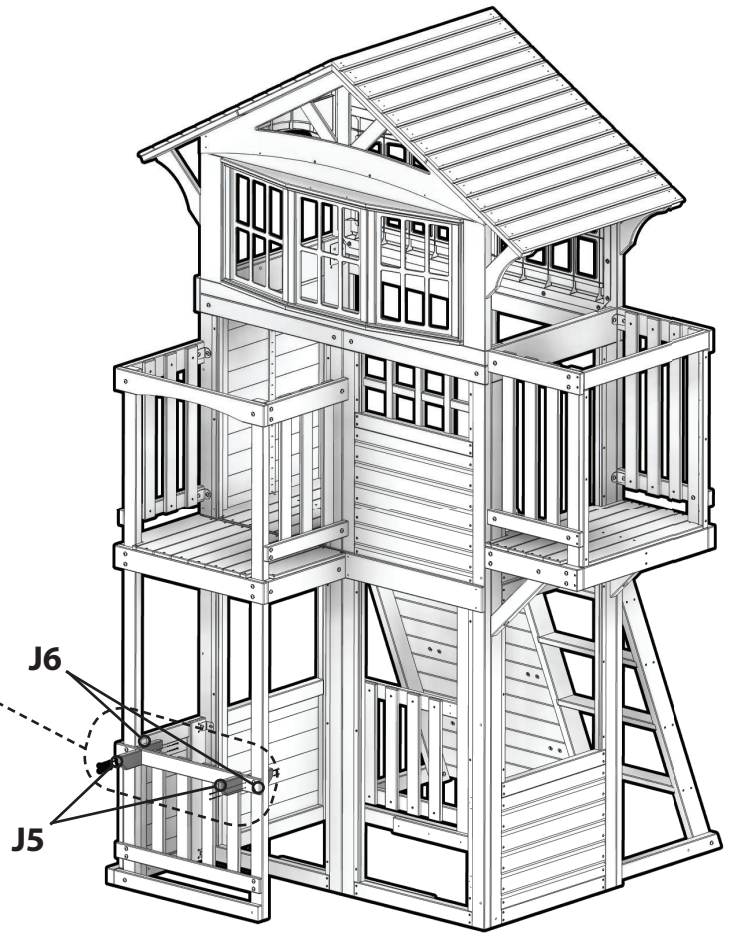
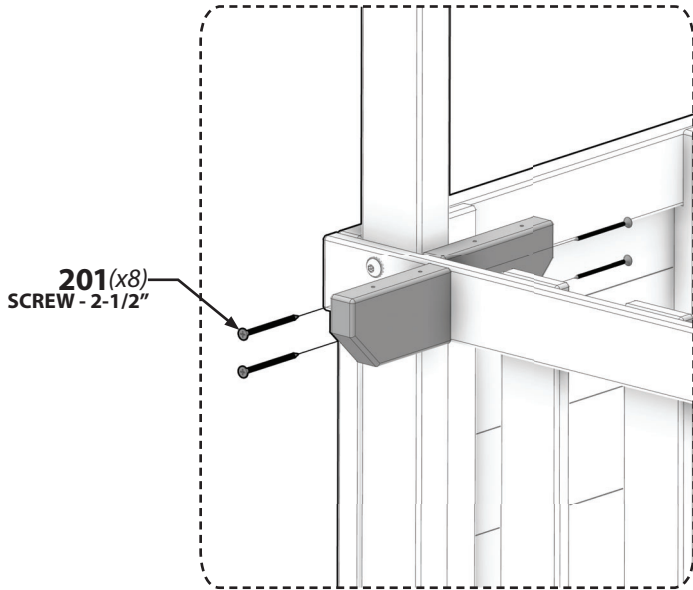
J5 | **BRACE - W4L12468**
(x2) | 1" x 2-3/8" x 4-1/2" (24 x 60 x 115)



J6 | **BRACE - W4L12469**
(x2) | 1" x 2-3/8" x 5-1/8" (24 x 60 x 130)



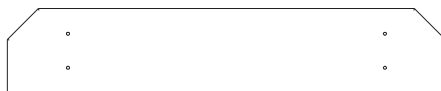
H100201 | **SCREW PFH BLK**
(x8) | 8x2-1/2 - H100201





Phase 7

STEP 2



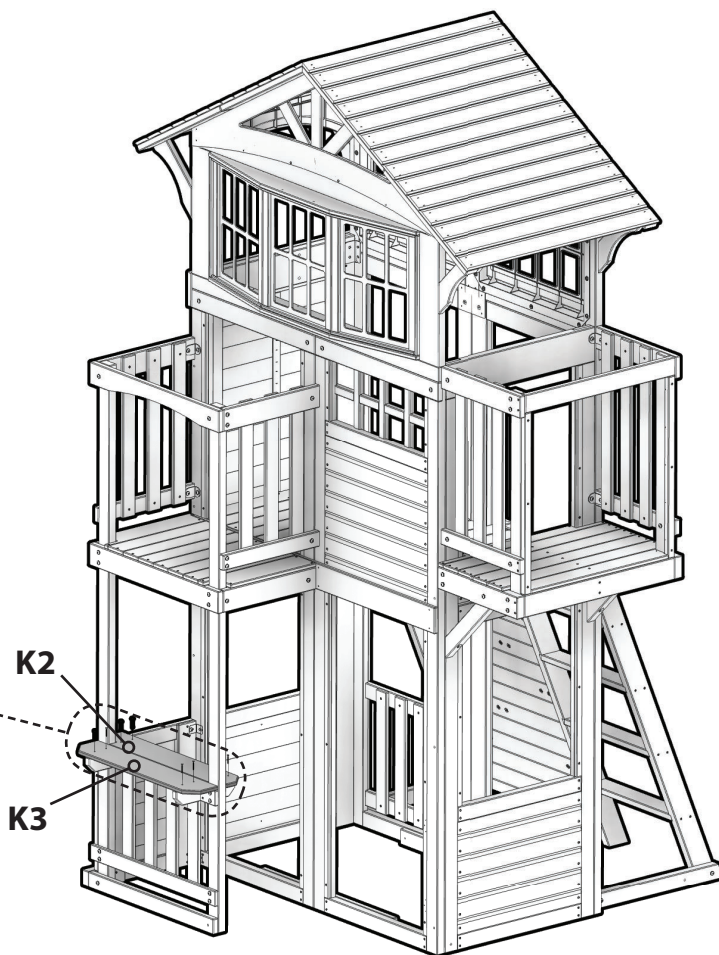
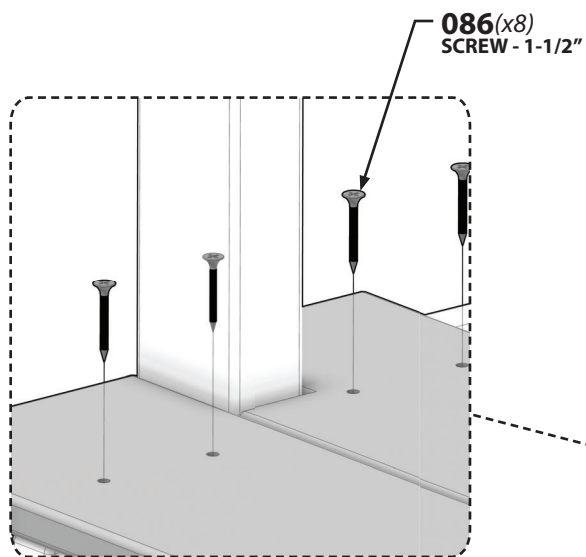
K2
(x1)

COUNTER TOP - W4L12461
5/8" x 5-1/4" x 28-3/8" (16 x 134 x 720)

K3
(x1)

COUNTER TOP - W4L12464
5/8" x 5-1/4" x 27-3/8" (16 x 134 x 696)

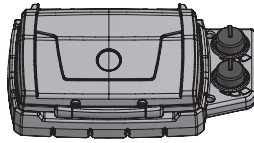
H100086 | **SCREW PFH**
(x8) | 8x1-1/2 - H100086





Phase 7

STEP 3



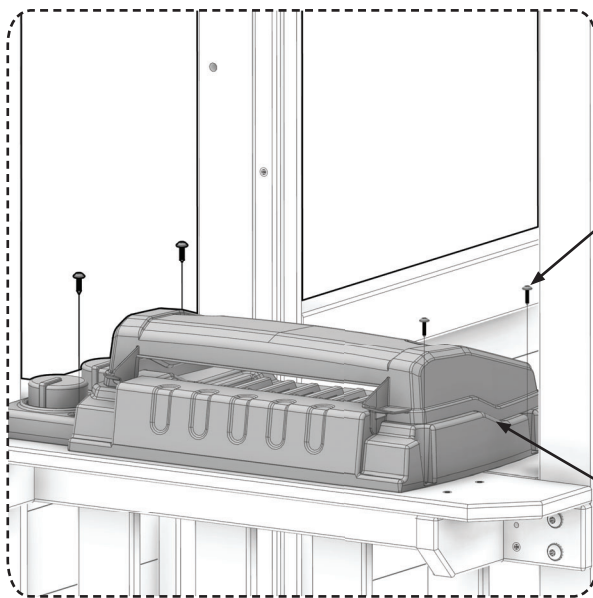
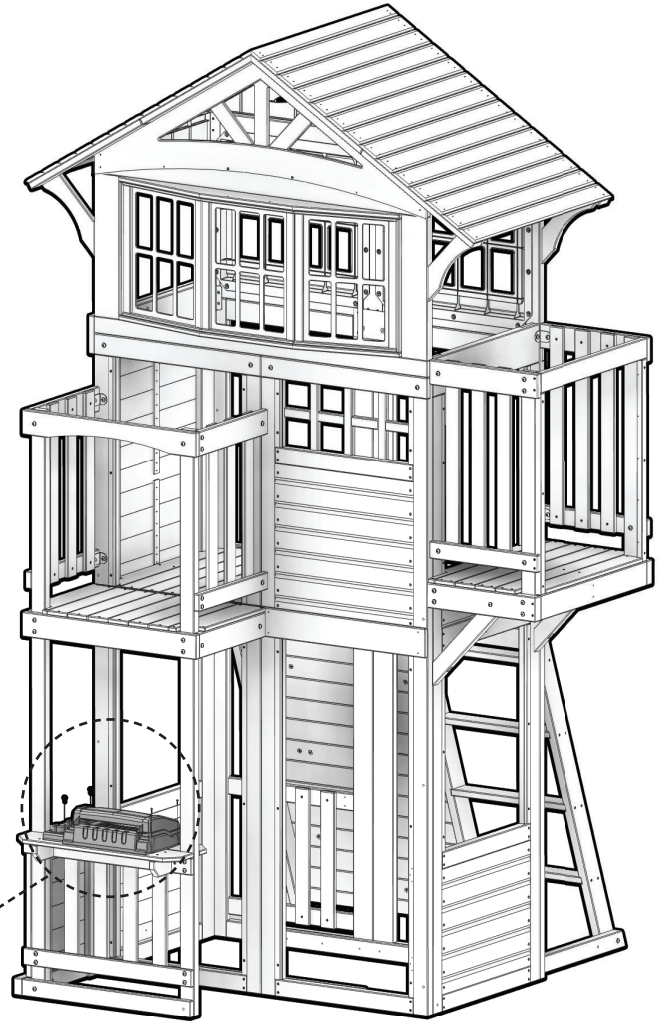
A6P00282 | **BBQ GRILL**
(x1) | A6P00282



H100202 | **SCREW PWH BLK**
(x4) | 8x5/8 - H100202



ASSEMBLY NOTE:
CENTER GRILL IN OPENING



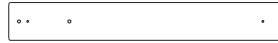
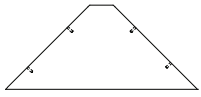
202(x4)
SCREW - 5/8"

282




Phase 7


STEP 4



G1 | ANGLE BRACE - W4L12473
(x1) | 1" x 5-1/4" x 12" (24 x 134 x 305)

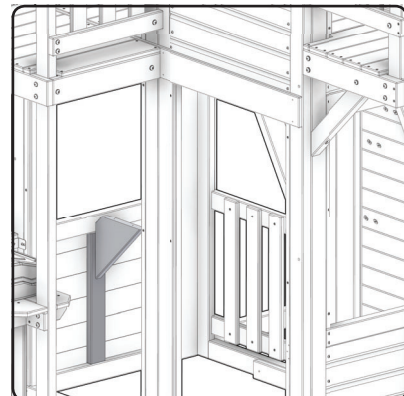
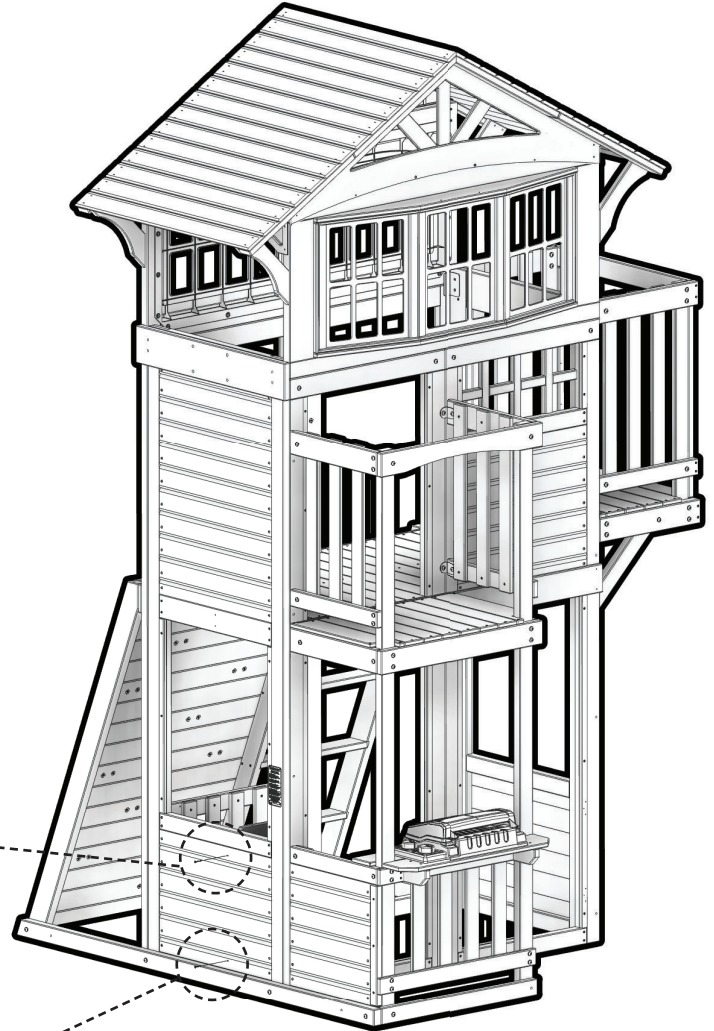
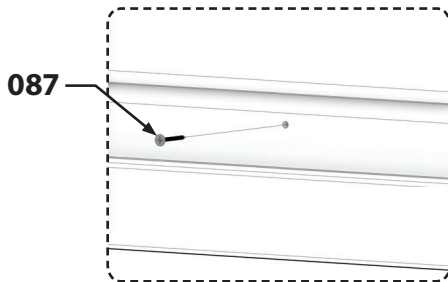
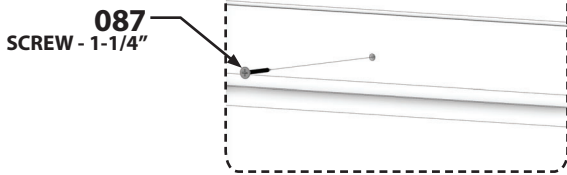
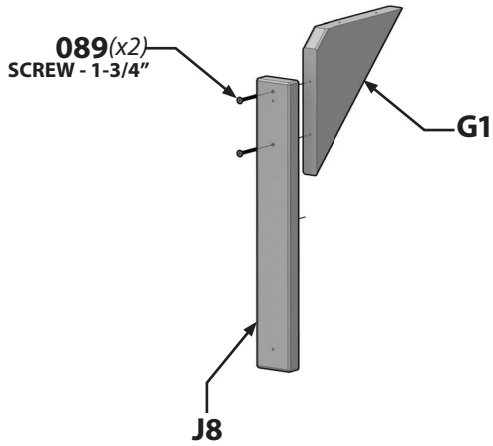
J8 | BRACE - W4L12472
(x1) | 1" x 2-3/8" x 17-1/8" (24 x 60 x 434)

 **H100087** | SCREW PFH
(x2) | 8x1-1/4" - H100087

 **H100089** | SCREW PFH
(x2) | 8x1-3/4" - H100089



ASSEMBLY NOTE:
PRE-ASSEMBLE 'J8' BRACE TO 'G1' ANGLE BRACE.

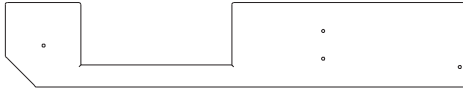


INSIDE VIEW

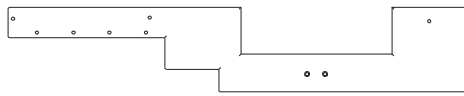


Phase 7

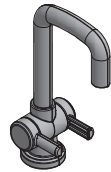
STEP 5



K4 | COUNTER TOP - W4L12465
(x1) 5/8" x 5-1/4" x 28-3/4" (16 x 134 x 730)



K5 | COUNTER TOP - W4L12466
(x1) 5/8" x 5-1/4" x 28-3/4" (16 x 134 x 730)



A6P00333 | FAUCET
(x1) A6P00333



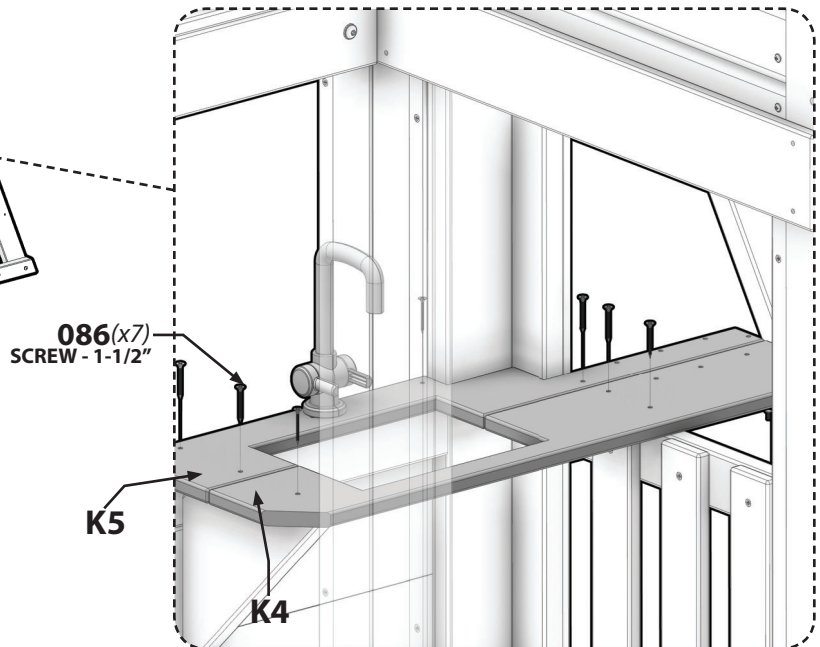
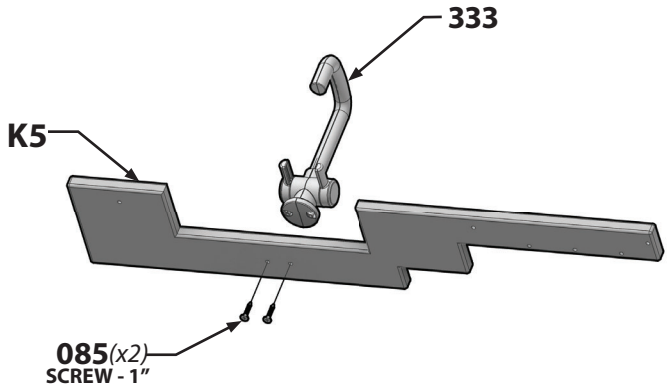
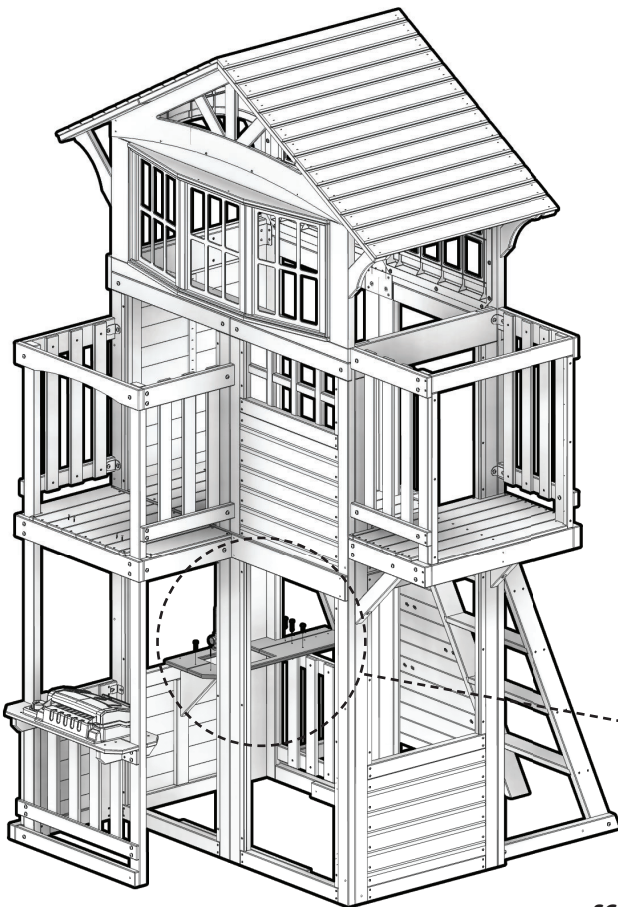
H100085 | SCREW PFH
(x2) 8x1 - H100085



H100086 | SCREW PFH
(x7) 8x1-1/2 - H100086



ASSEMBLY NOTE:
PRE-ASSEMBLE FAUCET TO 'K5' COUNTER TOP.





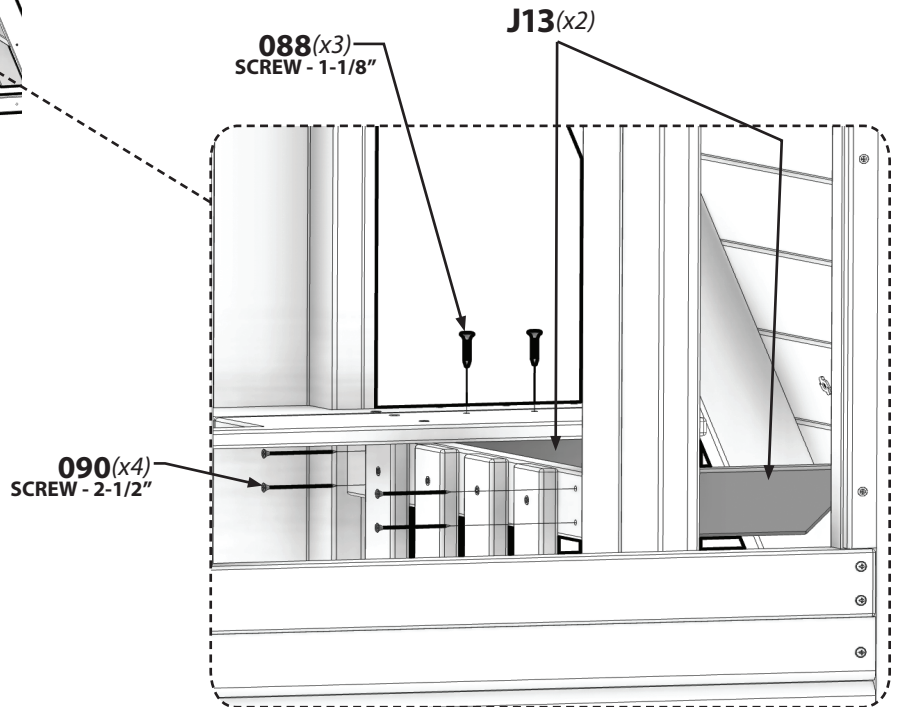
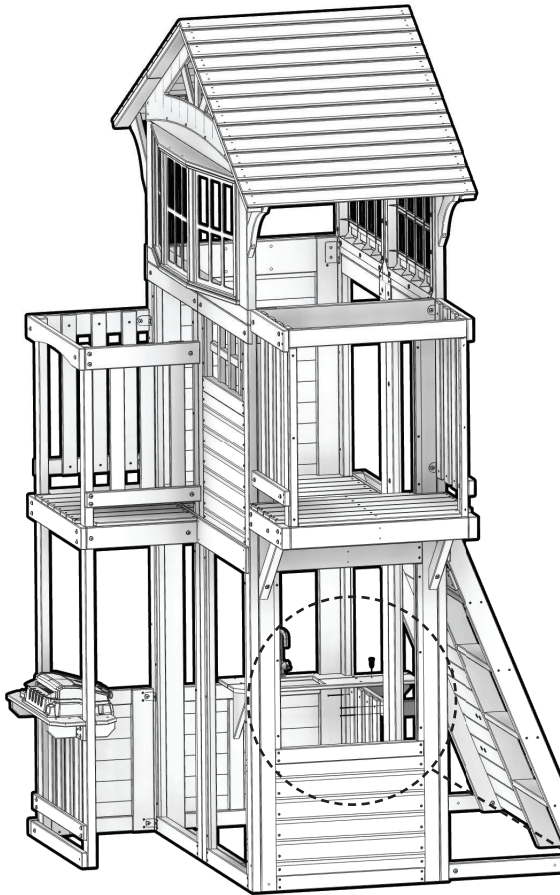
J13 | **BRACE - W4L12474**
(x2) | 1" x 2-3/8" x 7-7/8" (24x60x200)

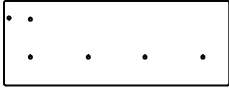


H100088 | **SCREW PFH**
(x3) | 8x1-1/8 - H100088

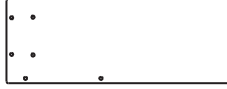


H100090 | **SCREW PFH**
(x4) | 8x2-1/2 - H100090





K6
(x1) | **COUNTERTOP - W4L12467**
5/8" x 5-1/4" x 14-1/8" (16 x 134 x 358)



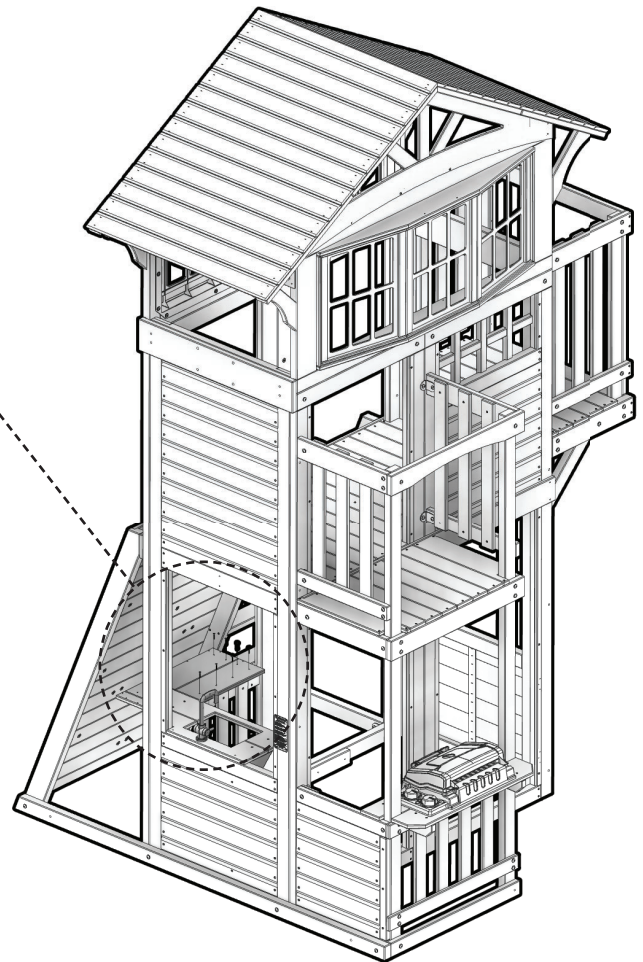
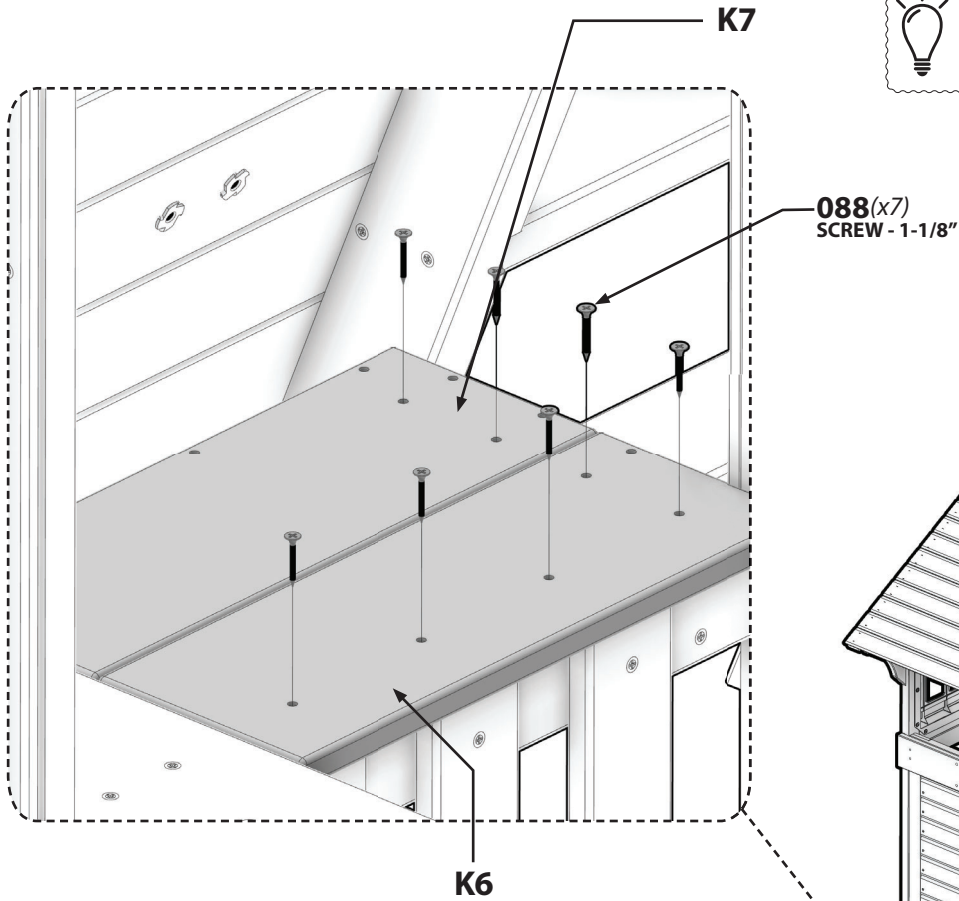
K7
(x1) | **COUNTERTOP - W4L12475**
5/8" x 5-1/4" x 14-1/8" (16 x 134 x 358)



H100088 | **SCREW PFH**
(x7) | 8x1-1/8 - H100088



ASSEMBLY NOTE:
MAKE BOARDS "K6" AND "K7" FLUSH.

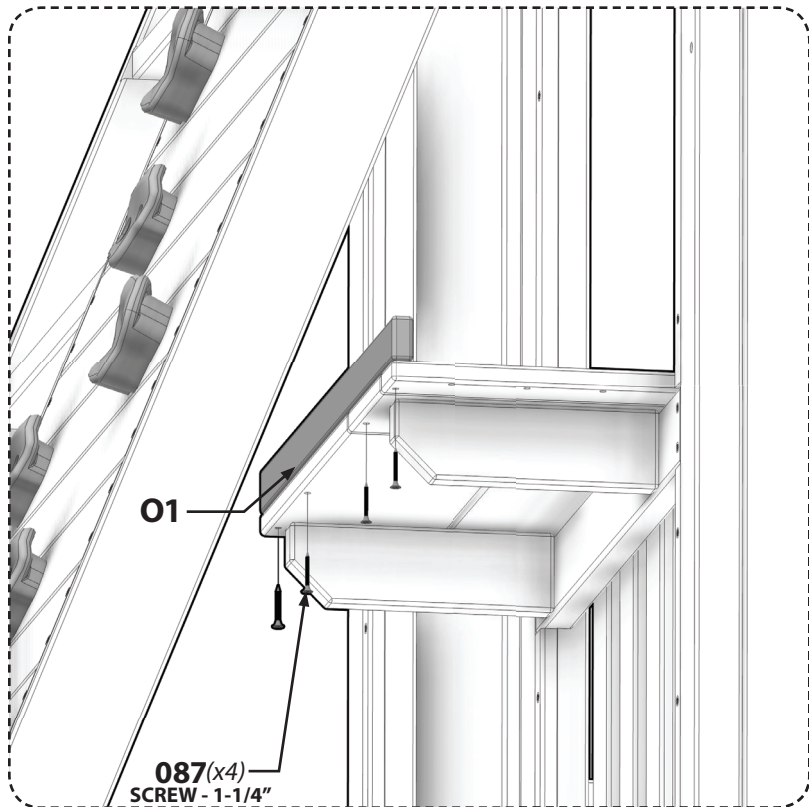




O1 | TRIM - W4L12476
(x1) | 5/8" x 1-3/8" x 21-1/4" (16 x 34 x 540)

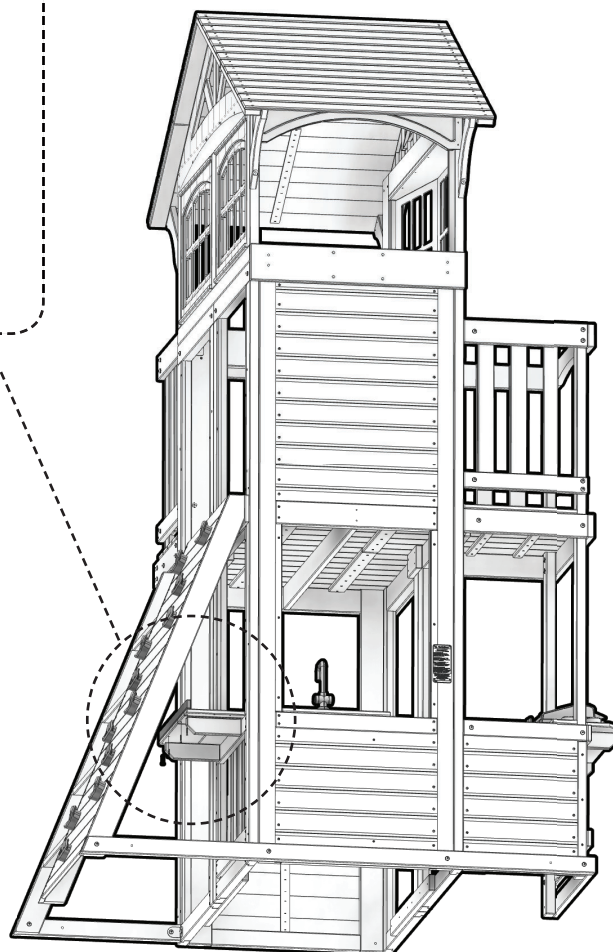


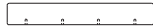
H100087 | SCREW PFH
(x4) | 8x1-1/4 - H100087



O1

087(x4)
SCREW - 1-1/4"

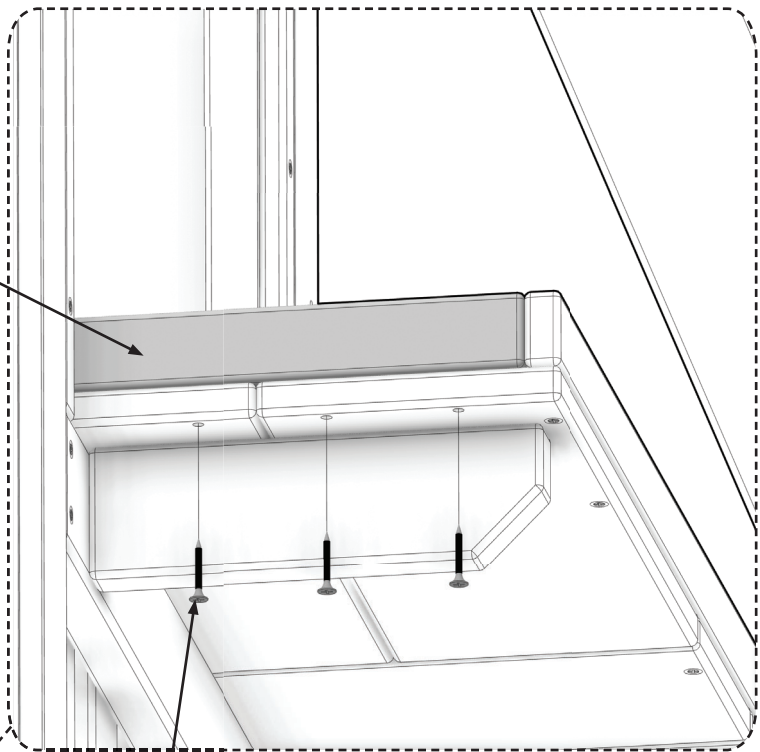
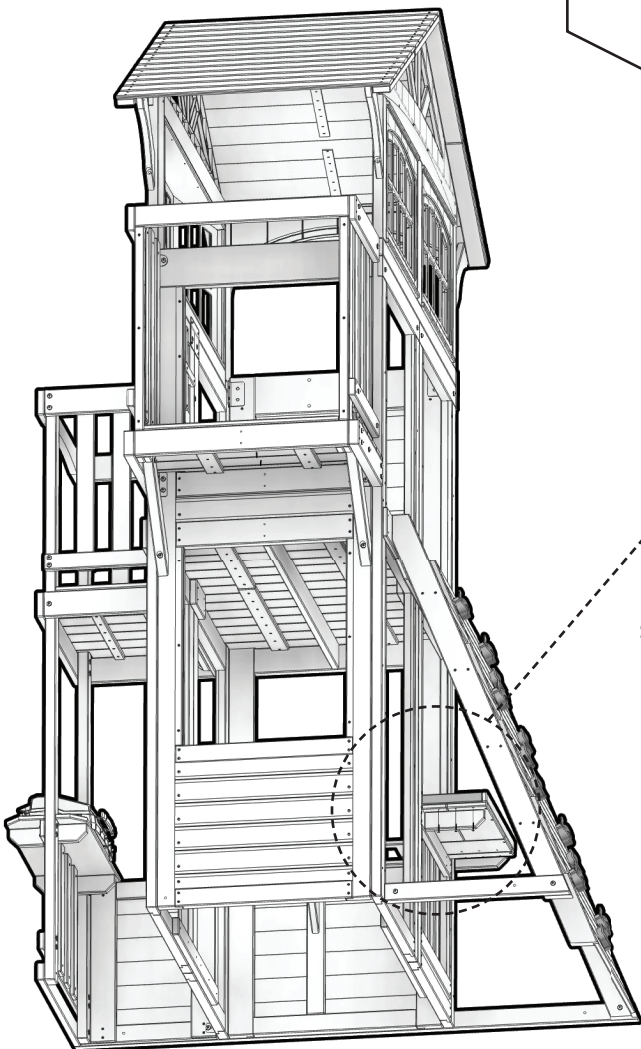




O2 | TRIM - W4L12477
(x1) | 5/8" x 1-3/8" x 9-1/8" (16 x 34 x 233)

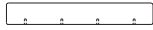


H100087 | SCREW PFH
(x3) | 8x1-1/4 - H100087

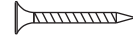


O2

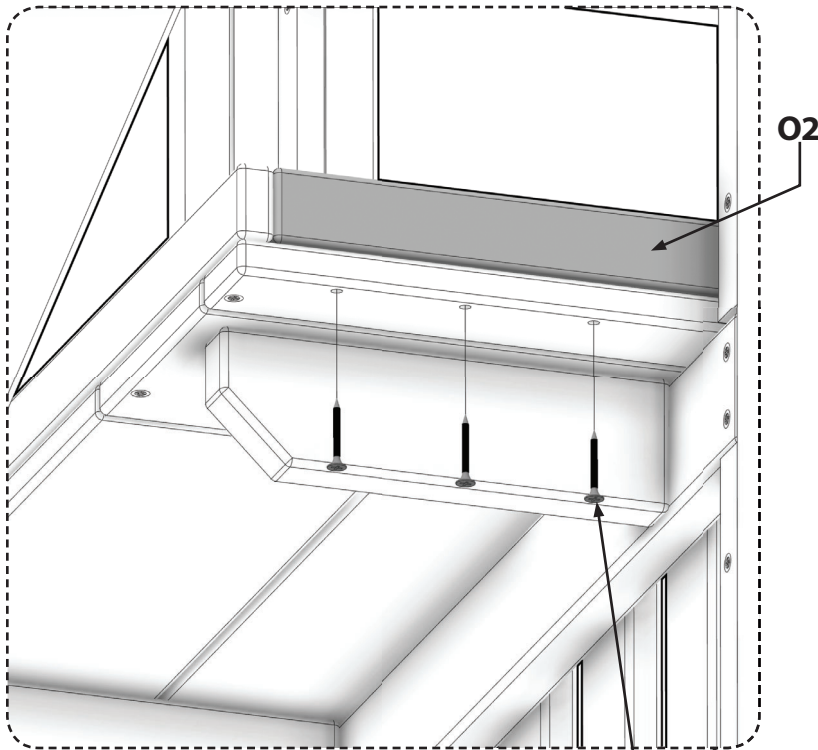
087(x3)
SCREW - 1-1/4"



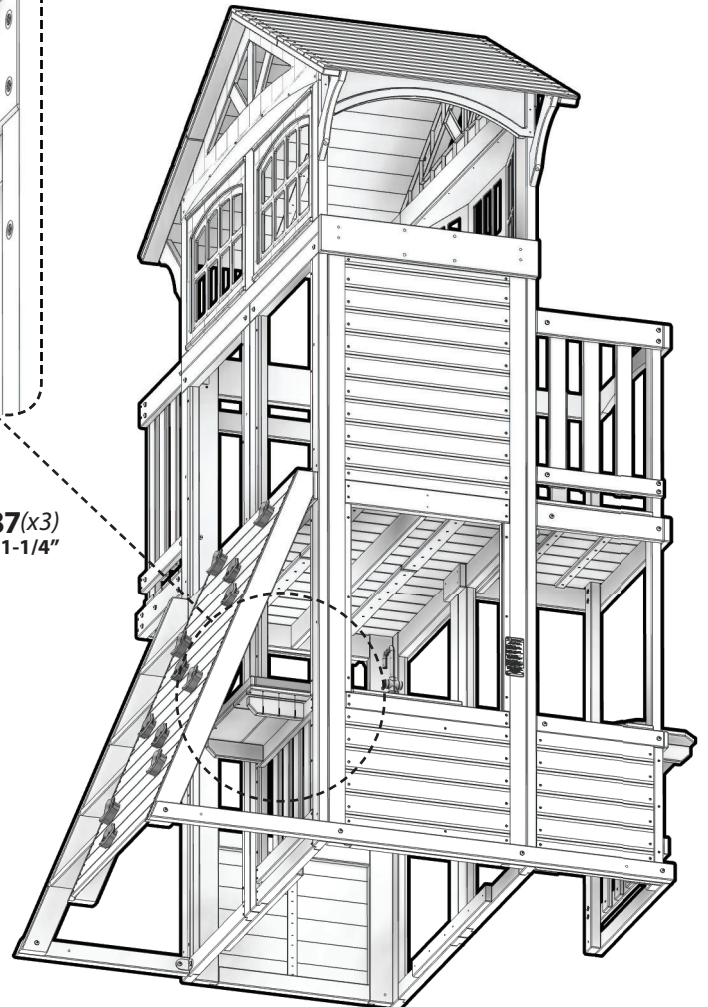
O2 | TRIM - W4L12477
(x1) | 5/8" x 1-3/8" x 9-1/8" (16 x 34 x 233)



H100087 | SCREW PFH
(x3) | 8x1-1/4 - H100087



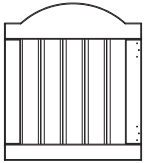
087(x3)
SCREW - 1-1/4"



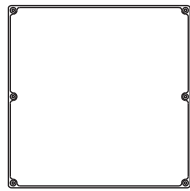


Phase 7

STEP 11



DP1 | **DOOR PANEL - W2A02773**
(x1) 1-1/16" x 20" x 22-15/16" (27 x 508 x 582)



A6P00323 | **CHALK BOARD**
(x1) A6P00323



A100327 | **HINGE, SPRING LOADED**
(x1) A100327



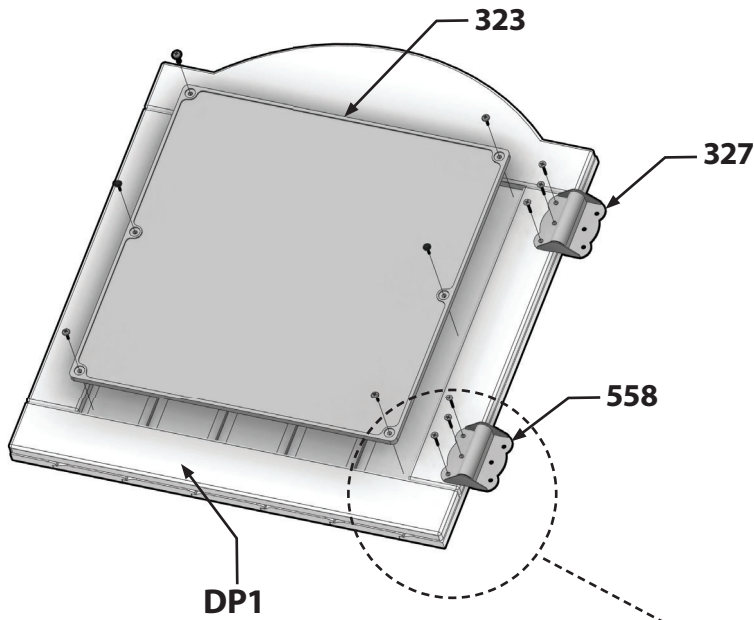
A4M00558 | **HINGE, NON-SPRING LOADED**
(x1) A4M00558



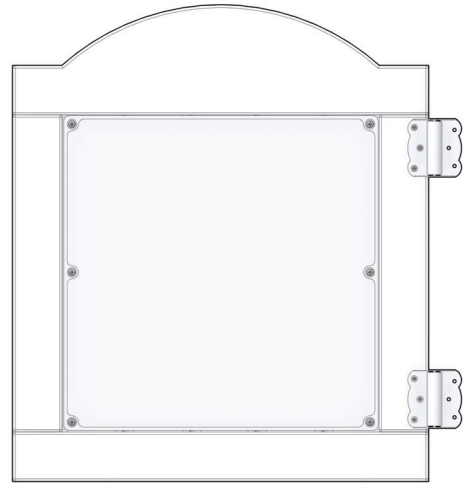
H100202 | **SCREW PWH BLK**
(x6) 8x5/8 - H100202



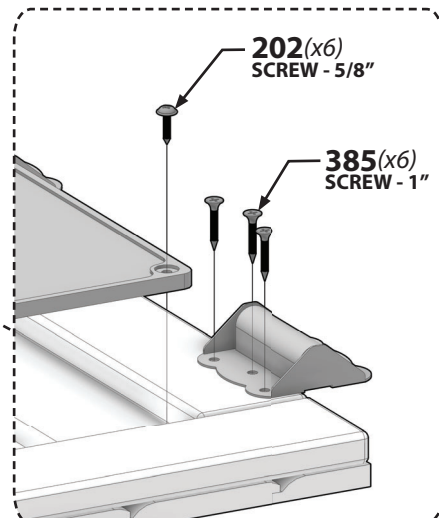
H100385 | **SCREW PFH BLK**
(x6) 8x1 - H100385

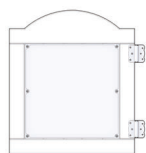


REFERENCE VIEW



DOOR ASSEMBLY

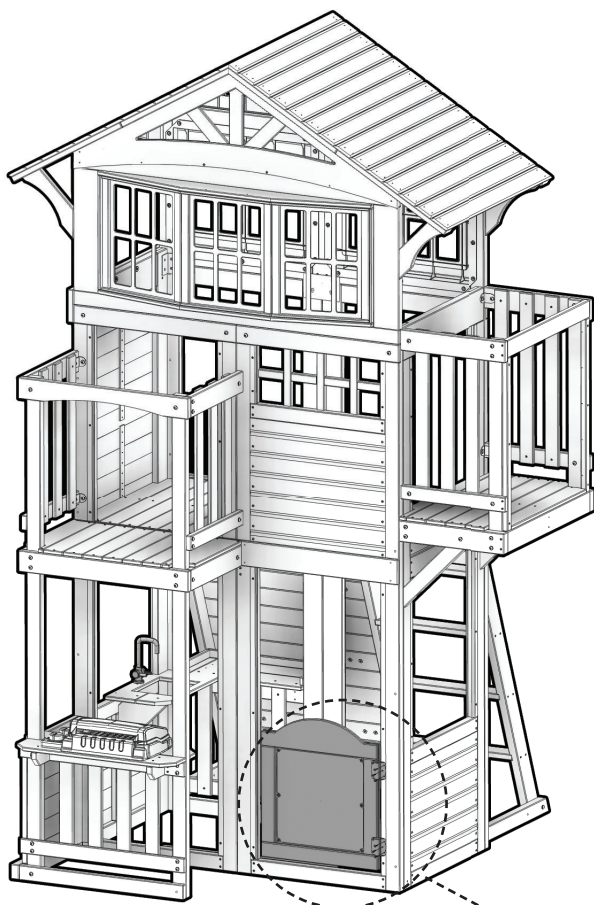




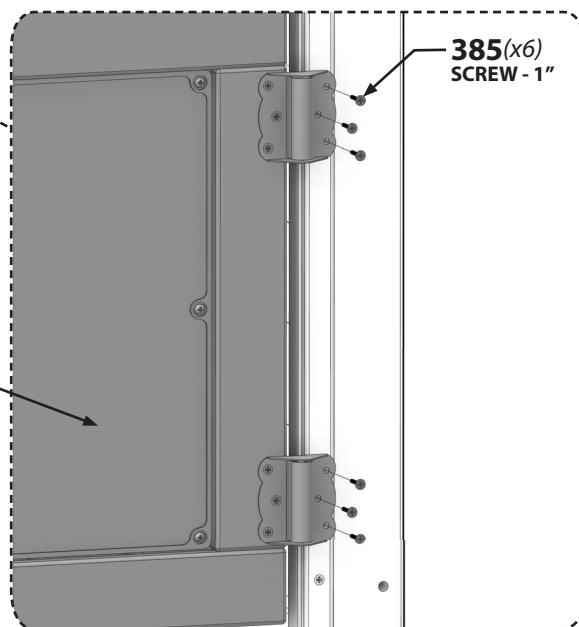
DOOR ASSEMBLY



H100385 | **SCREW PFH BLK**
(x6) | 8x1 - H100385



DOOR ASSEMBLY

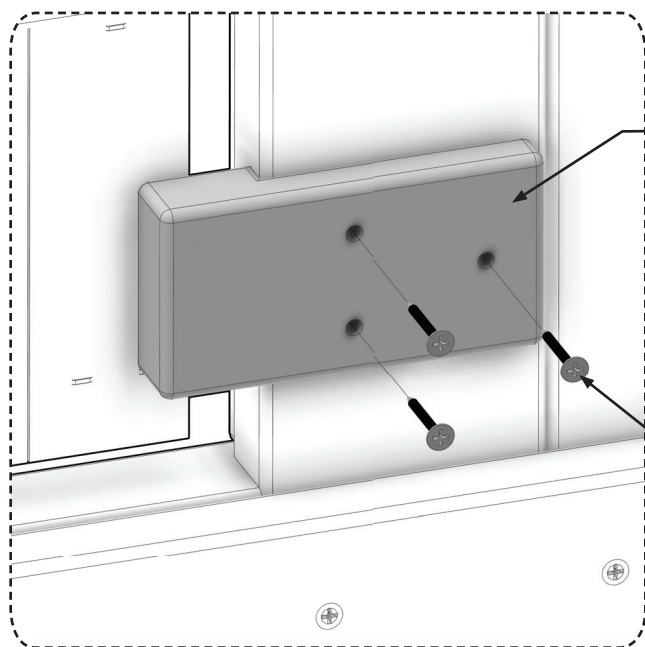
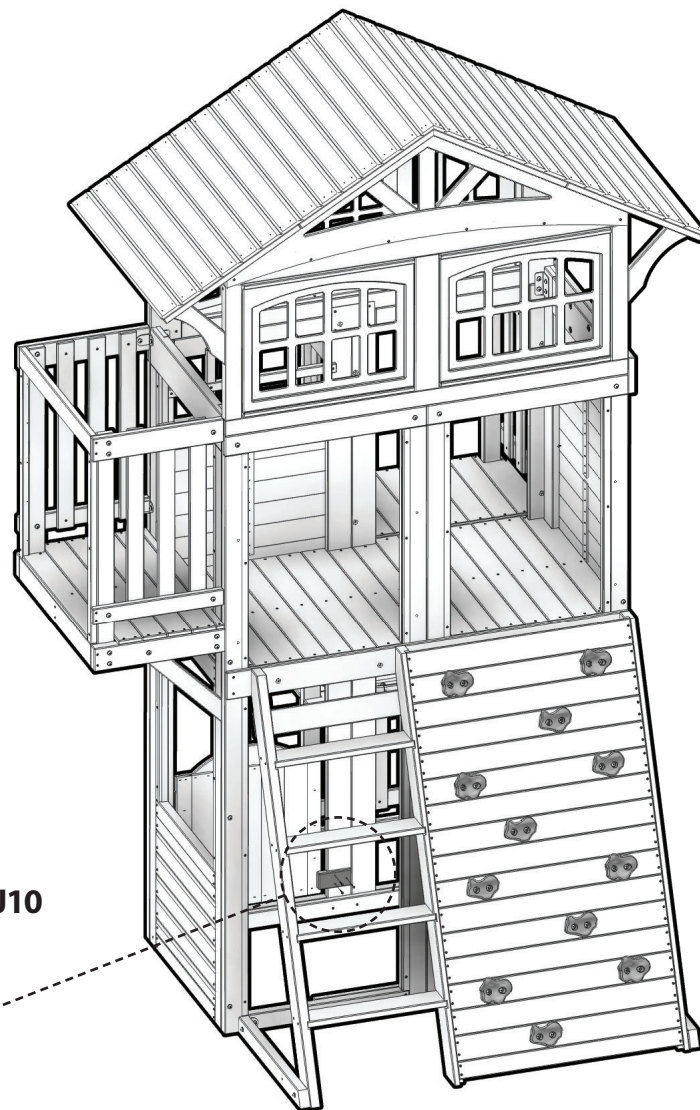




J10 | **DOOR BLOCK - W4L12480**
(x1) | 1"x2-3/8"x4-1/2" (24x60x115)

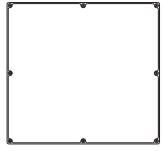


H100088 | **SCREW PFH**
(x3) | 8x1-1/8 - H100088



J10

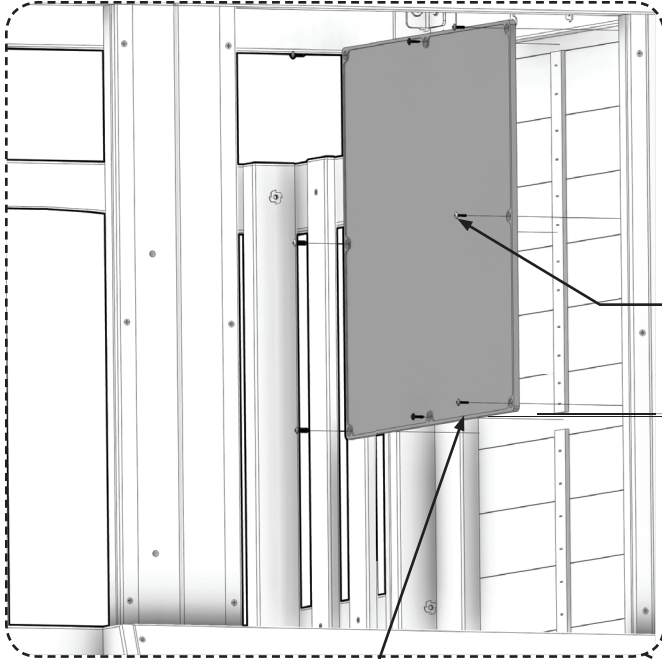
088(x3)
SCREW - 1-1/8"



A6P00324 | CHALK BOARD LARGE
(x1) | A6P00324



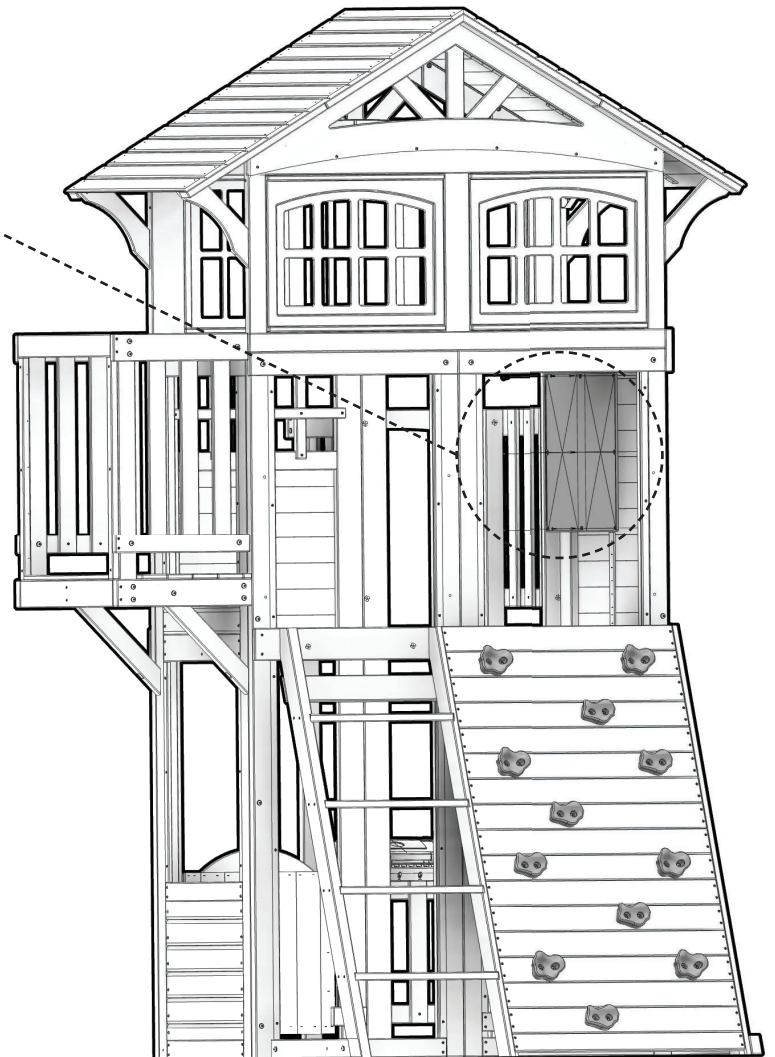
H100202 | SCREW PWH BLK
(x8) | 8x5/8 - H100202



202(x8)
SCREW - 5/8"

3/4" OR 19 mm

324





A4M00554 | BELL ASSEMBLY
(x1) A4M00554

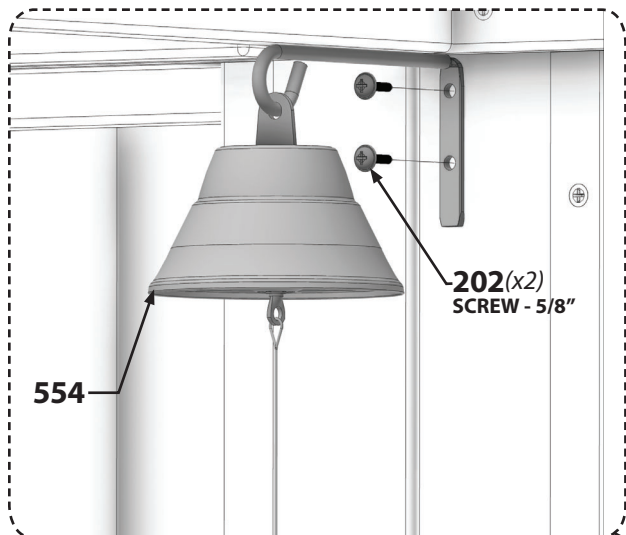


H100202 | SCREW PWH BLK
(x2) 8x5/8 - H100202



ASSEMBLY NOTE:

BELL SHOULD BE PUSHED UP UNDER BOARD "H6".





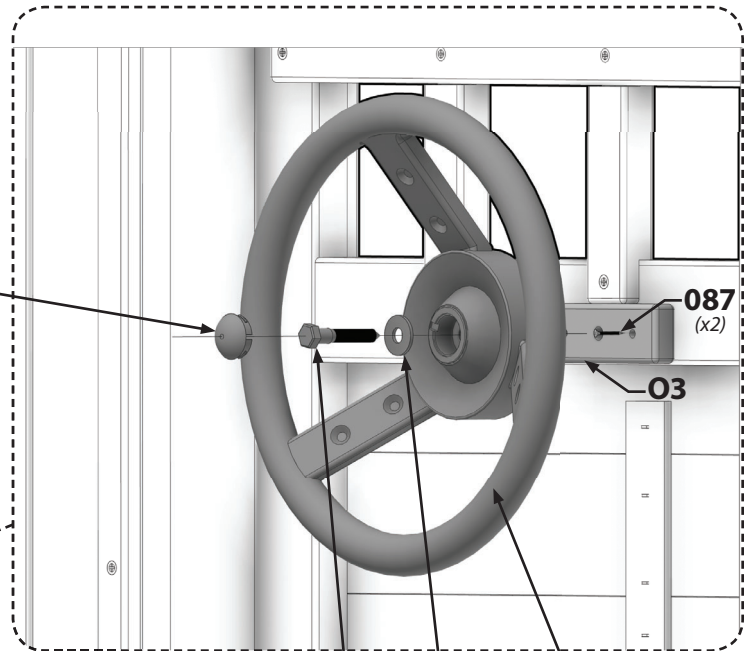
O3 | **BLOCK - W4L12603**
 (x1) | 5/8"x1 3/8"x3 7/8" (16x34x100)



A100107 | **STEERING WHEEL KIT**
 (x1) | A100107



H100087 | **SCREW PFH**
 (x2) | 8x1-1/4 - H100087



CENTER CAP

087
(x2)

O3

LAG SCREW HEX 5/16x2
(INCLUDED IN KIT)

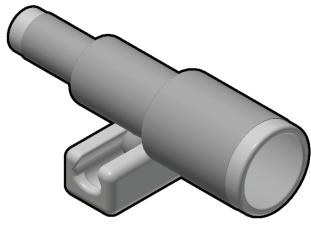
107

WASHER FLAT 8x12
(INCLUDED IN KIT)



Phase 7

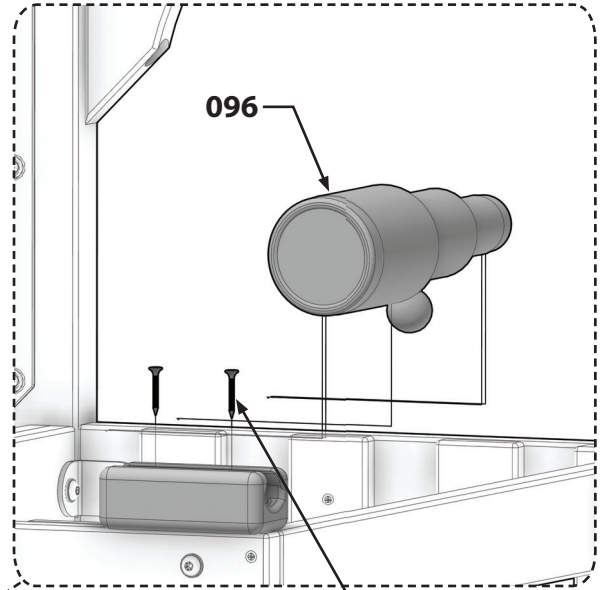
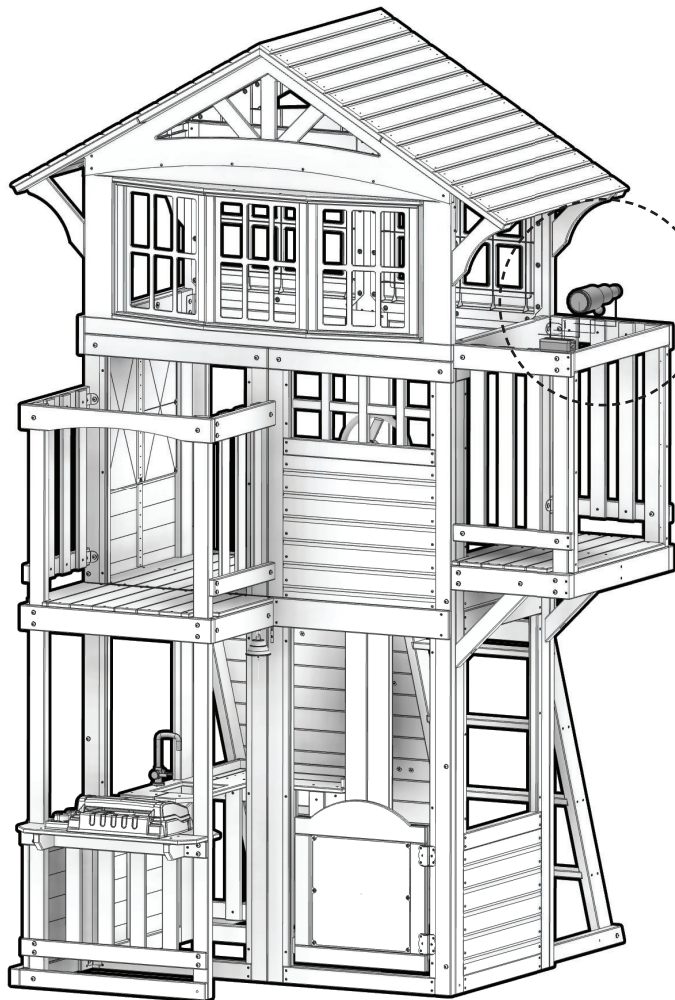
STEP 17



A6P00096 | TELESCOPE
(x1) | A6P00096

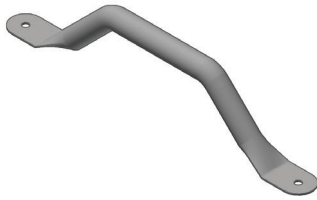


H100087 | SCREW PFH
(x2) | 8x1-1/4 - H100087

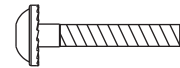


096

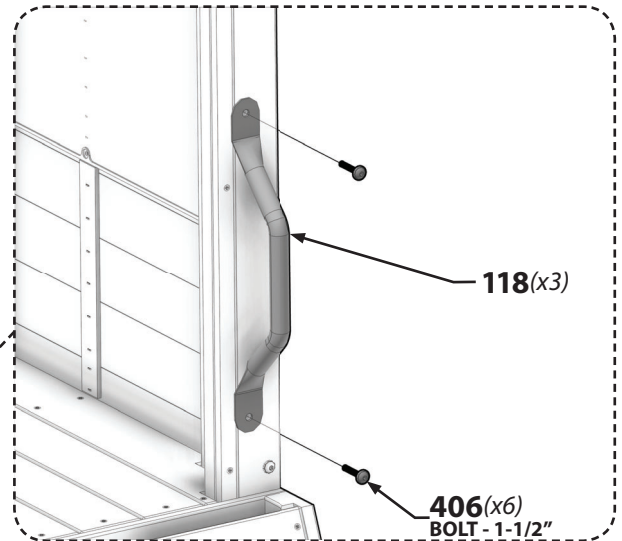
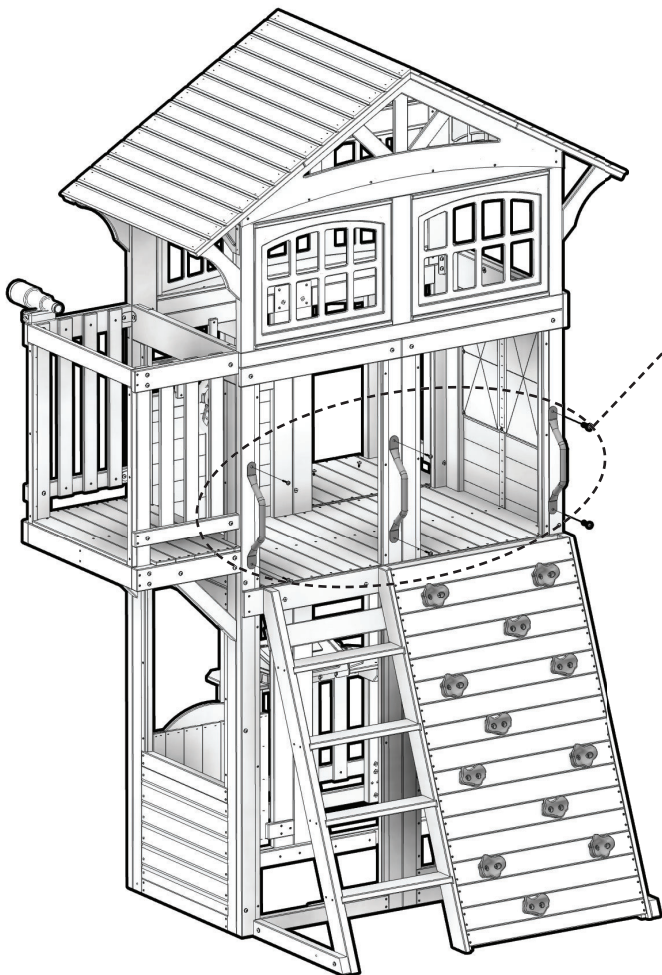
087(x2)
SCREW - 1-1/4"

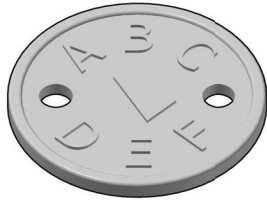


A100118 | **HAND GRIP**
(x3) | A100118



H100406 | **BOLT WH BLK**
(x6) | 1/4x1-1/2-H100406

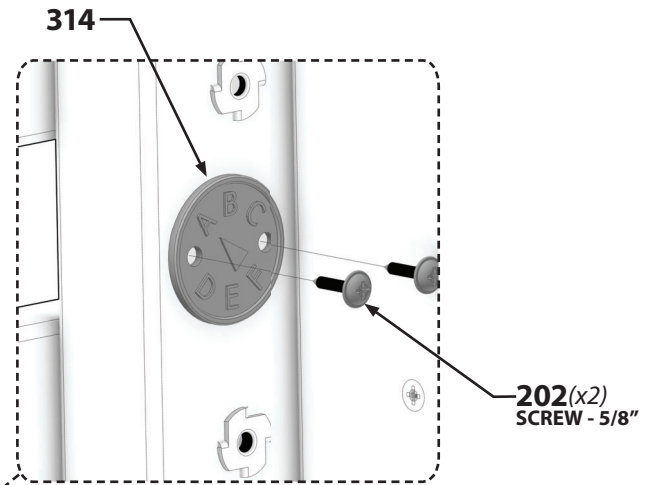
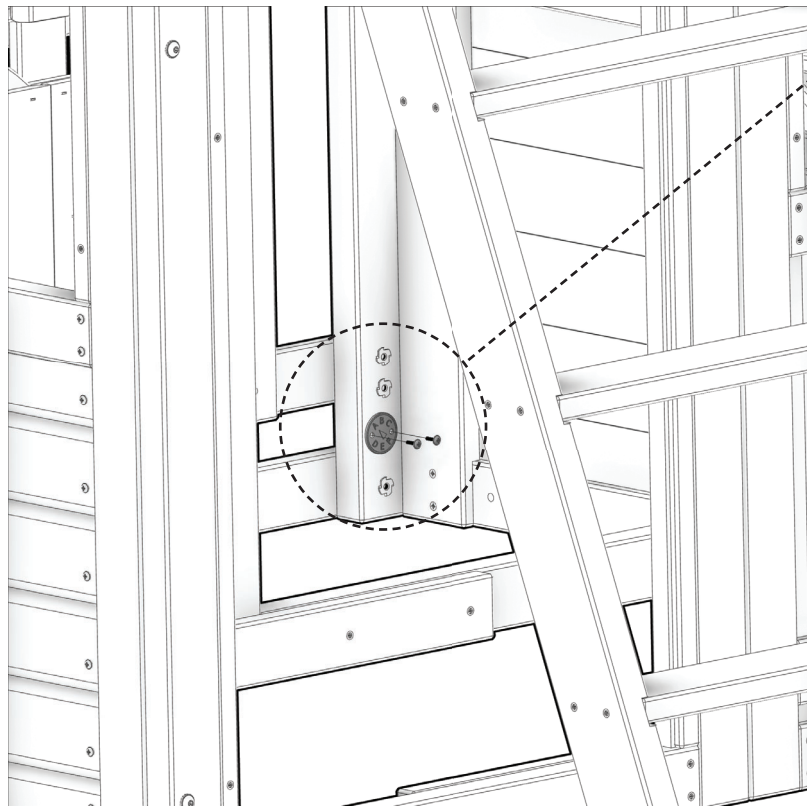


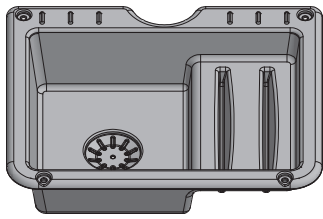


A100314 | 'A' REVISIONTAG
(x1) | A100314



H100202 | SCREW PWH BLK
(x2) | 8x5/8 - H100202

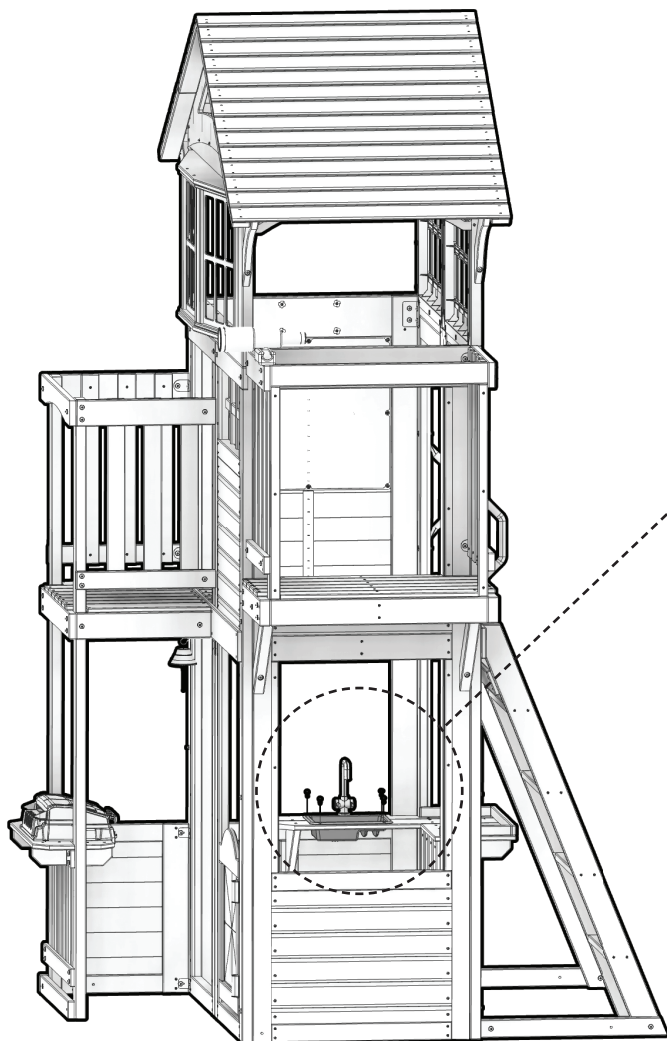




A6P00332 | PREMIUM SINK
(x1) A6P00332

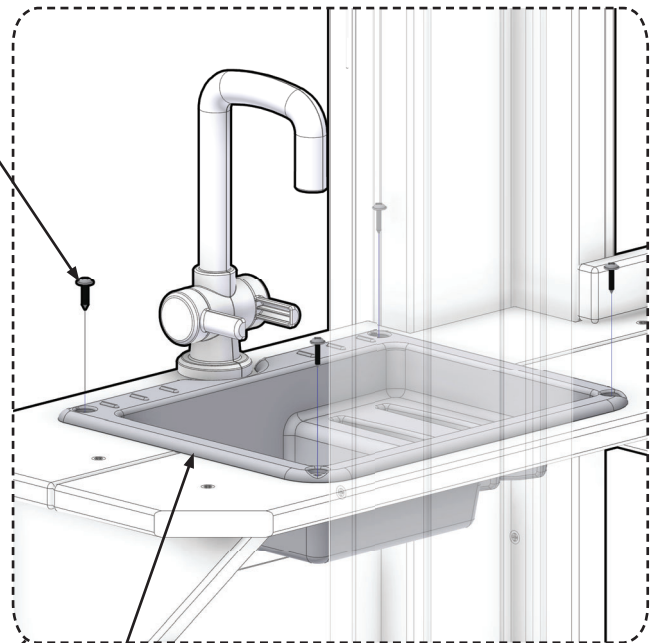


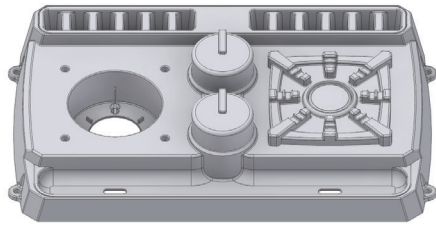
H100202 | SCREW PWH BLK
(x4) 8x5/8 - H100202



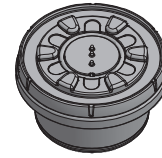
202(x4)
BOLT - 5/8"

332





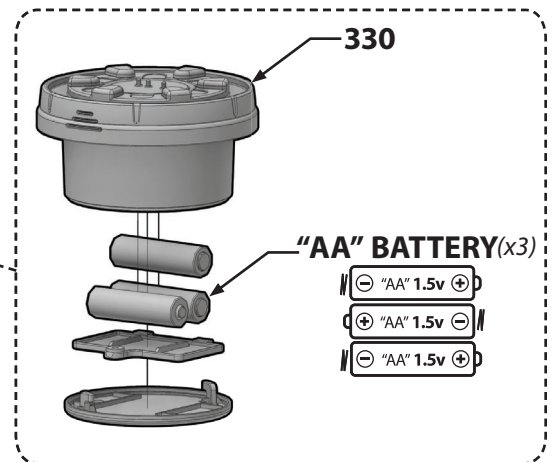
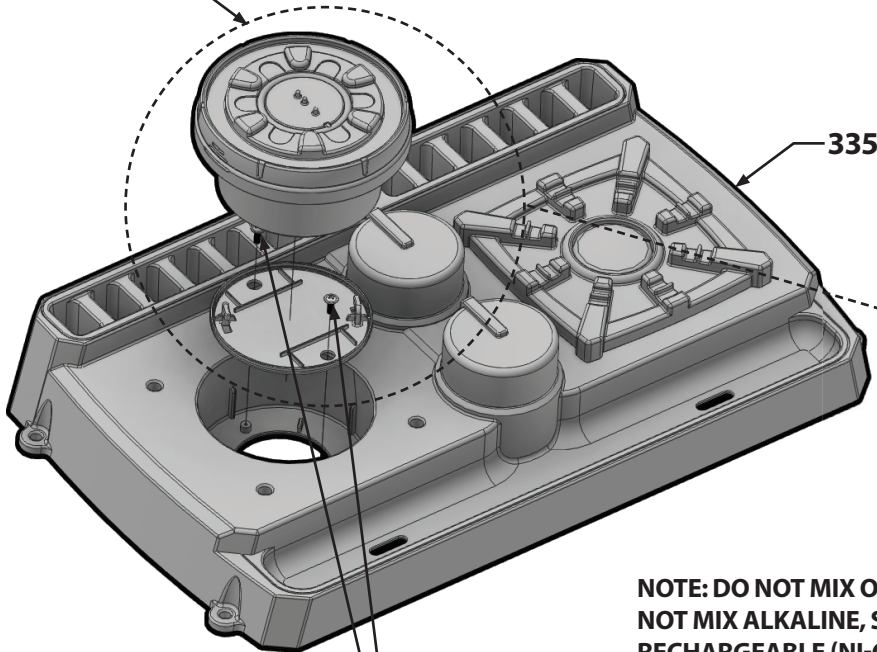
A6P00335 | STOVE BASE
(x1) A6P00335



A6P00330 | INDUCTIVE BURNER KIT
(x1) A6P00330

NOTE: THIS DEVICE COMPLIES WITH PART 15 OF THE FCC RULES. OPERATION IS SUBJECT TO THE FOLLOWING TWO CONDITIONS: (1) THIS DEVICE MAY NOT CAUSE HARMFUL INTERFERENCE (2) THIS DEVICE MUST ACCEPT ANY INTERFERENCE RECEIVED, INCLUDING INTERFERENCE THAT MAY CAUSE UNDESIRED OPERATION.

**TWIST TO LOCK
IN PLACE.**

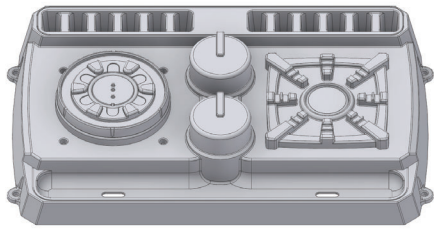


"AA" BATTERY(x3)



NOTE: DO NOT MIX OLD AND NEW BATTERIES AND DO NOT MIX ALKALINE, STANDARD (CARBON-ZINC) OR RECHARGEABLE (NI-CAD, NI-MH, ETC.) BATTERIES.

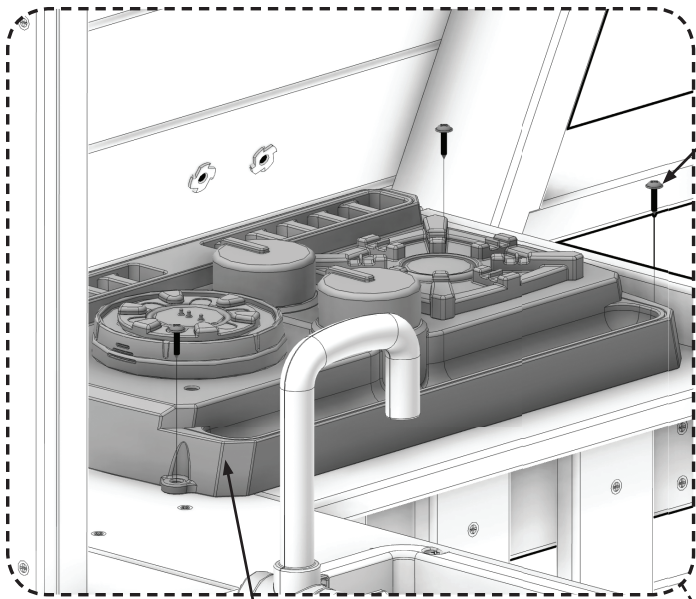
USE THE #4X5/8" SCREWS INCLUDED WITH STOVE KIT TO ASSEMBLE BOTTOM PLATE OF ROUND INDUCTION BURNER..



STOVE ASSEMBLY

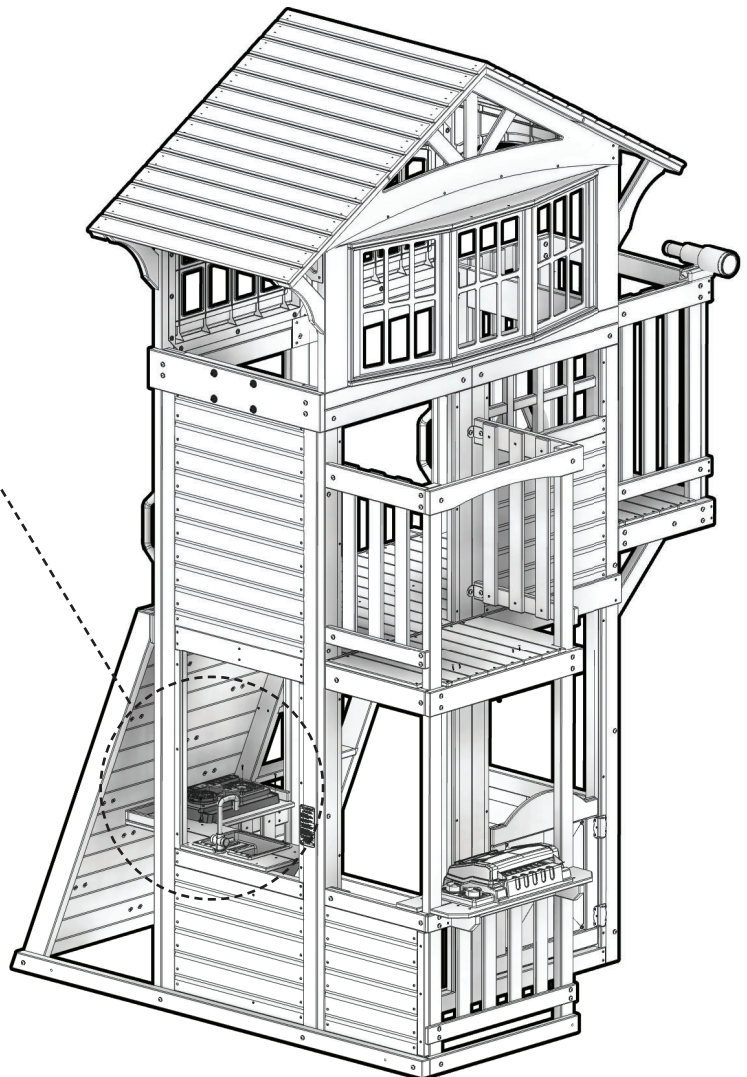


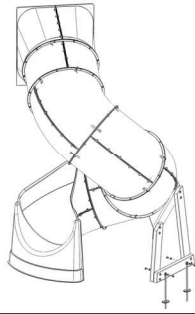
H100202 | **SCREW PWH BLK**
(x4) | 8x5/8 - H100202



202(x4)
BOLT - 5/8"

STOVE ASSEMBLY





**9198067
TUBE SLIDE ASSEMBLY**

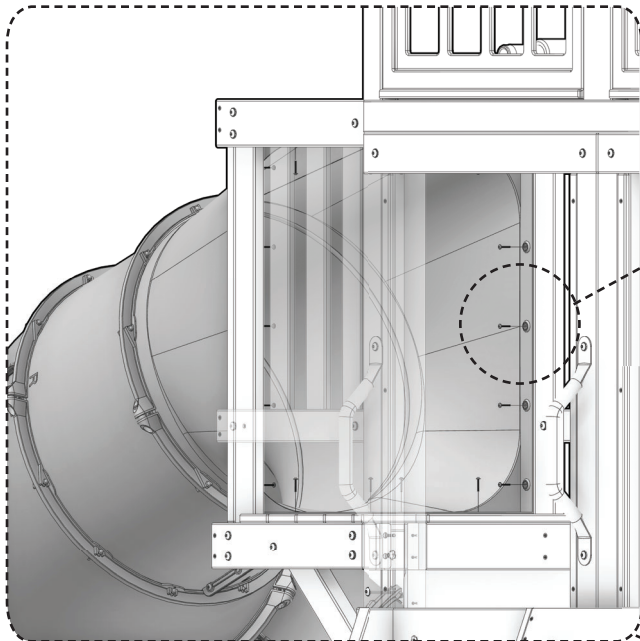


H100785 | **SCREW PWH**
(x18) | 8x1 - H100785



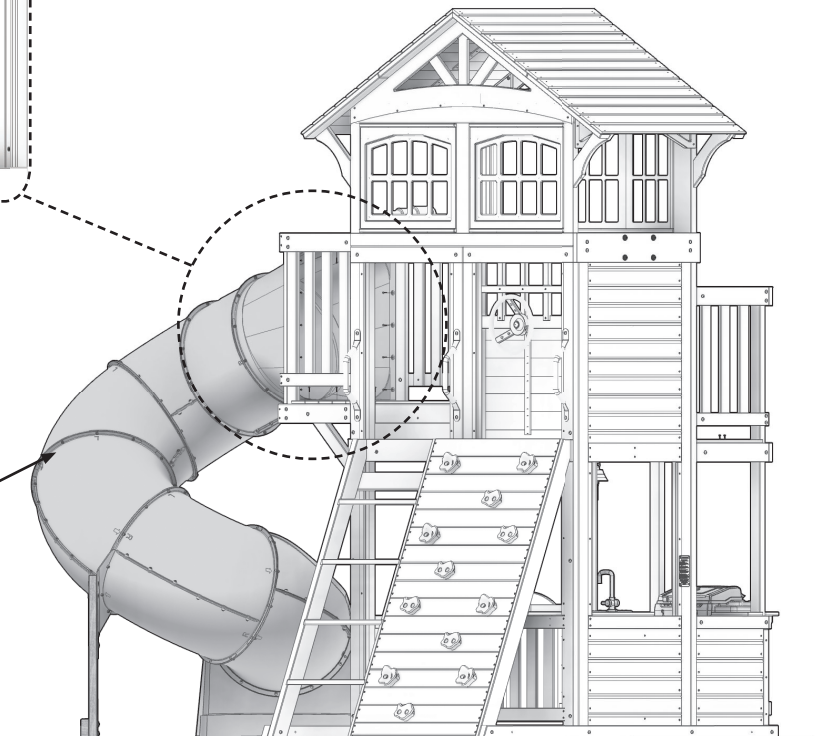
ASSEMBLY NOTE:

FOR ASSEMBLY OF THE TUBE SLIDE, PLEASE REFER TO RIGHT EXIT TUBE SLIDE MANUAL.



**785(x18)
SCREW-1"**

**9198067
TUBE SLIDE ASSEMBLY**



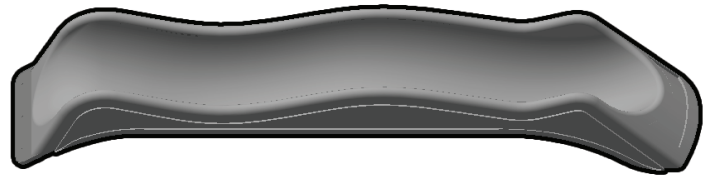


Phase 8

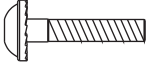
STEP 1



O70 | **SLIDE MOUNTING BOARD - W102822**
(x1) 5/8" x 1-3/8" x 20-3/8" (16 x 34 x 517)



A100287 | **SLIDE VF 10FT**
(x1) A100287



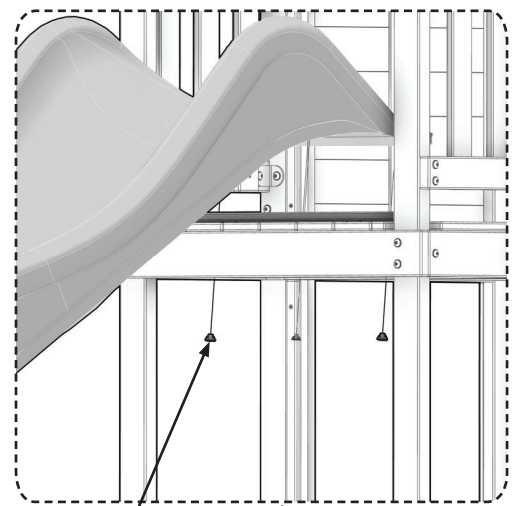
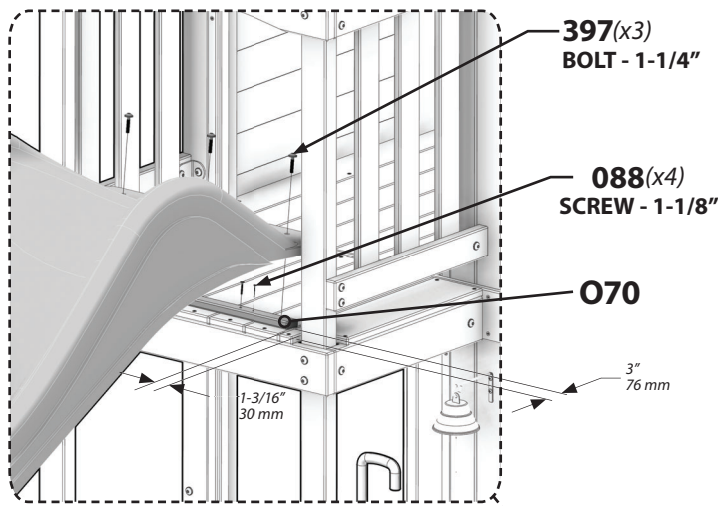
H100397 | **BOLT WH BLK**
(x3) 1/4x1-1/4 - H100397



H100088 | **SCREW PFH**
(x4) 8x1-1/8 - H100088

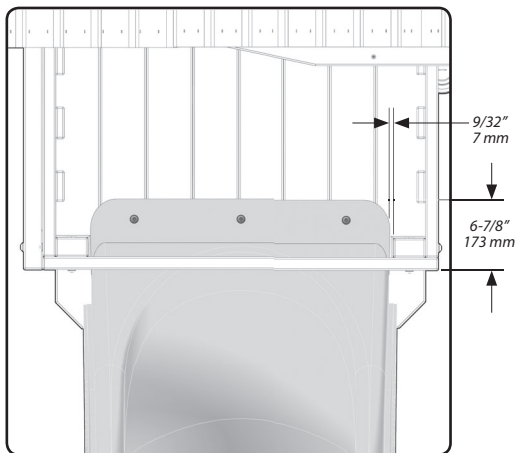


H100398 | **T-NUT BLK**
(x3) 1/4 - H100398

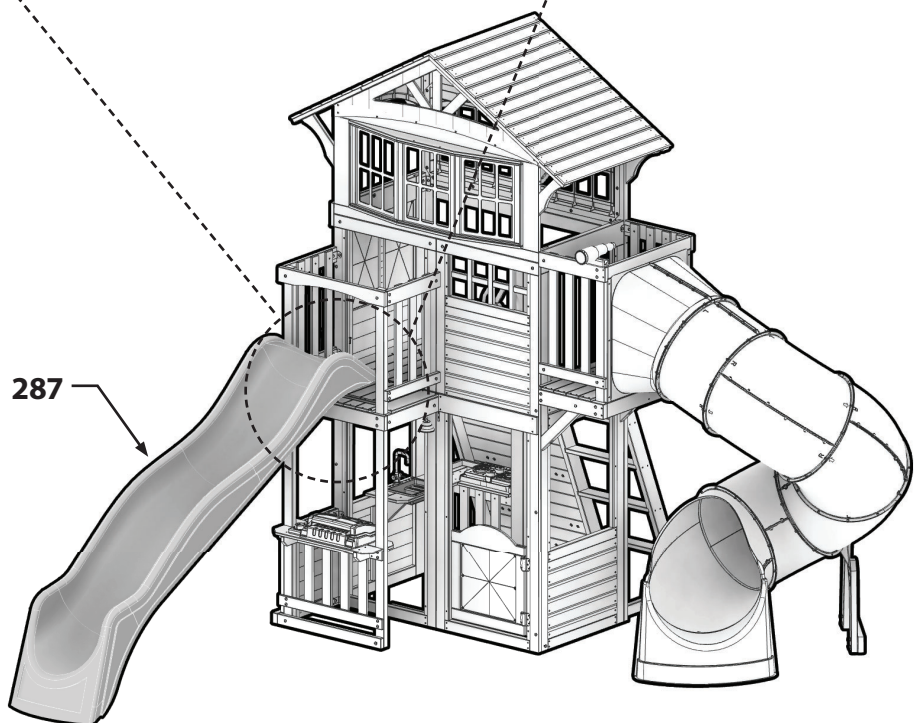


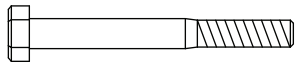
ASSEMBLY NOTE:

USE HOLES IN SLIDE AS GUIDE FOR A 3/8" DRILL BIT FOR BOLT AND T-NUT.



SLIDE LOCATION

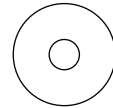




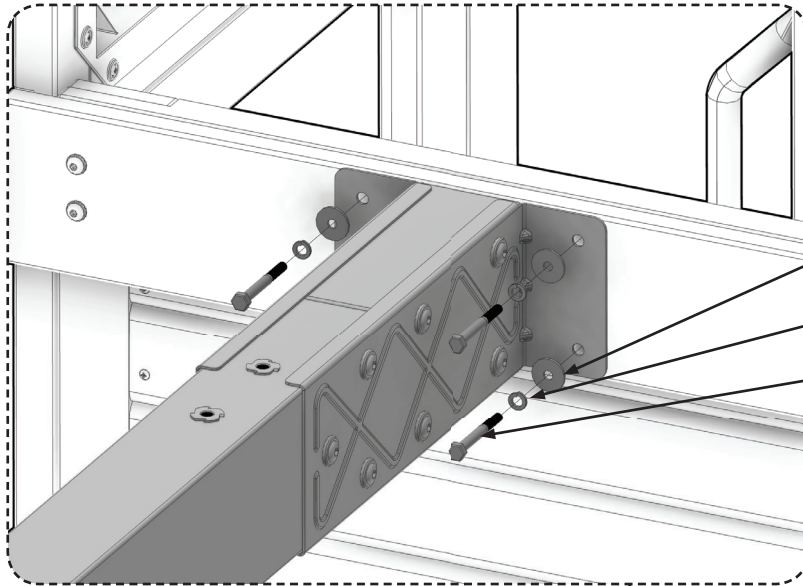
H100658 | BOLT HEX BLK
(x4) | 5/16x2-1/4 - H100658



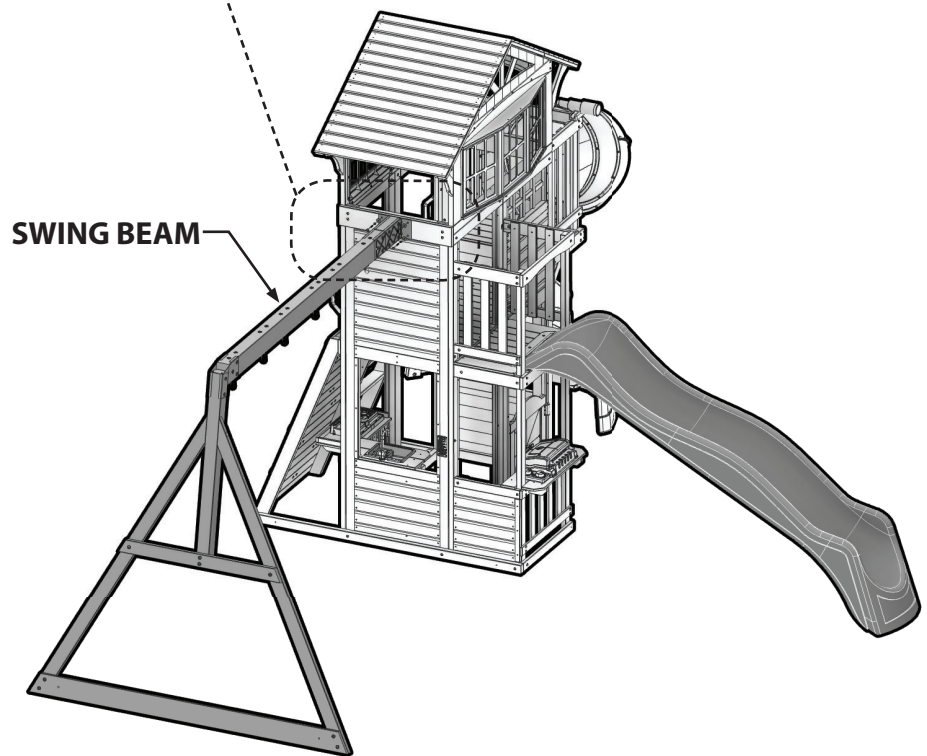
H100477 | WASHER SPLIT BLK
(x4) | 5/16 - H100477



H100478 | WASHER FLAT BLK
(x4) | 8x27 - H100478



- 478(x4)
WASHER 8x27
- 477(x4)
WASHER SPLIT 5/16
- 658(x4)
BOLT - 2-2/4



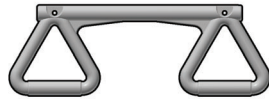


Phase 9

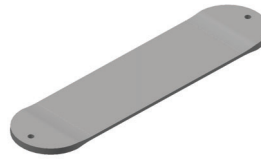
STEP 2



A100069 | QUICK LINK
(x6) | A100069



A6P00034 | TRAPEZE
(x1) | A6P00034



A6P00054 | SWING SEAT GREEN 22"
(x2) | A6P00054



A100164 | BYD ID TAG
(x1) | A100164



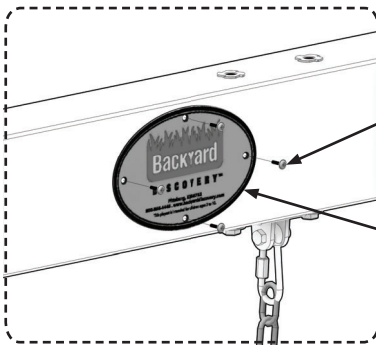
A100177 | CHAIN GREEN 31"
(x2) | A100177



A100047 | CHAIN GREEN 57"
(x4) | A100047

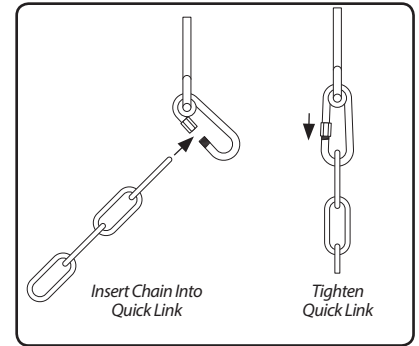


H100202 | SCREW PWH BLK
(x4) | 8x5/8 - H100202



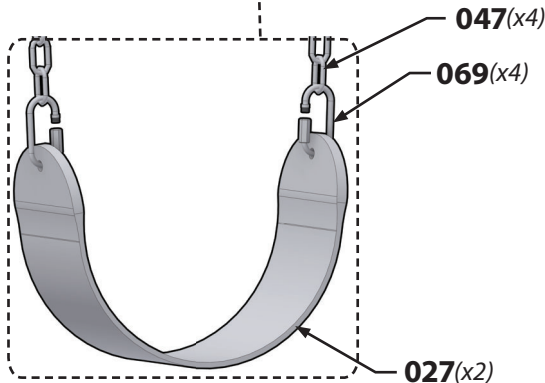
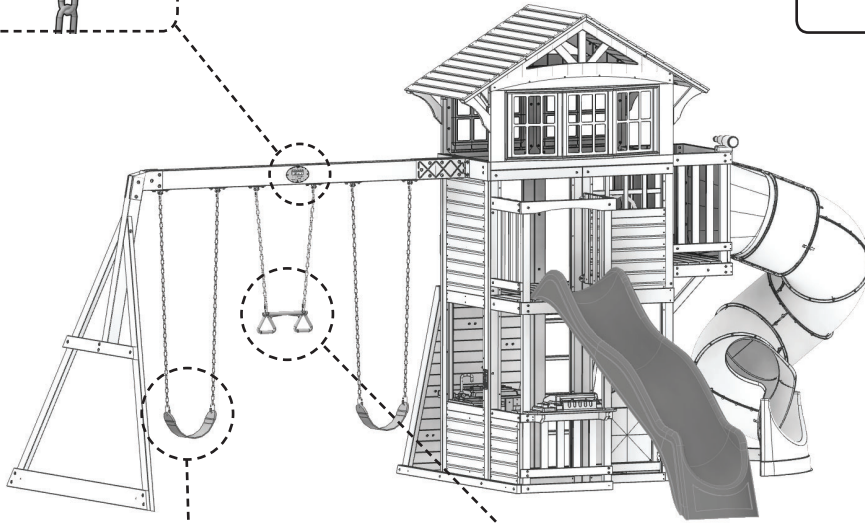
202(x4)
SCREW 5/8

164



Insert Chain Into Quick Link

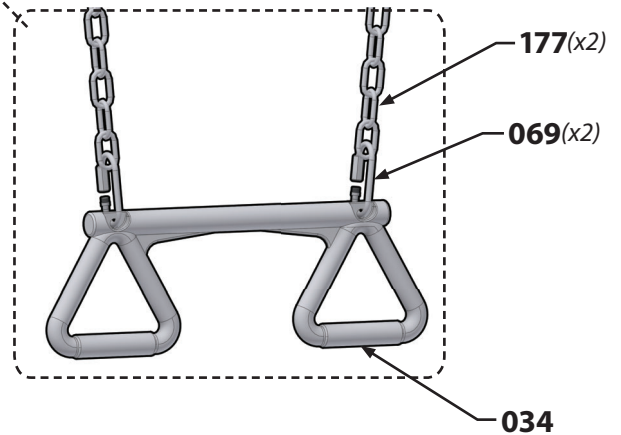
Tighten Quick Link



047(x4)

069(x4)

027(x2)



177(x2)

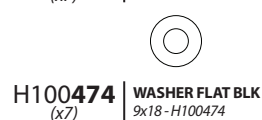
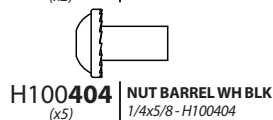
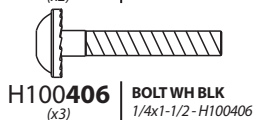
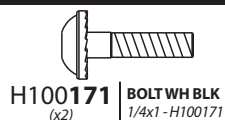
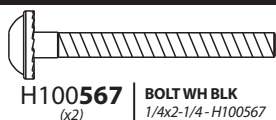
069(x2)

034



Phase 10

STEP 1



WARNING
FAILURE TO USE GROUND STAKES CAN VOID WARRANTY & CAUSE INJURY!

