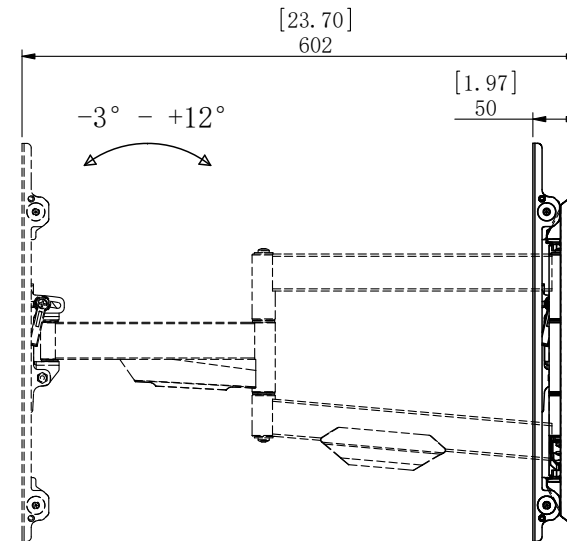
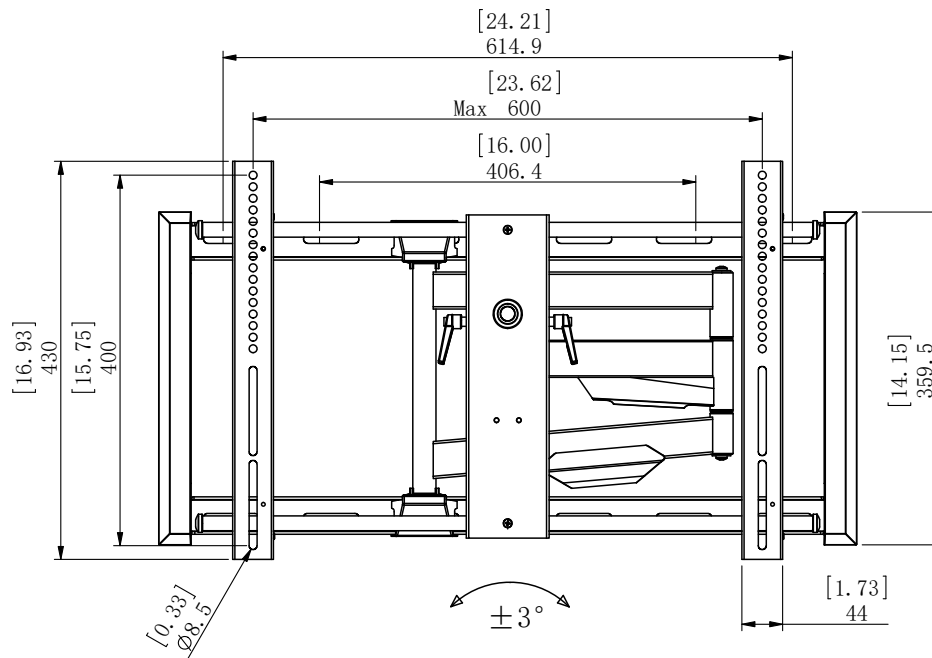
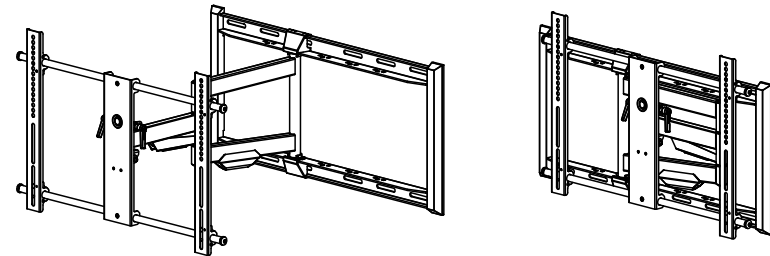
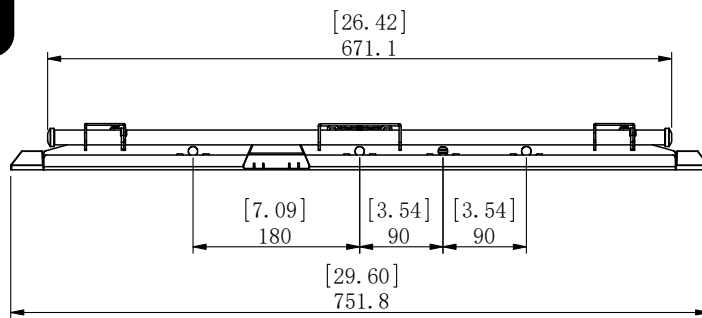


ARM3265HD



00



WWW.MSTRBRAND.COM

NOTES: UNLESS OTHERWISE SPECIFIED

1. VESA STANDARD COMPATABILITY: 200X100 ~ 600X400
2. MAXIMUM VESA MOUNTING CONFIGURATION: 600X400
3. SCREEN SIZE COMPATABILITY: MOST 32-65" SCREENS
4. MAXIMUM WEIGHT CAPACITY: 120LBS (55KG)
5. PRODUCT COLOR: BLACK
6. VIEWING ANGLE INCREMENTS: -3° ~ +12°