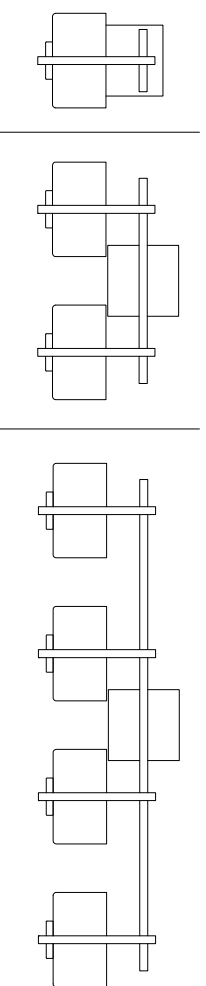
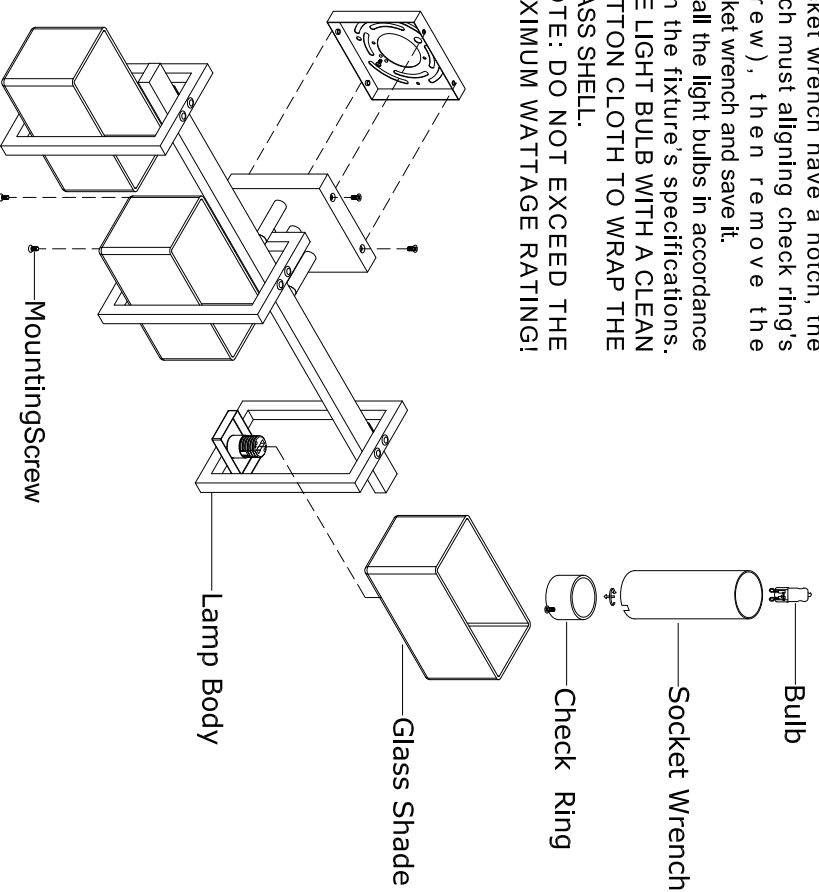


ITEM: 312-1W 312-2W 312-3W 312-4W

INNOVATIONS LIGHTING
CREATIVITY MEETS EVOLUTIONARY DESIGN®
DESIGN COPYRIGHT - 10/20/2021
ALL RIGHTS RESERVED AND MAY
NOT BE DUPLICATED WITHOUT OUR
WRITTEN PERMISSION

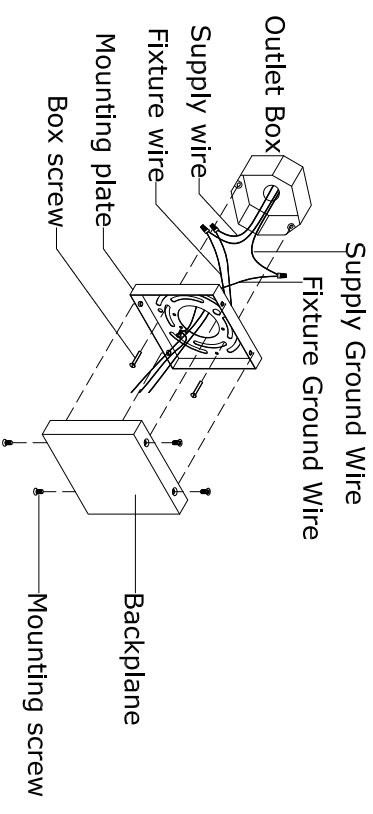
ASSEMBLY INSTRUCTION

1. Place the glass shade and check ring insert to the lamp holder, lock them securely with the socket wrench until tight.(Note: at the end of socket wrench have a notch, the notch must aligning check ring's screw), then remove the socket wrench and save it.
2. Install the light bulbs in accordance with the fixture's specifications. THE LIGHT BULB WITH A CLEAN COTTON CLOTH TO WRAP THE GLASS SHELL.
NOTE: DO NOT EXCEED THE MAXIMUM WATTAGE RATING!



STANDARD MOUNTING PLATE INSTALLATION INSTRUCTIONS

INNOVATIONS LIGHTING
CREATIVITY MEETS EVOLUTIONARY DESIGN®



CAUTION: DISCONNECT POWER DURING INSTALLATION

1. If you are replacing an existing fixture, disconnect and remove the old fixture. Expose the supply wiring from the outlet box.
2. Fasten the mounting plate to the outlet box using the two box screws supplied with the outlet box. The side of the single bar marked "GND" must face out. The outlet box is not included.
3. Spread the electrical wires so that the black wires are on one side of the outlet box and the white wires are on the other side.
4. Grounding instructions:
 - A.) On fixtures where mounting plate is provided with a green ground screw and two raised dimples, Wrap ground wire from outlet box around green ground screw and tighten.
 - B.) On fixtures where mounting plate is provided with a green ground wire attached. Connect mounting plate ground wire to ground wire from outlet box with wire connector (not provided). If fixture is provided with ground wire. Connect fixture ground wire to ground wire from outlet box with wire connector (not provided). After following the above steps. Never connect ground wire to black or white power supply wires.
 6. To make electrical connections: Connect the white wire(s) from the fixture to the white wire of this outlet box. Connect the black wire (s) from the fixture to the black wire of the outlet box. NOTE: Black outlet box wire may be red, round & smooth and/or have copper conductor. White outlet box wire may be square & ridged and/or have a silver conductor.
7. Place the lamp body's backplane over the mounting plate, aligning the backplane holes with screw hole of the mounting plate on side, then lock it securely with mounting screws.