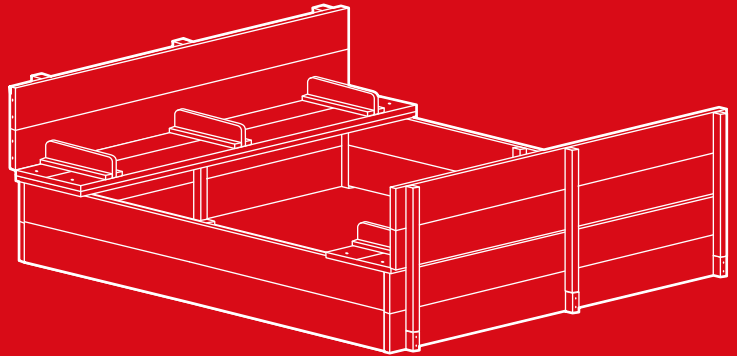




bestchoiceproducts



INSTRUCTION MANUAL

Kids Cedar Sandbox

⚠ WARNING
ADULT ASSEMBLY REQUIRED

⚠ WARNING
CHOKING HAZARD - Small parts.
Not for children under 3 years old.

! NOTICE Please retain these instructions for future reference.

- Please do not exceed the weight limitations of this item.
- Do not stand on or use any part of this item as a step ladder.
- Firmly secure all bolts, screws and knobs before use.
- Reconfirm that all bolts, screws, and knobs are secure every 90 days.
- Fasten screws loosely during initial assembly. Do not fully tighten screws until the item is completely assembled.
- Do not use or store this item in the proximity of open flame or flammable/combustible chemicals.
- Be aware that some parts are heavy and have sharp edges.
- Be aware that moving parts can injure, crush, and cut.
- If any parts are missing, broken, damaged, or worn, stop using this product until repairs are made and/or factory replacement parts are installed.
- Do not use this item in a way inconsistent with the manufacturer's instructions as this could void the product warranty.

TOOLS REQUIRED



PHILLIPS
SCREWDRIVER



DRILL
(RECOMMENDED)



200 LBS
CAPACITY
PER BENCH



1 PERSON
ASSEMBLY




3 YEARS
OLD AND UP



UP TO 45 MIN.
ASSEMBLY


HARDWARE

A M3.5 x 40mm
SCREW




12 PCS

B M3.5 x 35mm
SCREW




36 PCS

C M3 x 25mm
SCREW



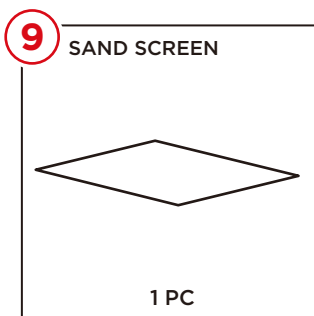
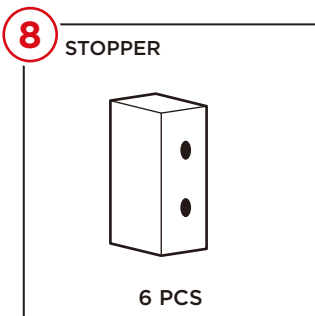
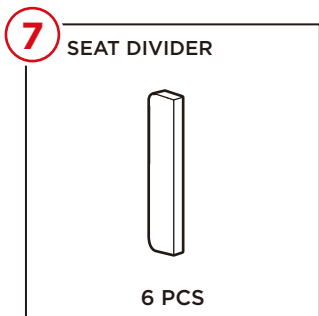
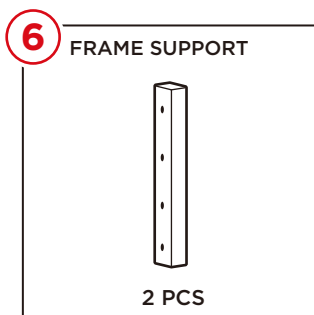
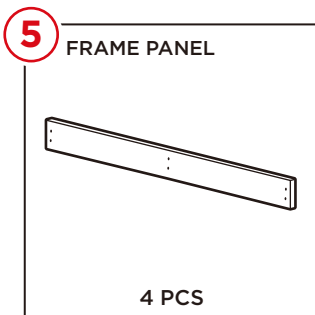
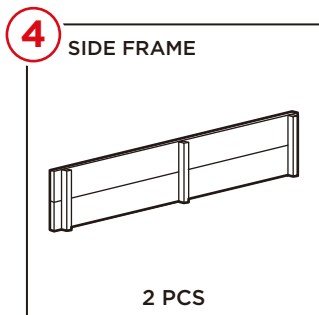
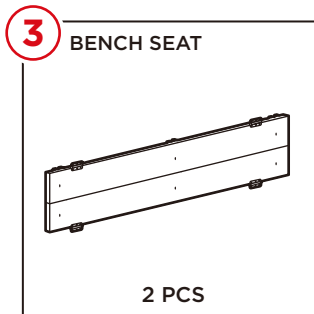
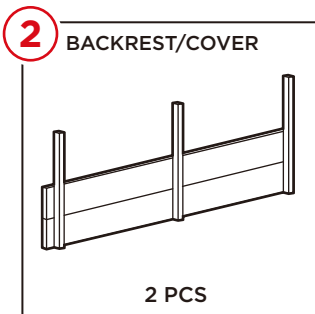
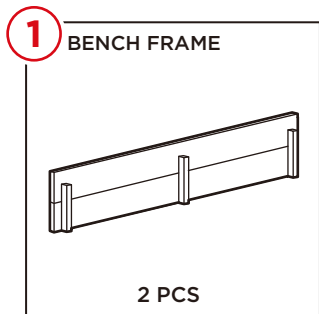
8 PCS

D M3 x 14mm
SCREW



24 PCS

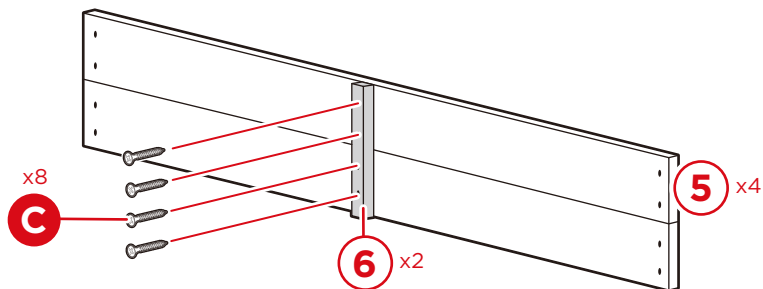
PARTS



PRODUCT ASSEMBLY

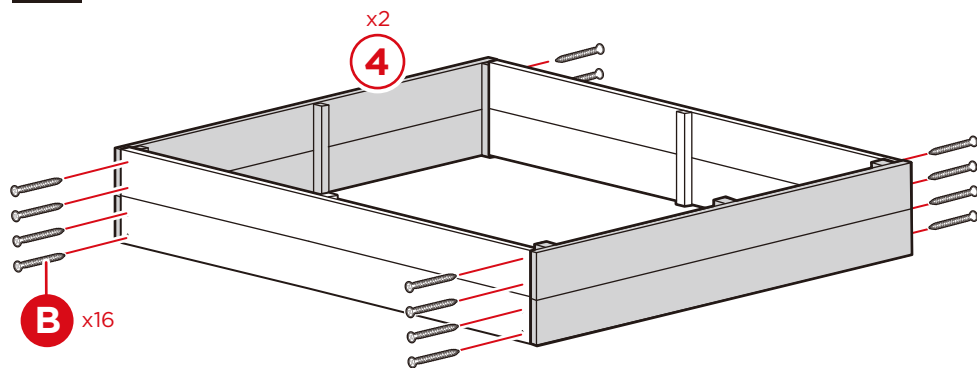
1

Attach a part 6 frame support to two part 5 frame panels with four part C screws.
Repeat to build another sandbox side.



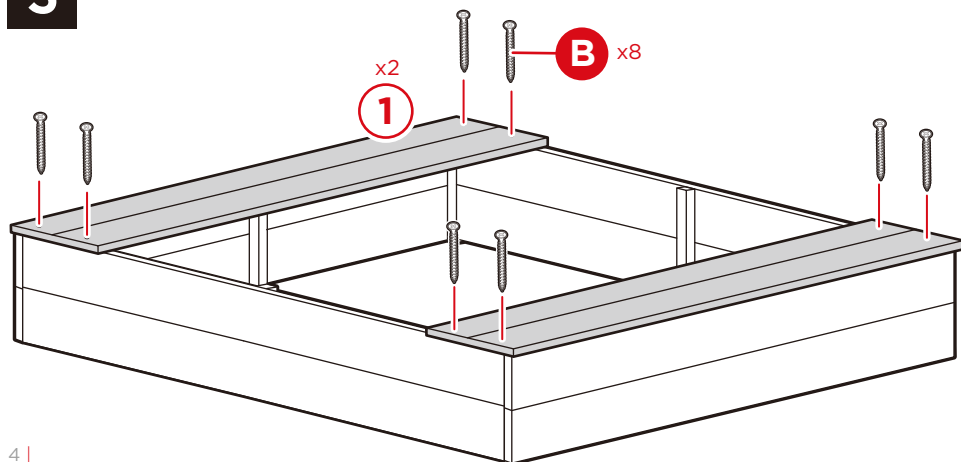
2

Attach the two assembled sandbox sides to two part 4 side frames with sixteen part B screws.



3

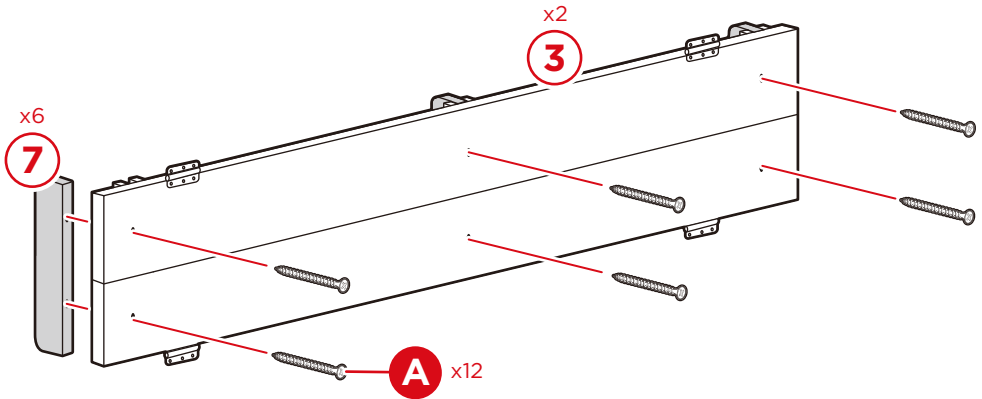
Attach two part 1 bench frames with eight part B screws.



PRODUCT ASSEMBLY

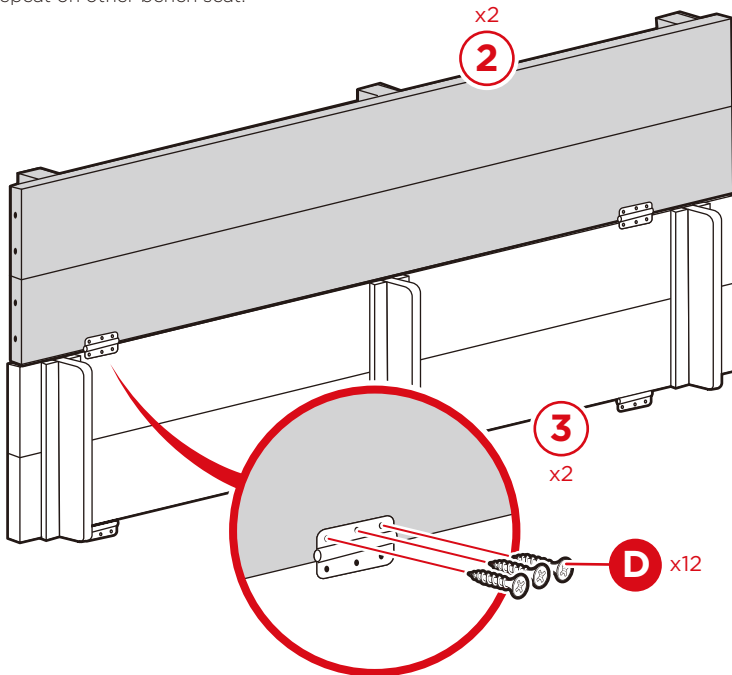
4

Attach three part 7 seat dividers to a part 3 bench seat with six part A screws.
Repeat on other bench seat.



5

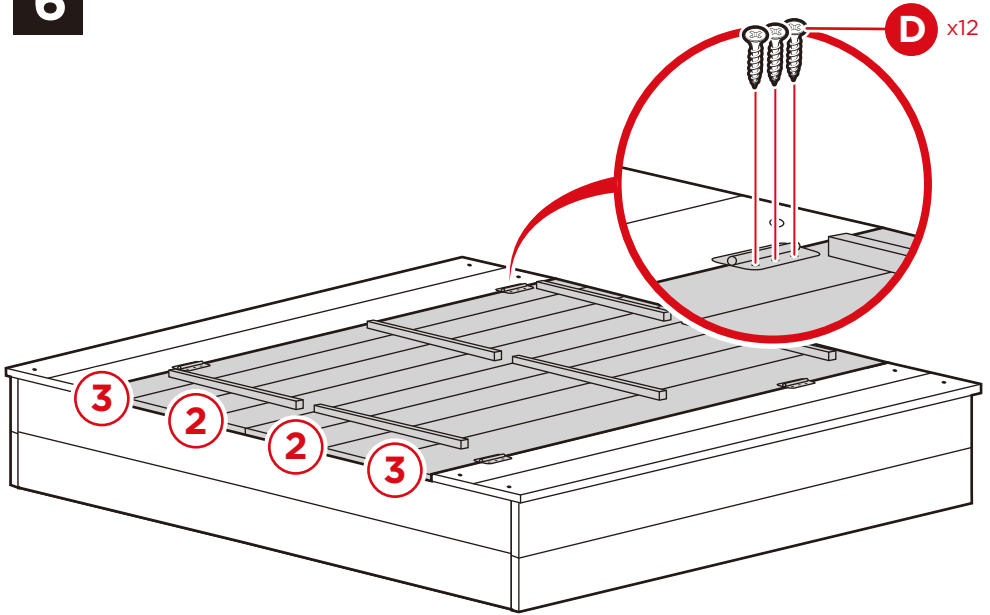
Attach a part 2 backrest/cover to a part 3 bench seat six part D screws, three screws per hinge.
Repeat on other bench seat.



PRODUCT ASSEMBLY

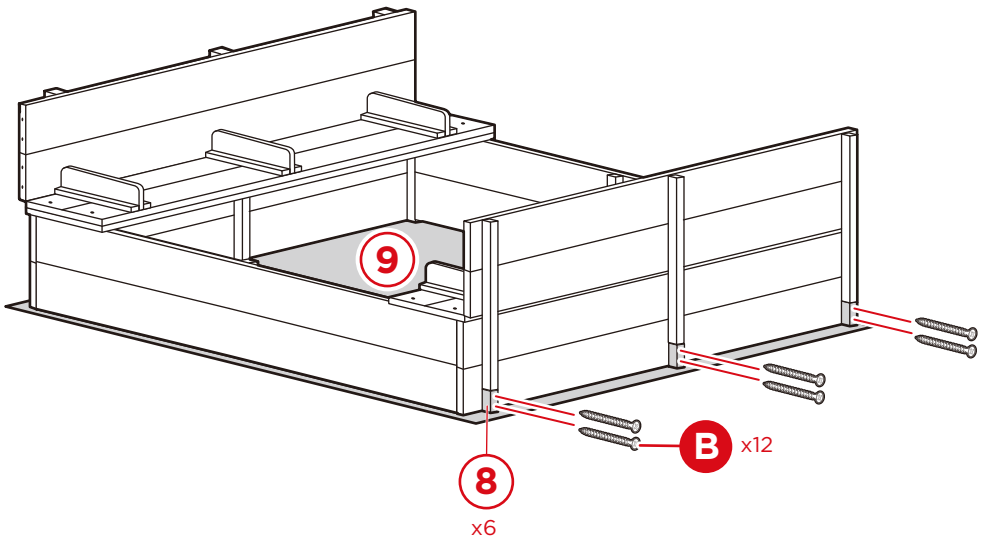
6

Attach two assembled benches/covers with twelve part D screws, three screws per hinge.



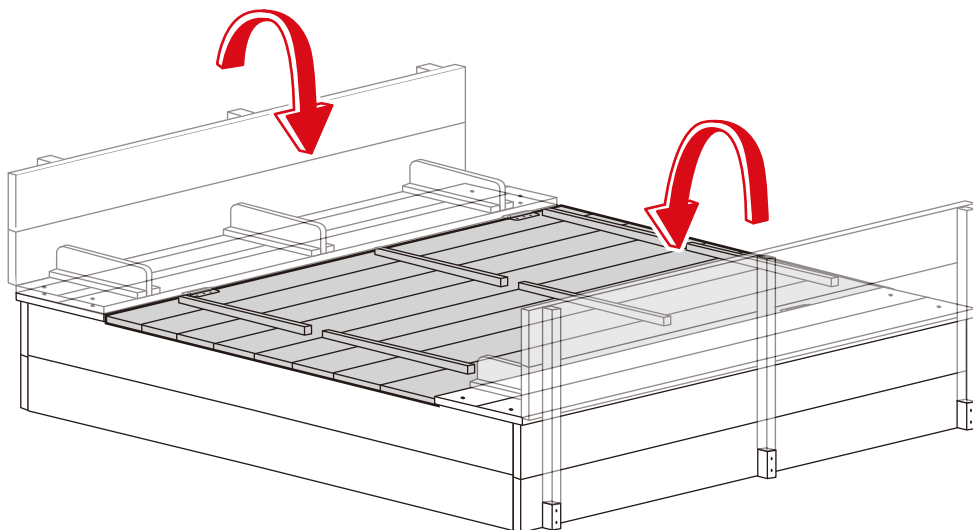
7

Attach six part 8 stoppers with twelve part B screws, two screws per stopper. Place sandbox on the part 9 sand screen.



COVERING SANDBOX

Use two hands and carefully lift from the backrest, fold it at the hinges, and place cover over the sand. Repeat on the other side.





HELP CENTER



Question about your product? We're here to help. Visit us at:

help.bestchoiceproducts.com



Chat Support



Product Inquiry



Orders FAQ



Product Assembly



Returns & Refunds

PRODUCT WARRANTY INFORMATION

All items can be returned for any reason within 60 days of the receipt and will receive a full refund as long as the item is returned in its original product packaging and all accessories from its original shipment are included. All returned items will receive a full refund back to the original payment method. All returned items will not be charged a re-stocking fee.

All returned items require an RA (Return Authorization) number, which can only be provided by a Best Choice Products Customer Service Representative when the return request is submitted. Items received without an RA may not be accepted or may increase your return processing time. Once an item has been received by Best Choice Products, refunds or replacements will be processed within 5 business days.

All returns must be shipped back to the Best Choice Products Return Center at the customer's expense. If the reason for return is a result of an error by Best Choice Products then Best Choice Products will provide a pre-paid shipping label via email. Boxes for return shipping will not be provided by Best Choice Products, and is the customer's responsibility to either use the original shipping boxes or purchase new boxes.

Pictures may be required for some returns to ensure an item is not damaged prior to its return. Items returned are not considered undamaged until they are received by Best Choice Products and verified as such. All damages to items are the customer's responsibility until the item has been received by and acknowledge by Best Choice Products as undamaged.



WARNING

Manufacturer and seller expressly disclaim any and all liability for personal injury, property damage or loss, whether direct, indirect, or incidental, resulting from the incorrect attachment, improper use, inadequate maintenance, unapproved modification, or neglect of this product.