



Manufactured by:
 Backyard Discovery
 3305 Airport Drive, Pittsburg, KS 66762
 800-856-4445

Basepoint Business Centre: Rivermead Drive, Westlea, Swindon SN5 7EX Phone: 0800-118-2476
 J.P. Coenstraat 7, The Bridge, The Hague, 2595 WP, Netherlands Phone: 08005678990

20x12 Kingsport Carport

MODEL # : 2306189B



Please visit www.backyarddiscovery.com
 For the most up to date assembly manual, to register your product, or to order
 replacement parts *Para obtener instrucciones en español, visite*
www.backyarddiscovery.com



EASY STEP-BY-STEP
 3D INTERACTIVE INSTRUCTIONS
 DOWNLOAD THE FREE APP



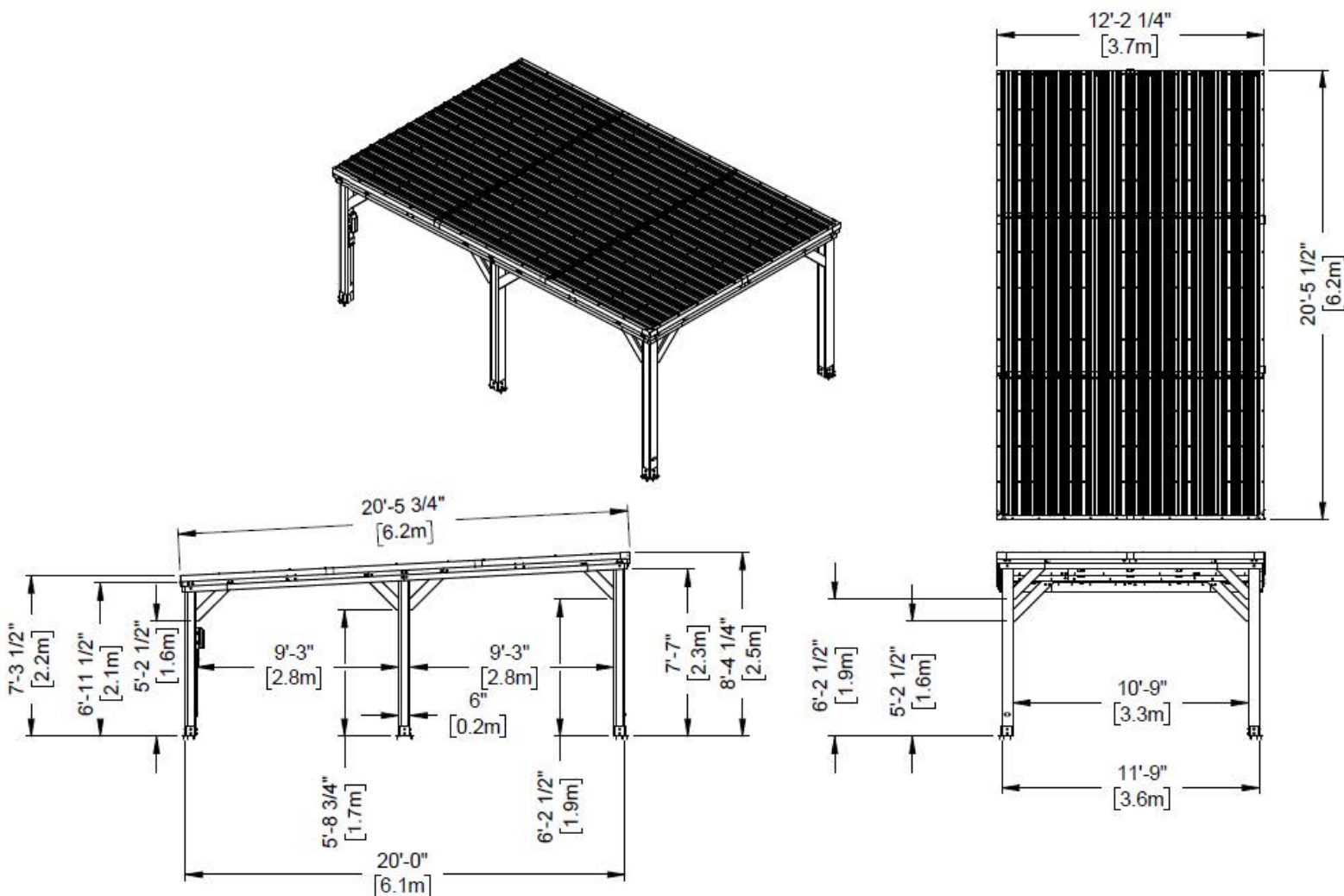
OWNER'S MANUAL - BASIC SETUP DIMENSIONS & ASSEMBLY NOTES

It is critically important that you start with square and level footings or concrete pad to attach your structure

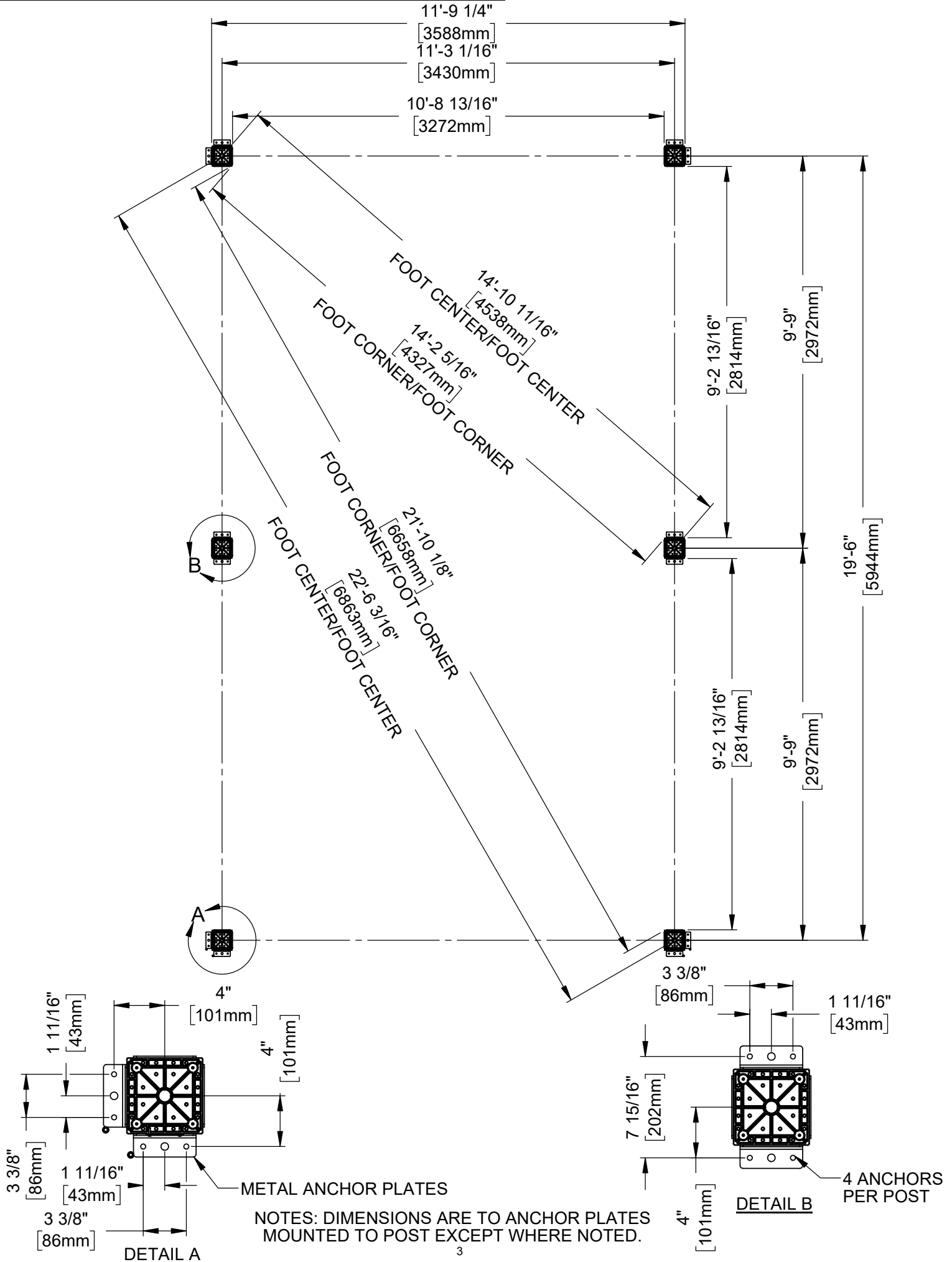
- Pay close attention to the items needed for each step. Make sure you are using the correct hardware for each step. Using incorrect hardware may result in improper assembly
- Remember to double check for underground utilities and overhead electrical lines

Post mounts are provided with your structure which allows you to permanently install your structure to a pre-existing or concrete surface. See Anchor Instructions for further details and recommendations.

- The hardware to attach the post mounts to the structure is included.
- The hardware to mount the structure permanently to a concrete surface is included.



OWNER'S MANUAL - ANCHORING LAYOUT



OWNER'S MANUAL - PARTS IDENTIFICATION

Wood Components (Not to Scale)



D01 CORBEL - W4L17290
(x1) 1 7/16"x5 1/4"x34 7/16" (36x134x874)



D02 CORBEL W/TAG - W2A03544
(x1) 1 7/16"x5 1/4"x34 7/16" (36x134x874)



D03 CORBEL - W4L17581
(x2) 1 3/8"x5 1/4"x31 1/2" (36x134x801)



D04 CORBEL - W4L17582
(x2) 1 3/8"x5 1/4"x28 1/8" (36x134x713)



D05 CORBEL - W4L17583
(x2) 1 3/8"x5 1/4"x31 1/2" (36x134x801)



D06 CORBEL - W4L17580
(x2) 1 3/8"x5 1/4"x28 1/2" (36x134x724)



D08 CORBEL - W4L17595
(x2) 1 7/16"x5 1/4"x33 5/8" (36x134x854)



D07 BRACE BEAM - W4L17587
(x4) 1 7/16"x5 1/4"x36 7/16" (36x134x926)



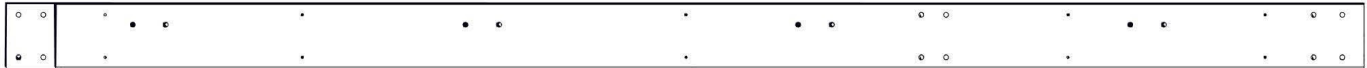
D09 BRACE BEAM - W4L17586
(x4) 1 7/16"x5 1/4"x106 7/8" (36x134x2714)



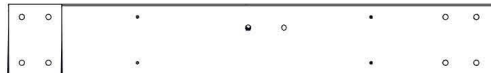
E01 RAFTER - W4L17588
(x10) 1 7/16"x36x56 1/16" (36x86x1424)



E02 RAFTER - W4L17589
(x10) 1 7/16"x3 3/8"x56 1/4" (36x86x1429)



G01 BRACE BEAM - W4L17584
(x2) 15/16"x5 1/4"x108 3/8" (24x134x2752)



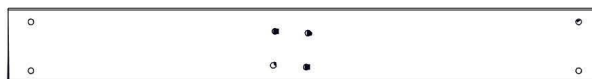
G02 BRACE BEAM - W4L17585
(x2) 15/16"x5 1/4"x36 3/8" (24x134x924)



G03 FASCIA - W4L17592
(x2) 15/16"x5 1/4"x72 7/8" (24x134x1851)



G06 FASCIA - W4L17596
(x2) 15/16"x5 1/4"x72 7/8" (24x134x1851)



G09 FASCIA - W4L17599
(x2) 24x5 1/4"x41 3/16" (24x134x1046)

OWNER'S MANUAL - PARTS IDENTIFICATION

Wood Components (Not to Scale)



G10 FASCIA - W4L17600
(x2) 15/16"x5 1/4"x100 1/8" (24x134x2543)



G11 FASCIA - W4L17601
(x2) 15/16"x5 1/4"x102 1/8" (24x134x2594)



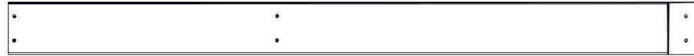
G12 BRACE BEAM - W4L17602
(x2) 15/16"x5 1/4"x108 3/8" (24x134x2752)



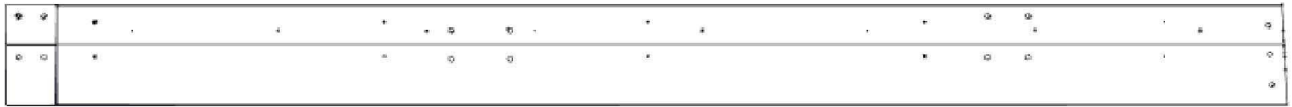
G13 BRACE BEAM - W4L17603
(x2) 15/16"x5 1/4"x36 3/8" (24x134x924)



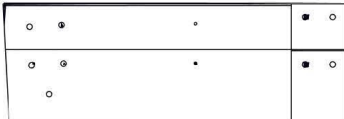
H01 PURLIN - W4L17590
(x8) 15/16"x3 3/8"x98 3/16" (24x86x2494)



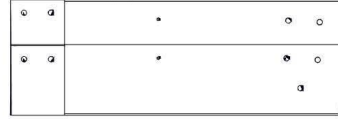
H02 PURLIN - W4L17591
(x8) 15/16"x3 3/8"x45 1/8" (24x86x1146)



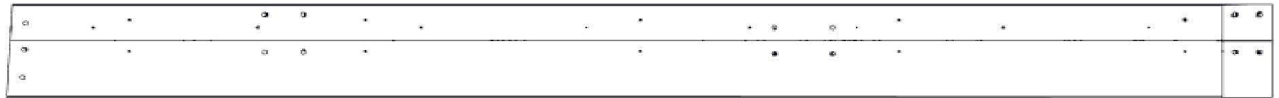
J01 JOIST ASSEMBLY - W2A03718
(x1) 1 7/16"X214X100" (36x214x2540)



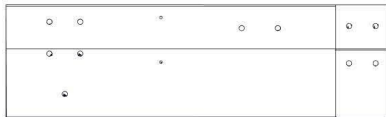
J02 JOIST ASSEMBLY - W2A03719
(x1) 1 7/16"X8 7/16"X24 9/16" (36x214x624)



J03 JOIST ASSEMBLY - W2A03720
(x1) 1 7/16"X8 7/16"X24 9/16" (36x214x624)



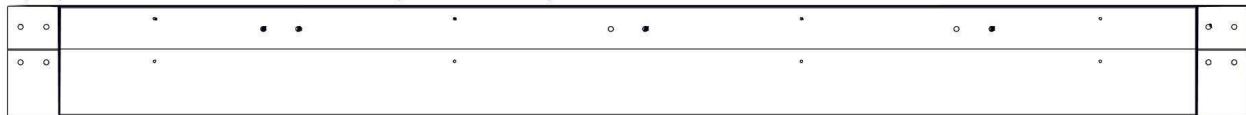
J04 JOIST ASSEMBLY - W2A03721
(x1) 1 7/16"X8 7/16"X100" (36x214x2540)



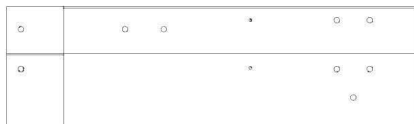
J05 JOIST ASSEMBLY - W2A03722
(x1) 1 7/16"X8 7/16"X28 7/16" (36x214x722)



J07 JOIST ASSEMBLY - W2A03724
(x1) 1 7/16"X8 7/16"X28 7/16" (36x214x722)



J06 JOIST ASSEMBLY - W2A03723
(x1) 1 7/16"X8 7/16"X94 7/8" (36x214x2410)



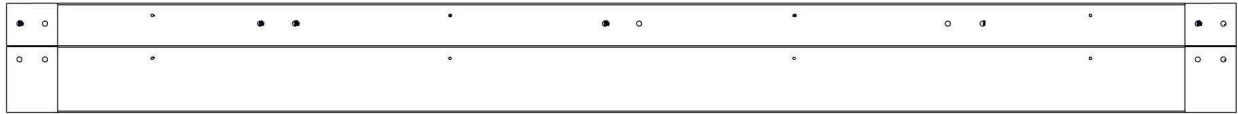
J08 JOIST ASSEMBLY - W2A03725
(x1) 1 7/16"X8 7/16"X28 7/16" (36x214x722)



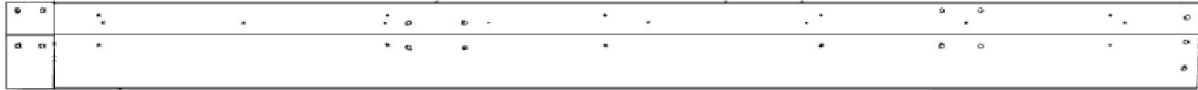
J10 JOIST ASSEMBLY - W2A03727
(x1) 1 7/16"X8 7/16"X28 7/16" (36x214x722)

OWNER'S MANUAL - PARTS IDENTIFICATION

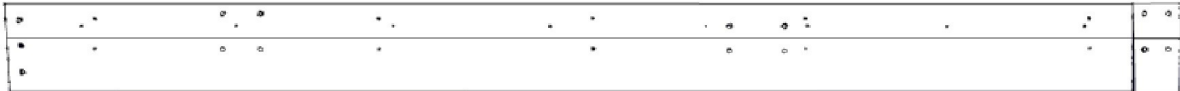
Wood Components (Not to Scale)



J09 JOIST ASSEMBLY - W2A03726
(x1) 1 7/16"x8 7/16"x94 7/8" (36x214x2410)



J11 JOIST ASSEMBLY - W2A03728
(x1) 1 7/16"x8 7/16"x97 11/16" (36x214x2481)



J12 JOIST ASSEMBLY - W2A03729
(x1) 1 7/16"x8 7/16"x97 11/16" (36x214x2481)



J13 JOIST ASSEMBLY - W2A03730
(x1) 1 7/16"x8 7/16"x26 7/8" (36x214x682)



J14 JOIST ASSEMBLY - W2A03731
(x1) 1 7/16"x8 7/16"x26 7/8" (36x214x682)



J15 CLEAT - W4L17604
(x4) 15/16"x2 3/8"x48 1/8" (24x60x1222)



J16 CLEAT - W4L17605
(x4) 15/16"x2 3/8"x53 15/16" (24x60x1370)



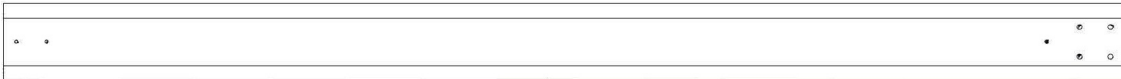
P01 POST - W2A03712
(x1) 6"x6"x98 1/2" (152x152x2502)



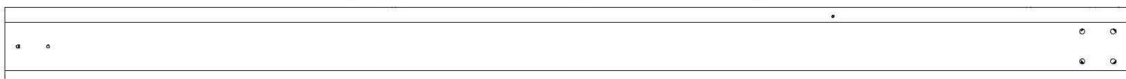
P02 POST - W2A03714
(x1) 6"x6"x98 1/2" (152x152x2502)



P03 POST - W2A03713
(x2) 6"x6"x92 5/16" (152x152x2344)



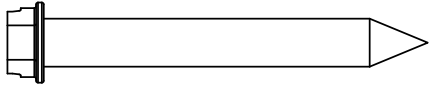
P05 POST - W2A03716
(x1) 6"x6"x86 1/4" (152x152x2190)



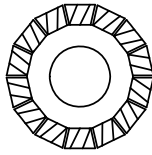
P06 POST - W2A03717
(x1) 6"x6"x86 1/4" (152x152x2190)

OWNER'S MANUAL - PARTS IDENTIFICATION

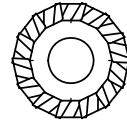
Hardware Components



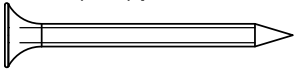
H100120 | CONCRETE ANCHOR
(x24) | 1/4x2



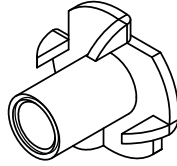
H100198 | WASHER LOCK EXT BLK
(x156) | 8x19



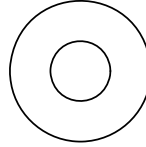
H100405 | WASHER LOCK EXT BLK
(x12) | 6x15



H100200 | SCREW PFH BLK
(x80) | 8x1-1/2



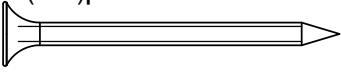
H100379 | T-NUT BLK
(x168) | 5/16



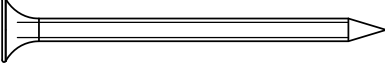
H100630 | WASHER FLAT BLK
(x108) | 8x19



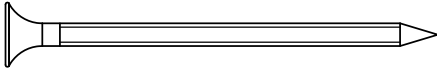
H100479 | NUT LOCK BLK
(x44) | 5/16



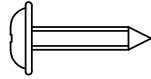
H100382 | SCREW PFH BLK
(x112) | 8x1-3/4



H100391 | SCREW PFH BLK
(x136) | 8x2



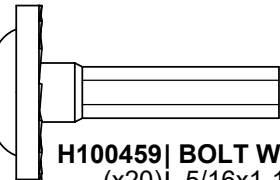
H100483 | SCREW PFH BLK
(x56) | 8x2-1/4



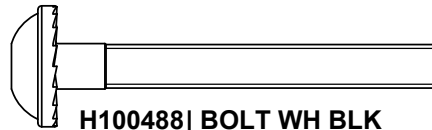
H100202 | SCREW PWH BLK
(x2) | 8x5/8



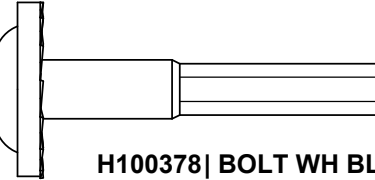
H100653 | NUT LOCK BLK
(x40) | 1/4



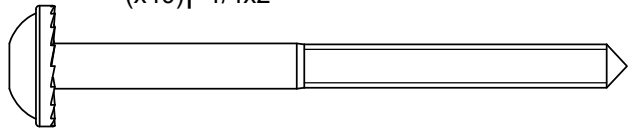
H100459 | BOLT WH BLK
(x20) | 5/16x1-1/4



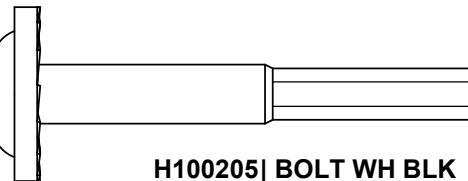
H100488 | BOLT WH BLK
(x40) | 1/4x2



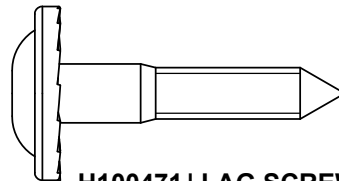
H100378 | BOLT WH BLK
(x36) | 5/16x1-3/4



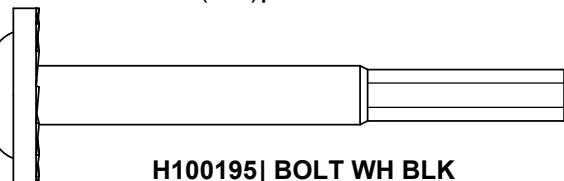
H100792 | LAG SCREW WH BLK
(x12) | 1/4x3



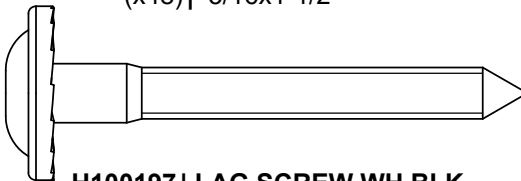
H100205 | BOLT WH BLK
(x24) | 5/16x2-1/4



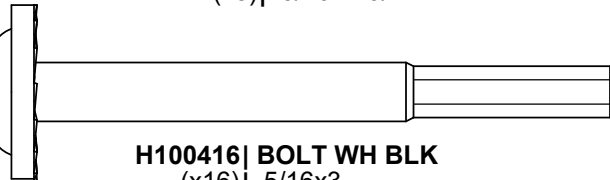
H100471 | LAG SCREW WH BLK
(x48) | 5/16x1-1/2



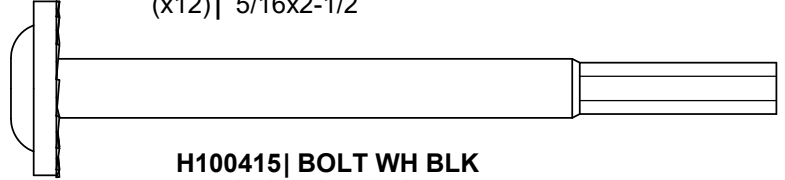
H100195 | BOLT WH BLK
(x8) | 5/16x2-3/4



H100197 | LAG SCREW WH BLK
(x12) | 5/16x2-1/2



H100416 | BOLT WH BLK
(x16) | 5/16x3



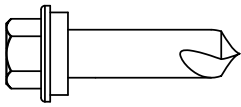
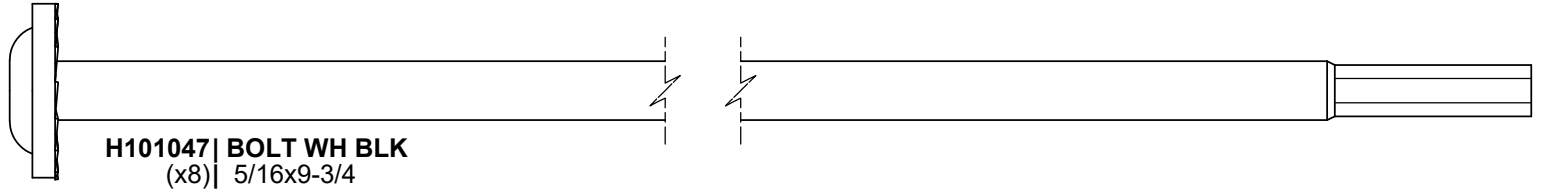
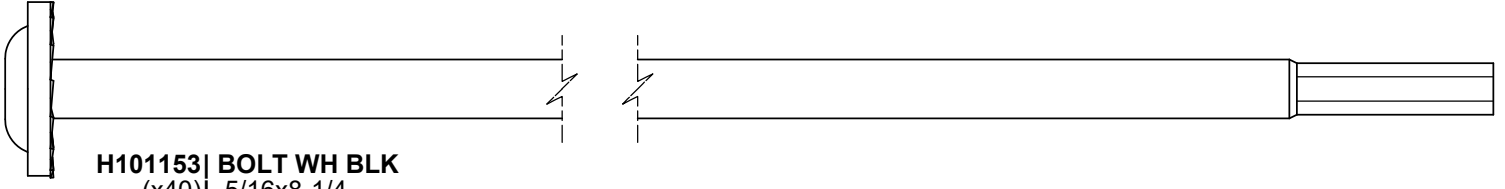
H100415 | BOLT WH BLK
(x8) | 5/16x3-3/4



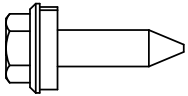
H100503 | BOLT WH BLK
(x52) | 5/16x3-1/2

OWNER'S MANUAL - PARTS IDENTIFICATION

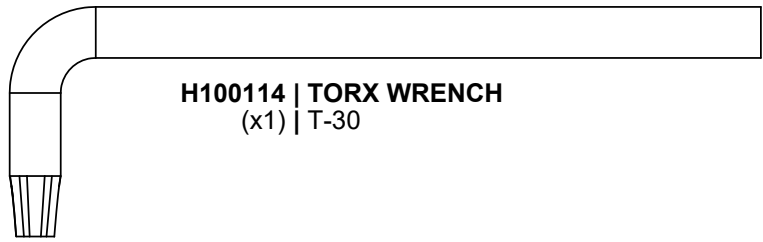
Hardware Components



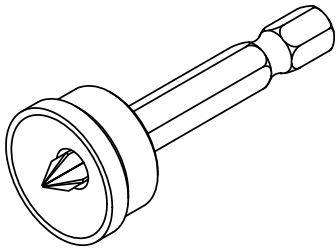
H101116 | SCREW TAPPING
(x38) | 1/4 x 1



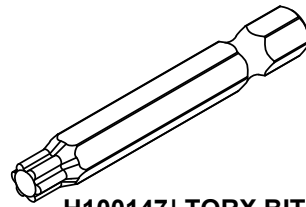
H101117 | SCREW WOODGRIP
(x260) | 10x3/4



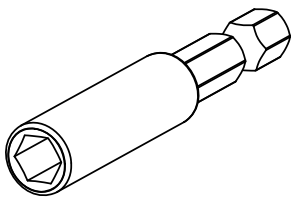
H100114 | TORX WRENCH
(x1) | T-30



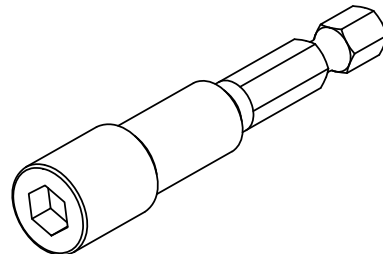
H100764 | SCREW SETTER
(x1) |



H100147 | TORX BIT
(x1) | T-30



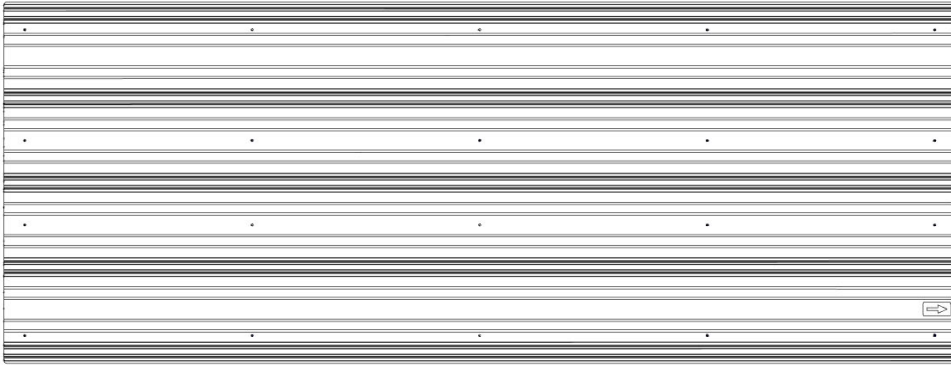
H101100 | MAGNETIC DRIVER
(x1) |



H101106 | SOCKET DRIVER
(x1) |

OWNER'S MANUAL - PARTS IDENTIFICATION

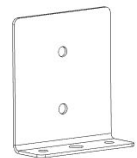
Accessory Components (Not to Scale)



A4M02960 29GA SHEETING
(x10)



A4M00978 POST PLATE
(x12)



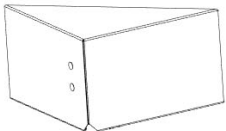
A4M00977 POST ANCHORING
PLATE
(x12)



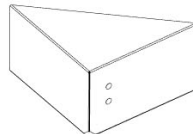
A4M02961 29GA SHEETING
(x5)



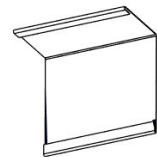
9205413 ELECTRICAL ENCLOSURE
(x1)



A4M02736 CORNER SPLICE TRIM LH
(x1)



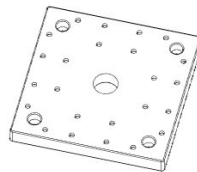
A4M02735 CORNER SPLICE TRIM RH
(x1)



A4M02734 EDGE TRIM SPLICE
(x5)



A100241 ID TAG
(x1)



A6P00308 6x6 POST FOOT
(x6)



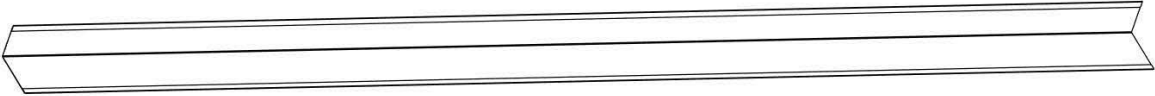
A6P00556 WEATHER TAPE
(x2)



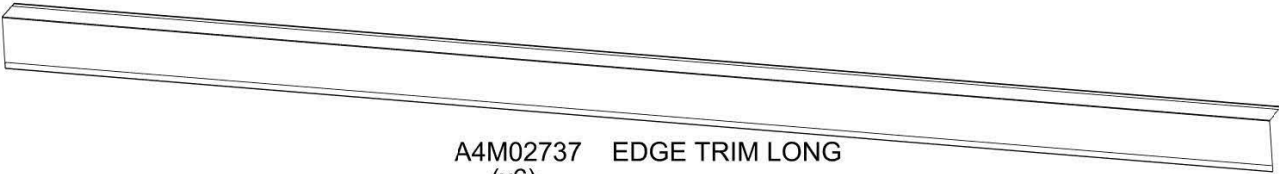
A4M02794 DRIP EDGE SPLICE
(x1)

OWNER'S MANUAL - PARTS IDENTIFICATION

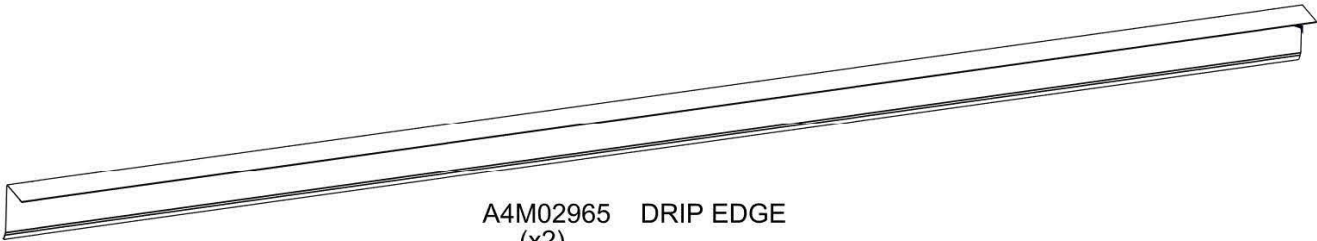
Accessory Components (Not to Scale)



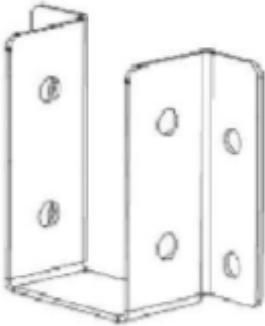
A4M02740 EDGE TRIM LONG
(x2)



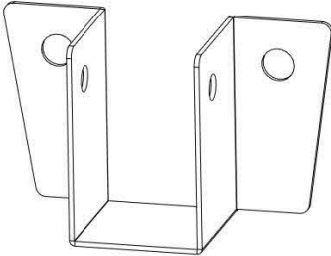
A4M02737 EDGE TRIM LONG
(x6)



A4M02965 DRIP EDGE
(x2)



A4M02103 JOIST HANGER 90°
(x4)



A4M01787 RAFTER BRACKET
(x40)

PRE-ASSEMBLY STEP 1 - SORTING PARTS

It is critical for ease of assembly that you take the time to sort and organize the wood and hardware.

WOOD PARTS:

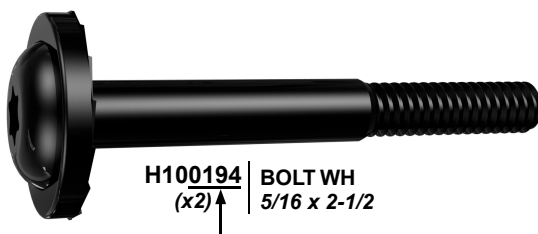
- Organize wood parts by the three-digit, alpha-numeric number stamped on each board (ex. P01).
- If there are multiple boards with the same stamped number, stack those pieces together.
- Stamps can be found on the flat surface of the boards or on the end of the boards.
- Allow yourself plenty of room - the wood pieces can take up a significant amount of space.

NOTE: CARTONS ARE NOT ORGANIZED BY BOARD NUMBER.



HARDWARE PARTS:

- We recommend that you have a separate table to organize the hardware.
- Hardware bags are printed with a seven-digit, alpha-numeric part number.
- You can organize your hardware by part number or group by hardware type (i.e. bolts, nuts, etc.).
- During assembly you only need to reference the last four digits of the number.



H100194 | BOLT WH
(x2) ↑ 5/16 x 2-1/2

PRE-ASSEMBLY STEP 2 - TOOLS REQUIRED



Cordless Drill or Electric Drill



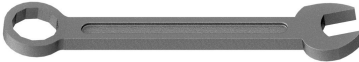
Drill Attachments:
Phillips Head



1/8", 3/16", 3/8" &
7/16" Drill Bits



Phillips Screw Driver



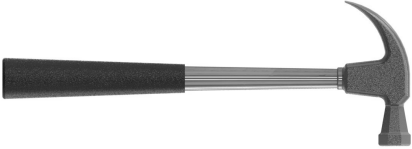
Open End
Wrenches 1/2" &
7/16"



3/8" Drive Ratchet, 1/2" &
7/16" STD Sockets, 1/2" &
7/16" Deep Sockets



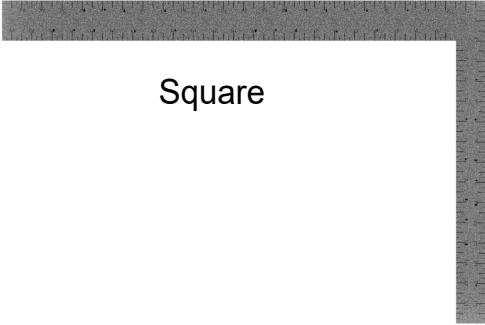
Tape Measure



Claw Hammer



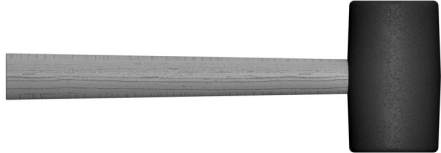
3/8 & 5/16" Nut Drivers



Square



Level 24"



Rubber Mallet -
Optional

PRE-ASSEMBLY STEP 3 - CHOOSE YOUR ASSEMBLY METHOD

There are several types of assembly instructions available to you.

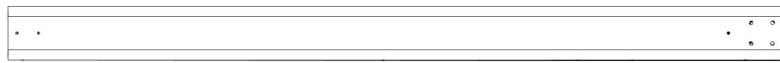
1. Printed Assembly Manual included with your set
2. BILT APP - 3D interactive instructions
3. Combination of the Printed Manual and BILT APP (Note: Step numbers can differ between the two methods)



The graphic is a rectangular advertisement for the BILT app. At the top left is the BILT logo, which consists of a stylized hexagonal icon with a dot inside, followed by the word "BILT." in a bold, sans-serif font. To the right of the logo is a large QR code. Below the logo and QR code, the text "Scan for easy 3D instructions" is written in a large, bold, black font. Underneath this, in a smaller font, it says "Download the BILT app before you begin". To the right of this text are two buttons: "Download on the App Store" with the Apple logo and "GET IT ON Google Play" with the Google Play logo. At the bottom of the graphic is a smartphone screen displaying a 3D assembly instruction. The screen shows a grey 3D model of a structure with a horizontal beam and a triangular support. The interface includes a close button (X) in the top right, a menu icon (three dots) below it, a play button in the bottom center, and a back button (<) on the left. A small notification in the top left of the screen says "Hardware Needed".

STEP 1 - REAR ASSEMBLY

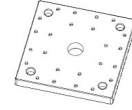
Qty	PART NUMBER	DESCRIPTION
8	H100200	SCREW PFH 8x1 1/2 BLK



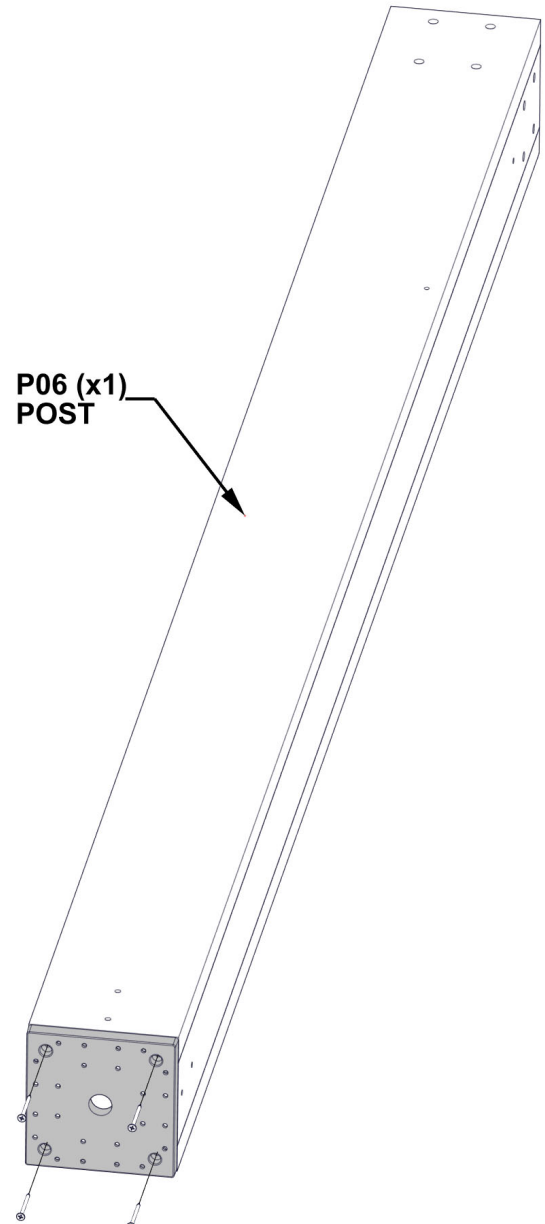
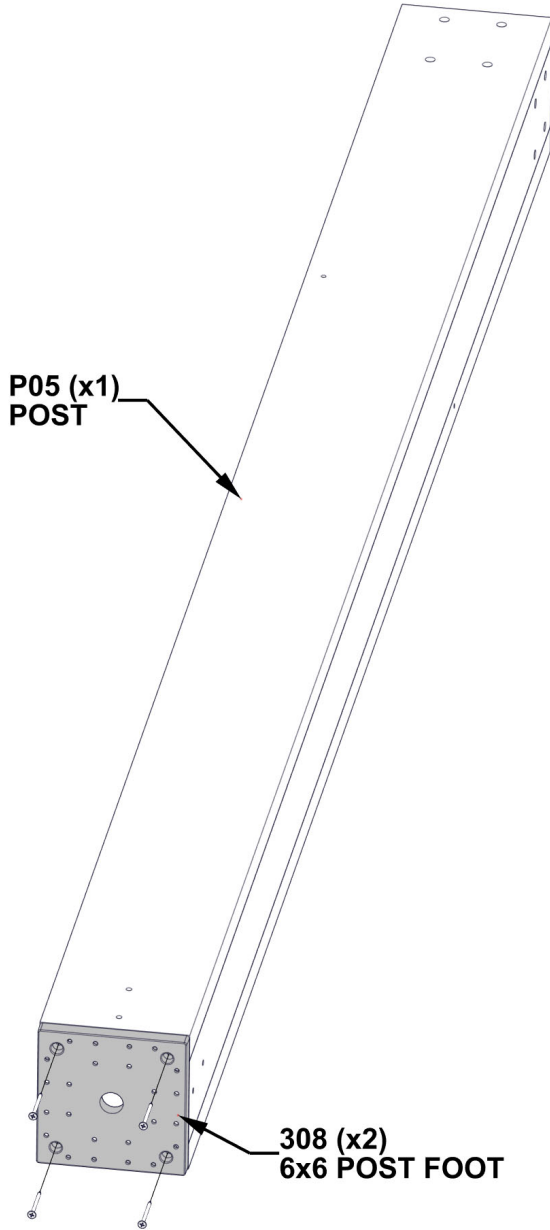
P05 POST - W2A03716
(x1) 6"x6"x86 1/4" (152x152x2190)



P06 POST - W2A03717
(x1) 6"x6"x86 1/4" (152x152x2190)



A6P00308 6x6 POST FOOT
(x2)



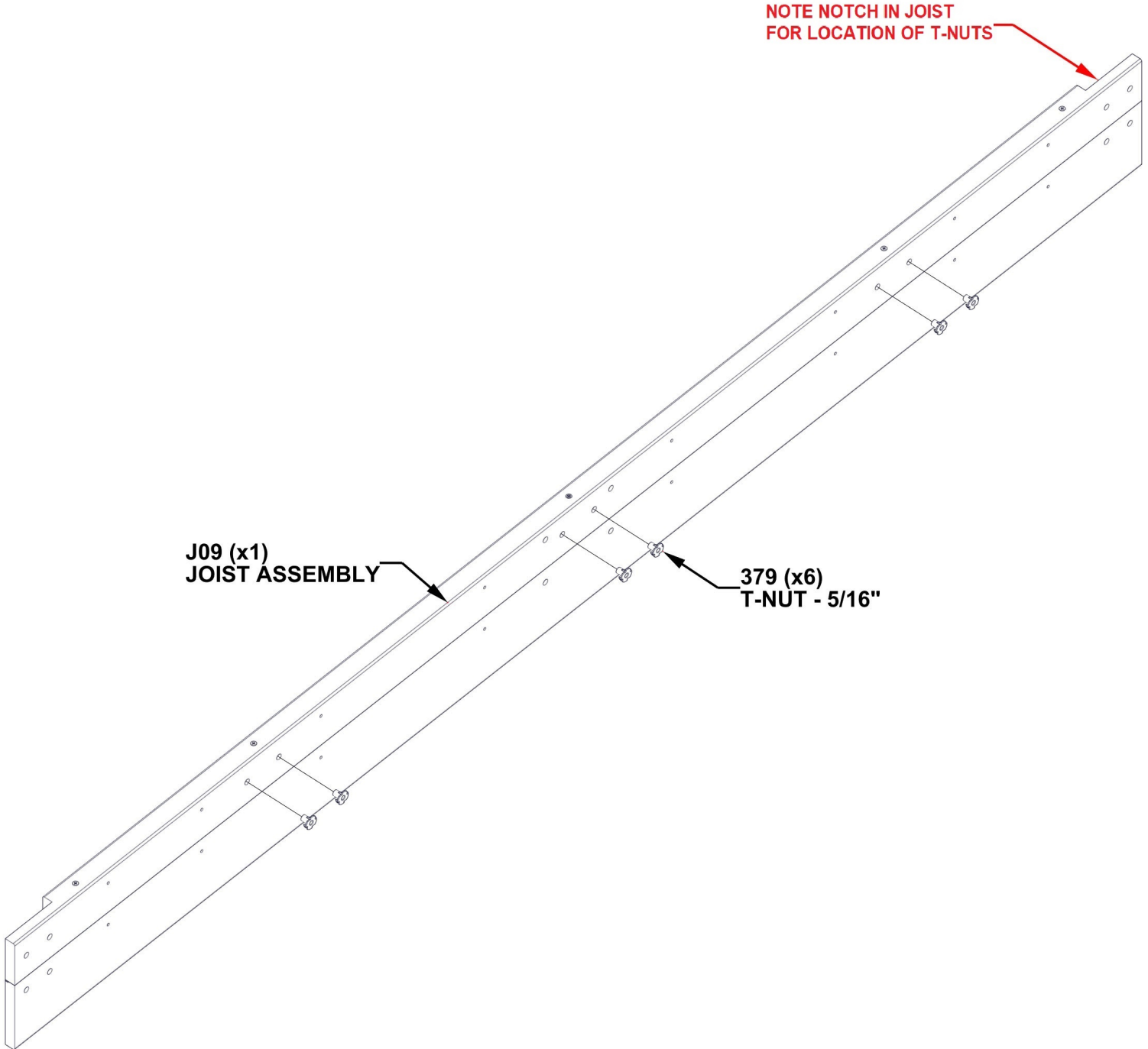
ALIGN POST FOOT AND DRILL 1/8" PILOT HOLES FOR THE ATTACHMENT OF HARDWARE.

STEP 2 - REAR ASSEMBLY

Qty	PART NUMBER	DESCRIPTION
6	H100379	T-NUT 5/16 BLK

• ○	-	• •	.	• ○	.	○ •	.	• ○
○ ○	○ ○

J09 JOIST ASSEMBLY - W2A03726
 (x1) 1 7/16" X 8 7/16" X 100" (36x214x2540)



STEP 3 - REAR ASSEMBLY

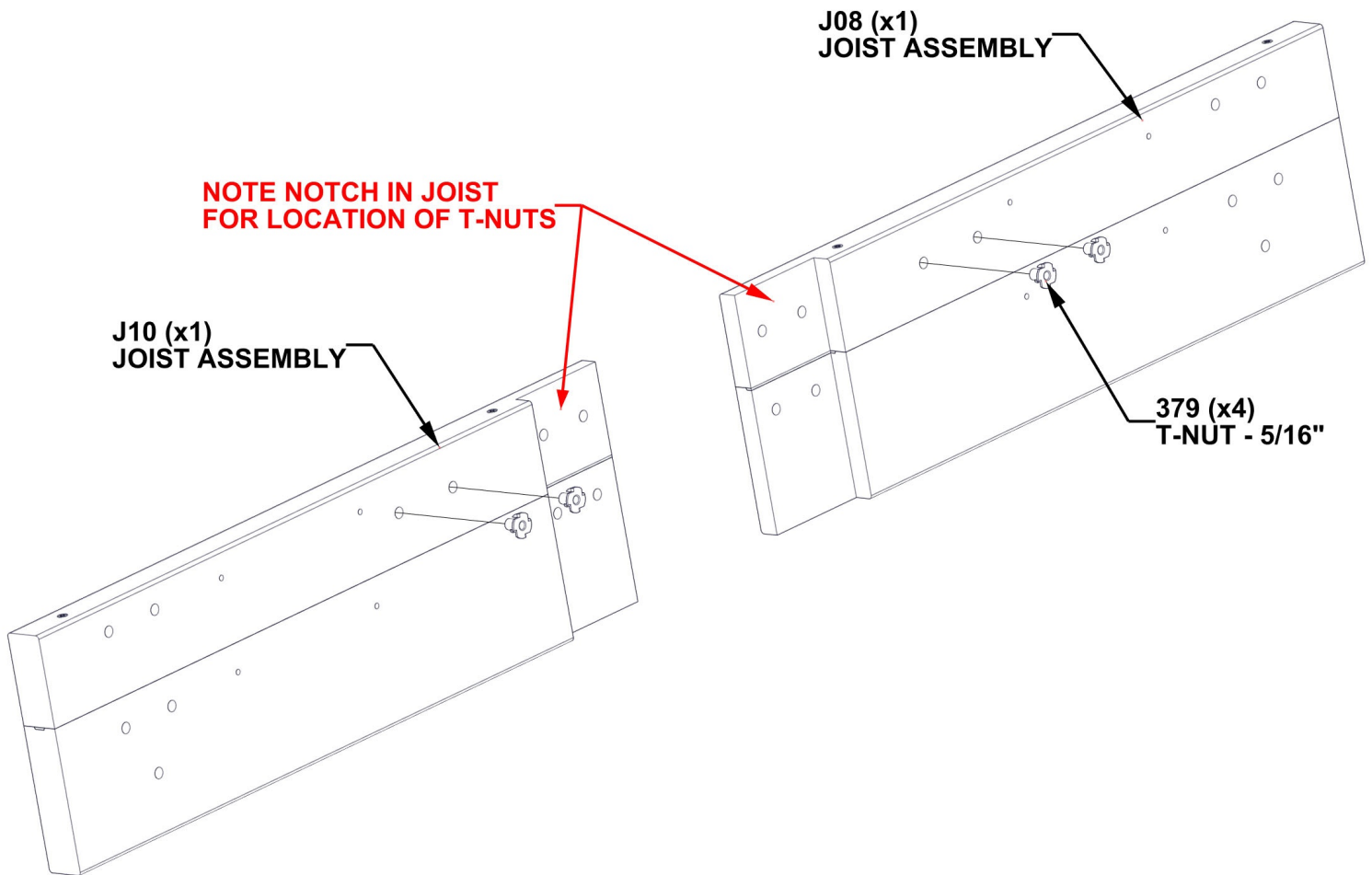
Qty	PART NUMBER	DESCRIPTION
4	H100379	T-NUT 5/16 BLK



J10 JOIST ASSEMBLY - W2A03727
 (x1) 1 7/16"x8 7/16"x28 7/16" (36x214x722)



J08 JOIST ASSEMBLY - W2A03725
 (x1) 1 7/16"x8 7/16"x28 7/16" (36x214x722)



STEP 4A - REAR ASSEMBLY



**J09 JOIST ASSEMBLY WITH
T-NUTS FROM STEP 2**



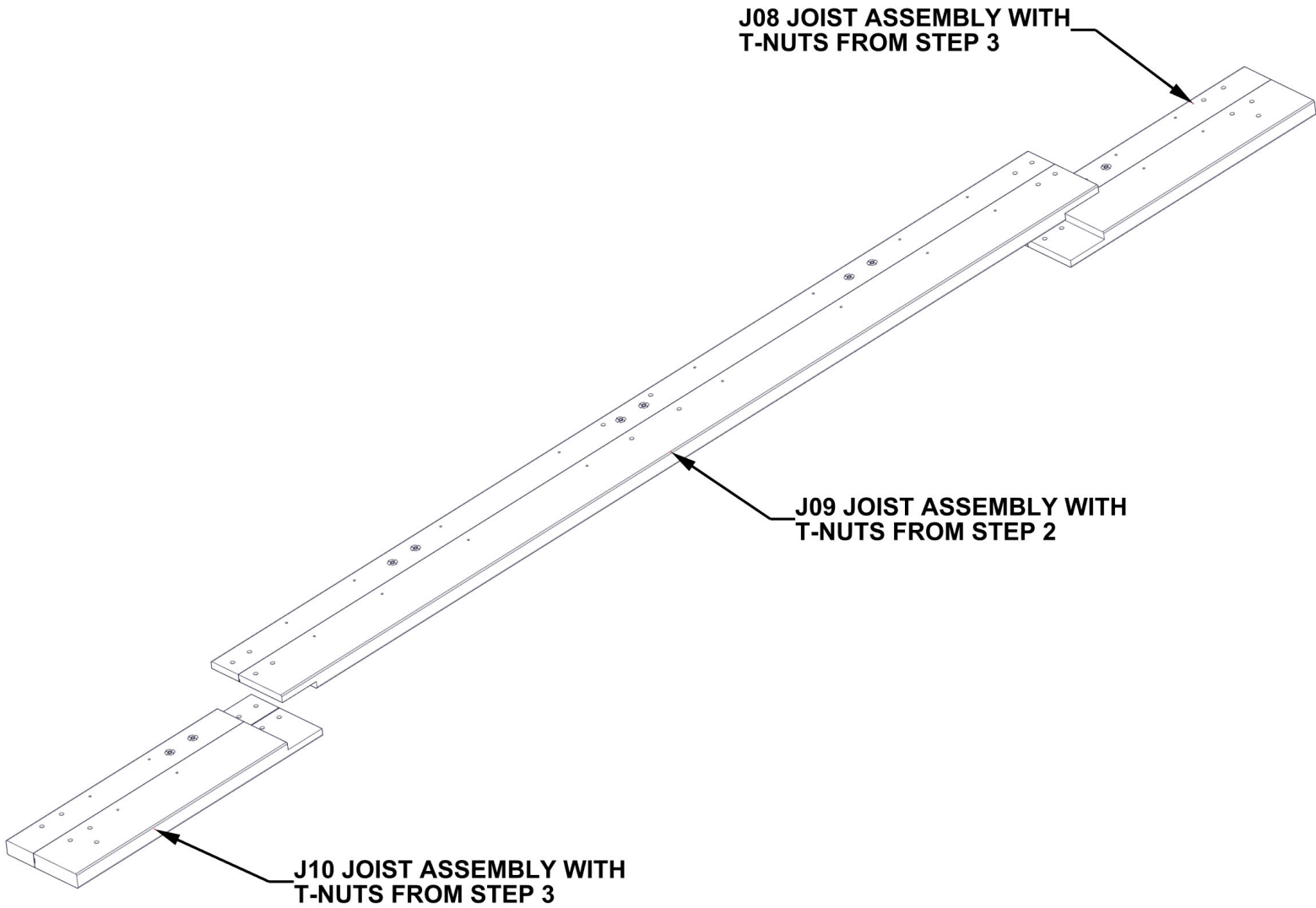
**J10 JOIST ASSEMBLY WITH
T-NUTS FROM STEP 3**



**J08 JOIST ASSEMBLY WITH
T-NUTS FROM STEP 3**

NOTES:

- POSITION JOIST ASSEMBLIES AS SHOWN BELOW.
- ALL T-NUTS WILL BE ON THE SAME SIDE AND IN-LINE.



STEP 4B - REAR ASSEMBLY

Qty	PART NUMBER	DESCRIPTION
12	H100198	WASHER LOCK EXT 8x19
4	H100205	BOLT WH 5/16x2 1/4 BLK
12	H100379	TNUT-5/16" BLK
8	H100503	BOLT WH 5/16x3 1/2 BLK

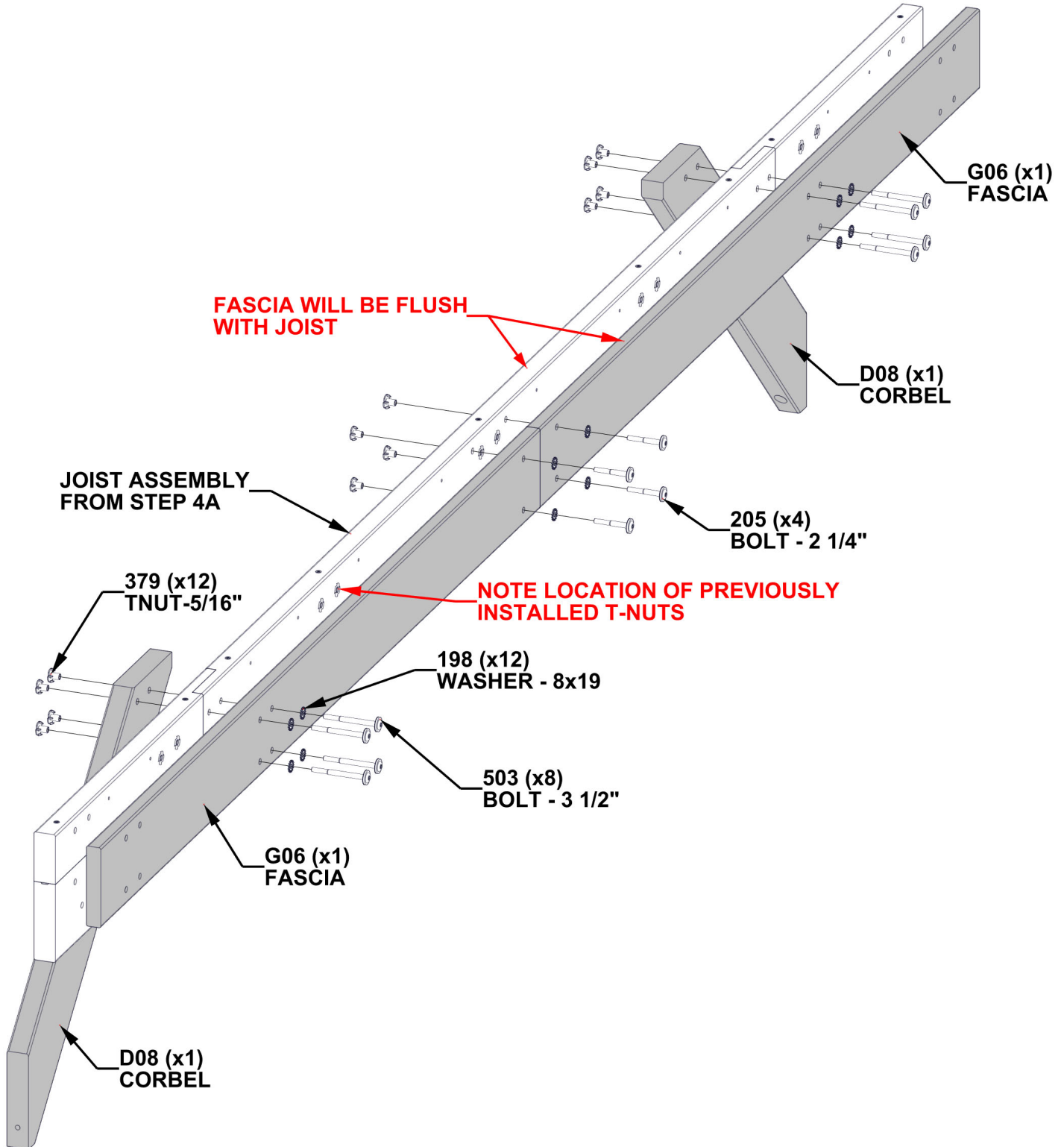


D08 CORBEL - W4L17595
(x2) 1 7/16"x5 1/4"x33 5/8" (36x134x854)



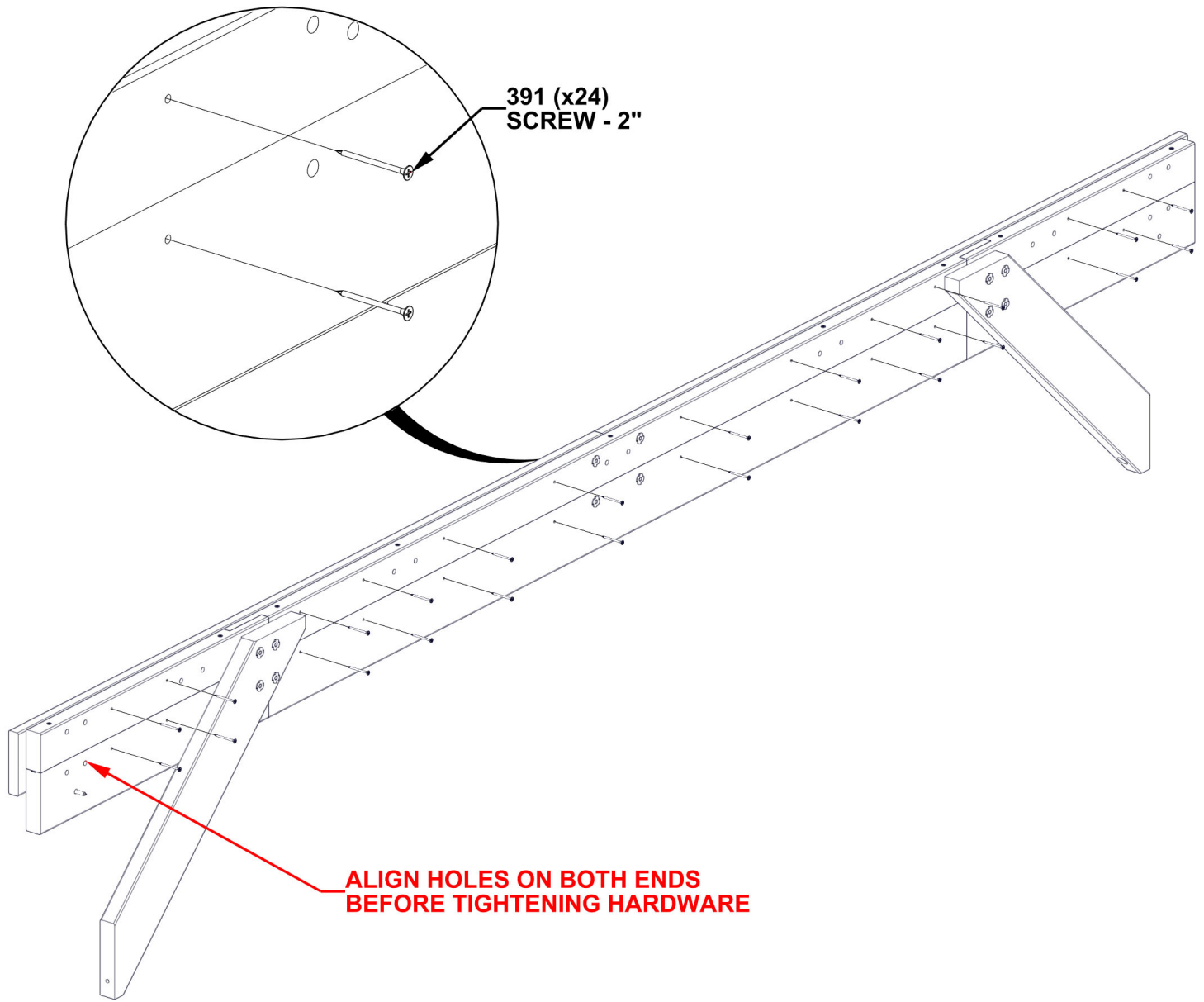
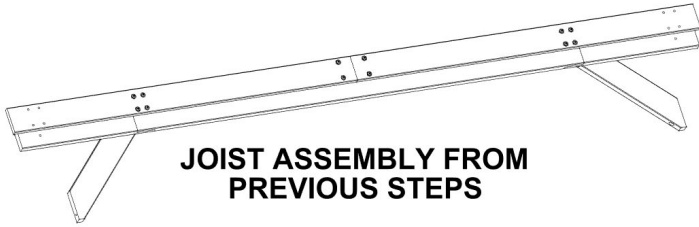
G06 FASCIA - W4L17596
(x2) 15/16"x5 1/4"x72 7/8" (24x134x1851)

INSERT T-NUTS FIRST



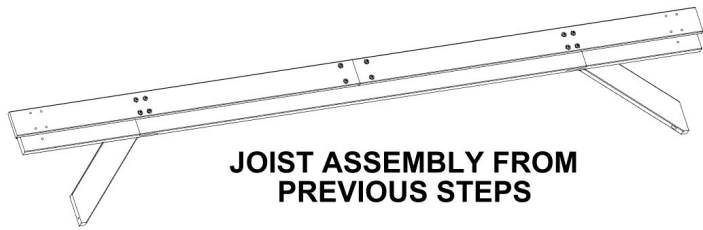
STEP 4C - REAR ASSEMBLY

Qty	PART NUMBER	DESCRIPTION
24	H100391	SCREW PFH 8x2 BLK



STEP 5A - REAR ASSEMBLY

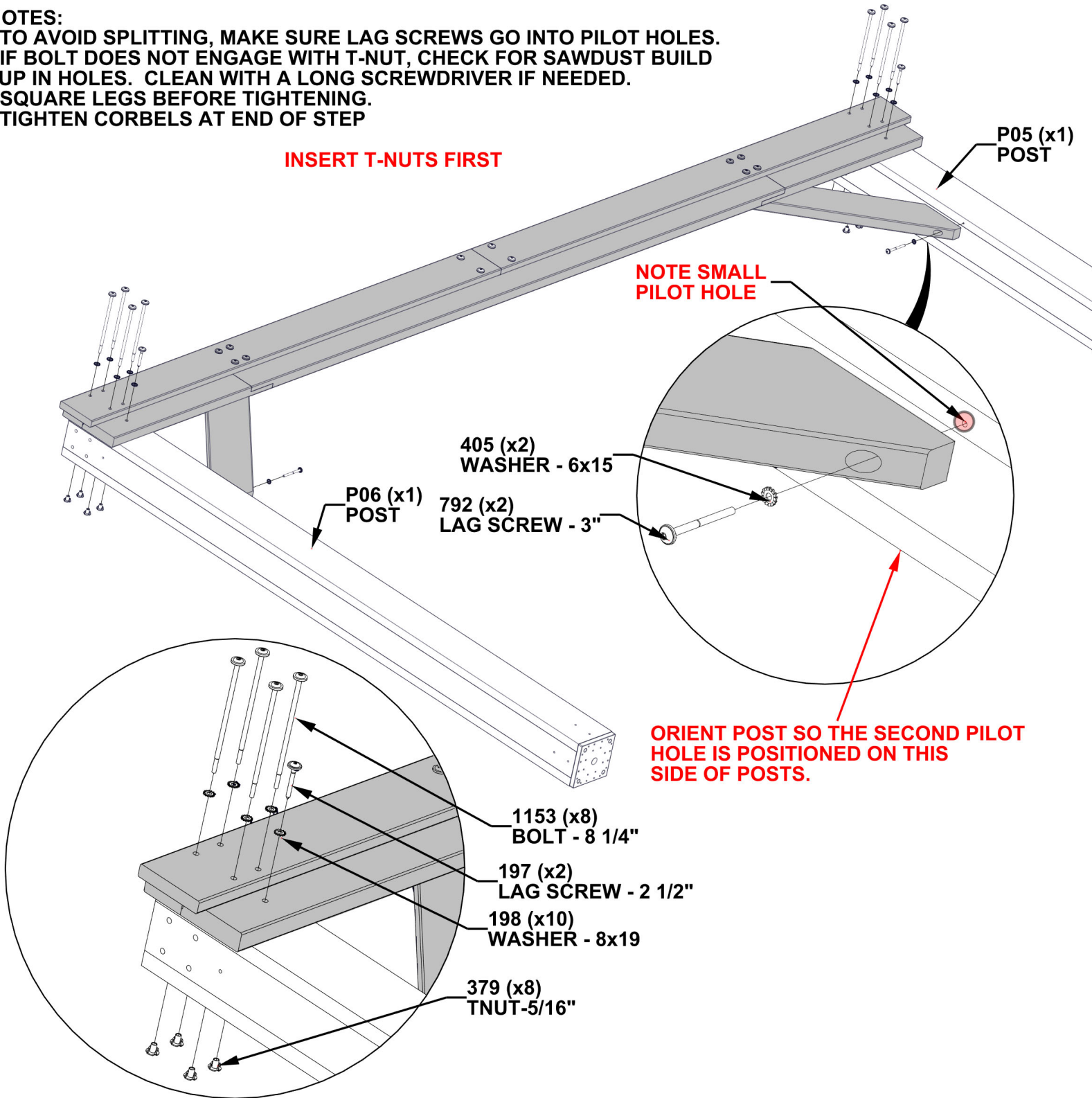
Qty	PART NUMBER	DESCRIPTION
2	H100197	LAG SCREW WH 5/16x2 1/2 BLK
10	H100198	WASHER LOCK EXT 8x19
8	H100379	TNUT-5/16" BLK
2	H100405	WASHER LOCK EXT 6x15
2	H100792	LAG SCREW WH 1/4x3 BLK
8	H101153	BOLT WH 5/16x8 1/4 BLK



JOIST ASSEMBLY FROM PREVIOUS STEPS

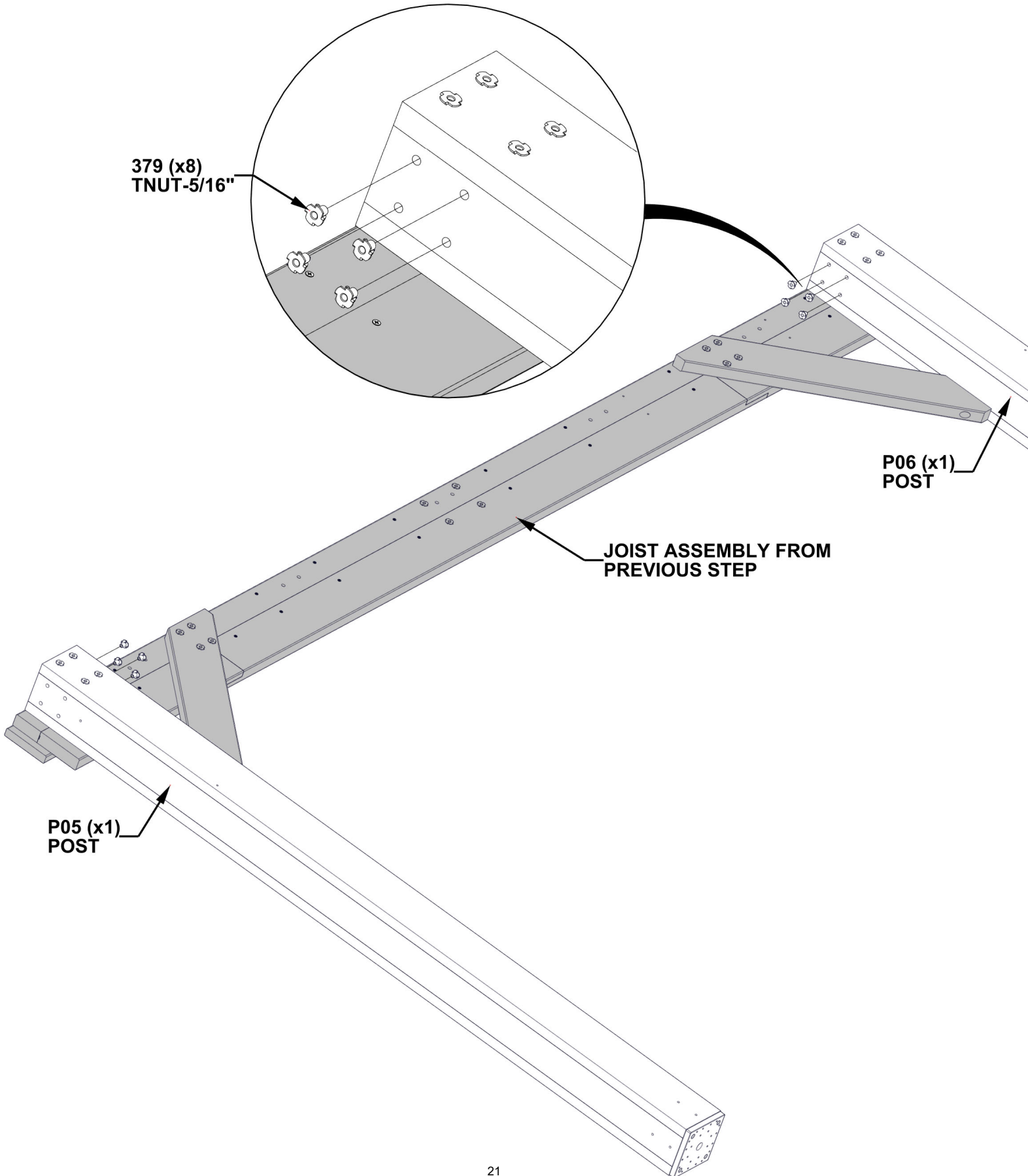
- NOTES:**
- TO AVOID SPLITTING, MAKE SURE LAG SCREWS GO INTO PILOT HOLES.
 - IF BOLT DOES NOT ENGAGE WITH T-NUT, CHECK FOR SAWDUST BUILD UP IN HOLES. CLEAN WITH A LONG SCREWDRIVER IF NEEDED.
 - SQUARE LEGS BEFORE TIGHTENING.
 - TIGHTEN CORBELS AT END OF STEP

INSERT T-NUTS FIRST



STEP 5B - REAR ASSEMBLY

Qty	PART NUMBER	DESCRIPTION
8	H100379	TNUT-5/16" BLK



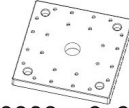
SET REAR ASSEMBLY TO THE SIDE

STEP 6 - CENTER ASSEMBLY

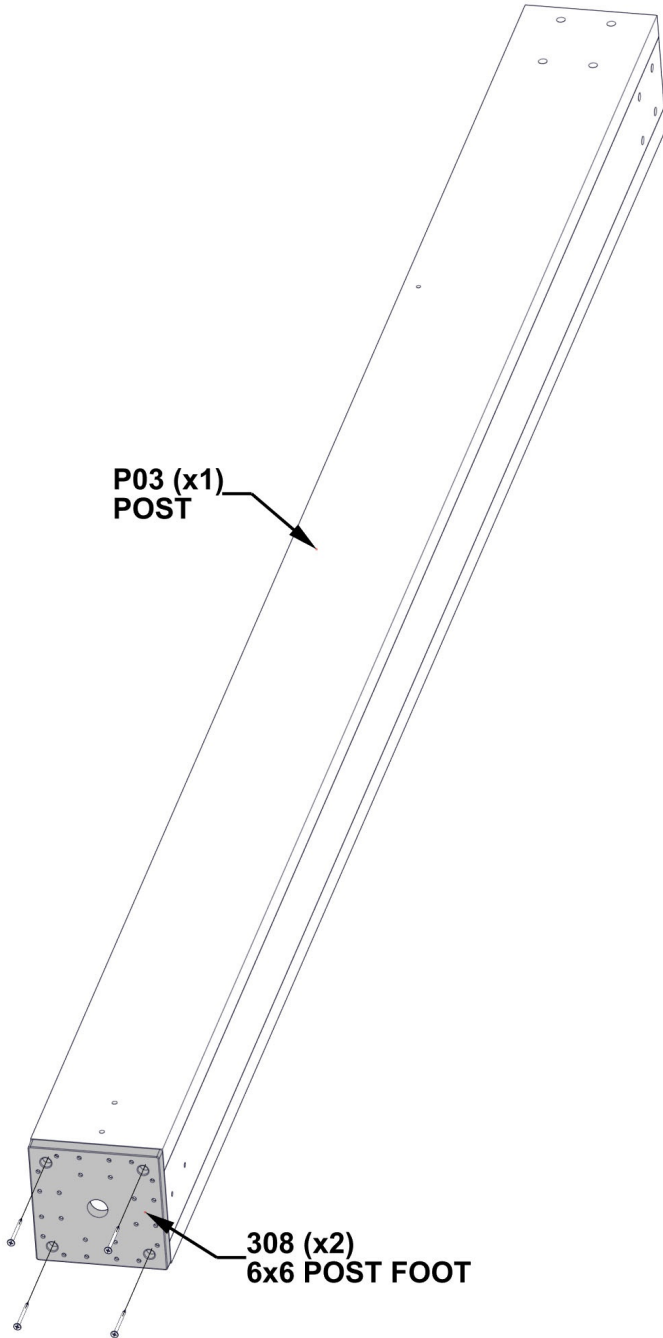
Qty	PART NUMBER	DESCRIPTION
8	H100200	SCREW PFH 8x1 1/2 BLK



P03 POST - W2A03713
(x2) 6"x6"x92 5/16" (152x152x2344)

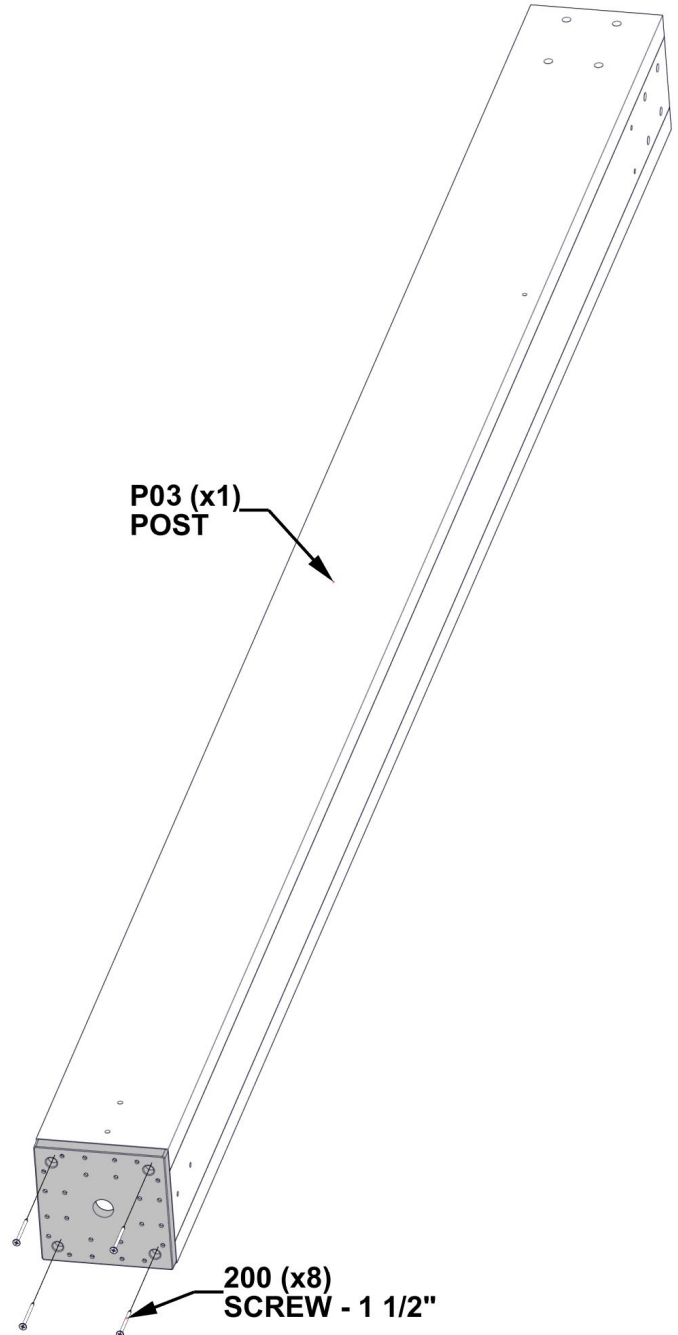


A6P00308 6x6 POST FOOT
(x2)



P03 (x1)
POST

308 (x2)
6x6 POST FOOT



P03 (x1)
POST

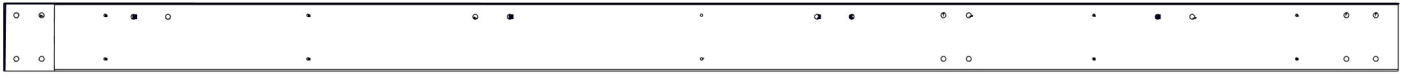
200 (x8)
SCREW - 1 1/2"

STEP 7A - CENTER ASSEMBLY

Qty	PART NUMBER	DESCRIPTION
8	H100198	WASHER LOCK EXT 8x19
8	H100378	BOLT WH 5/16x1 3/4 BLK
8	H100379	T-NUT 5/16 BLK

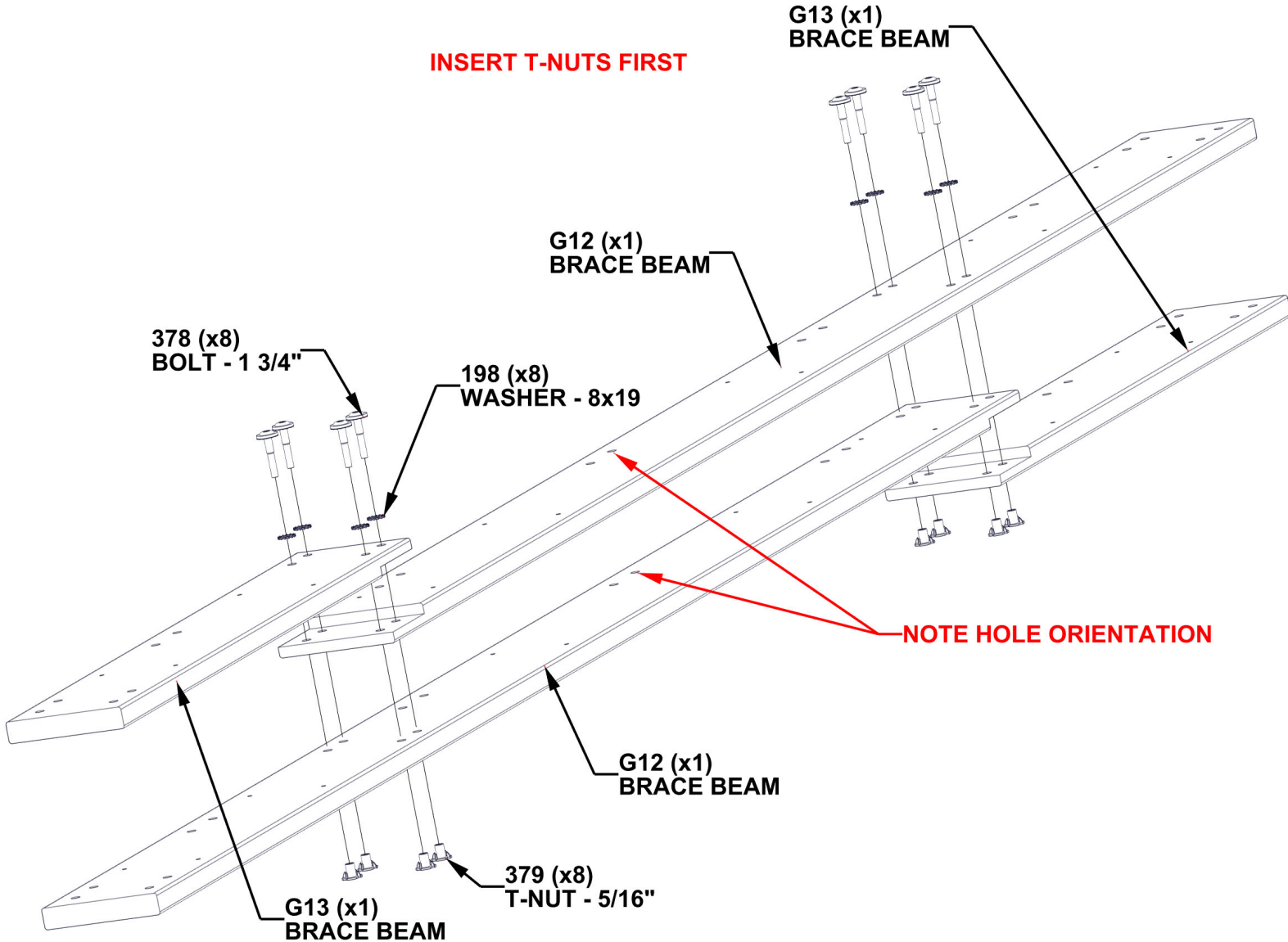


G13 BRACE BEAM - W4L17603
(x2) 15/16"x5 1/4"x36 3/8" (24x134x924)



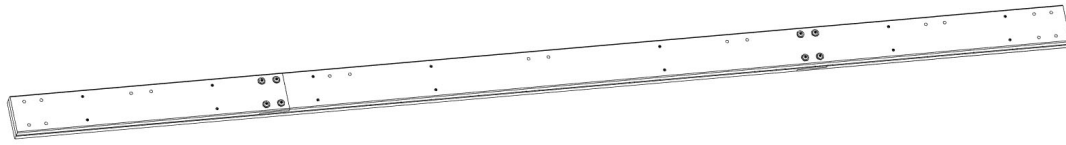
G12 BRACE BEAM - W4L17602
(x2) 15/16"x5 1/4"x108 3/8" (24x134x2752)

HAND TIGHTEN ONLY



STEP 7B - CENTER ASSEMBLY

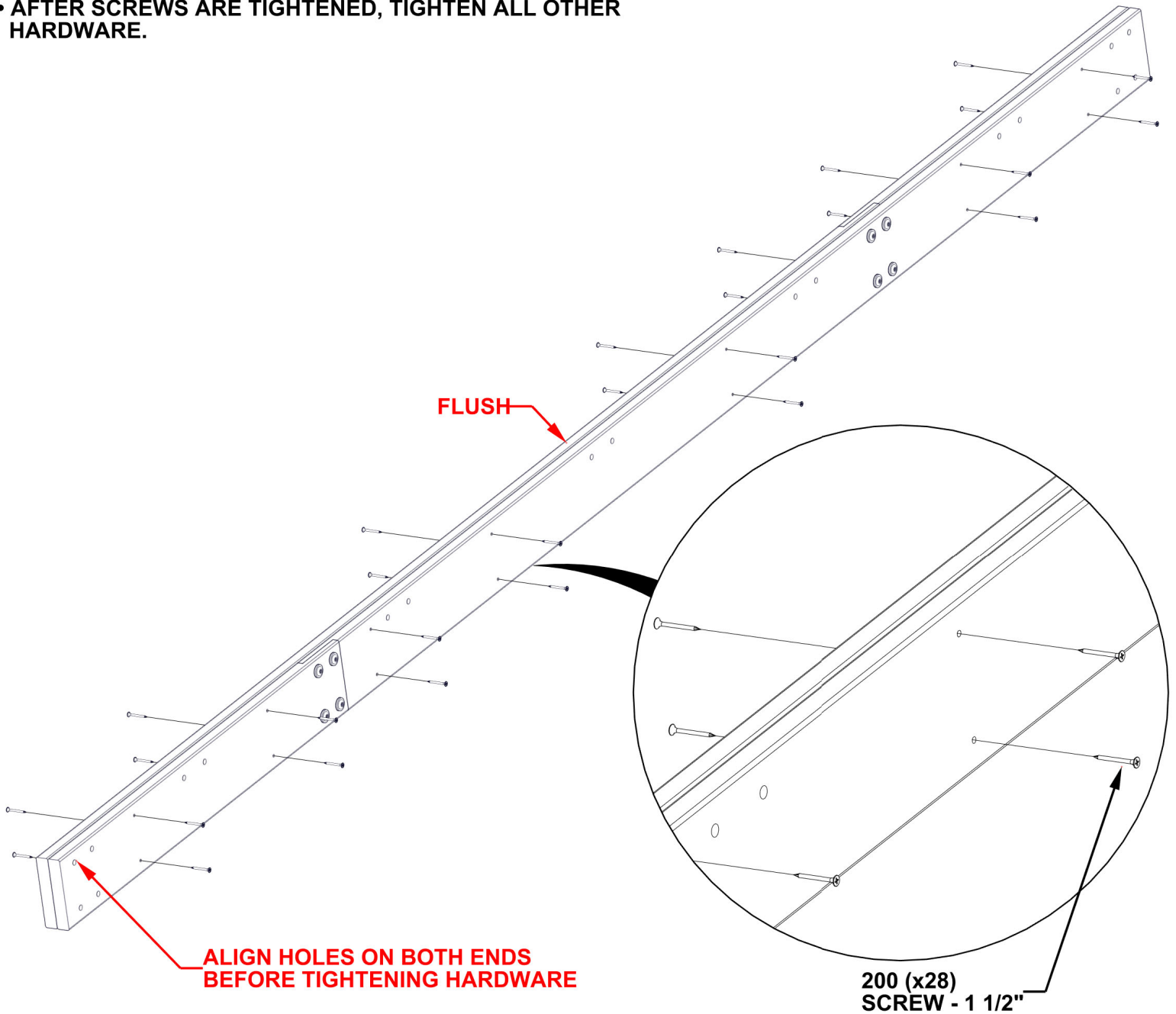
Qty	PART NUMBER	DESCRIPTION
28	H100200	SCREW PFH 8x1 1/2 BLK



**BEAM ASSEMBLY FROM
PREVIOUS STEP**

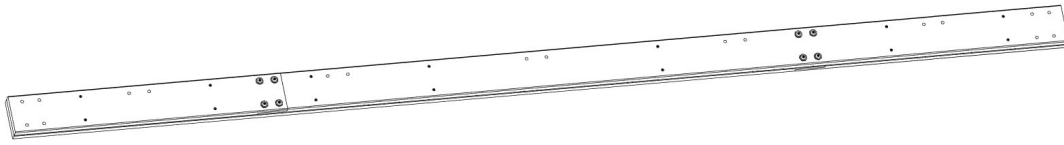
NOTES:

- BEFORE ATTACHING SCREWS, MAKE SURE ALL BOARDS ARE FLUSH AT TOP, SIDES, & BOTTOMS.
- AFTER SCREWS ARE TIGHTENED, TIGHTEN ALL OTHER HARDWARE.

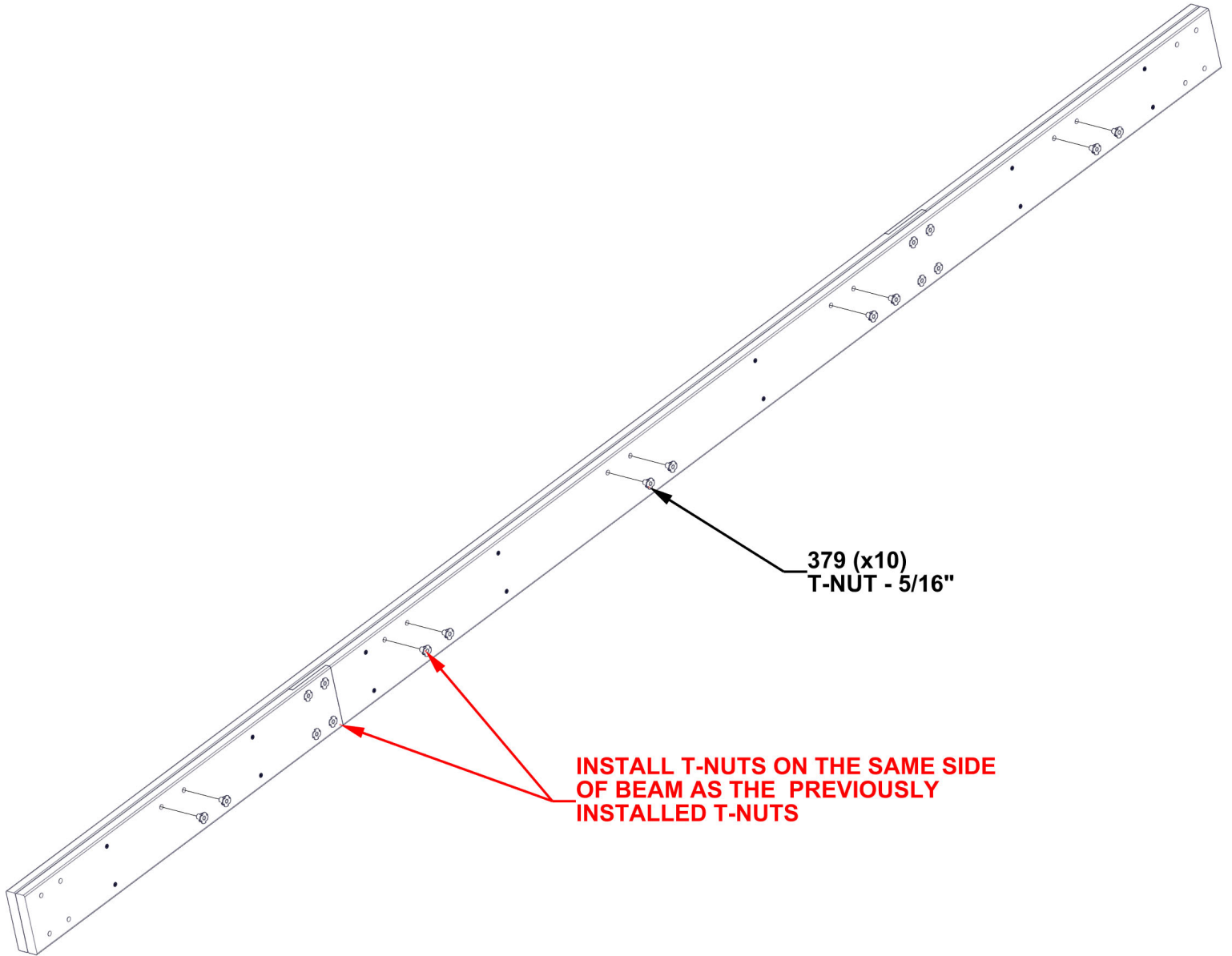


STEP 7C - CENTER ASSEMBLY

Qty	PART NUMBER	DESCRIPTION
10	H100379	T-NUT 5/16 BLK



**BEAM ASSEMBLY FROM
PREVIOUS STEPS**



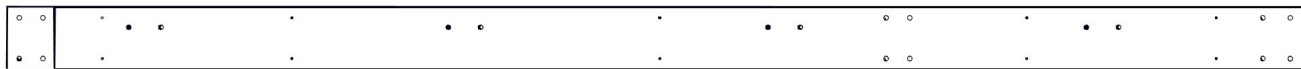
**INSTALL T-NUTS ON THE SAME SIDE
OF BEAM AS THE PREVIOUSLY
INSTALLED T-NUTS**

STEP 8A - CENTER ASSEMBLY



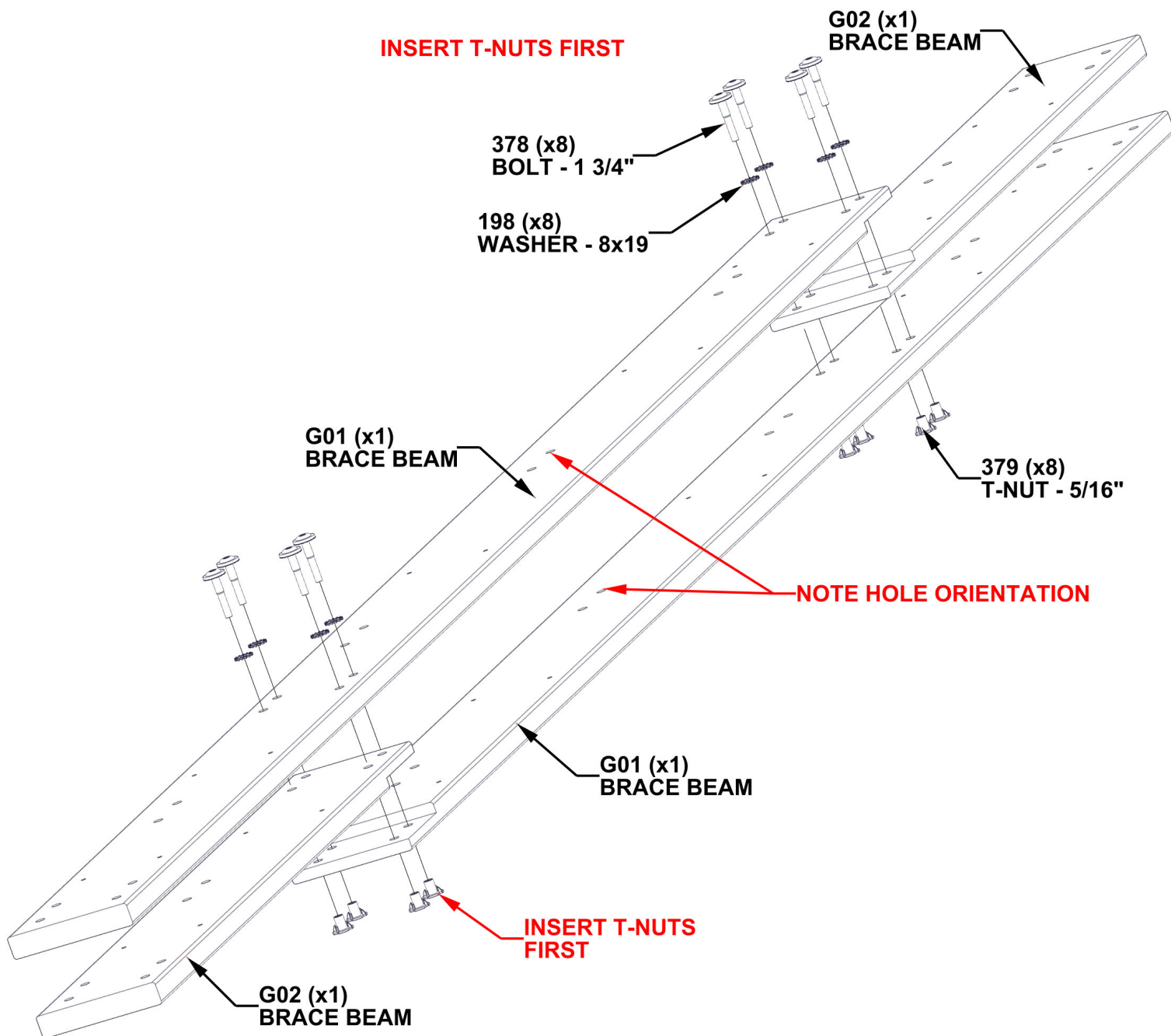
G02 BRACE BEAM - W4L17585
(x2) 15/16"x5 1/4"x36 3/8" (24x134x924)

Qty	PART NUMBER	DESCRIPTION
8	H100198	WASHER LOCK EXT 8x19
8	H100378	BOLT WH 5/16x1 3/4 BLK
8	H100379	T-NUT 5/16 BLK



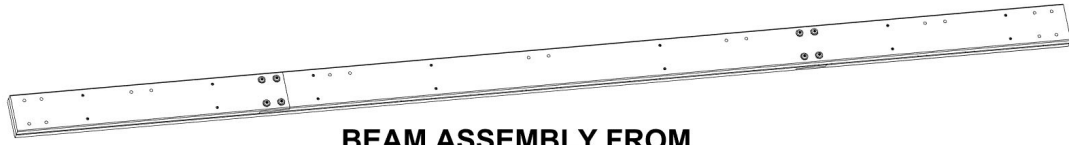
G01 BRACE BEAM - W4L17584
(x2) 15/16"x5 1/4"x108 3/8" (24x134x2752)

HAND TIGHTEN ONLY



STEP 8B - CENTER ASSEMBLY

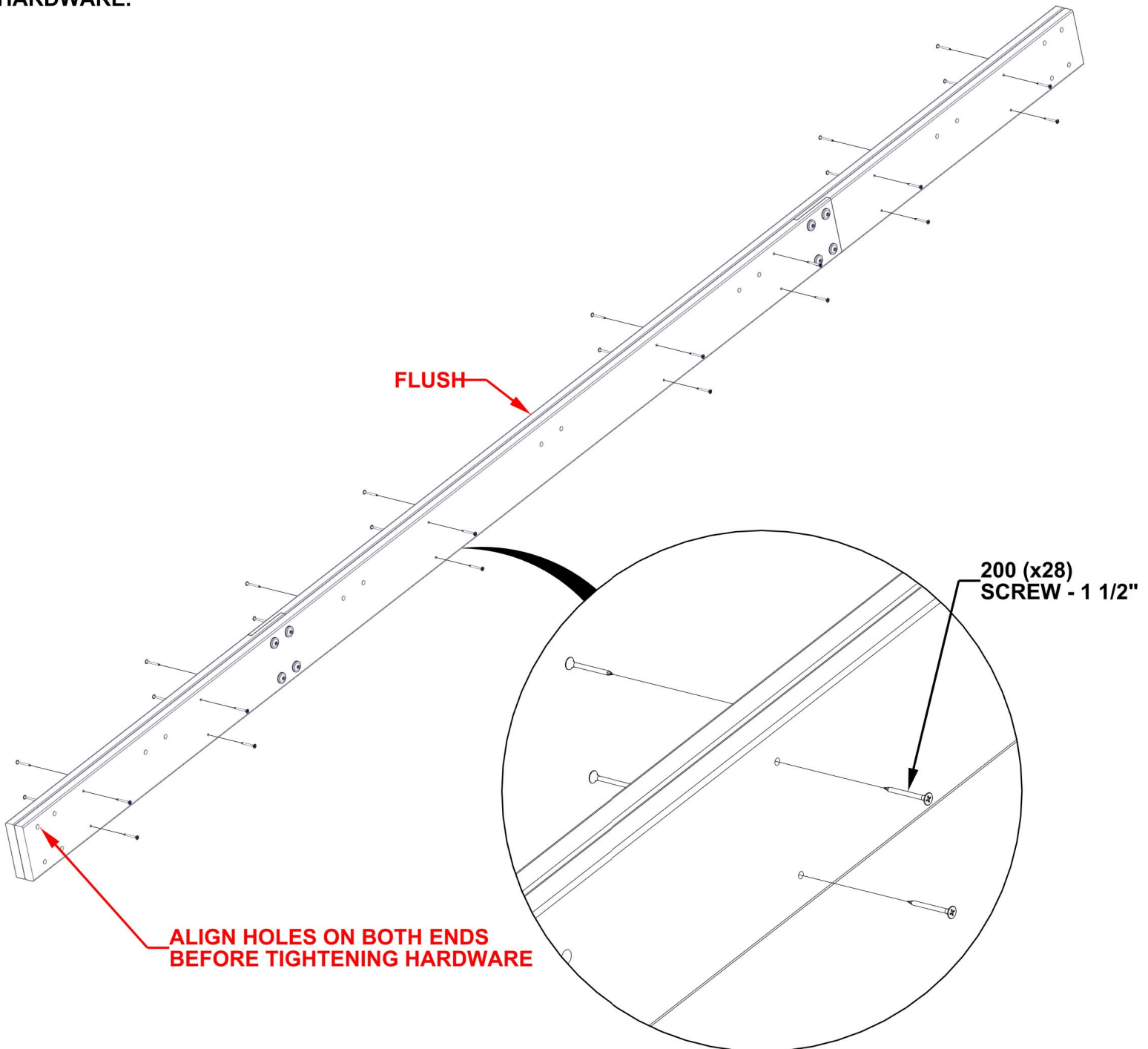
Qty	PART NUMBER	DESCRIPTION
28	H100200	SCREW PFH 8x1 1/2 BLK



BEAM ASSEMBLY FROM PREVIOUS STEPS

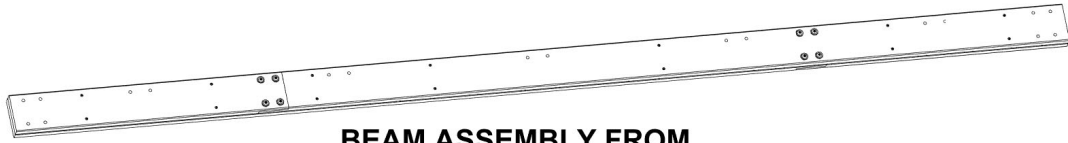
NOTES:

- BEFORE ATTACHING SCREWS, MAKE SURE ALL BOARDS ARE FLUSH AT TOP, SIDES, & BOTTOMS.
- AFTER SCREWS ARE TIGHTENED, TIGHTEN ALL OTHER HARDWARE.

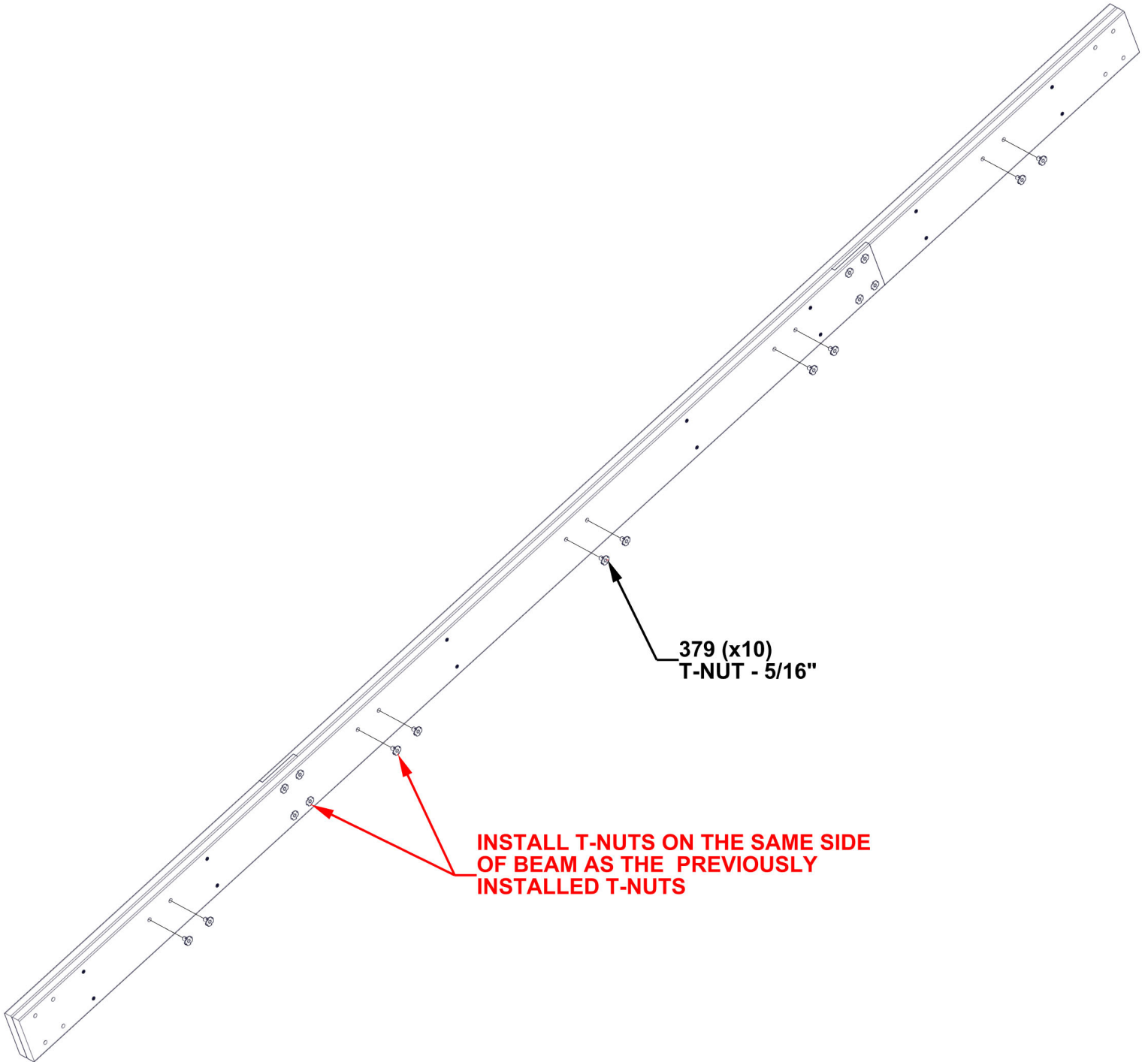


STEP 8C - CENTER ASSEMBLY

Qty	PART NUMBER	DESCRIPTION
10	H100379	T-NUT 5/16 BLK



**BEAM ASSEMBLY FROM
PREVIOUS STEPS**



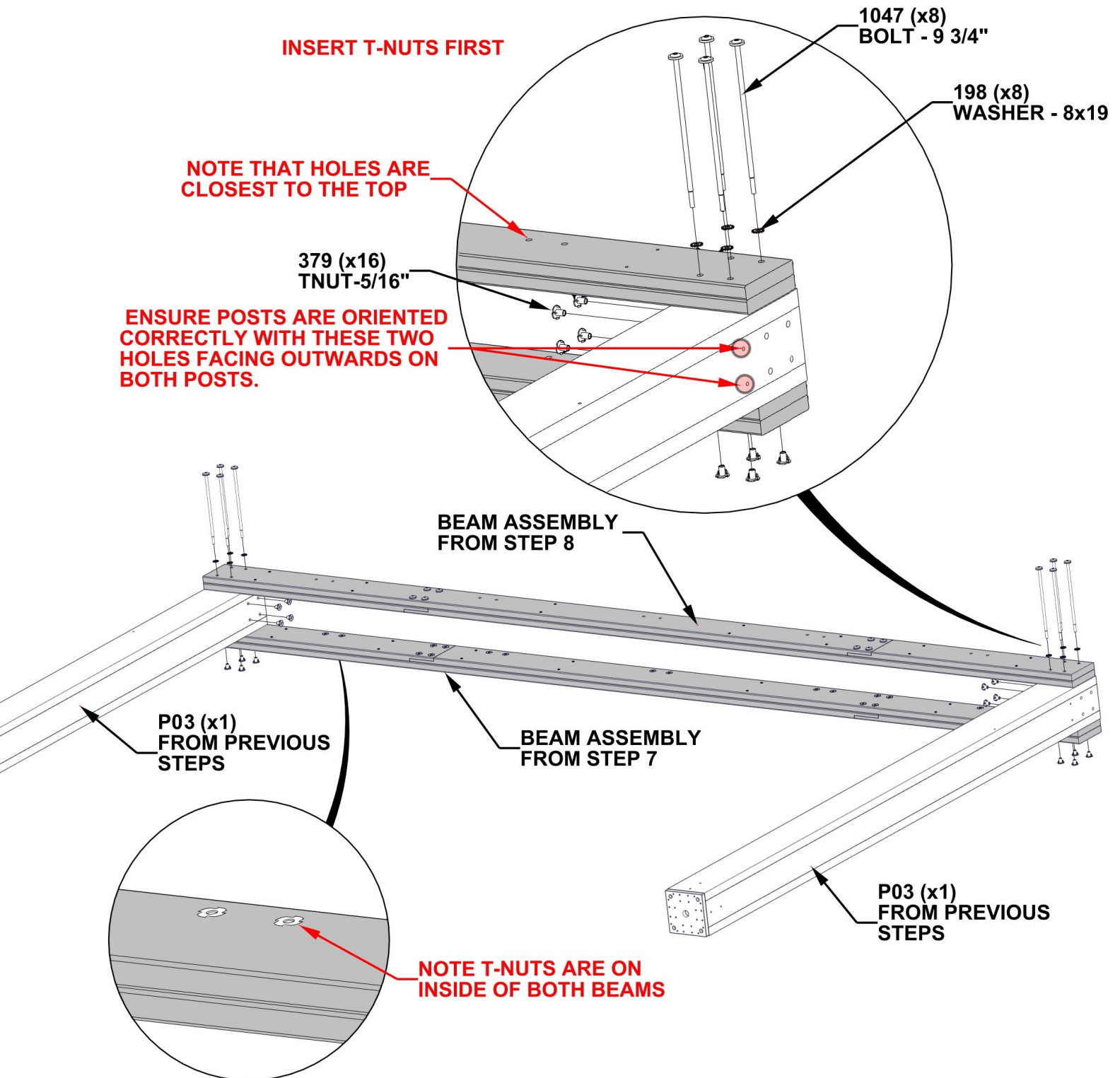
**INSTALL T-NUTS ON THE SAME SIDE
OF BEAM AS THE PREVIOUSLY
INSTALLED T-NUTS**

STEP 9 - CENTER ASSEMBLY

Qty	PART NUMBER	DESCRIPTION
8	H100198	WASHER LOCK EXT 8x19
16	H100379	TNUT-5/16" BLK
8	H101047	BOLT WH 5/16x9 3/4 BLK



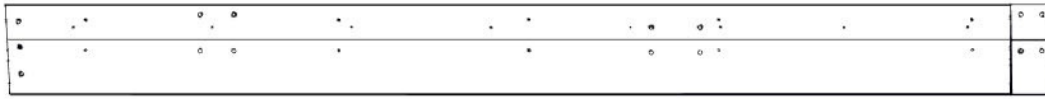
BEAM ASSEMBLIES FROM PREVIOUS STEPS (X2)



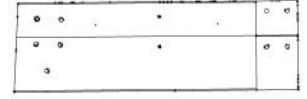
SET CENTER ASSEMBLY TO THE SIDE

STEP 10 - LEFT JOIST ASSEMBLY

Qty	Part Number	Description
4	H100379	TNUT-5/16" BLK



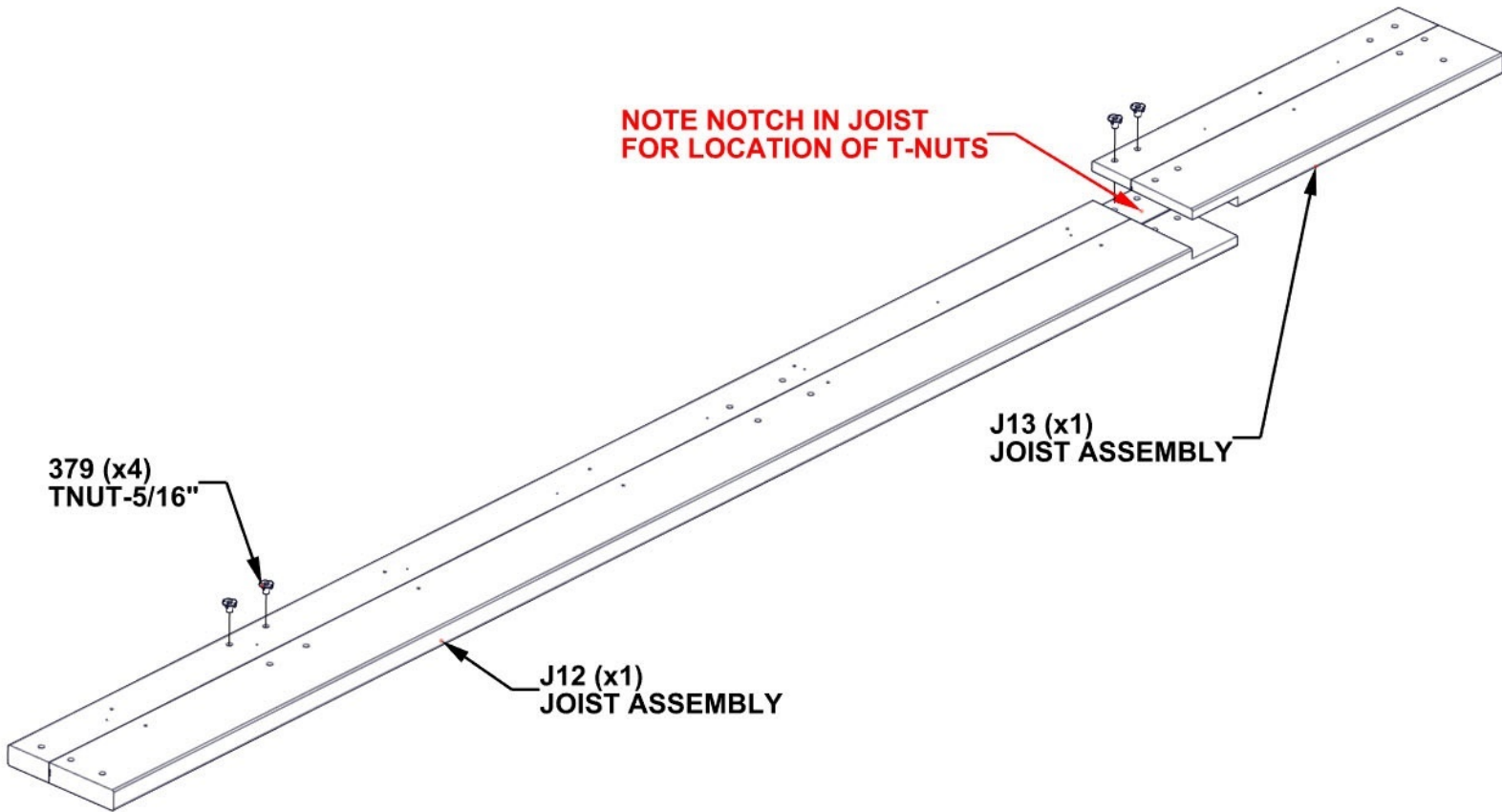
J12 JOIST ASSEMBLY - W2A03729
(x1) 1 7/16"x8 7/16"x97 11/16" (36x214x2481)



J13 JOIST ASSEMBLY - W2A03730
(x1) 1 7/16"x8 7/16"x26 7/8" (36x214x682)

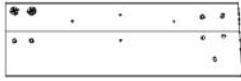
NOTES:

- POSITION JOIST ASSEMBLIES AS SHOWN BELOW.
- ADD T-NUTS IN THE TOP TWO HOLES AS SHOWN.
- NOTE NOTCH DIRECTION IN ASSEMBLIES FOR T-NUT LOCATION.



STEP 11A - LEFT JOIST ASSEMBLY

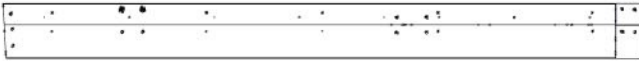
Qty	Part Number	Description
4	H100198	WASHER LOCK EXT 8x19
4	H100205	BOLT WH 5/16x2 1/4 BLK



JOIST ASSEMBLY WITH T-NUTS FROM STEP 10



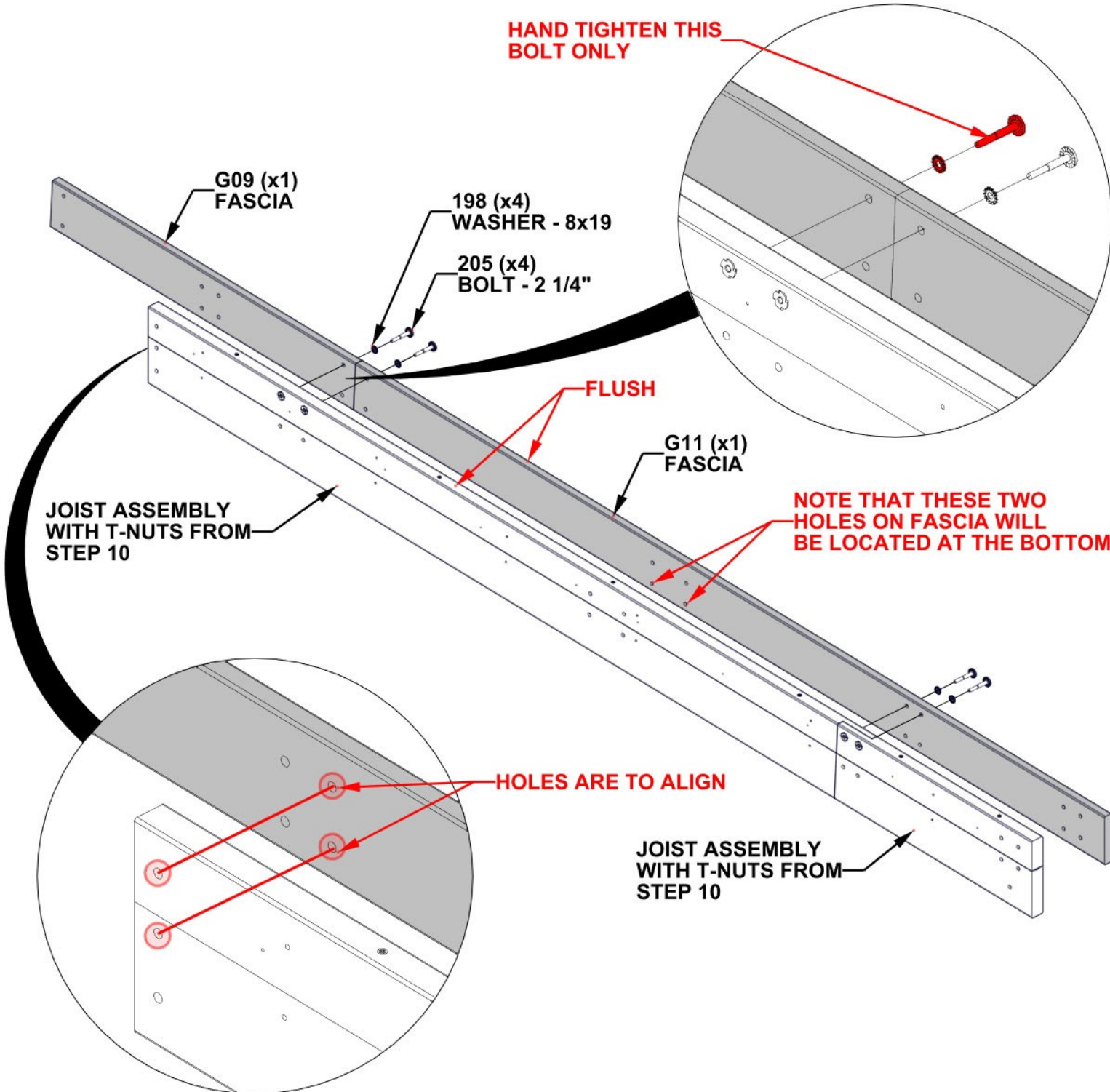
G11 FASCIA - W4L17601
(x1) 15/16"x5 1/4"x102 1/8" (24x134x2594)



JOIST ASSEMBLY WITH T-NUTS FROM STEP 10

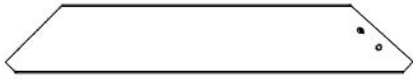


G09 FASCIA - W4L17599
(x1) 24x5 1/4"x41 3/16" (24x134x1046)



STEP 11B - LEFT JOIST ASSEMBLY

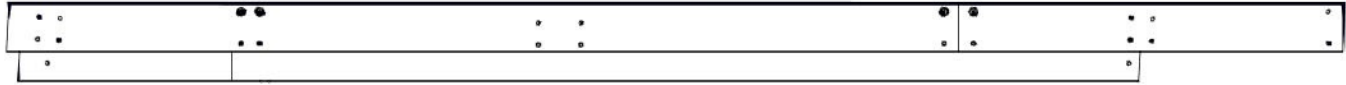
Qty	Part Number	Description
4	H100198	WASHER LOCK EXT 8x19
4	H100379	TNUT-5/16" BLK
4	H100503	BOLT WH 5/16x3 1/2 BLK



D04 CORBEL - W4L17582
(x1) 1 3/8"x5 1/4"x28 1/8" (36x134x713)



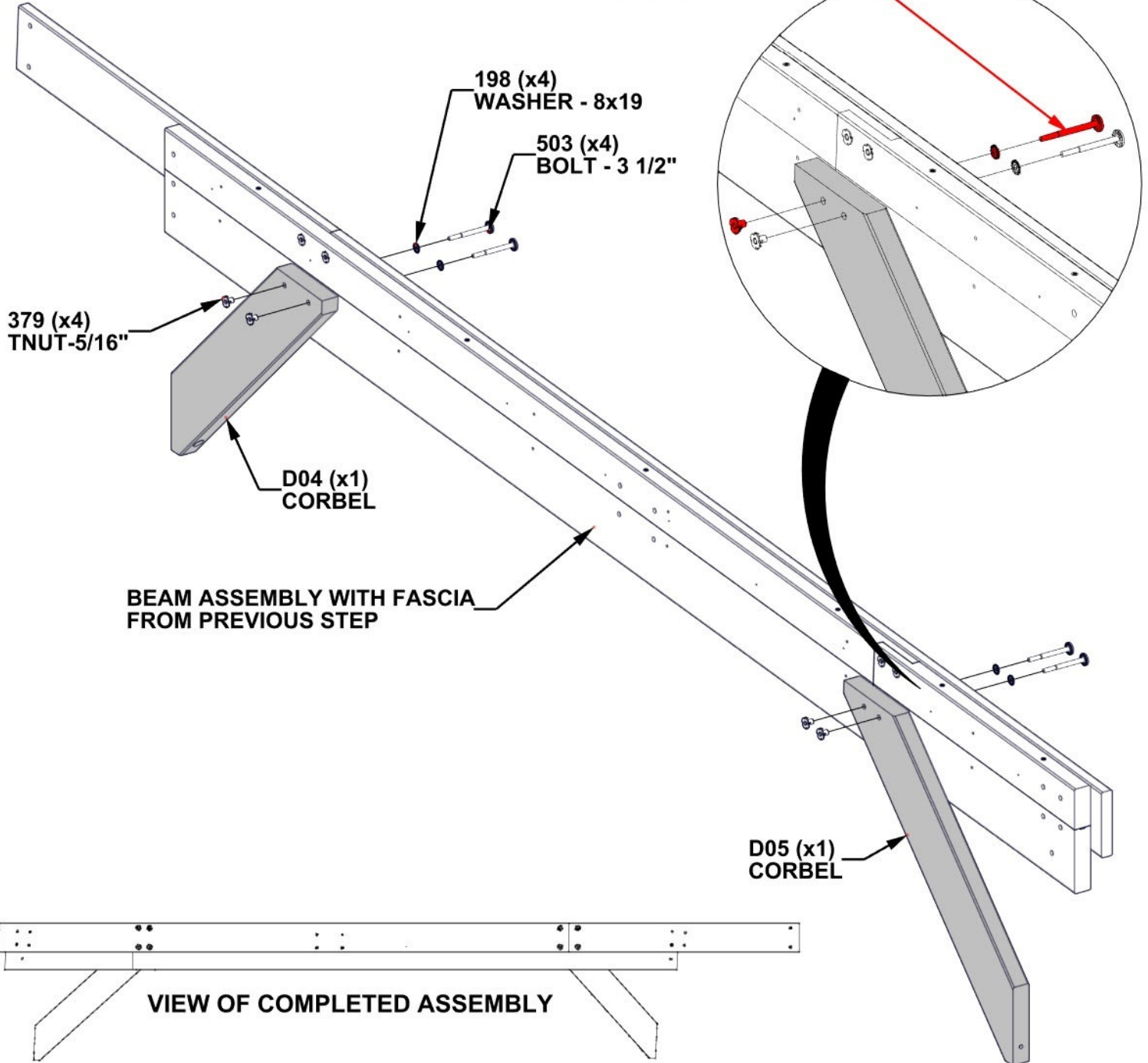
D05 CORBEL - W4L17583
(x1) 1 3/8"x5 1/4"x31 1/2" (36x134x801)



BEAM ASSEMBLY WITH FASCIA
FROM PREVIOUS STEP

INSERT T-NUTS FIRST

**HAND TIGHTEN THIS
BOLT ONLY**



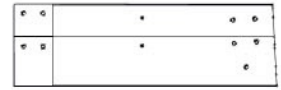
**SET LEFT JOIST ASSEMBLY
TO THE SIDE**

STEP 12 - RIGHT JOIST ASSEMBLY

Qty	Part Number	Description
4	H100379	TNUT-5/16" BLK



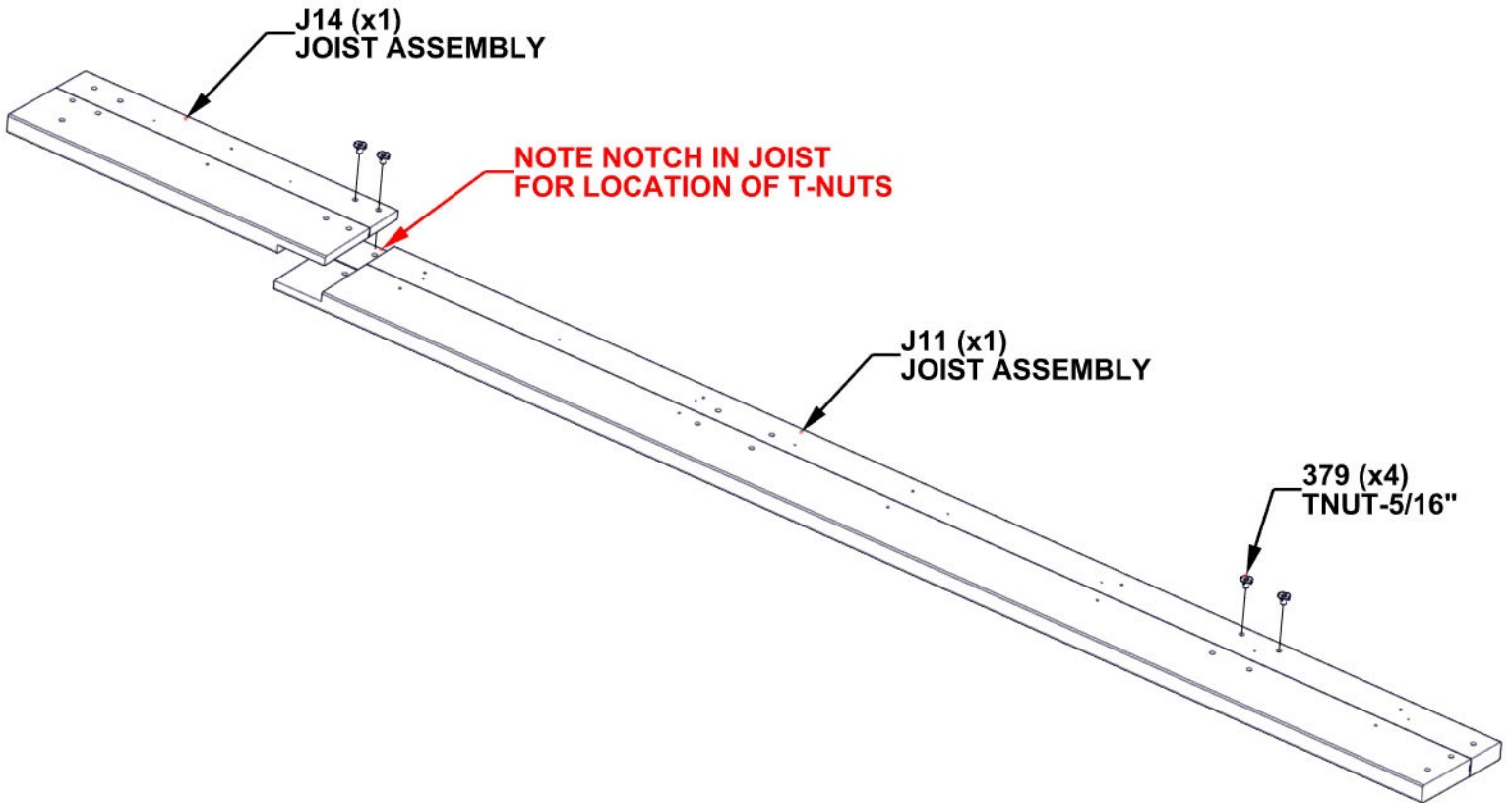
J11 JOIST ASSEMBLY - W2A03728
(x1) 36X8 7/16"X97 11/16" (36x214x2481)



J14 JOIST ASSEMBLY - W2A03731
(x1) 1 7/16"x8 7/16"x26 7/8" (36x214x682)

NOTES:

- POSITION JOIST ASSEMBLIES AS SHOWN BELOW.
- ADD T-NUTS IN THE TOP TWO HOLES AS SHOWN.
- NOTE NOTCH DIRECTION IN ASSEMBLIES FOR T-NUT LOCATION.



STEP 13A - RIGHT JOIST ASSEMBLY

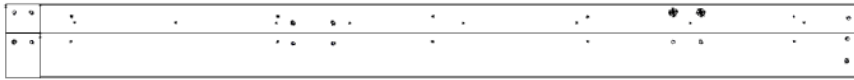
Qty	Part Number	Description
4	H100198	WASHER LOCK EXT 8x19
4	H100205	BOLT WH 5/16x2 1/4 BLK



JOIST ASSEMBLY WITH T-NUTS FROM STEP 12



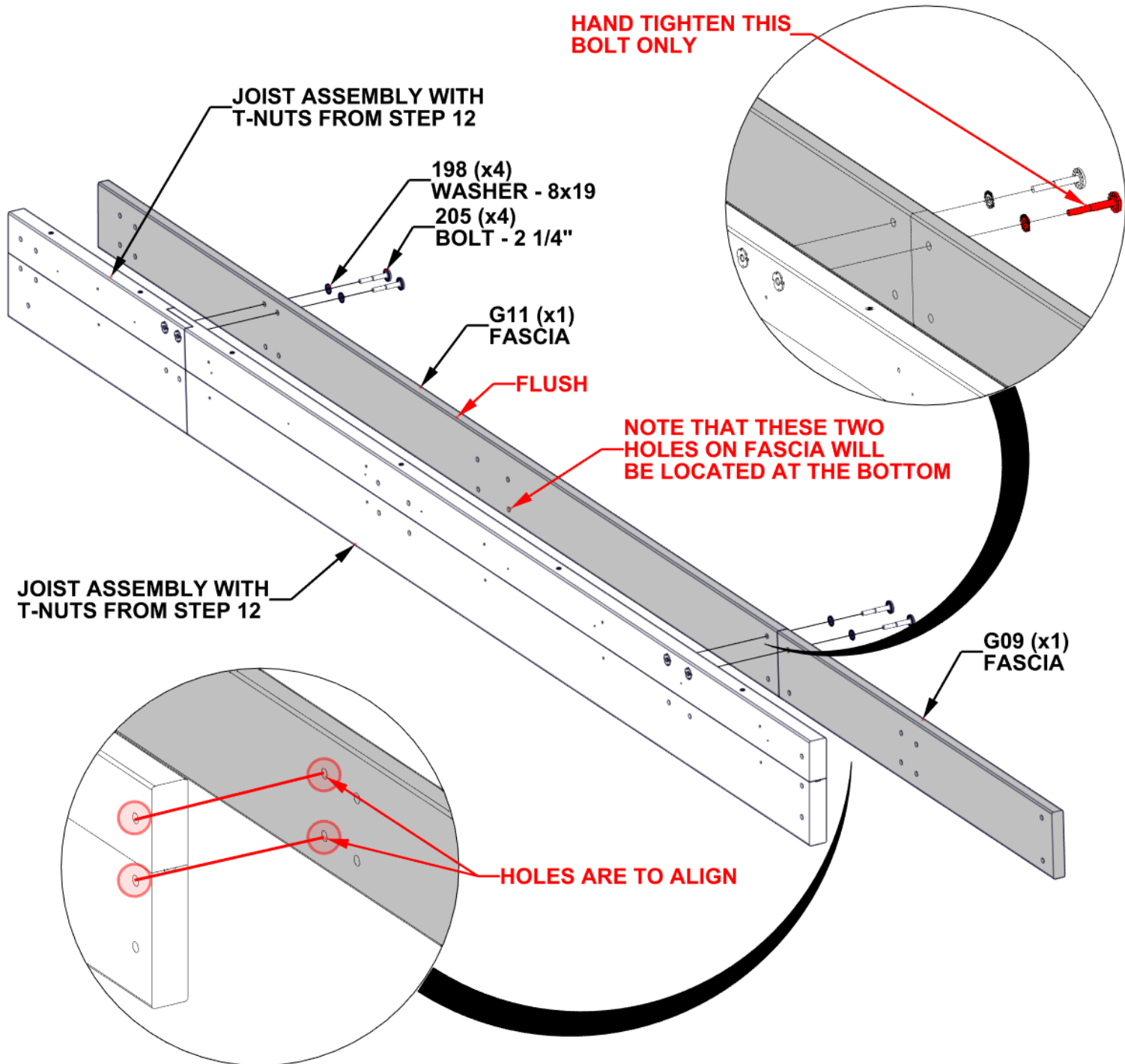
G11 FASCIA - W4L17601 (x1) 15/16"x5 1/4"x102 1/8" (24x134x2594)



JOIST ASSEMBLY WITH T-NUTS FROM STEP 12



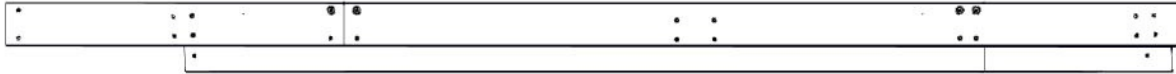
G09 FASCIA - W4L17599 (x1) 24x5 1/4"x41 3/16" (24x134x1046)



STEP 13B - RIGHT JOIST ASSEMBLY

Qty	Part Number	Description
4	H100198	WASHER LOCK EXT 8x19
4	H100379	TNUT-5/16" BLK
4	H100503	BOLT WH 5/16x3 1/2 BLK

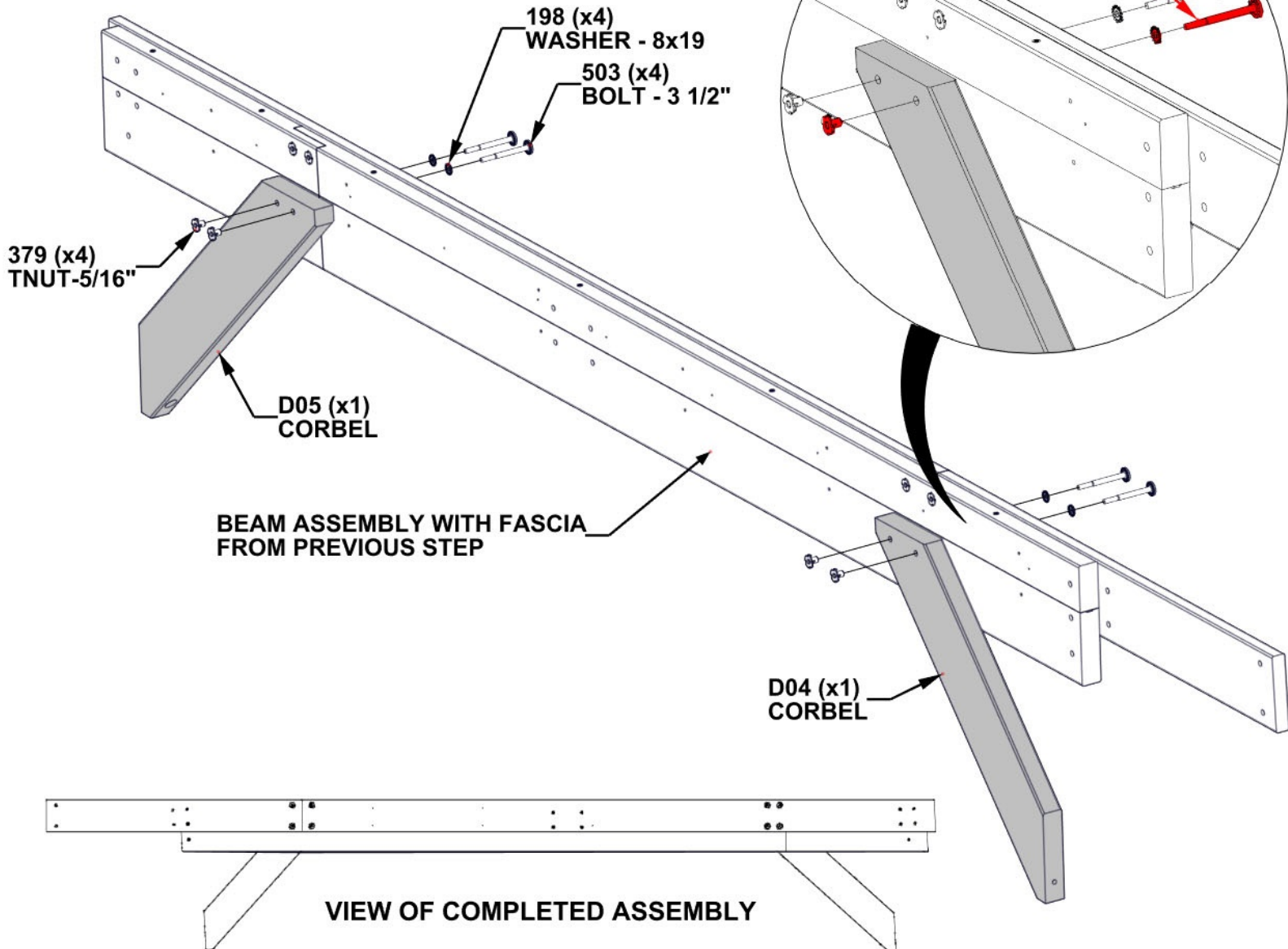
- D04 CORBEL - W4L17582
(x1) 1 3/8"x5 1/4"x28 1/8" (36x134x713)
- D05 CORBEL - W4L17583
(x1) 1 3/8"x5 1/4"x31 1/2" (36x134x801)



BEAM ASSEMBLY WITH FASCIA FROM PREVIOUS STEP

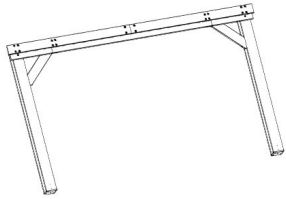
INSERT T-NUTS FIRST

HAND TIGHTEN THIS BOLT ONLY



**SET RIGHT JOIST ASSEMBLY
TO THE SIDE**

STEP 14A - GAZEBO ASSEMBLY



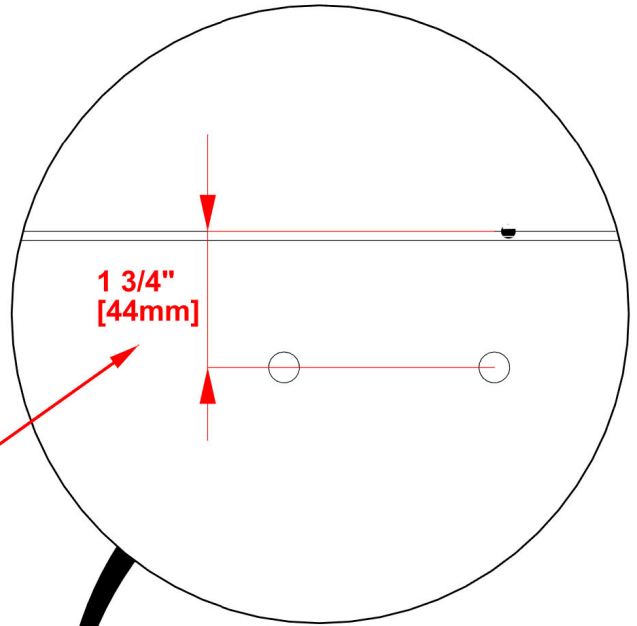
REAR ASSEMBLY FROM PREVIOUS STEPS



CENTER ASSEMBLY FROM PREVIOUS STEPS

NOTE:

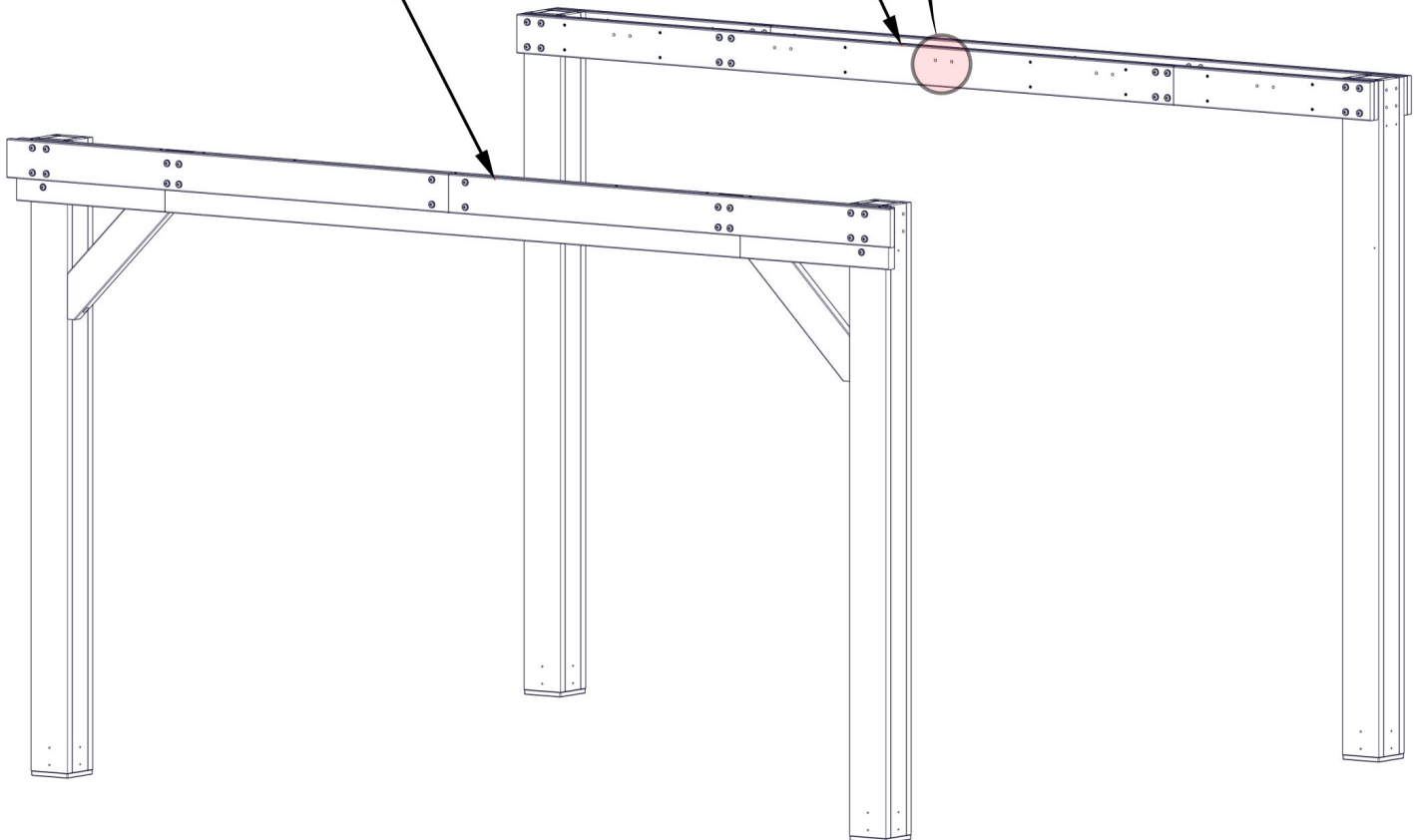
- EXTRA PEOPLE ARE HELPFUL FOR THIS STEP.
- THE FRONT OF THE UNIT IS DETERMINED BY THE TALLER POST.
- STAND BOTH BACK ASSEMBLY AND CENTER ASSEMBLY UPRIGHT.
- NOTE THE DIMENSION SHOWN IS CRITICAL THAT THIS FACES TOWARDS THE BACK OF THE ASSEMBLY



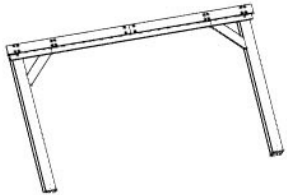
CRITICAL THAT THIS SIDE
FACES TOWARDS THE REAR

CENTER ASSEMBLY
FROM PREVIOUS STEPS

REAR ASSEMBLY
FROM PREVIOUS STEPS



STEP 14B - GAZEBO ASSEMBLY



REAR ASSEMBLY FROM PREVIOUS STEPS



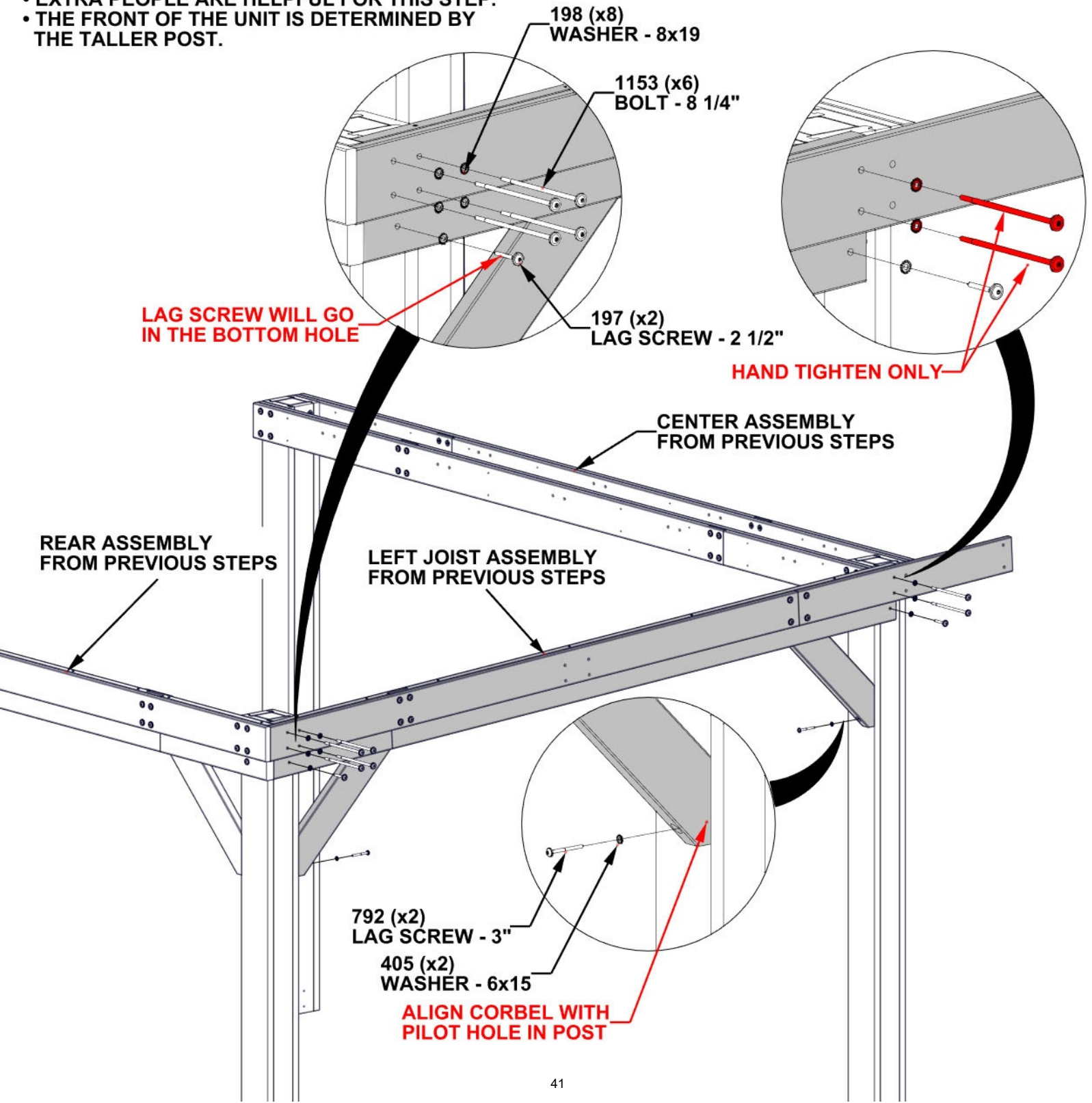
CENTER ASSEMBLY FROM PREVIOUS STEPS

Qty	Part Number	Description
2	H100197	LAG SCREW WH 5/16x2 1/2 BLK
8	H100198	WASHER LOCK EXT 8x19
2	H100405	WASHER LOCK EXT 6x15
2	H100792	LAG SCREW WH 1/4x3 BLK
6	H101153	BOLT WH 5/16x8 1/4 BLK

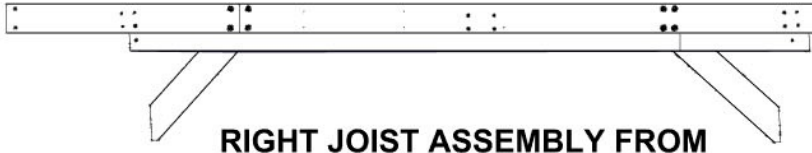


LEFT JOIST ASSEMBLY FROM PREVIOUS STEPS

- NOTE:**
- EXTRA PEOPLE ARE HELPFUL FOR THIS STEP.
 - THE FRONT OF THE UNIT IS DETERMINED BY THE TALLER POST.

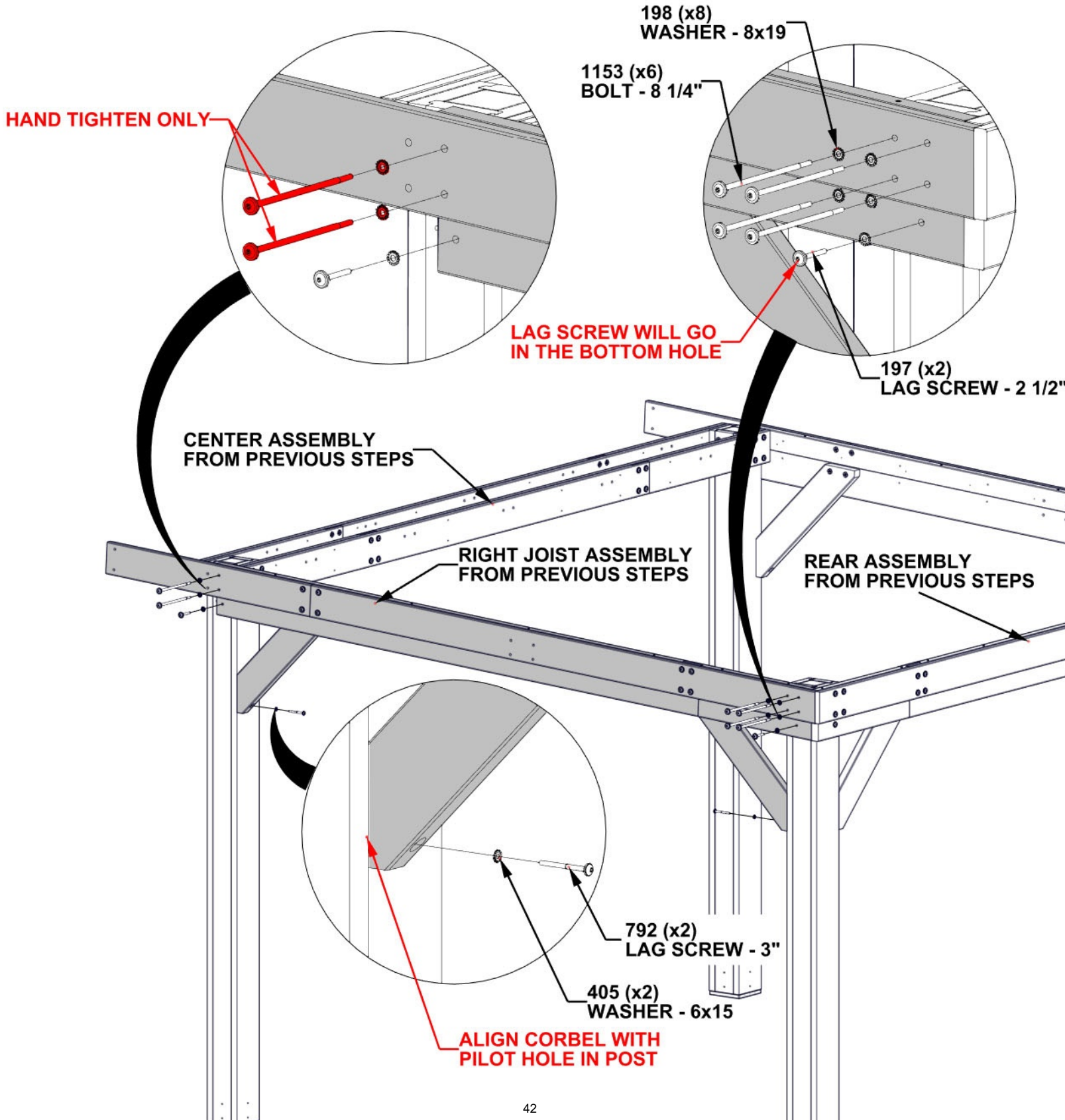


STEP 15 - GAZEBO ASSEMBLY



RIGHT JOIST ASSEMBLY FROM PREVIOUS STEPS

Qty	Part Number	Description
2	H100197	LAG SCREW WH 5/16x2 1/2 BLK
8	H100198	WASHER LOCK EXT 8x19
2	H100405	WASHER LOCK EXT 6x15
2	H100792	LAG SCREW WH 1/4x3 BLK
6	H101153	BOLT WH 5/16x8 1/4 BLK



STEP 16 - FRONT ASSEMBLY

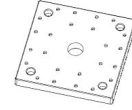
Qty	PART NUMBER	DESCRIPTION
8	H100200	SCREW PFH 8x1 1/2 BLK



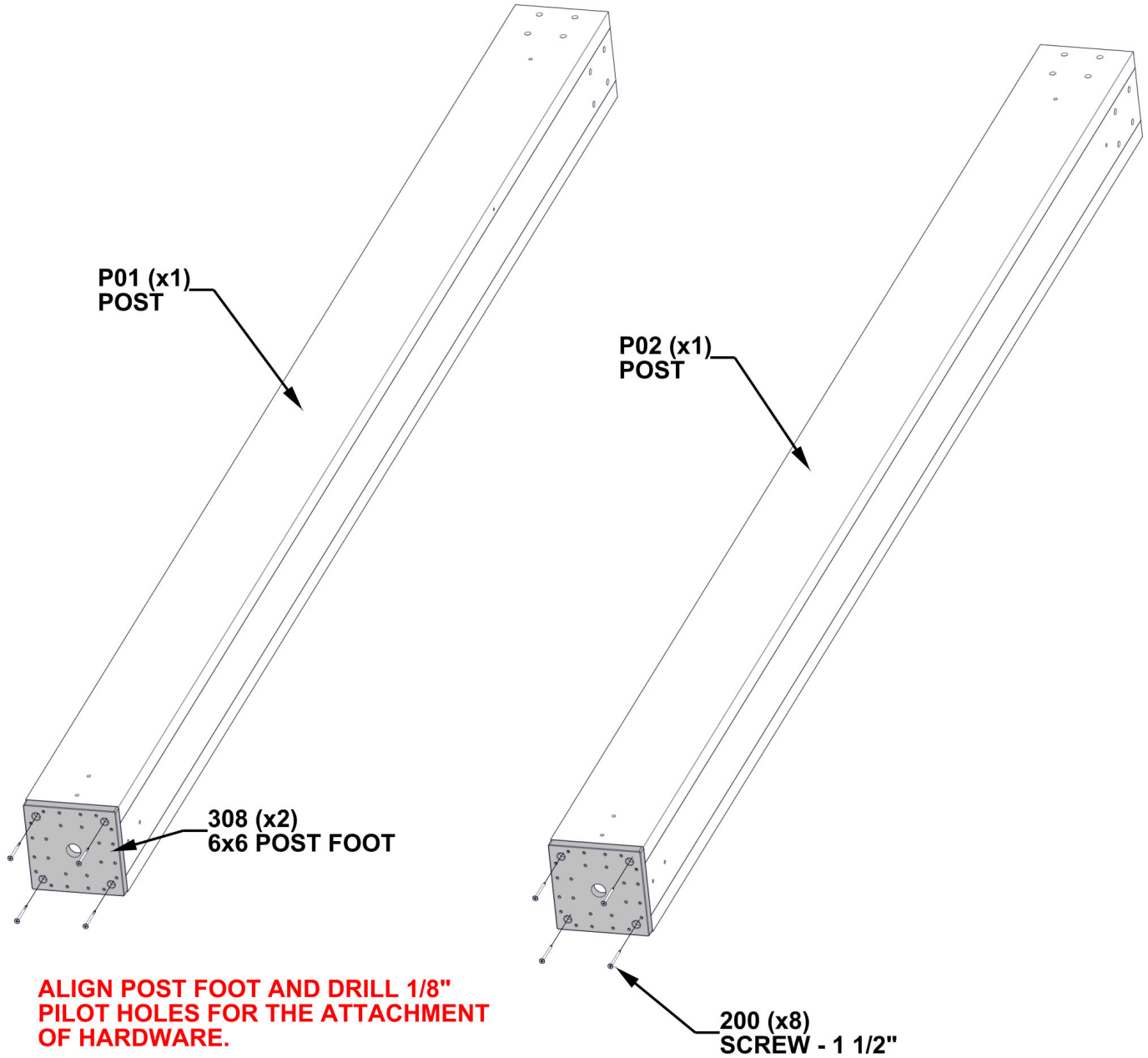
P02 POST - W2A03714
(x1) 6"x6"x98 1/2" (152x152x2502)



P01 POST - W2A03712
(x1) 6"x6"x98 1/2" (152x152x2502)



A6P00308 6x6 POST FOOT
(x2)



ALIGN POST FOOT AND DRILL 1/8" PILOT HOLES FOR THE ATTACHMENT OF HARDWARE.

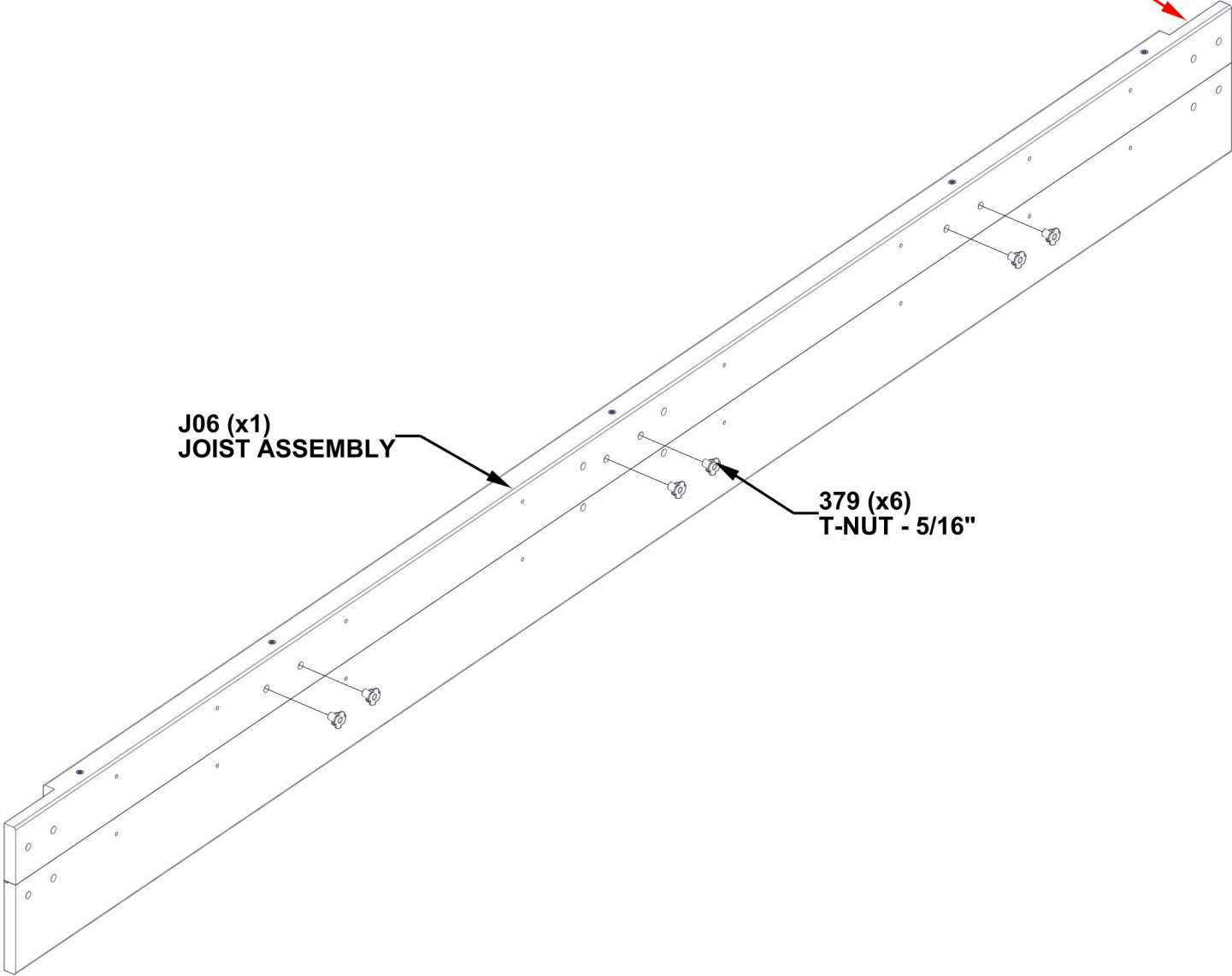
STEP 17 - FRONT ASSEMBLY

Qty	PART NUMBER	DESCRIPTION
6	H100379	T-NUT 5/16 BLK

○ ○	○ .	.	○ .	.	○ ○
○ ○	○ ○

J06 JOIST ASSEMBLY - W2A03723
 (x1) 1 7/16"X8 7/16"X100" (36x214x2540)

NOTE NOTCH IN JOIST FOR LOCATION OF T-NUTS

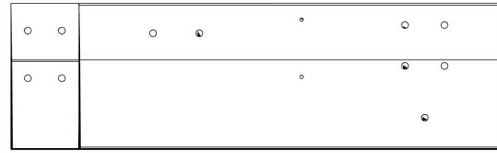


STEP 18 - FRONT ASSEMBLY

Qty	PART NUMBER	DESCRIPTION
4	H100379	T-NUT 5/16 BLK

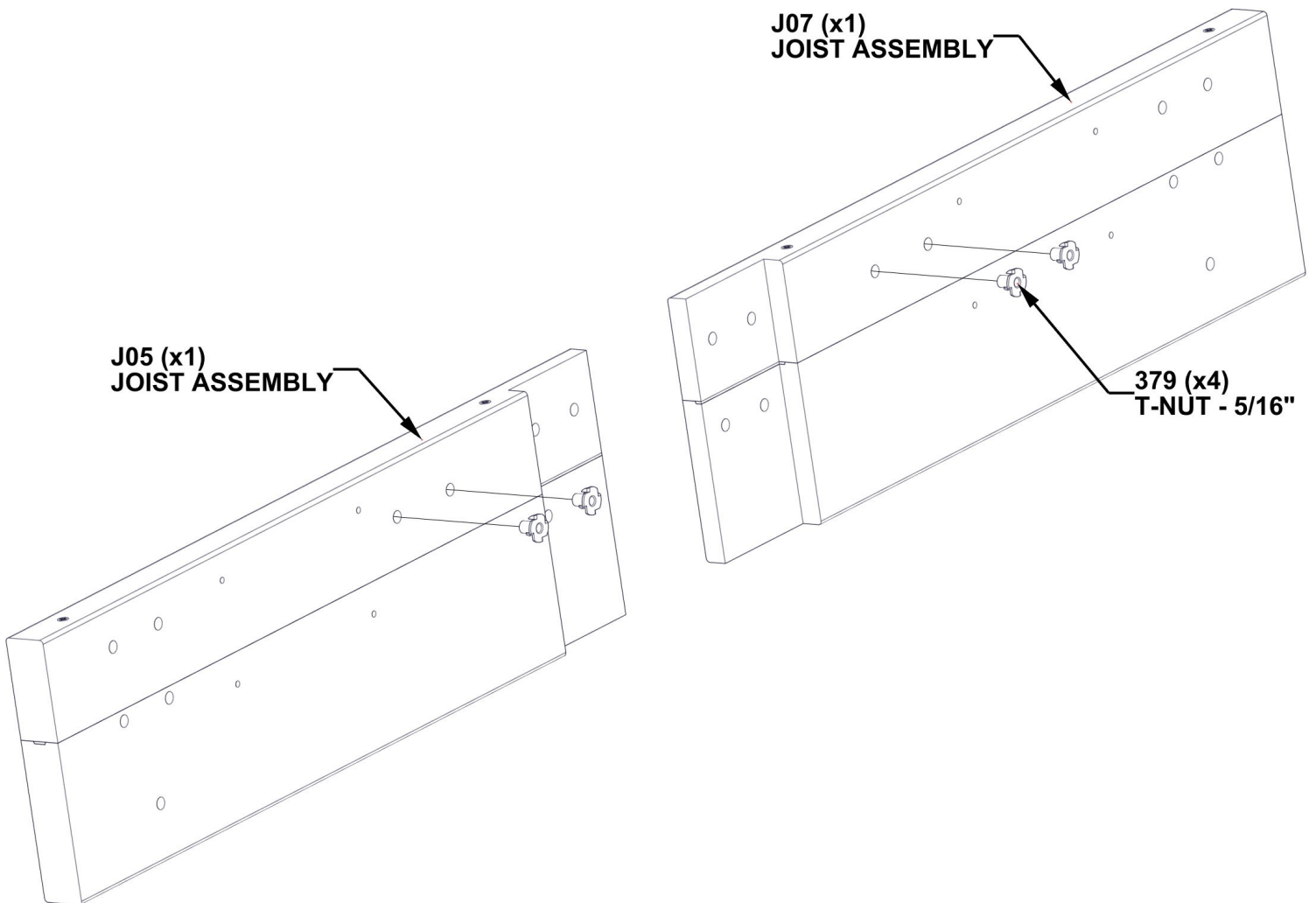


J05 JOIST ASSEMBLY - W2A03722
(x1) 1 7/16"x8 7/16"x28 7/16" (36x214x722)



J07 JOIST ASSEMBLY - W2A03724
(x1) 1 7/16"x8 7/16"x28 7/16" (36x214x722)

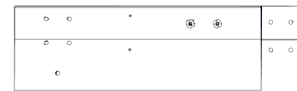
NOTE:
• NOTCHES IN JOIST ASSEMBLIES FOR LOCATION OF T-NUTS.



STEP 19A - FRONT ASSEMBLY



**J06 JOIST ASSEMBLY WITH
T-NUTS FROM STEP 17**



**J05 JOIST ASSEMBLY WITH
T-NUTS FROM STEP 18**



**J07 JOIST ASSEMBLY WITH
T-NUTS FROM STEP 18**

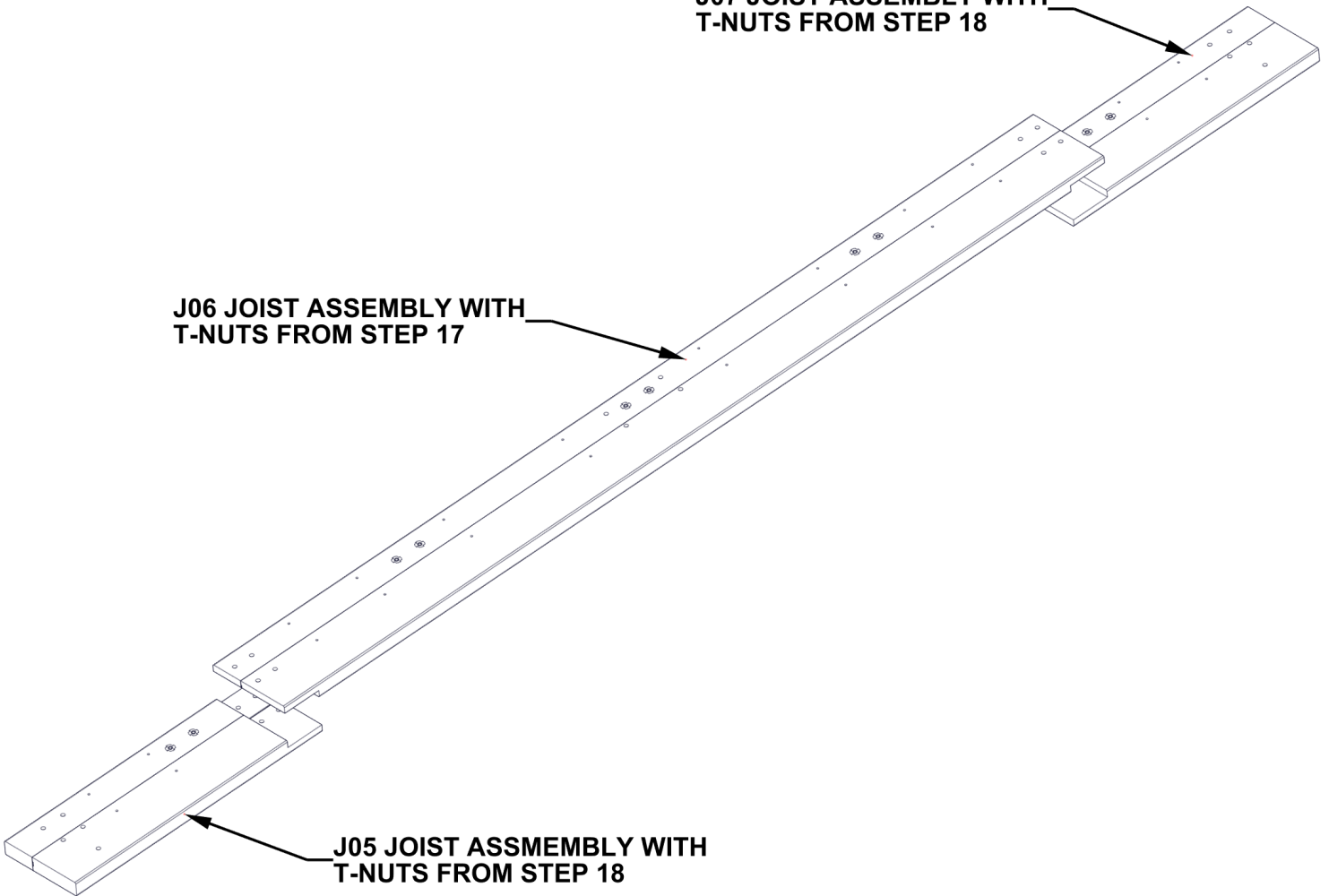
NOTES:

- POSITION JOIST ASSEMBLIES AS SHOWN BELOW.
- ALL T-NUTS WILL BE ON THE SAME SIDE AND IN LINE.

**J07 JOIST ASSEMBLY WITH
T-NUTS FROM STEP 18**

**J06 JOIST ASSEMBLY WITH
T-NUTS FROM STEP 17**

**J05 JOIST ASSMEMBLY WITH
T-NUTS FROM STEP 18**



STEP 19B - FRONT ASSEMBLY

Qty	PART NUMBER	DESCRIPTION
12	H100198	WASHER LOCK EXT 8x19
4	H100205	BOLT WH 5/16x2 1/4 BLK
12	H100379	TNUT-5/16" BLK
8	H100503	BOLT WH 5/16x3 1/2 BLK



G03 FASCIA - W4L17592
(x2) 15/16"x5 1/4"x72 7/8" (24x134x1851)

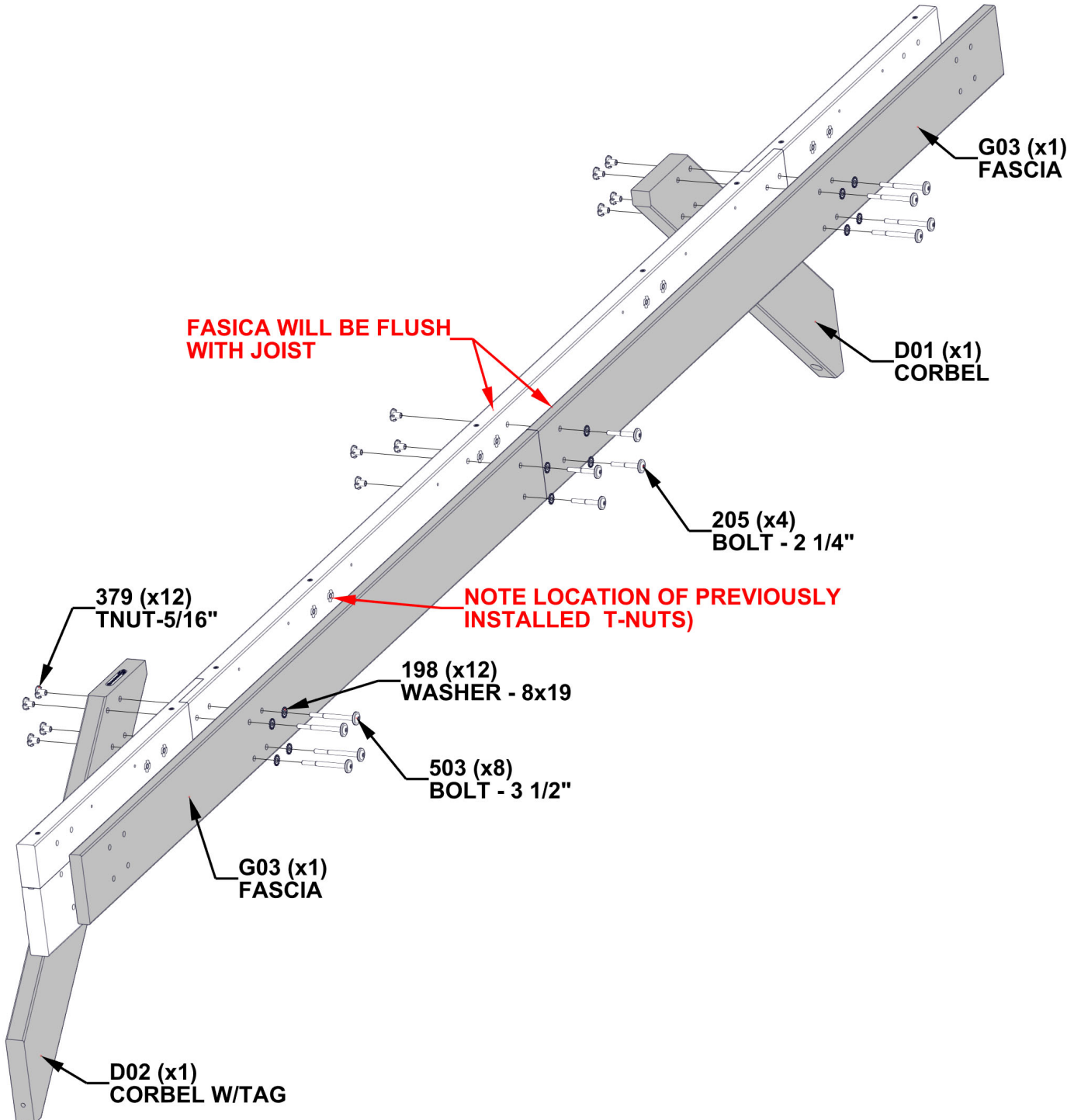


D01 CORBEL - W4L17290
(x1) 1 7/16"x5 1/4"x34 7/16" (36x134x874)



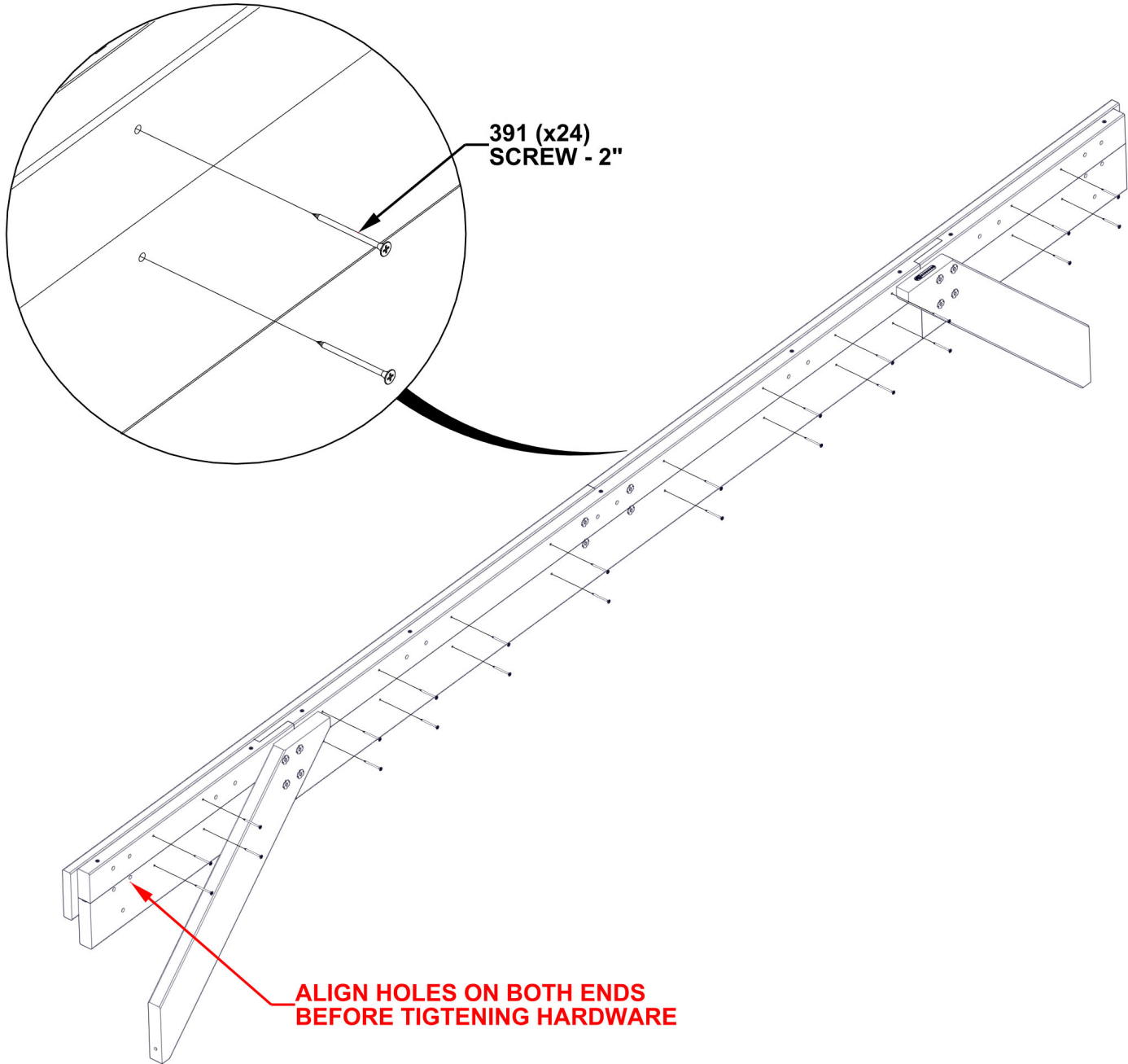
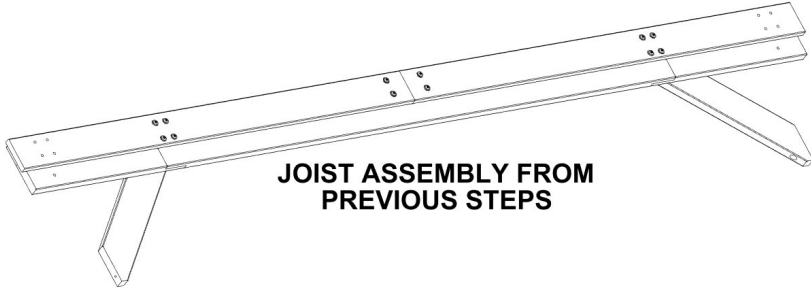
D02 CORBEL W/TAG - W2A03544
(x1) 1 7/16"x5 1/4"x34 7/16" (36x134x874)

INSERT T-NUTS FIRST

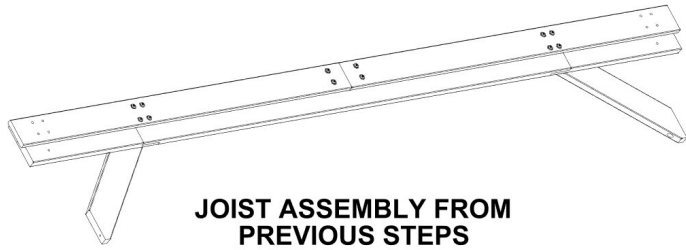


STEP 19C - FRONT ASSEMBLY

Qty	PART NUMBER	DESCRIPTION
24	H100391	SCREW PFH 8x2 BLK



STEP 20A - FRONT ASSEMBLY

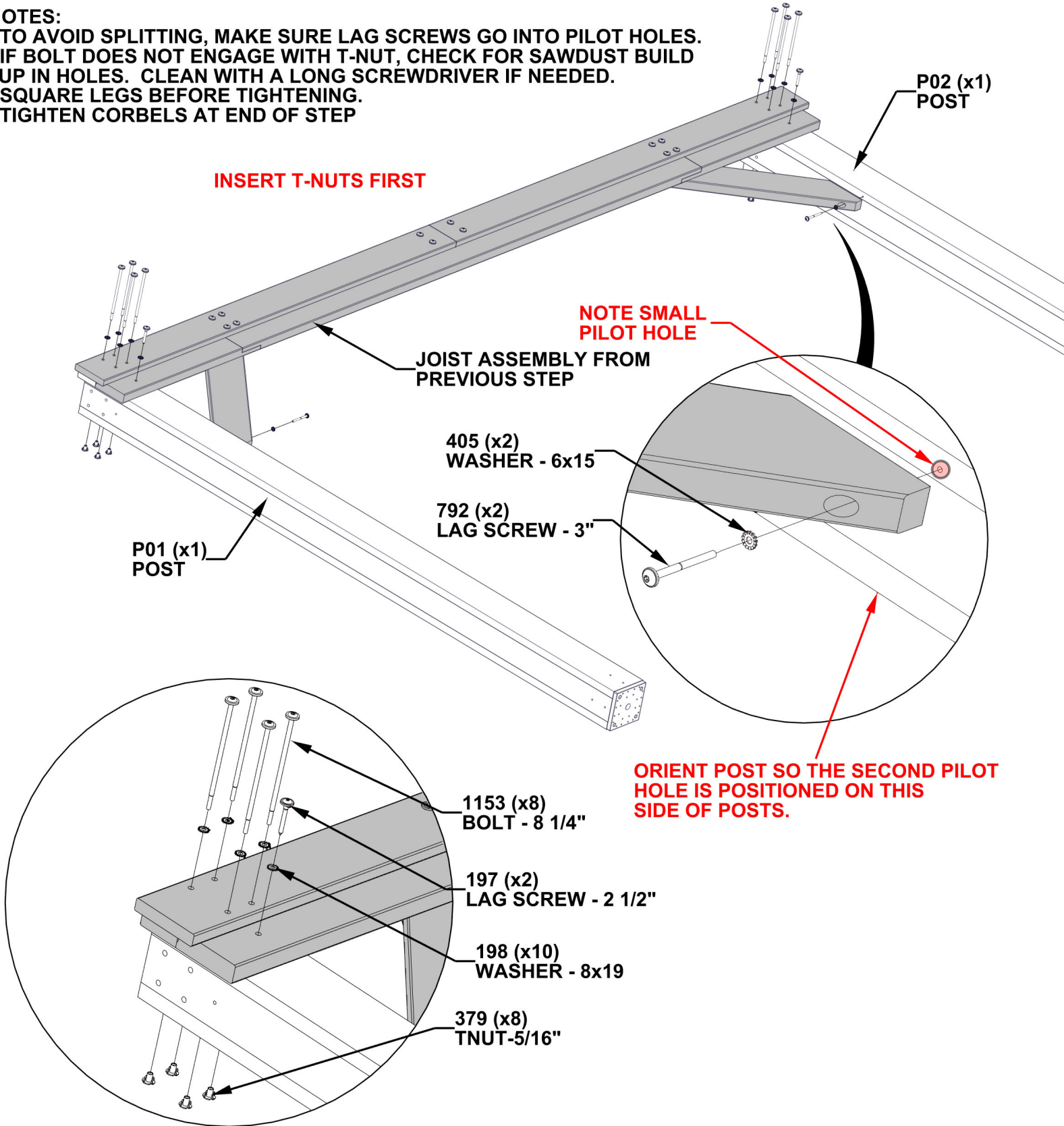


JOIST ASSEMBLY FROM PREVIOUS STEPS

Qty	PART NUMBER	DESCRIPTION
2	H100197	LAG SCREW WH 5/16x2 1/2 BLK
10	H100198	WASHER LOCK EXT 8x19
8	H100379	TNUT-5/16" BLK
2	H100405	WASHER LOCK EXT 6x15
2	H100792	LAG SCREW WH 1/4x3 BLK
8	H101153	BOLT WH 5/16x8 1/4 BLK

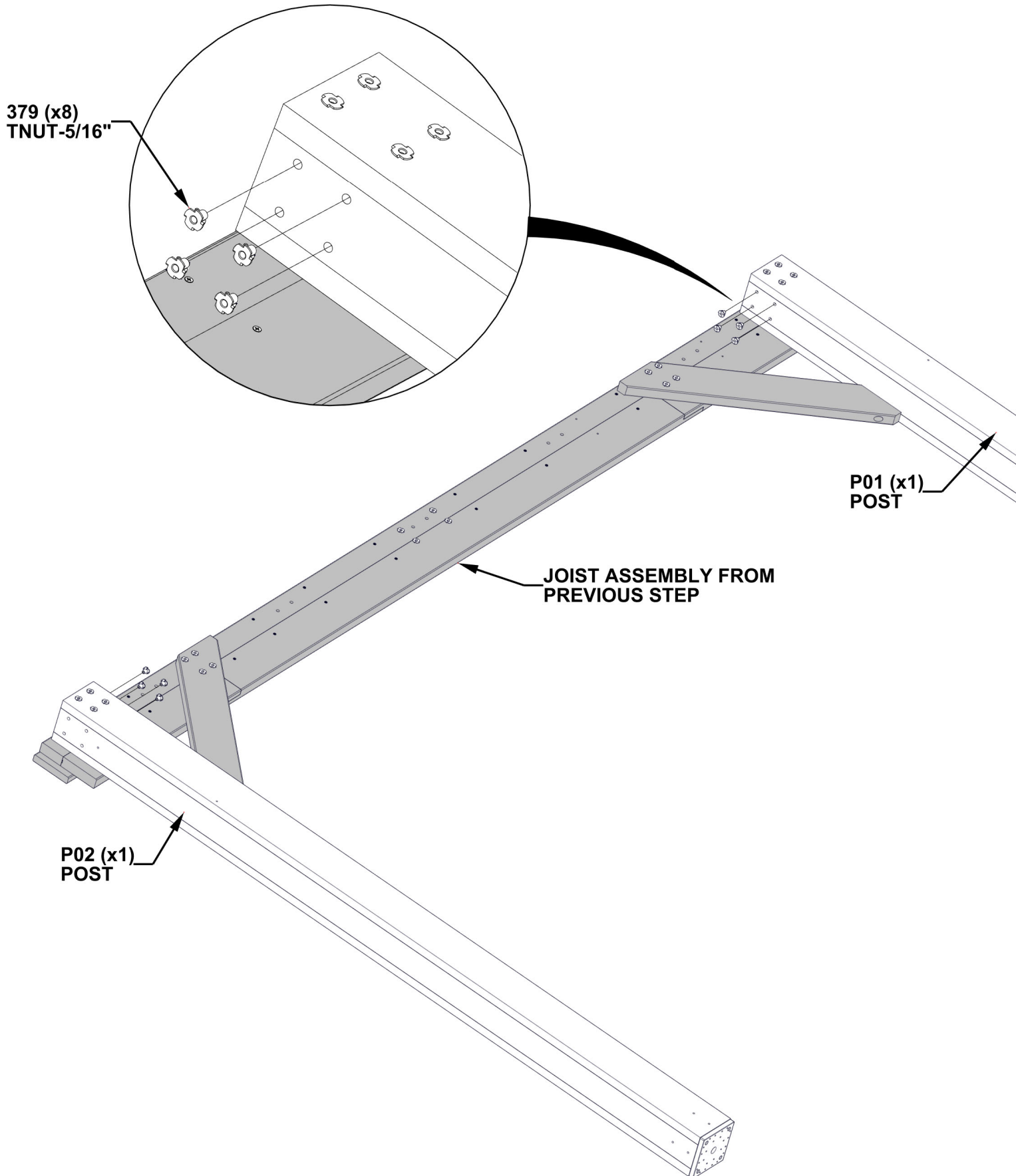
NOTES:

- TO AVOID SPLITTING, MAKE SURE LAG SCREWS GO INTO PILOT HOLES.
- IF BOLT DOES NOT ENGAGE WITH T-NUT, CHECK FOR SAWDUST BUILD UP IN HOLES. CLEAN WITH A LONG SCREWDRIVER IF NEEDED.
- SQUARE LEGS BEFORE TIGHTENING.
- TIGHTEN CORBELS AT END OF STEP



STEP 20B - FRONT ASSEMBLY

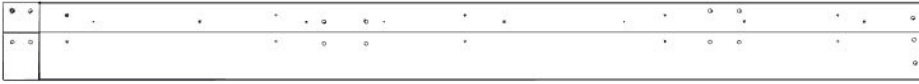
Qty	PART NUMBER	DESCRIPTION
8	H100379	TNUT-5/16" BLK



SET FRONT ASSEMBLY TO THE SIDE

STEP 21A - LEFT JOIST ASSEMBLY

Qty	Part Number	Description
4	H100379	TNUT-5/16" BLK



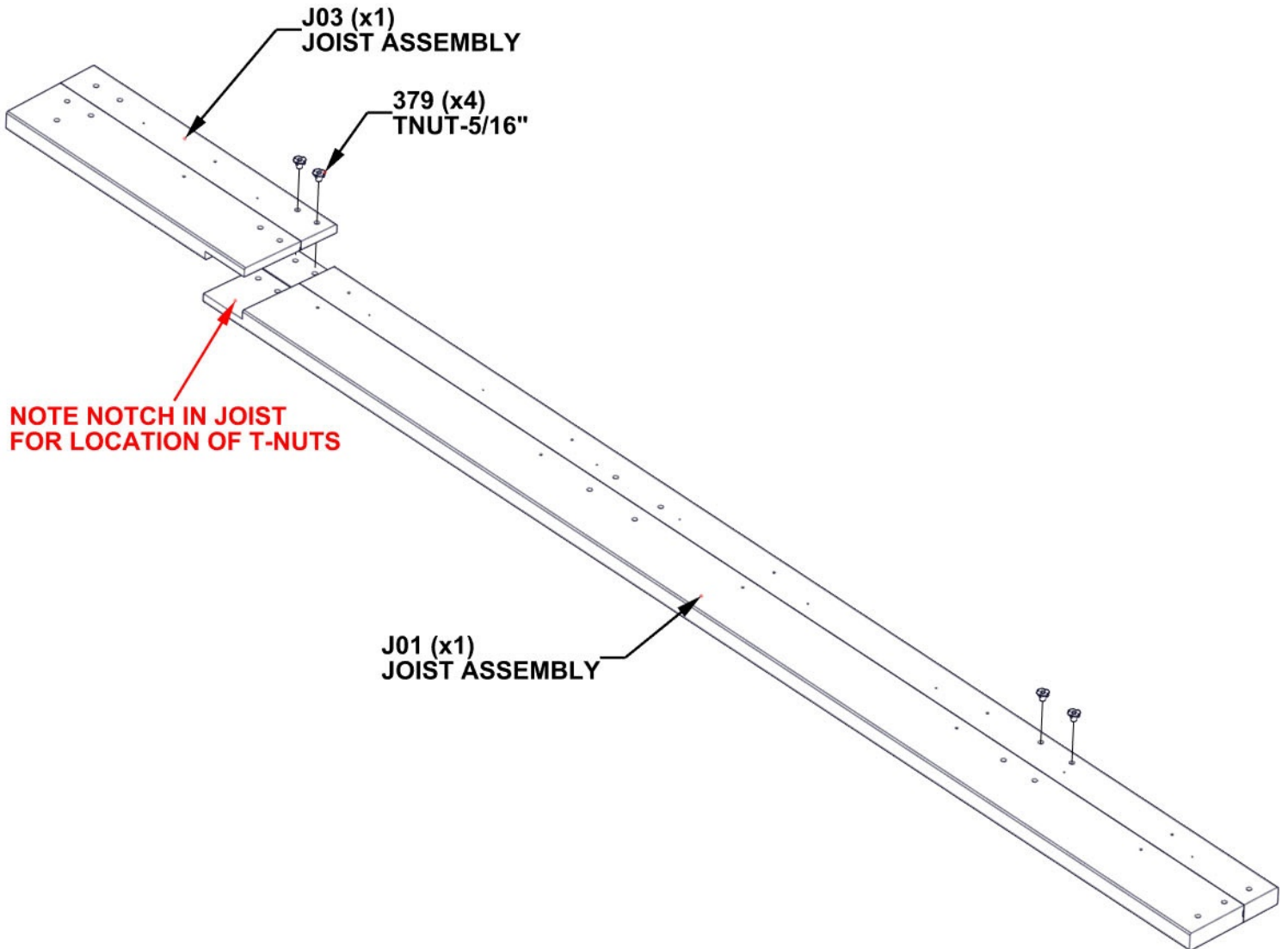
J01 JOIST ASSEMBLY - W2A03718
(x1) 36X214X100" (36x214x2540)



J03 JOIST ASSEMBLY - W2A03720
(x1) 1 7/16"x8 7/16"x24 9/16" (36x214x624)

NOTES:

- POSITION JOIST ASSEMBLIES AS SHOWN BELOW.
- ADD T-NUTS IN THE TOP TWO HOLES AS SHOWN.
- NOTE NOTCH DIRECTION IN ASSEMBLIES FOR T-NUT LOCATION.



STEP 21B - LEFT JOIST ASSEMBLY

Qty	Part Number	Description
5	H100198	WASHER LOCK EXT 8x19
3	H100205	BOLT WH 5/16x2 1/4 BLK
2	H100379	TNUT-5/16" BLK
2	H100503	BOLT WH 5/16x3 1/2 BLK

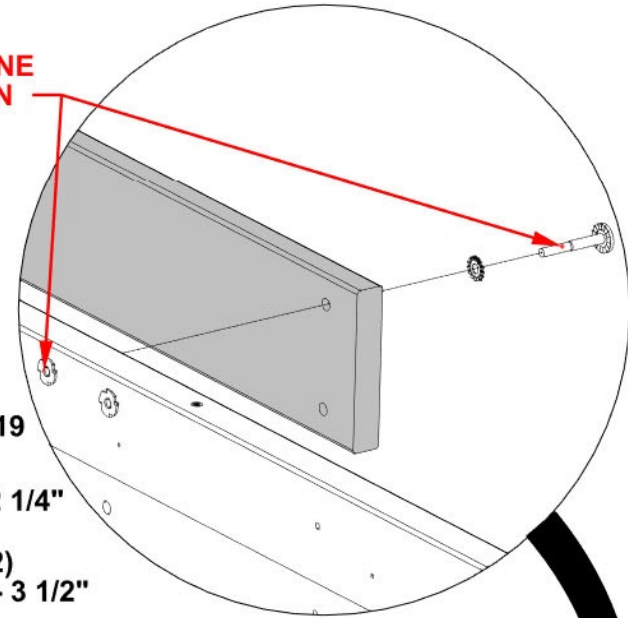
D06 CORBEL - W4L17580
 (x1) 1 3/8"x5 1/4"x28 1/2" (36x134x724)



G10 FASCIA - W4L17600
 (x1) 15/16"x5 1/4"x100 1/8" (24x134x2543)

INSERT T-NUTS FIRST

NOTE ONLY ONE BOLT USED ON THIS END



JOIST ASSEMBLY WITH T-NUTS FROM PREVIOUS STEP

198 (x5) WASHER - 8x19

205 (x3) BOLT - 2 1/4"

503 (x2) BOLT - 3 1/2"

FLUSH

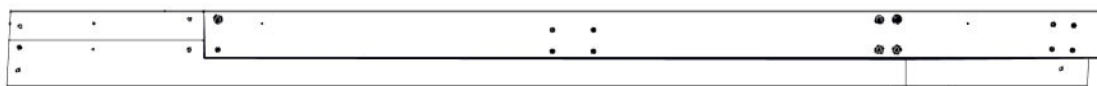
NOTE THAT THESE TWO HOLES ON FASCIA WILL BE LOCATED AT THE BOTTOM

G10 (x1) FASCIA

379 (x2) TNUT-5/16"

D06 (x1) CORBEL

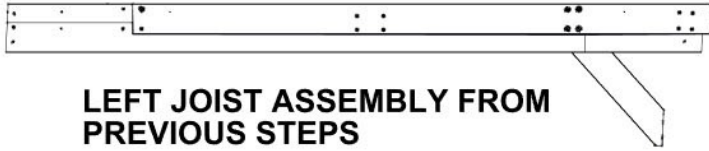
JOIST ASSEMBLY WITH T-NUTS FROM PREVIOUS STEP



VIEW OF COMPLETED ASSEMBLY

STEP 22A - GAZEBO ASSEMBLY

Qty	Part Number	Description
2	H100197	LAG SCREW WH 5/16x2 1/2 BLK
8	H100198	WASHER LOCK EXT 8x19
1	H100405	WASHER LOCK EXT 6x15
1	H100792	LAG SCREW WH 1/4x3 BLK
6	H101153	BOLT WH 5/16x8 1/4 BLK



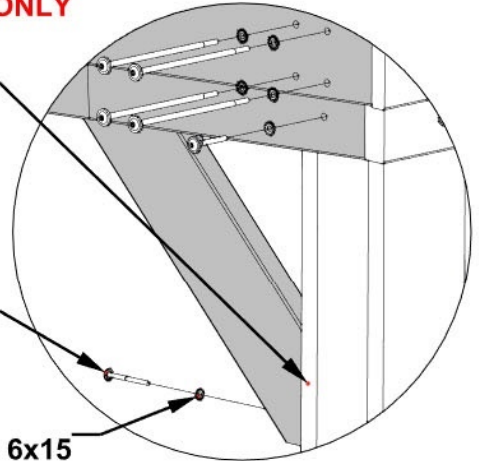
LEFT JOIST ASSEMBLY FROM PREVIOUS STEPS

NOTE:
 • EXTRA PEOPLE ARE HELPFUL FOR THIS STEP.
 • THE FRONT OF THE UNIT IS DETERMINED BY THE TALLER POST.

HAND TIGHTEN ONLY

ALIGN CORBEL WITH PILOT HOLE IN POST

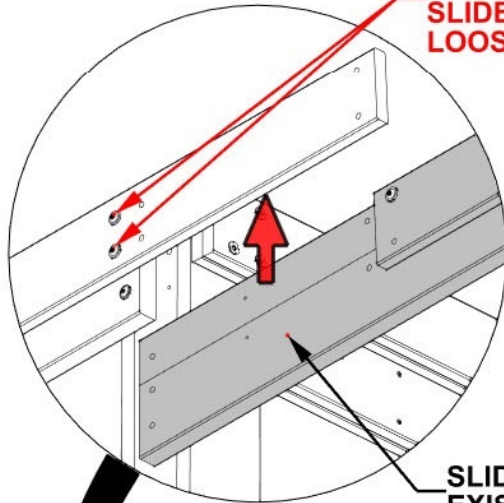
THESE BOLTS SHOULD ALREADY BE LOOSE. IF THE JOIST WILL NOT SLIDE BEHIND EXISTING JOIST, LOOSEN THESE BOLTS.



DETAIL 'A'

792 (x1)
LAG SCREW - 3"

405 (x1)
WASHER - 6x15



SLIDE JOIST ASSEMBLY BEHIND EXISTING JOIST ASSEMBLY

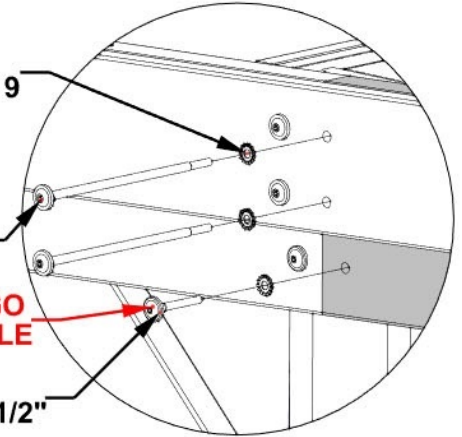
CENTER JOIST ASSEMBLY FROM PREVIOUS STEPS

198 (x8)
WASHER - 8x19

1153 (x6)
BOLT - 8 1/4"

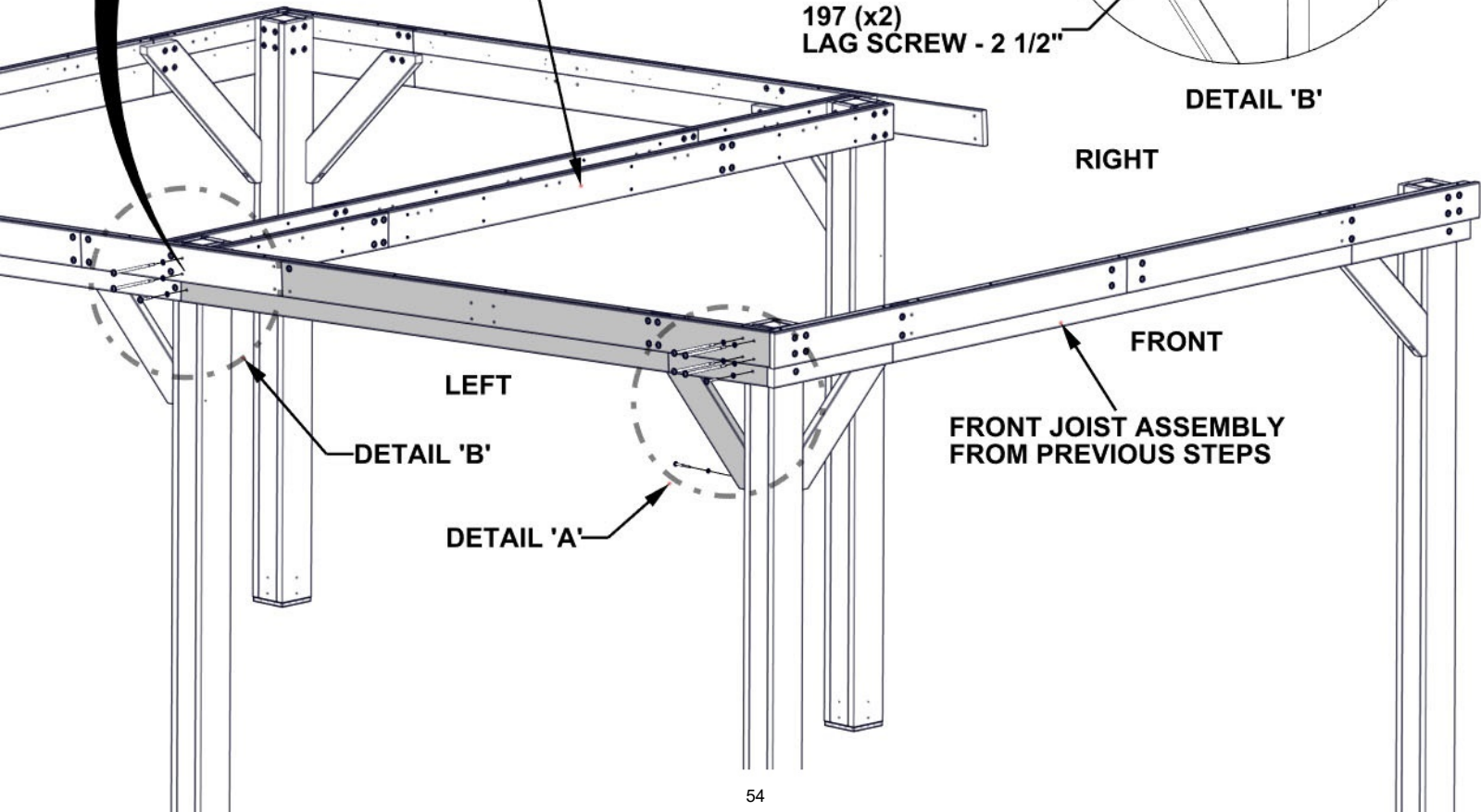
LAG SCREW WILL GO IN THE BOTTOM HOLE

197 (x2)
LAG SCREW - 2 1/2"



DETAIL 'B'

RIGHT



LEFT

DETAIL 'B'

DETAIL 'A'

FRONT

FRONT JOIST ASSEMBLY FROM PREVIOUS STEPS

STEP 22B - GAZEBO ASSEMBLY

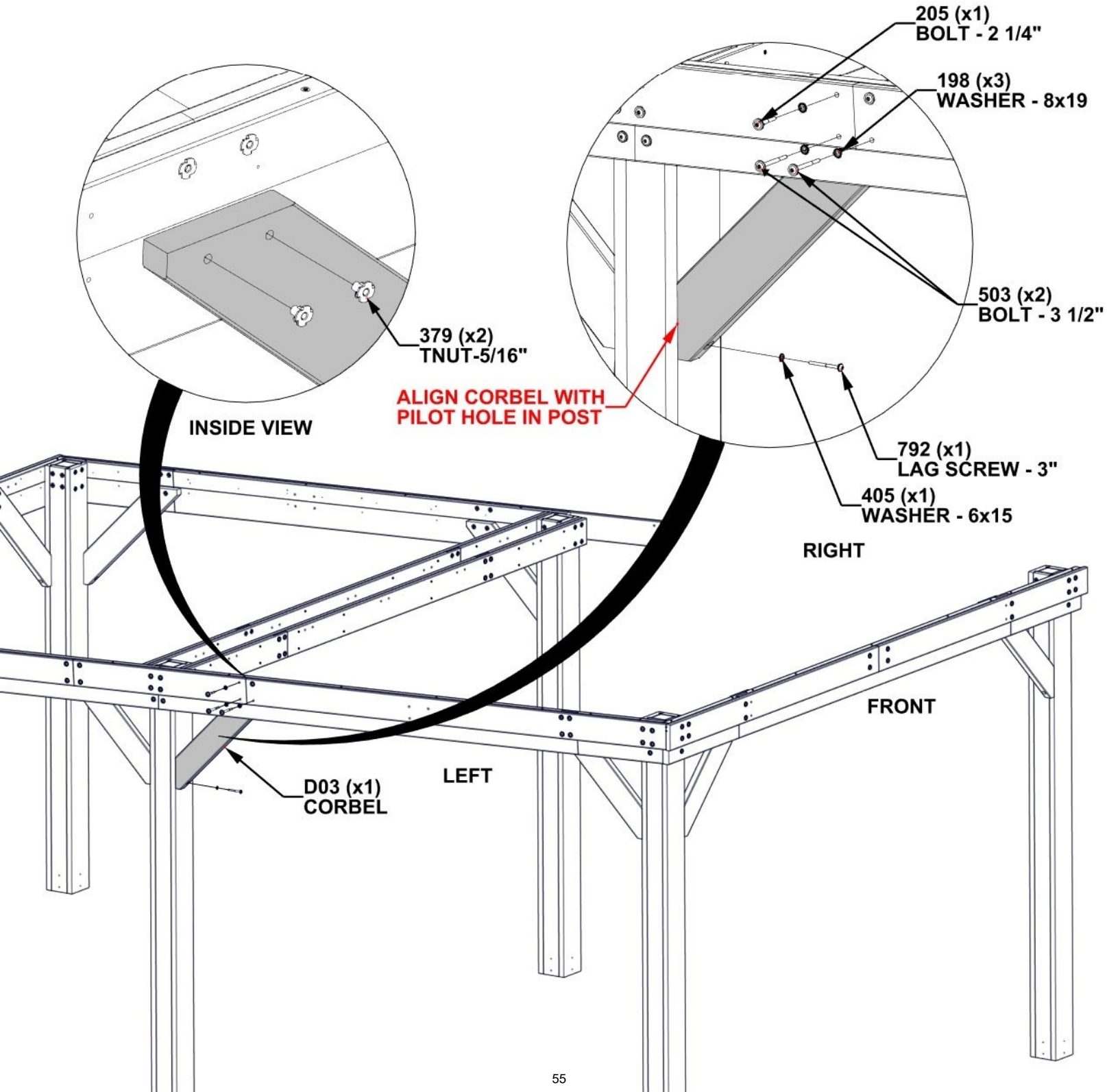
Qty	Part Number	Description
3	H100198	WASHER LOCK EXT 8x19
1	H100205	BOLT WH 5/16x2 1/4 BLK
2	H100379	TNUT-5/16" BLK
1	H100405	WASHER LOCK EXT 6x15
2	H100503	BOLT WH 5/16x3 1/2 BLK
1	H100792	LAG SCREW WH 1/4x3 BLK



D03 CORBEL - W4L17581
(x1) 1 3/8"x5 1/4"x31 1/2" (36x134x801)

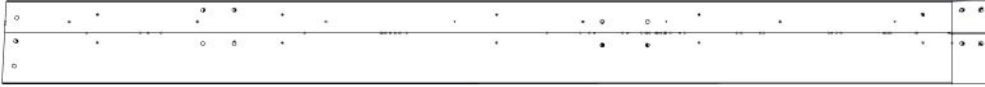
NOTE:
• THE FRONT OF THE UNIT IS DETERMINED BY THE TALLER POST.

INSERT T-NUTS FIRST HAND TIGHTEN ONLY

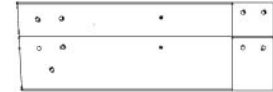


STEP 23A - RIGHT JOIST ASSEMBLY

Qty	Part Number	Description
4	H100379	TNUT-5/16" BLK



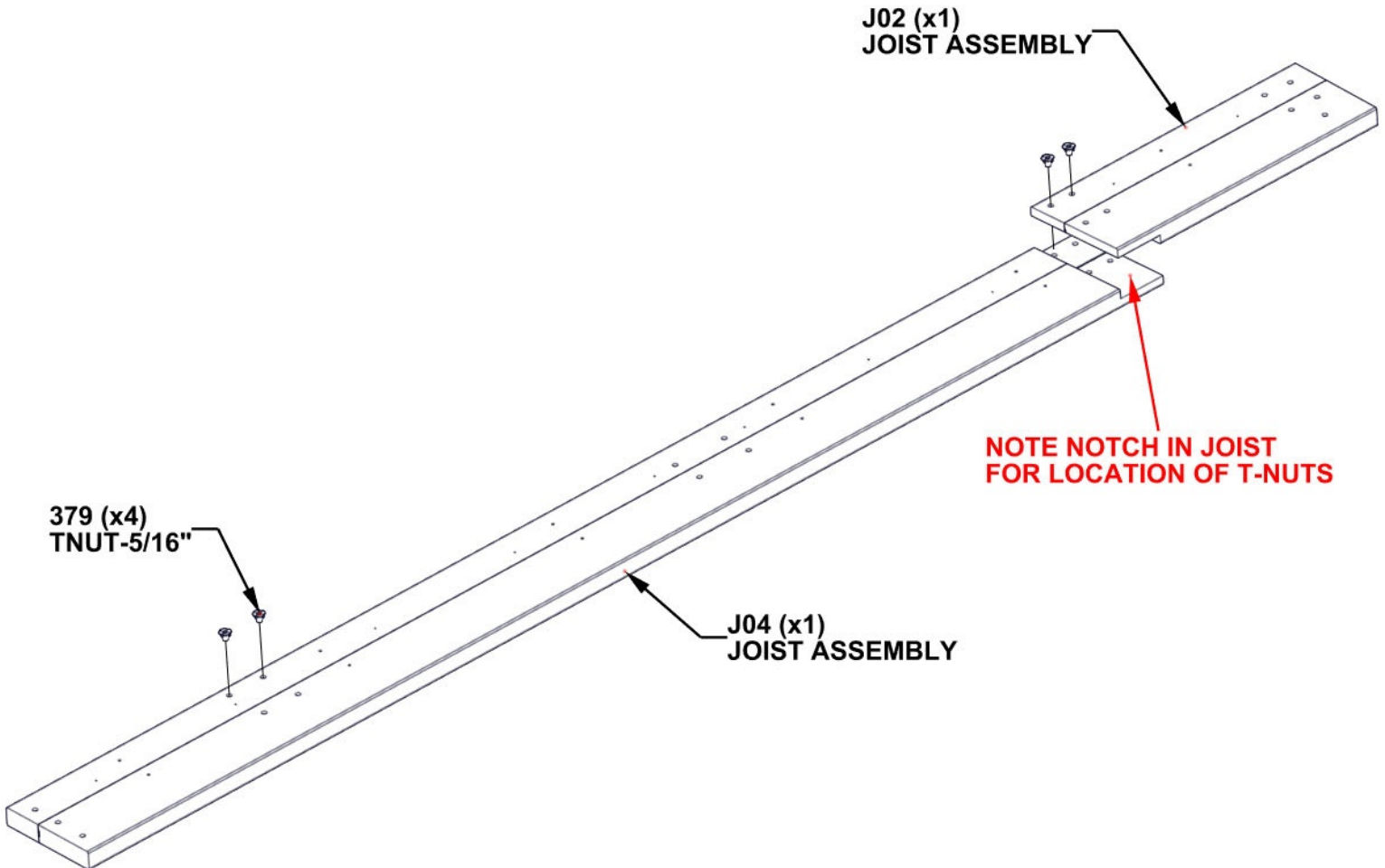
J04 JOIST ASSEMBLY - W2A03721
(x1) 36X8 7/16"X100" (36x214x2540)



J02 JOIST ASSEMBLY - W2A03719
(x1) 36X8 7/16"X24 9/16" (36x214x624)

NOTES:

- LAYOUT JOIST ASSEMBLIES AS SHOWN BELOW.
- ADD T-NUTS IN THE TOP TWO HOLES AS SHOWN.
- NOTE NOTCH DIRECTION IN ASSEMBLIES FOR T-NUT LOCATION.



STEP 23B - RIGHT JOIST ASSEMBLY

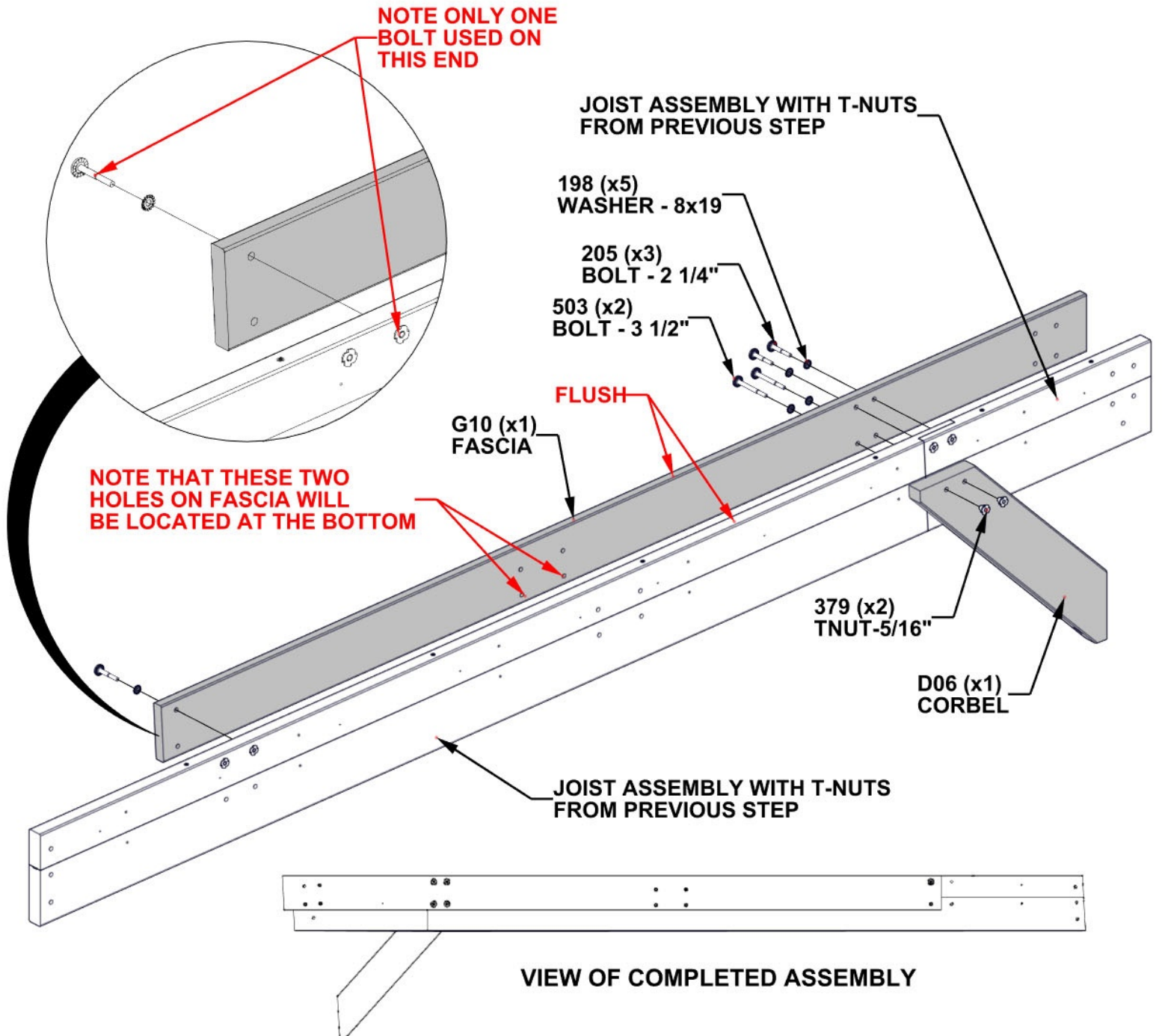
Qty	Part Number	Description
5	H100198	WASHER LOCK EXT 8x19
3	H100205	BOLT WH 5/16x2 1/4 BLK
2	H100379	TNUT-5/16" BLK
2	H100503	BOLT WH 5/16x3 1/2 BLK

D06 CORBEL - W4L17580
(x1) 1 3/8"x5 1/4"x28 1/2" (36x134x724)



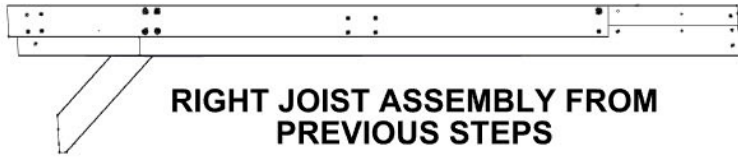
G10 FASCIA - W4L17600
(x1) 15/16"x5 1/4"x100 1/8" (24x134x2543)

INSERT T-NUTS FIRST



STEP 24A - GAZEBO ASSEMBLY

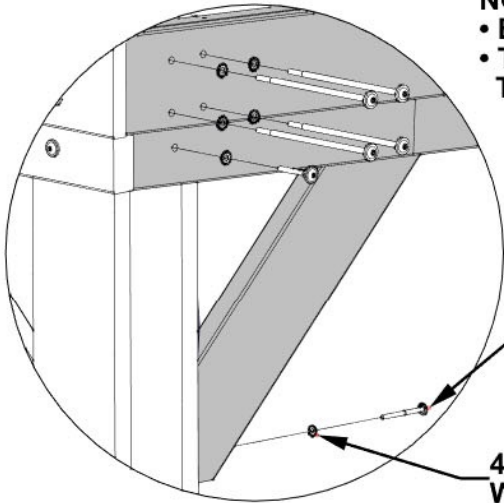
Qty	Part Number	Description
2	H100197	LAG SCREW WH 5/16x2 1/2 BLK
8	H100198	WASHER LOCK EXT 8x19
1	H100405	WASHER LOCK EXT 6x15
1	H100792	LAG SCREW WH 1/4x3 BLK
6	H101153	BOLT WH 5/16x8 1/4 BLK



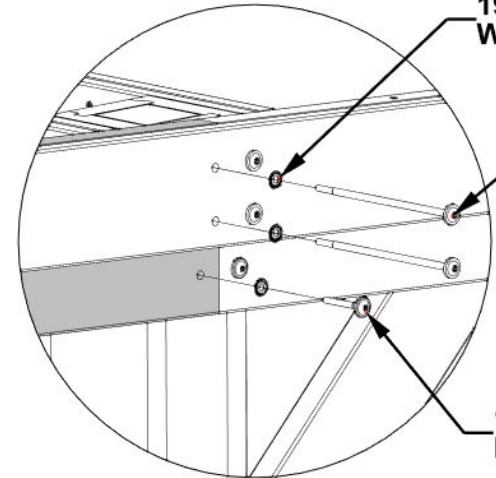
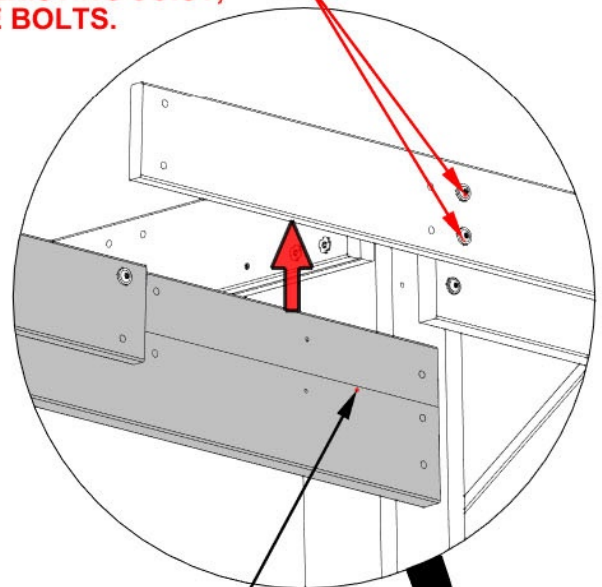
NOTE:
 • EXTRA PEOPLE ARE HELPFUL FOR THIS STEP.
 • THE FRONT OF THE UNIT IS DETERMINED BY THE TALLER POST.

HAND TIGHTEN ONLY

THESE BOLTS SHOULD ALREADY BE LOOSE. IF THE JOIST WILL NOT SLIDE BEHIND EXISTING JOIST, LOOSEN THESE BOLTS.

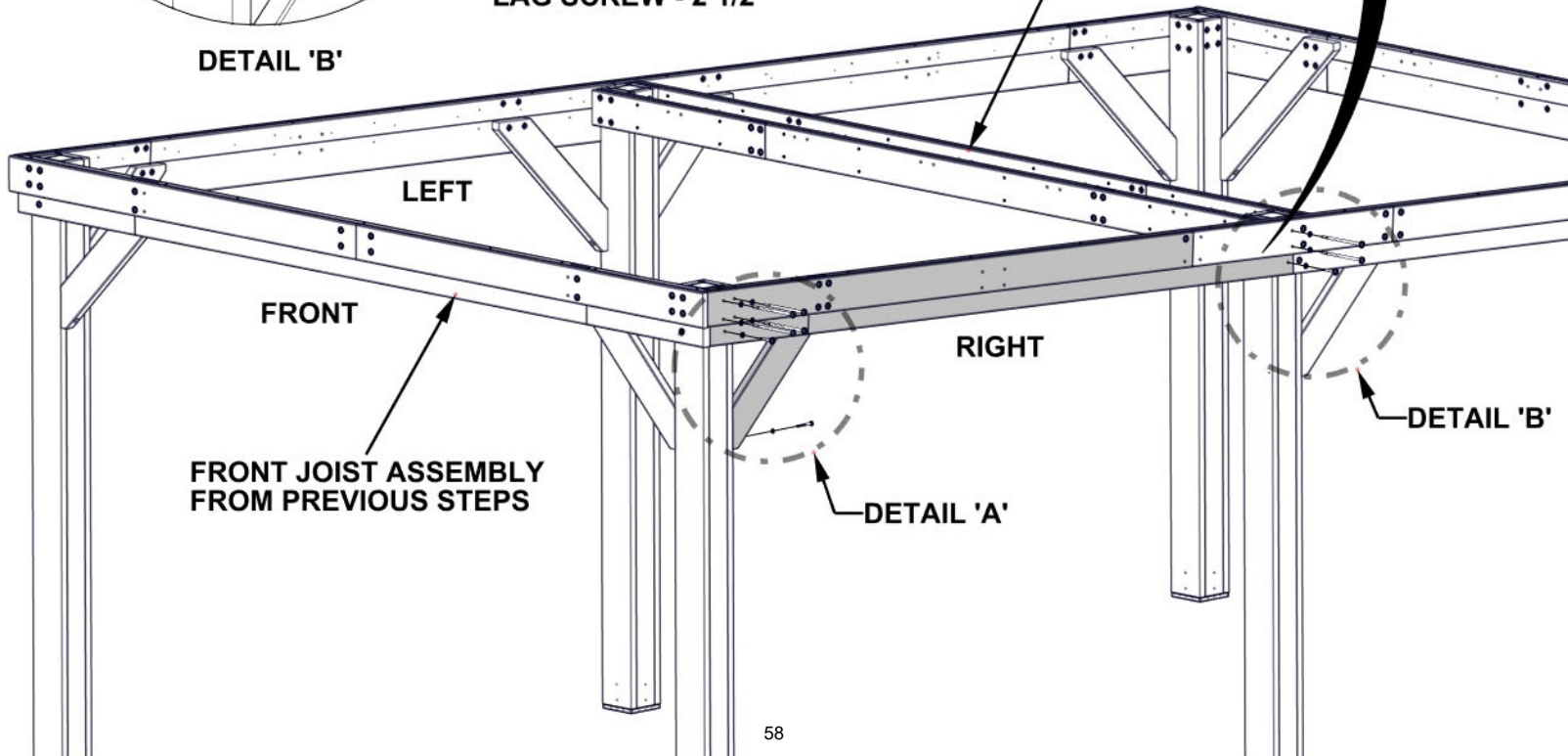


DETAIL 'A'



DETAIL 'B'

CENTER JOIST ASSEMBLY FROM PREVIOUS STEPS



STEP 24B - GAZEBO ASSEMBLY



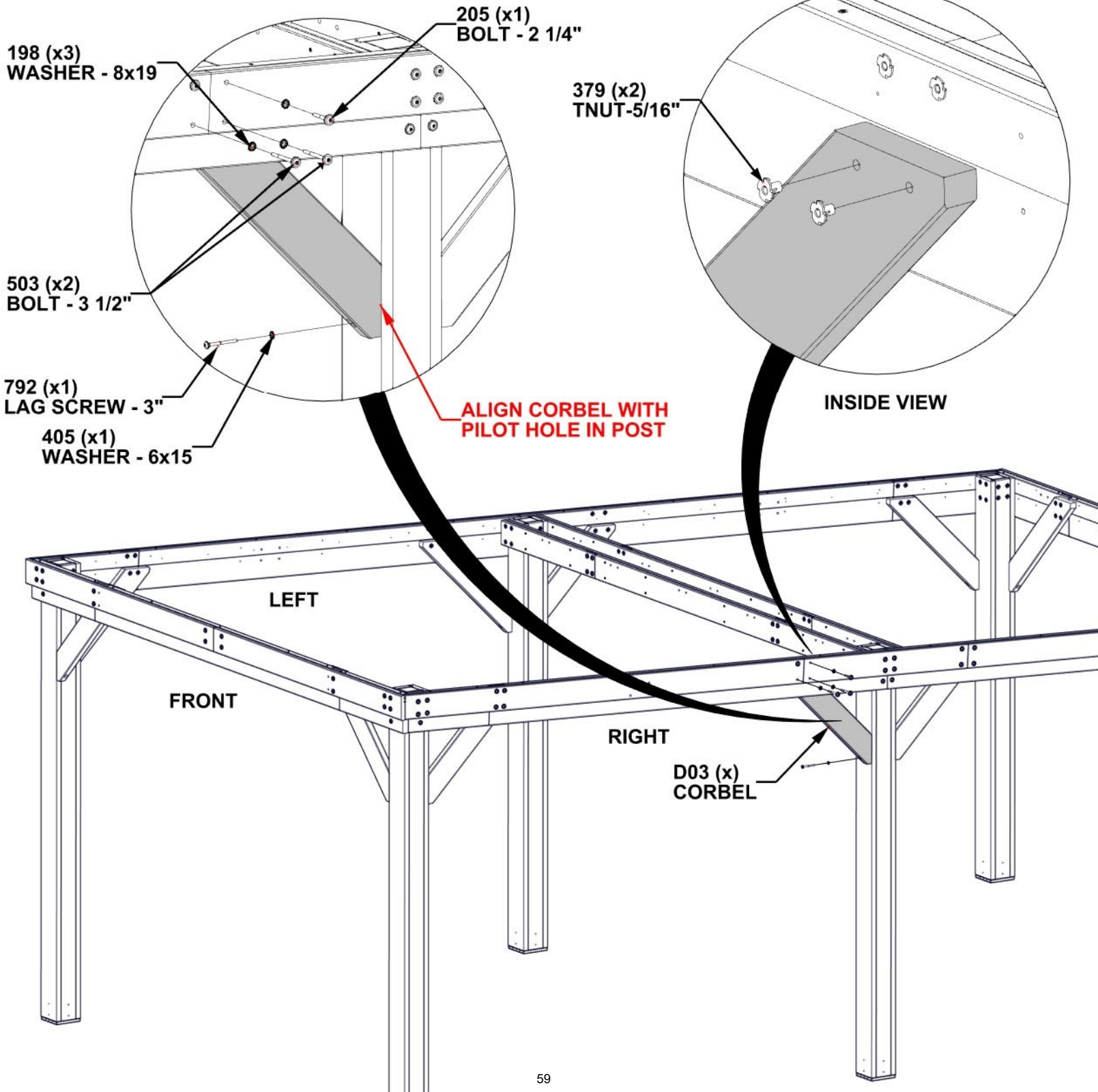
D03 CORBEL - W4L17581
 (x1) 1 3/8"x5 1/4"x31 1/2" (36x134x801)

Qty	Part Number	Description
3	H100198	WASHER LOCK EXT 8x19
1	H100205	BOLT WH 5/16x2 1/4 BLK
2	H100379	TNUT-5/16" BLK
1	H100405	WASHER LOCK EXT 6x15
2	H100503	BOLT WH 5/16x3 1/2 BLK
1	H100792	LAG SCREW WH 1/4x3 BLK

NOTE:
 THE FRONT OF THE UNIT IS
 DETERMINED BY THE TALLER POST.

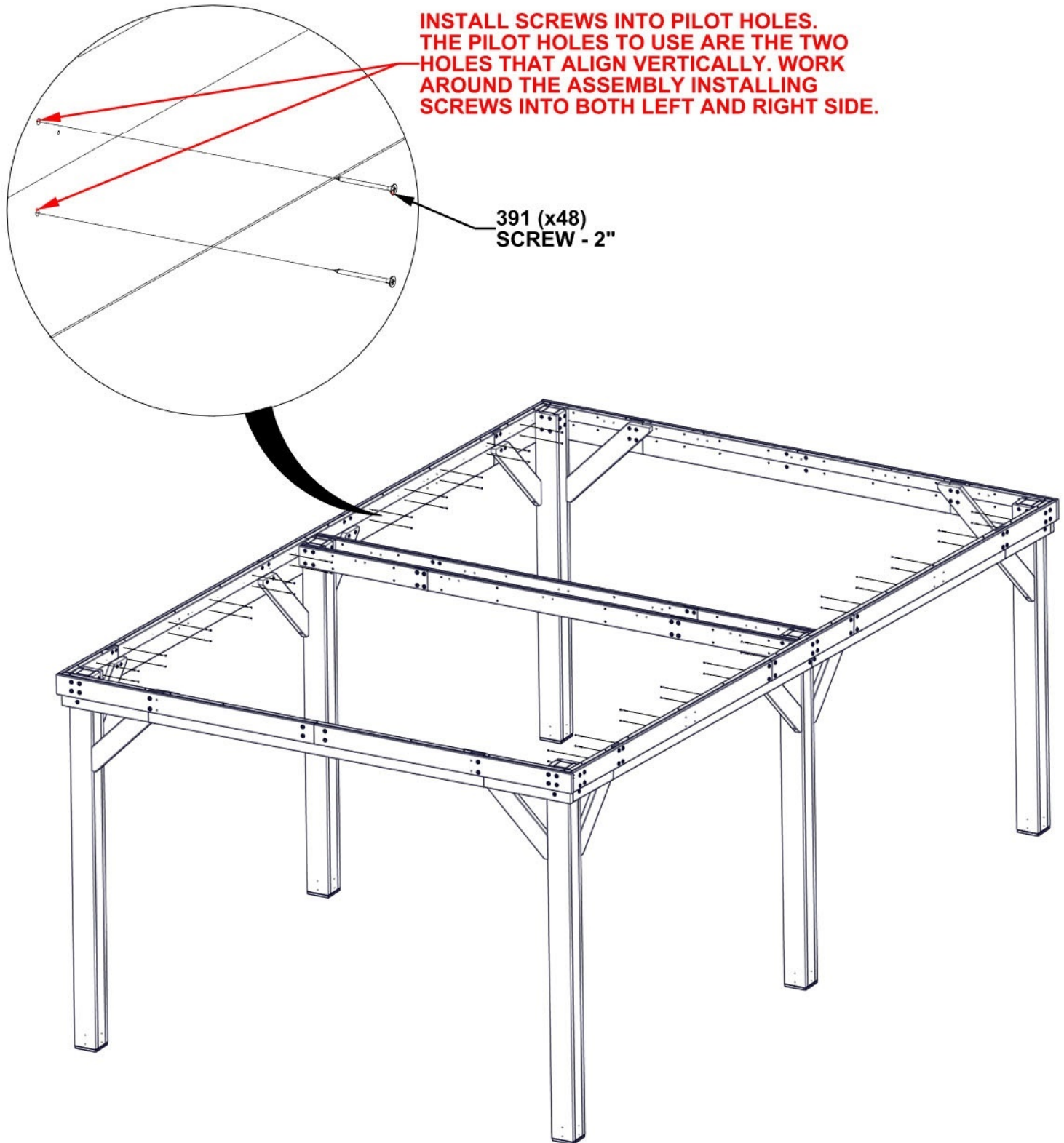
INSERT T-NUTS FIRST

HAND TIGHTEN ONLY

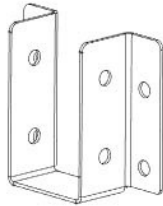


STEP 25 - GAZEBO ASSEMBLY

Qty	Part Number	Description
48	H100391	SCREW PFH 8x2 BLK

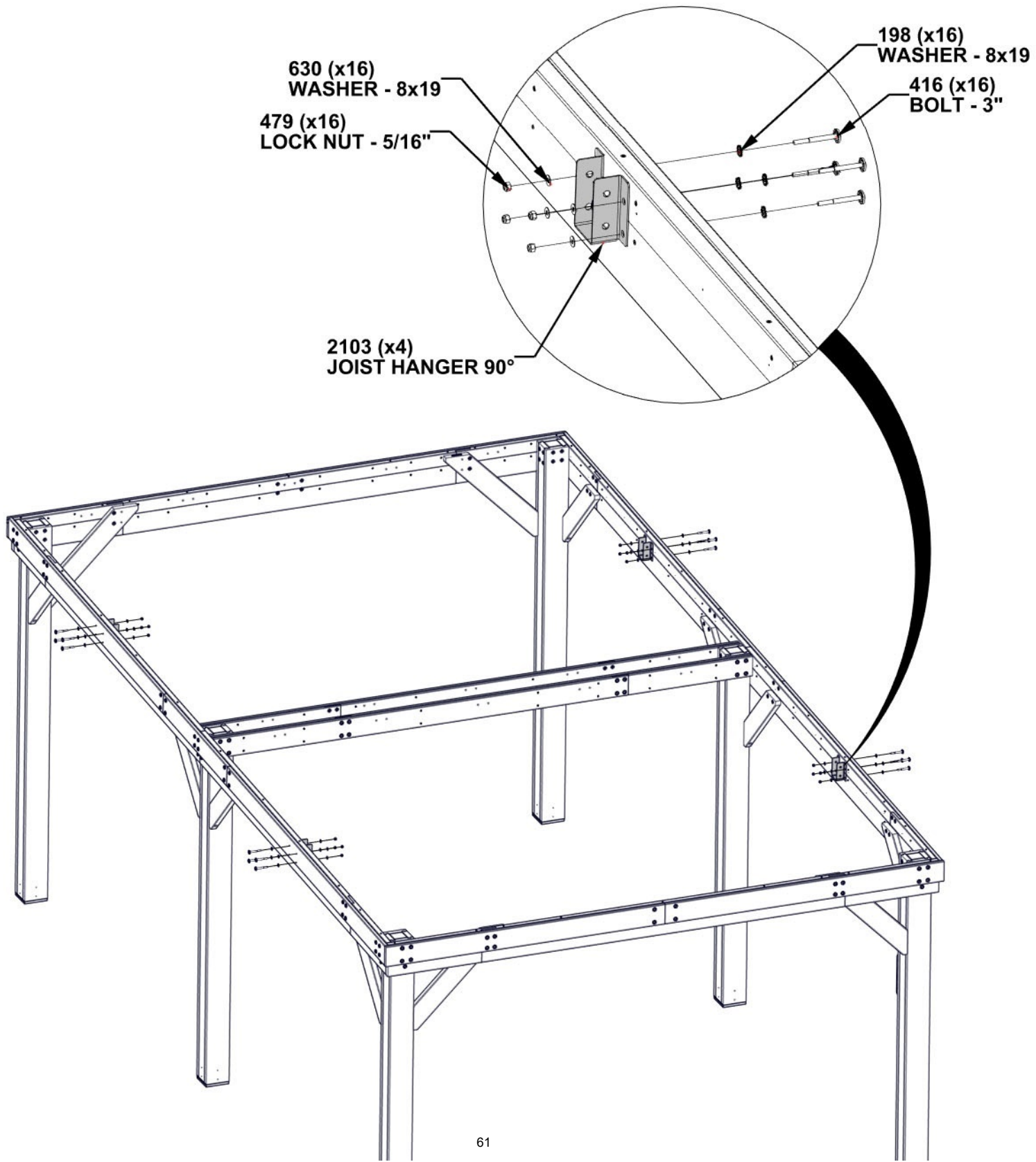


STEP 26 - GAZEBO ASSEMBLY



A4M02103 - JOIST HANGER 90°
(x4)

Qty	Part Number	Description
16	H100198	WASHER LOCK EXT 8x19
16	H100416	BOLT WH 5/16x3 BLK
16	H100479	NUT LOCK 5/16 BLK
16	H100630	WASHER FLAT 8x19 BLK



STEP 27A - GAZEBO ASSEMBLY

Qty	Part Number	Description
8	H100195	BOLT WH 5/16x2 3/4 BLK
8	H100198	WASHER LOCK EXT 8x19
8	H100379	TNUT-5/16" BLK



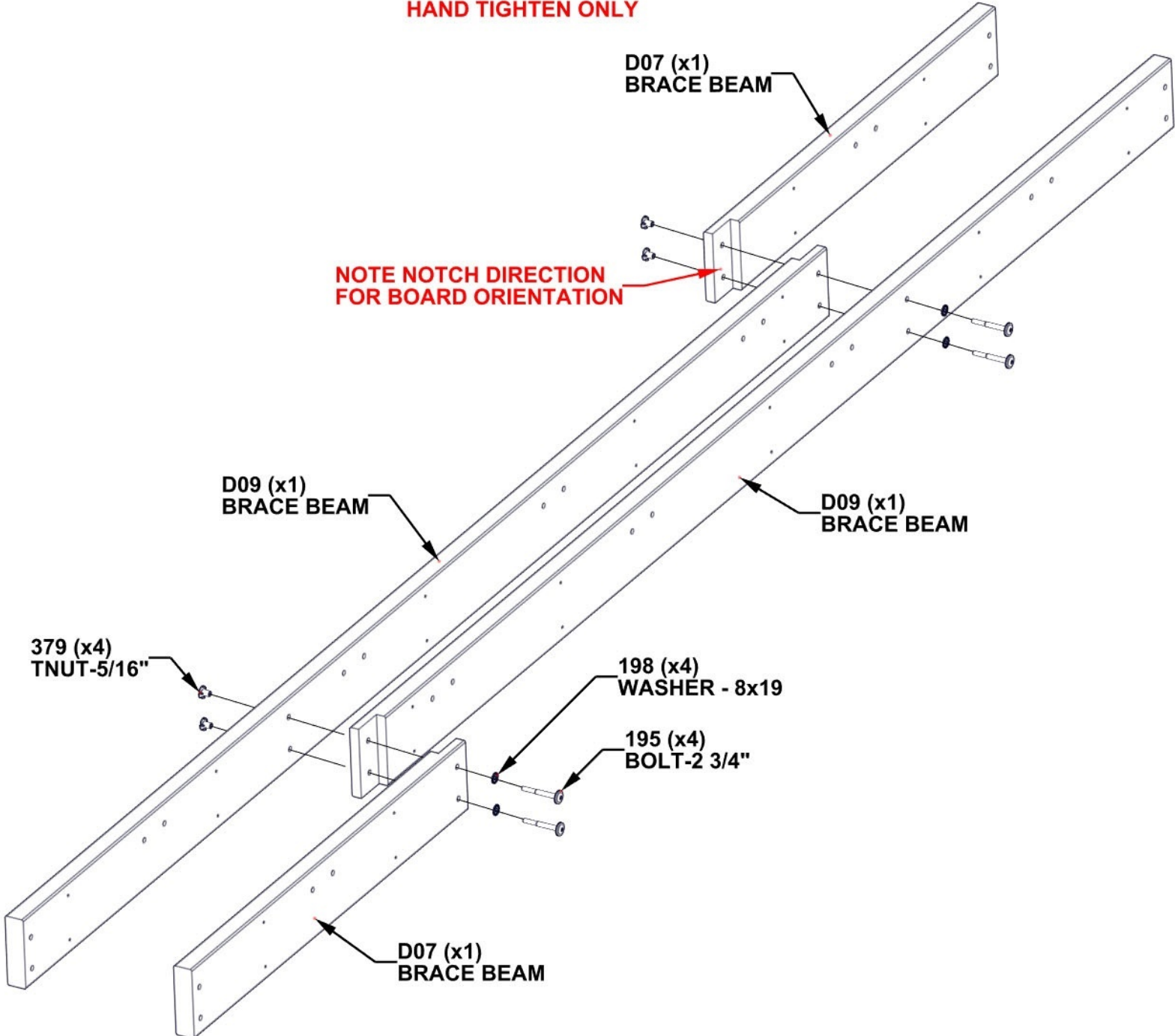
D07 BRACE BEAM - W4L17587
(x4) 1 7/16"x5 1/4"x36 7/16" (36x134x926)



D09 BRACE BEAM - W4L17586
(x4) 1 7/16"x5 1/4"x106 7/8" (36x134x2714)

REPEAT THIS STEP TWICE

INSERT T-NUTS FIRST
HAND TIGHTEN ONLY



STEP 27B - GAZEBO ASSEMBLY

Qty	Part Number	Description
56	H100483	SCREW PFH 8x2 1/4 BLK

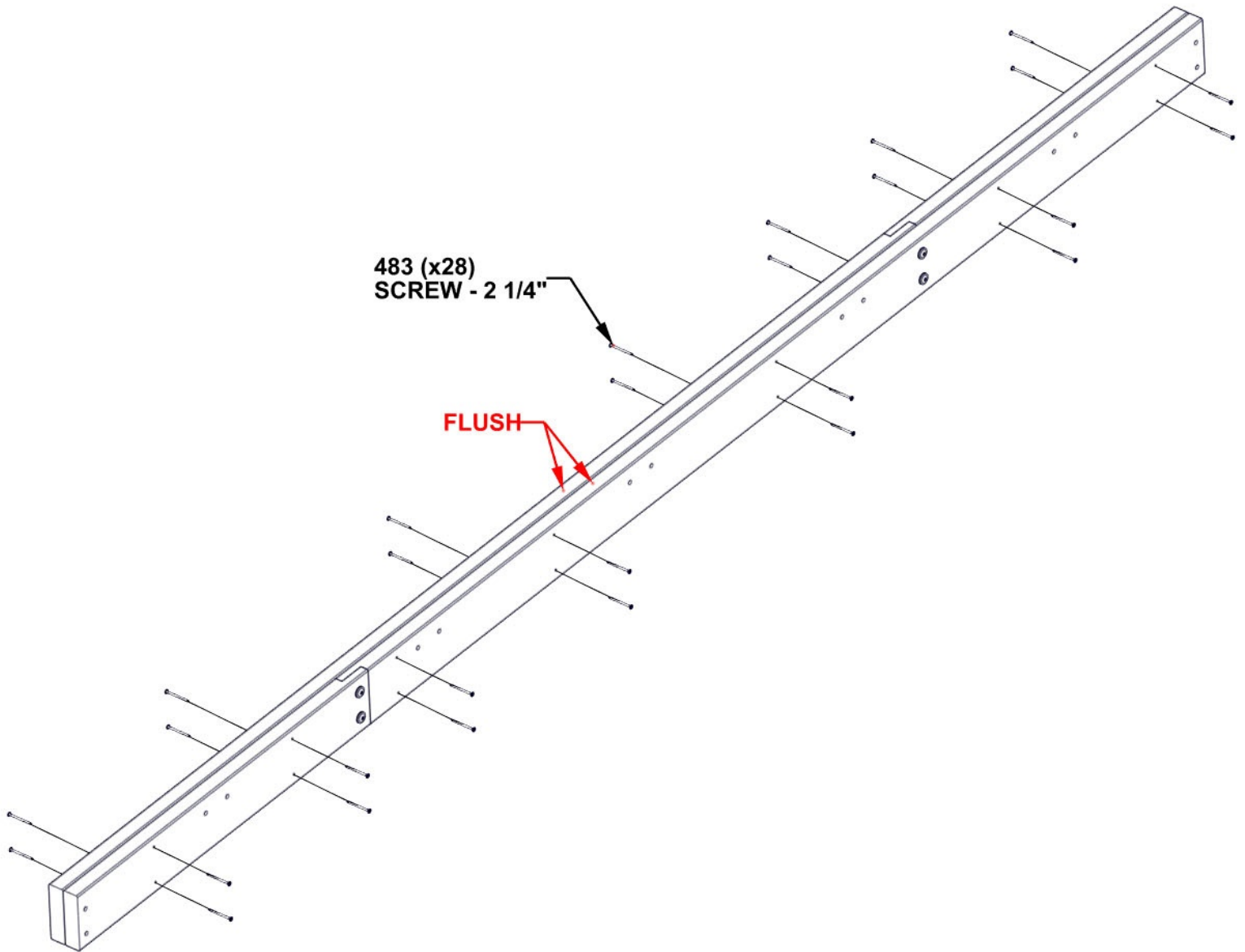


BEAM ASSEMBLY FROM PREVIOUS STEP

NOTES:

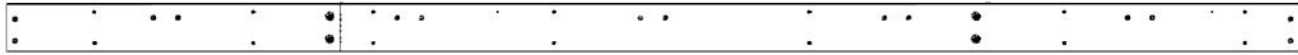
- MAKE SURE THE TOP, BOTTOM, AND ENDS OF ALL BOARDS ARE FLUSH.
- MAKE SURE ALL HOLES ARE ALIGNED WHEREAS BOLTS CAN PASS THROUGH.
- INSTALL SCREWS AS SHOWN BELOW AND TIGHTEN ALL HARDWARE

REPEAT THIS STEP TWICE



STEP 28 - GAZEBO ASSEMBLY

Qty	Part Number	Description
8	H100415	BOLT WH 5/16x3 3/4 BLK
8	H100479	NUT LOCK 5/16 BLK
8	H100630	WASHER FLAT 8x19 BLK



BEAM ASSEMBLY FROM PREVIOUS STEPS (x2)

NOTES:

- INSERT BEAM ASSEMBLIES INTO BRACKETS.
- ATTACH BEAMS TO BRACKETS USING 3 3/4" BOLTS, FLAT WASHERS & LOCK NUTS.

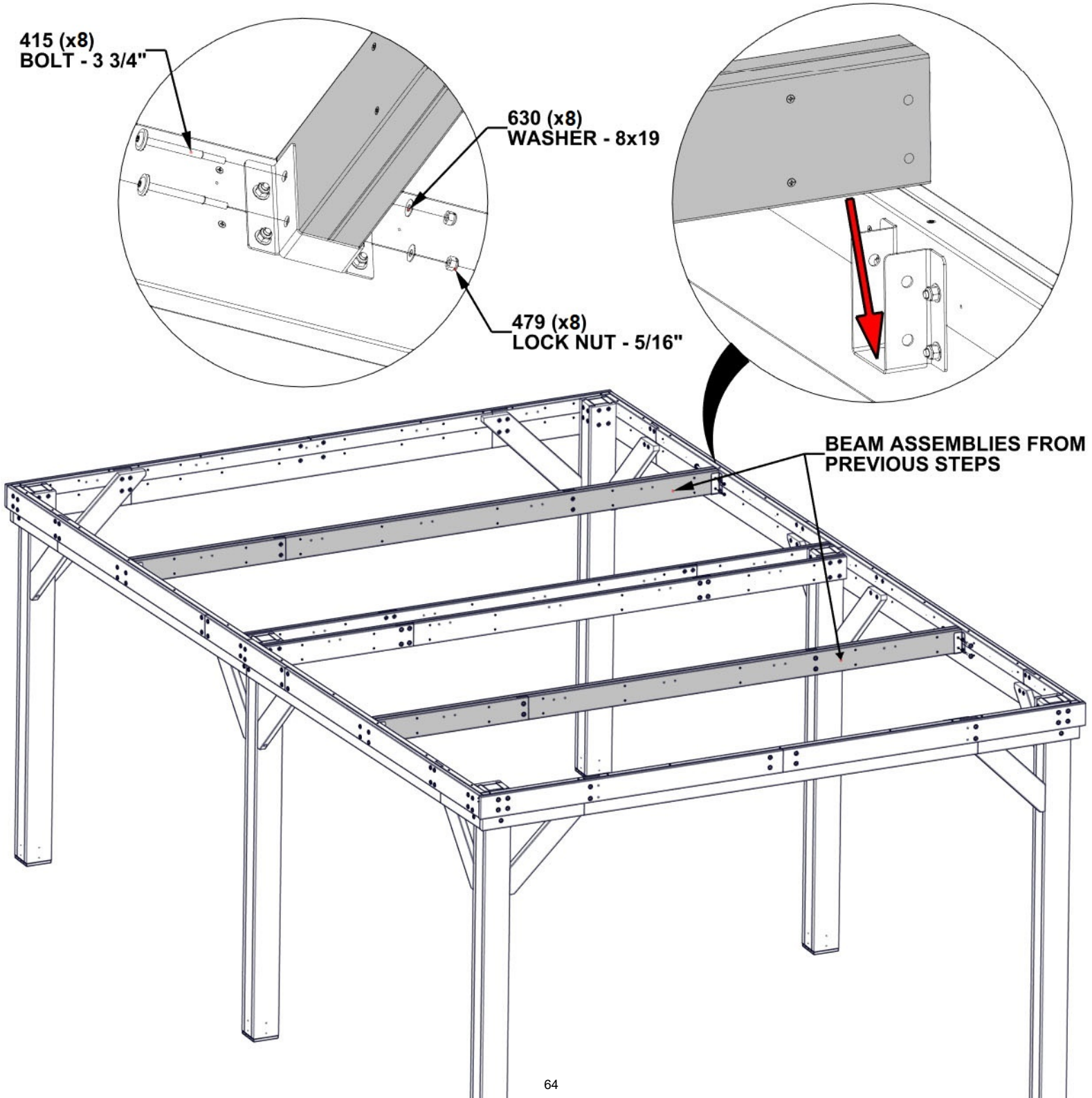
HAND TIGHTEN ONLY

415 (x8)
BOLT - 3 3/4"

630 (x8)
WASHER - 8x19

479 (x8)
LOCK NUT - 5/16"

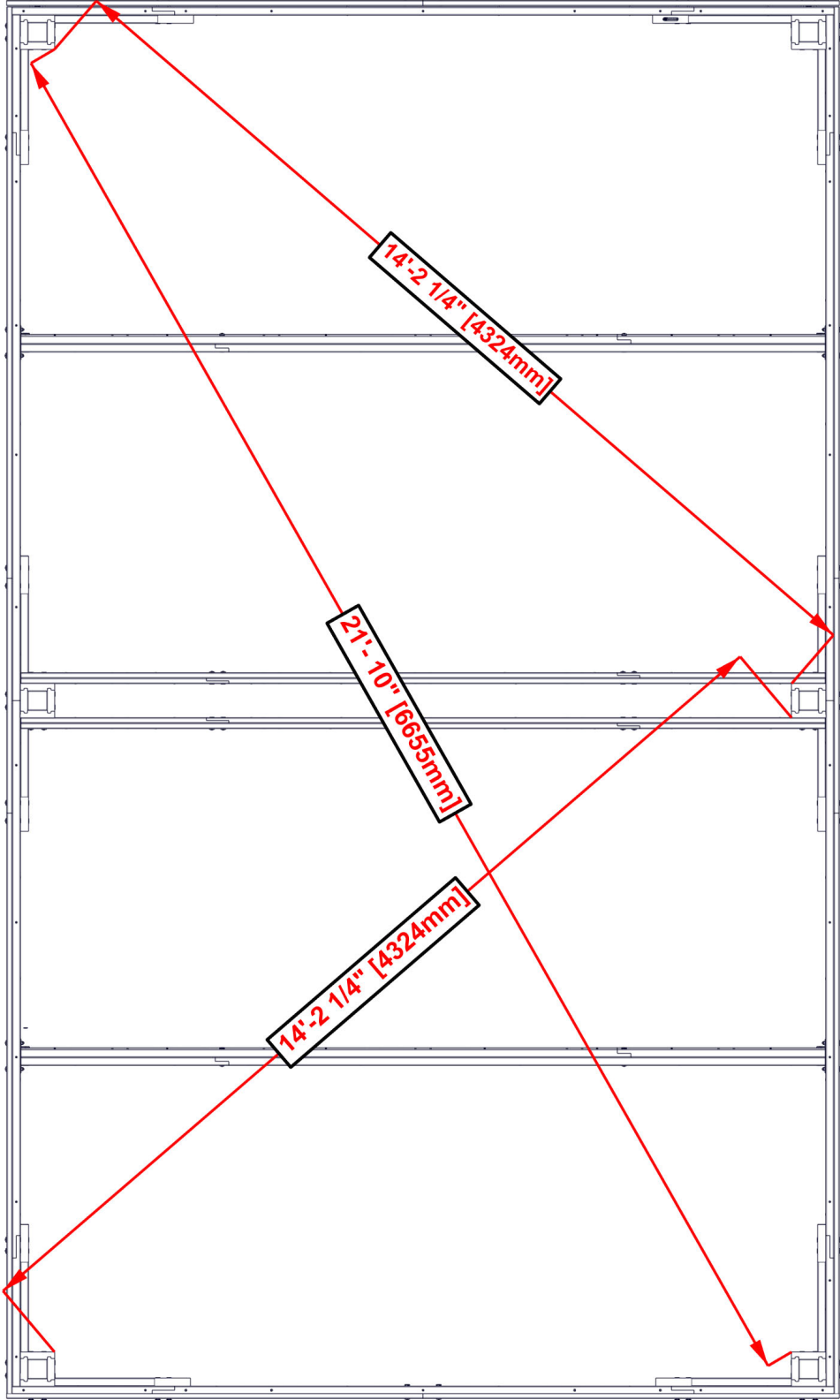
BEAM ASSEMBLIES FROM PREVIOUS STEPS



STEP 29 - SQUARE ASSEMBLY

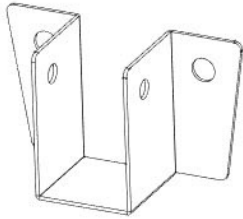
CRITICAL: SQUARE ASSEMBLY BEFORE PROCEEDING TO NEXT STEPS. ONCE SQUARE, ENSURE ALL HARDWARE IS FULLY TIGHTENED.

MEASUREMENTS TAKE FROM INSIDE OF POST TO INSIDE OF POST.



STEP 30 - GAZEBO ASSEMBLY

Qty	Part Number	Description
10	H100459	BOLT WH 5/16x1 1/4 BLK



A4M01787 - RAFTER BRACKET
(x5)

ALIGN RAFTER BRACKETS WITH HOLES
IN BEAM AND ATTACH AS SHOWN.

459 (x10)
BOLT - 1 1/4"

1787 (x5)
RAFTER BRACKET

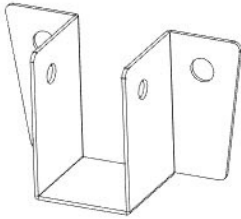
RIGHT

FRONT

LEFT

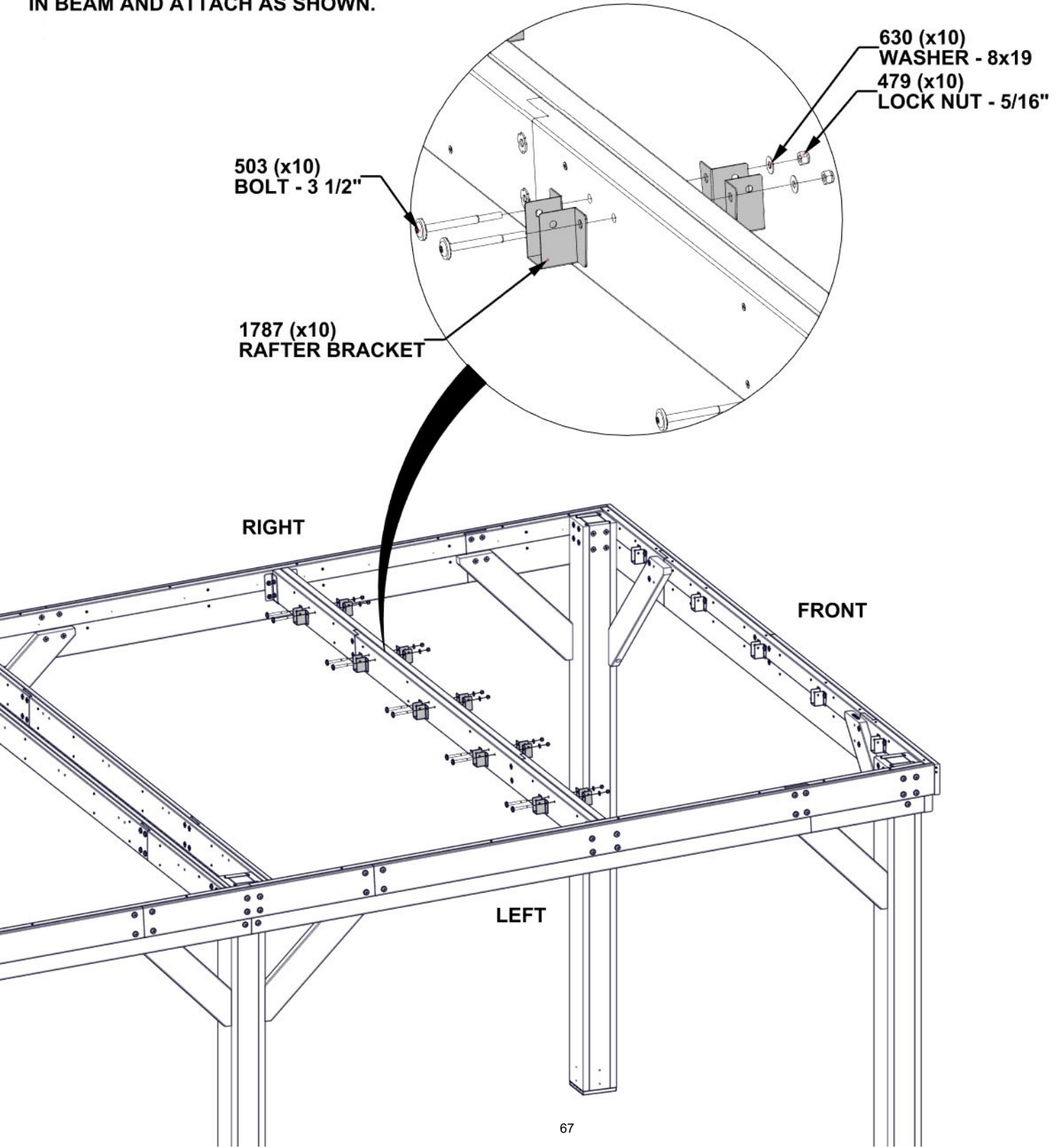
STEP 31 - GAZEBO ASSEMBLY

Qty	Part Number	Description
10	H100479	NUT LOCK 5/16 BLK
10	H100503	BOLT WH 5/16x3 1/2 BLK
10	H100630	WASHER FLAT 8x19 BLK



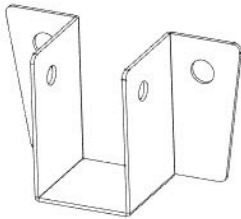
A4M01787 - RAFTER BRACKET
(x10)

ALIGN RAFTER BRACKETS WITH HOLES IN BEAM AND ATTACH AS SHOWN.



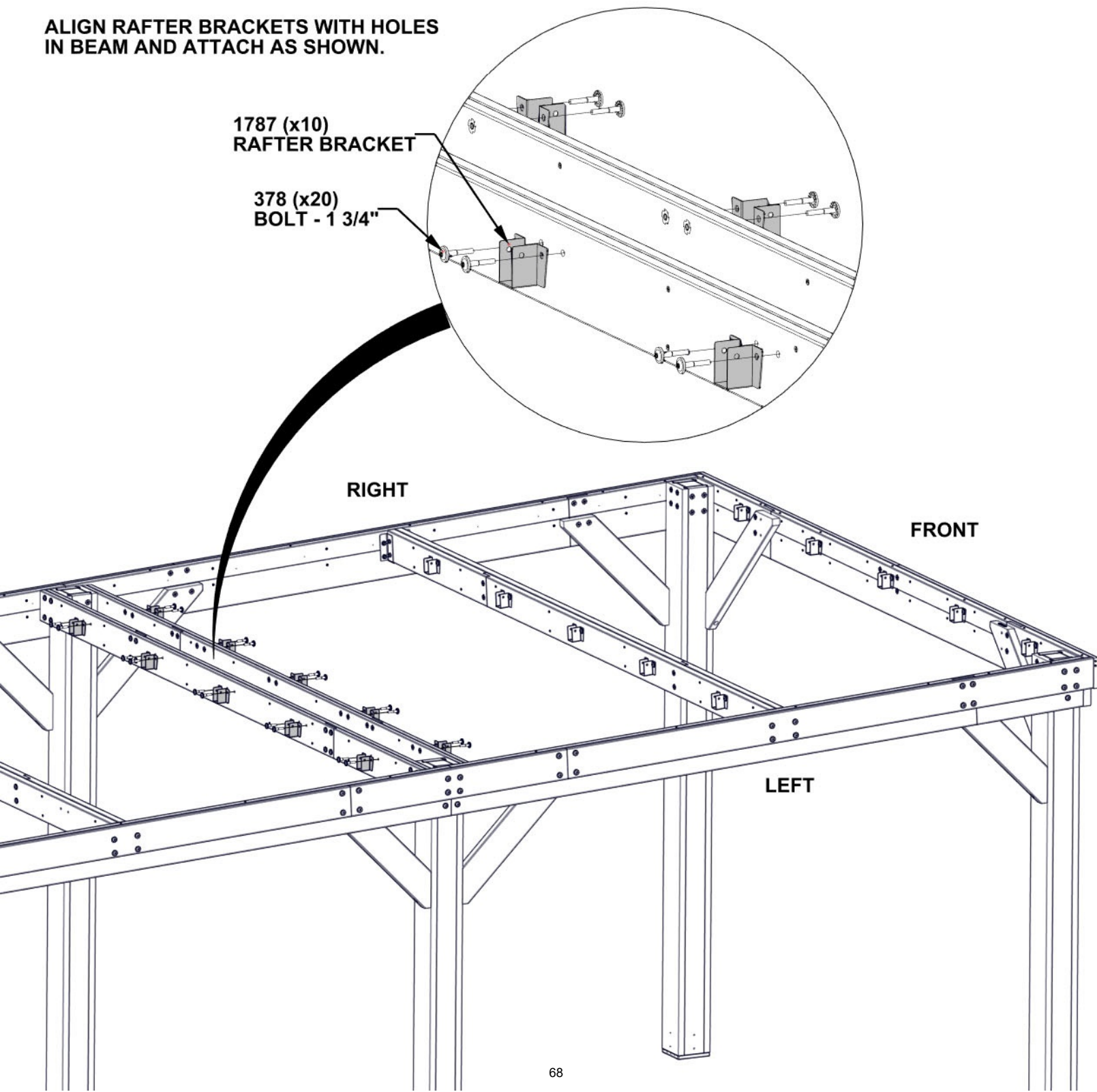
STEP 32 - GAZEBO ASSEMBLY

Qty	Part Number	Description
20	H100378	BOLT WH 5/16x1 3/4 BLK



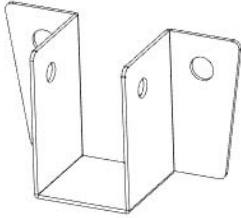
A4M01787 - RAFTER BRACKET
(x10)

ALIGN RAFTER BRACKETS WITH HOLES
IN BEAM AND ATTACH AS SHOWN.



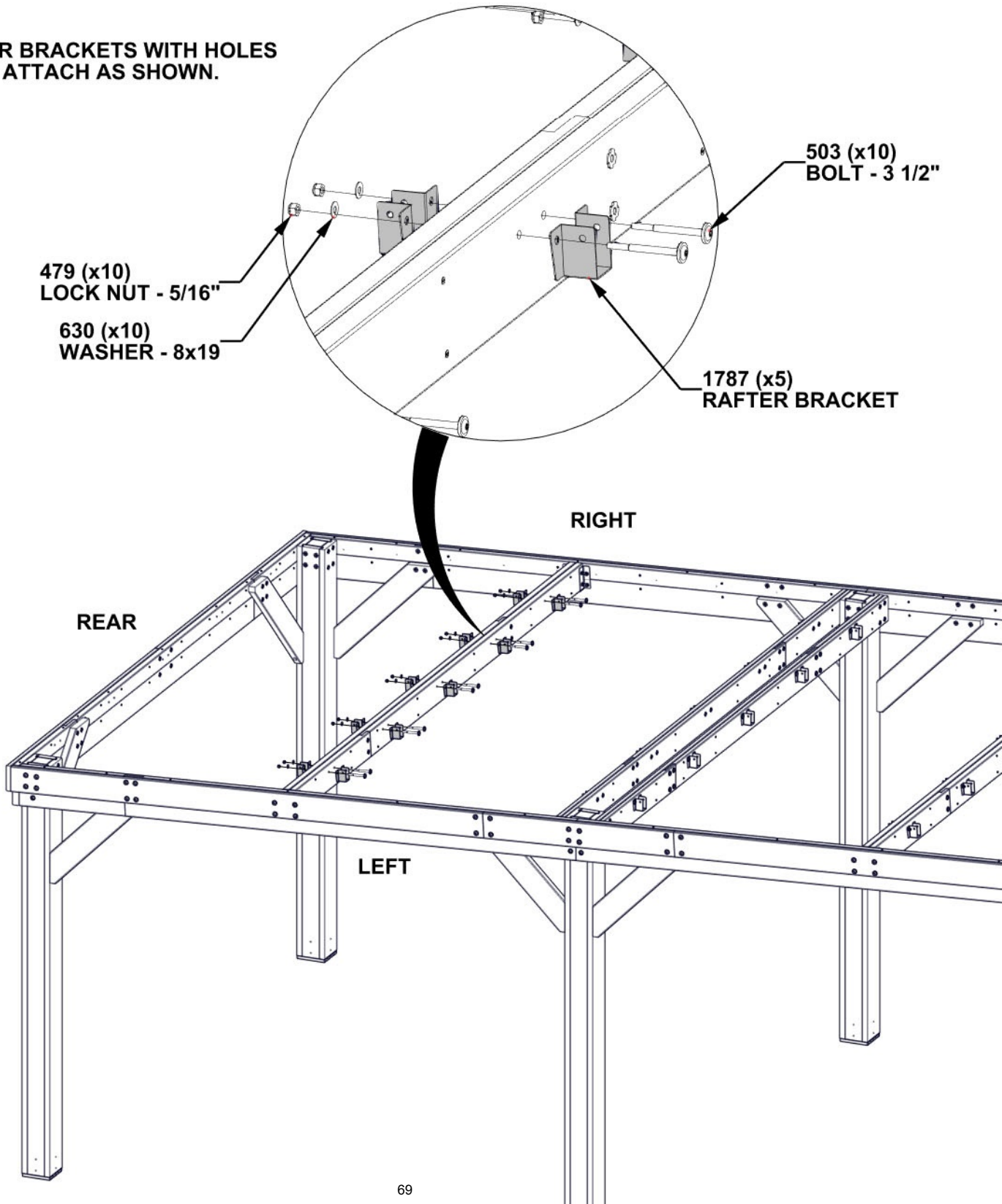
STEP 33 - GAZEBO ASSEMBLY

Qty	Part Number	Description
10	H100479	NUT LOCK 5/16 BLK
10	H100503	BOLT WH 5/16x3 1/2 BLK
10	H100630	WASHER FLAT 8x19 BLK



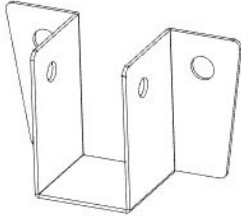
A4M01787 - RAFTER BRACKET
(x10)

ALIGN RAFTER BRACKETS WITH HOLES IN BEAM AND ATTACH AS SHOWN.



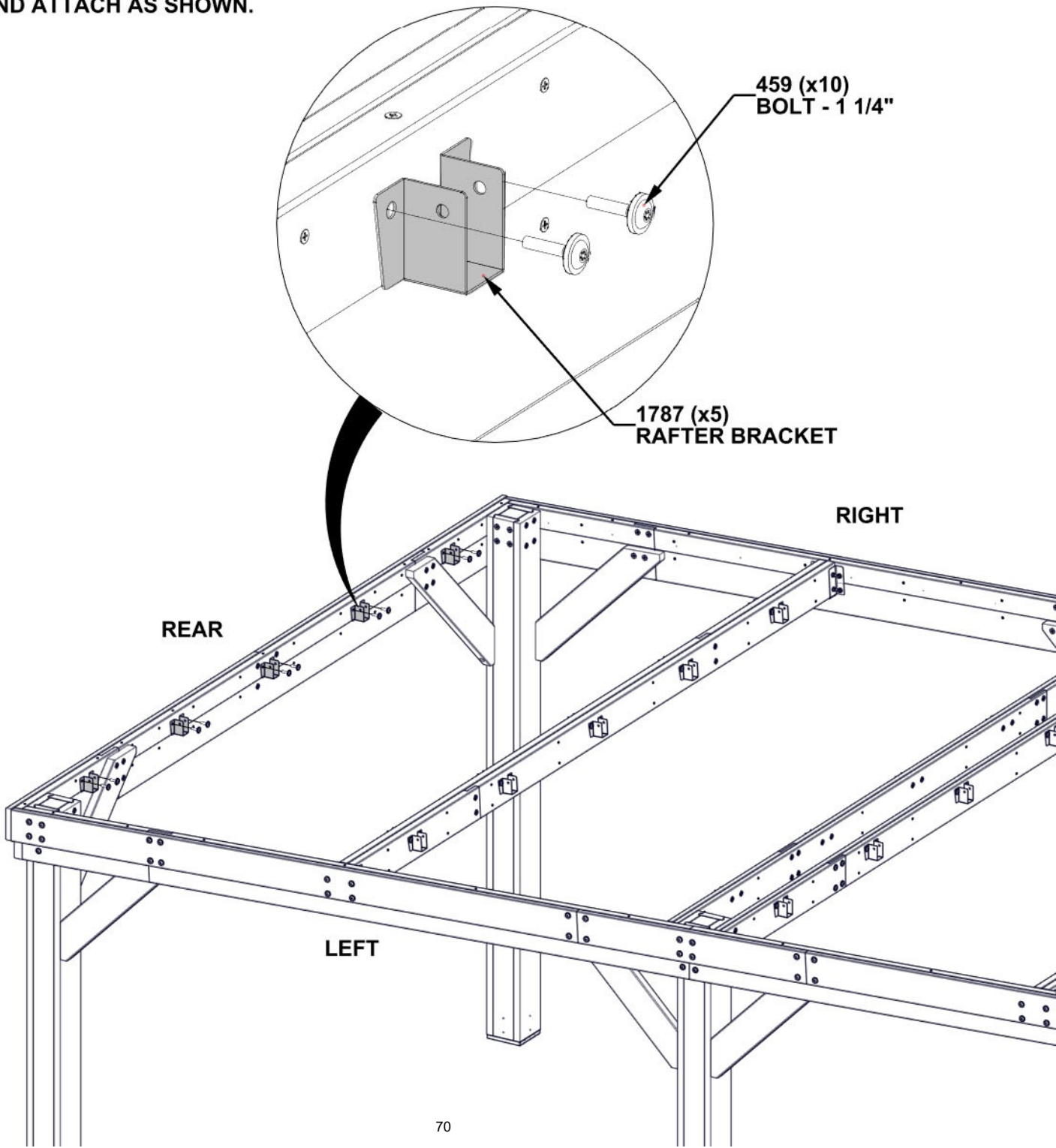
STEP 34 - GAZEBO ASSEMBLY

Qty	Part Number	Description
10	H100459	BOLT WH 5/16x1 1/4 BLK



A4M01787 - RAFTER BRACKET
(x5)

ALIGN RAFTER BRACKETS WITH HOLES
IN BEAM AND ATTACH AS SHOWN.



STEP 35 - GAZEBO ASSEMBLY

Qty	Part Number	Description
20	H100488	BOLT WH 1/4x2 BLK
20	H100630	WASHER FLAT 8x19 BLK
20	H100653	NUT LOCK 1/4 BLK



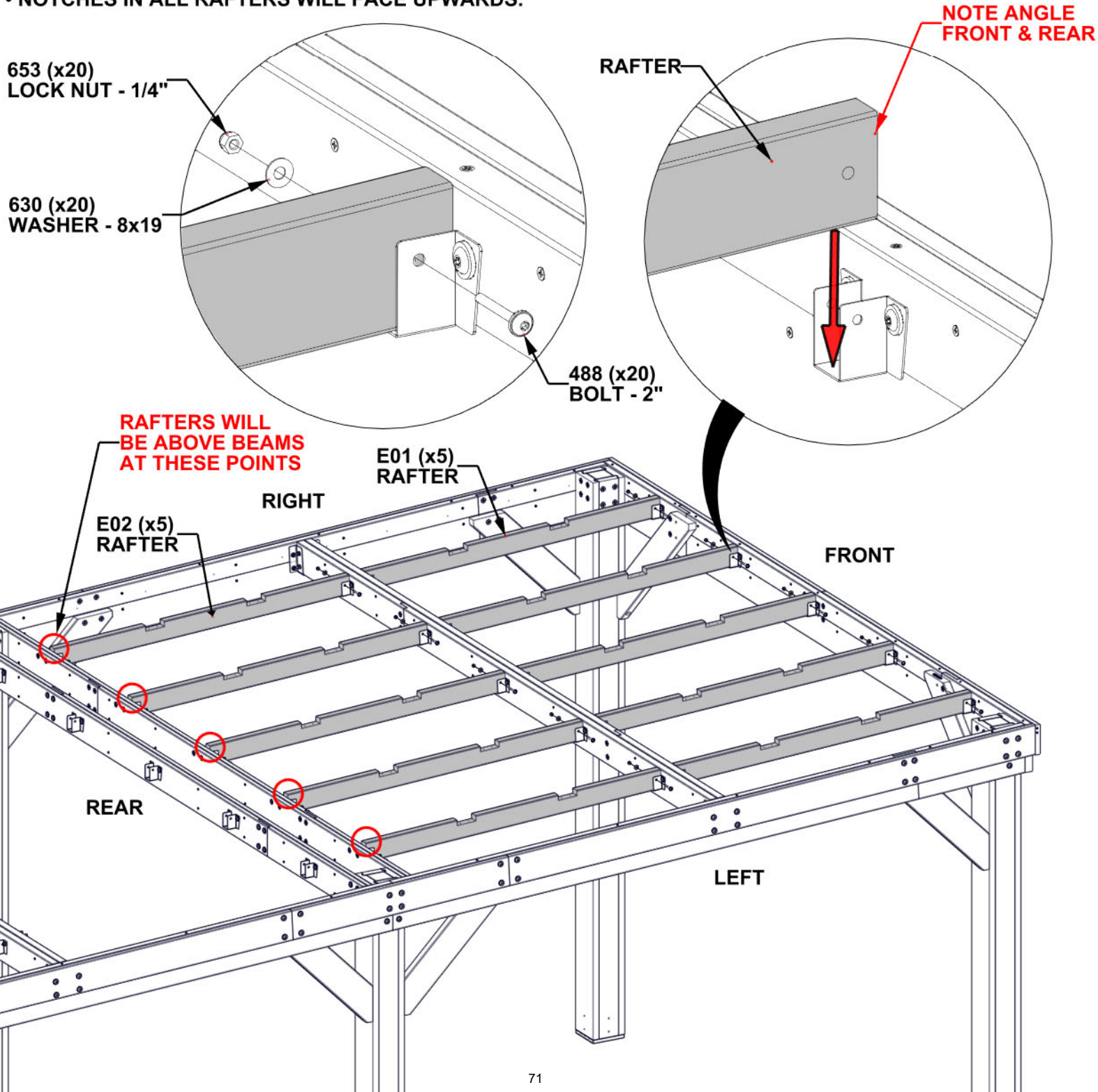
E01 RAFTER - W4L17588
(x5) 1 7/16"x36x56 1/16" (36x86x1424)



E02 RAFTER - W4L17589
(x5) 1 7/16"x3 3/8"x56 1/4" (36x86x1429)

NOTES:

- INSERT RAFTERS INTO BRACKETS.
- ATTACH RAFTERS TO BRACKETS USING 2" BOLTS, FLAT WASHERS & LOCK NUTS.
- NOTCHES IN ALL RAFTERS WILL FACE UPWARDS.



STEP 36 - GAZEBO ASSEMBLY

Qty	Part Number	Description
20	H100488	BOLT WH 1/4x2 BLK
20	H100630	WASHER FLAT 8x19 BLK
20	H100653	NUT LOCK 1/4 BLK



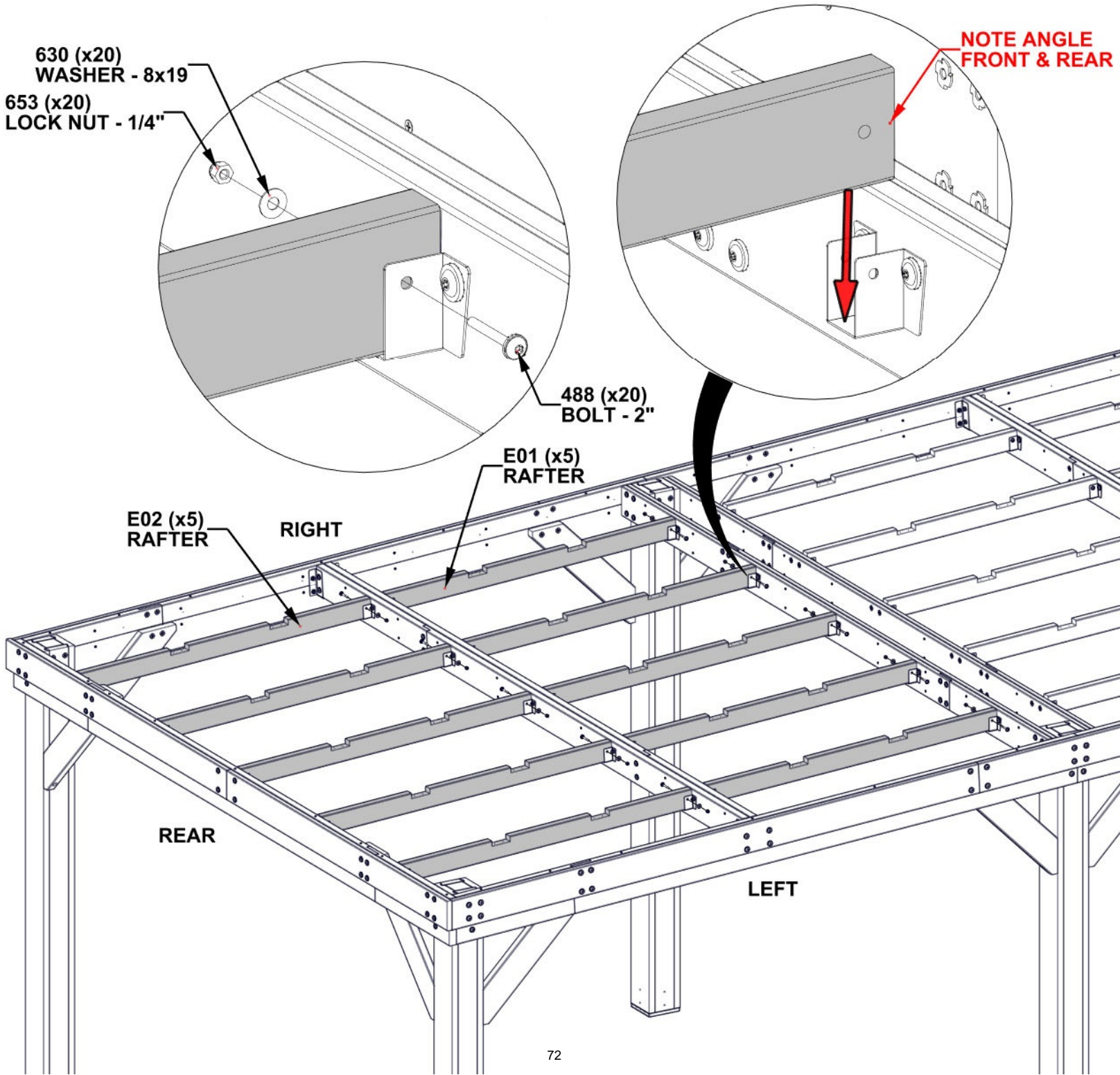
E01 RAFTER - W4L17588
(x5) 1 7/16"x36x56 1/16" (36x86x1424)



E02 RAFTER - W4L17589
(x5) 1 7/16"x3 3/8"x56 1/4" (36x86x1429)

NOTES:

- INSERT RAFTERS INTO BRACKETS.
- ATTACH RAFTERS TO BRACKETS USING 2" BOLTS, FLAT WASHERS & LOCK NUTS.
- NOTCHES IN ALL RAFTERS WILL FACE UPWARDS.



STEP 37A - GAZEBO ASSEMBLY

Qty	Part Number	Description
20	H100391	SCREW PFH 8x2 BLK

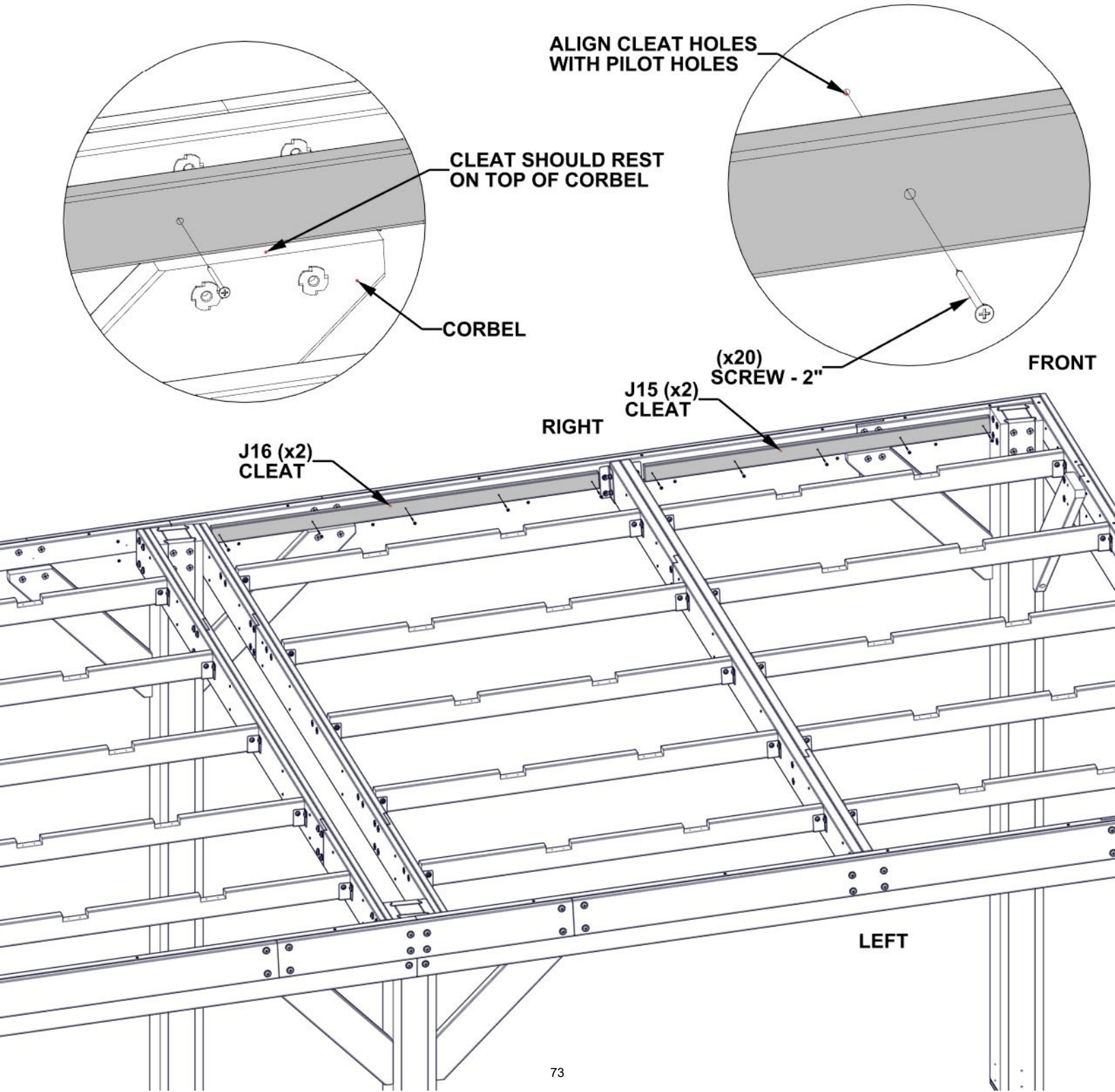


J15 CLEAT - W4L17604
(x2) 15/16"x2 3/8"x48 1/8" (24x60x1222)



J16 CLEAT - W4L17605
(x2) 15/16"x2 3/8"x53 15/16" (24x60x1370)

NOTE:
• REPEAT CLEAT INSTALLATION ON OPPOSITE SIDE OF CARPORT



STEP 37B - GAZEBO ASSEMBLY

Qty	Part Number	Description
20	H100391	SCREW PFH 8x2 BLK

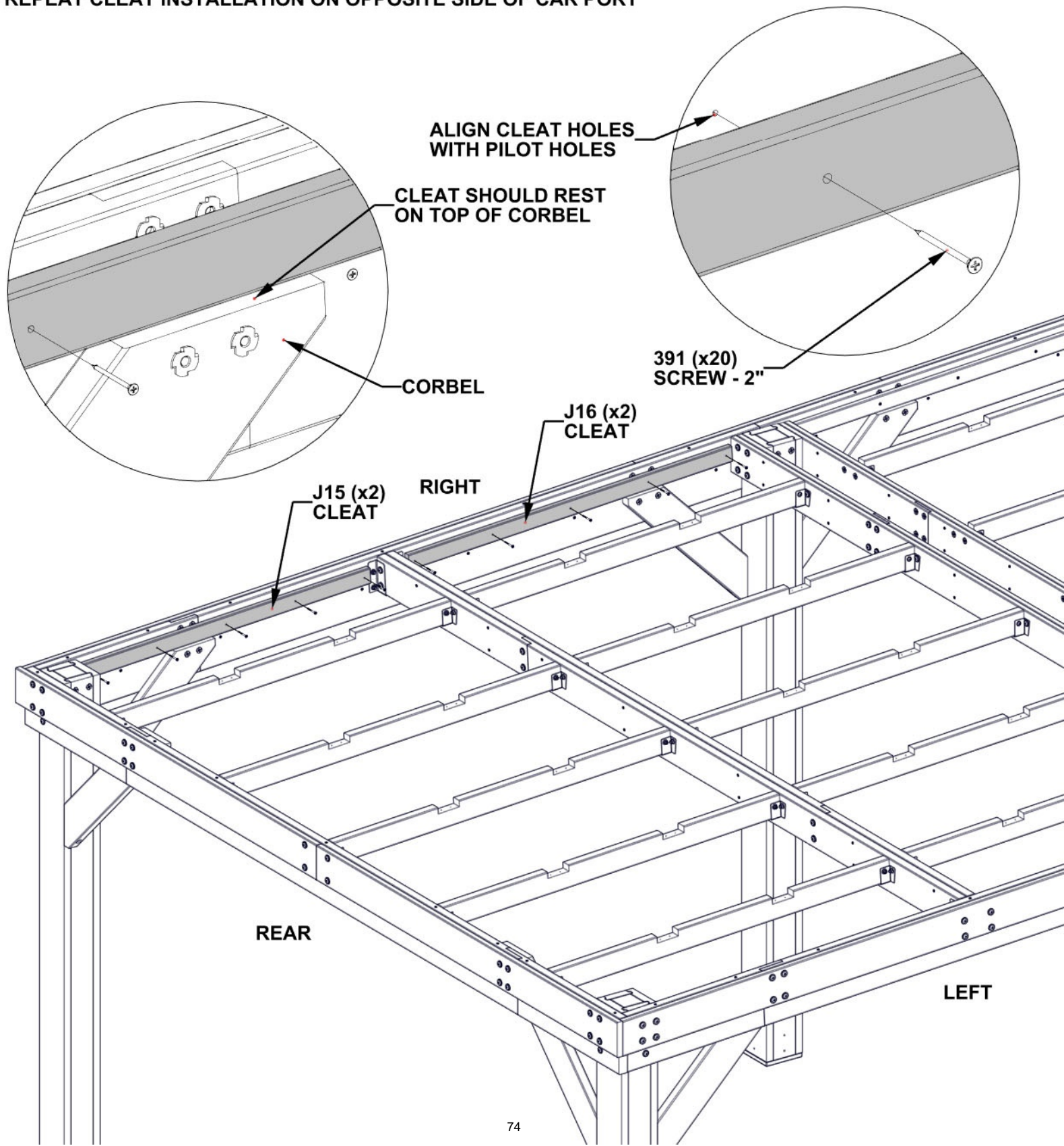


J15 CLEAT - W4L17604
(x2) 15/16"x2 3/8"x48 1/8" (24x60x1222)



J16 CLEAT - W4L17605
(x2) 15/16"x2 3/8"x53 15/16" (24x60x1370)

NOTE:
• REPEAT CLEAT INSTALLATION ON OPPOSITE SIDE OF CAR PORT



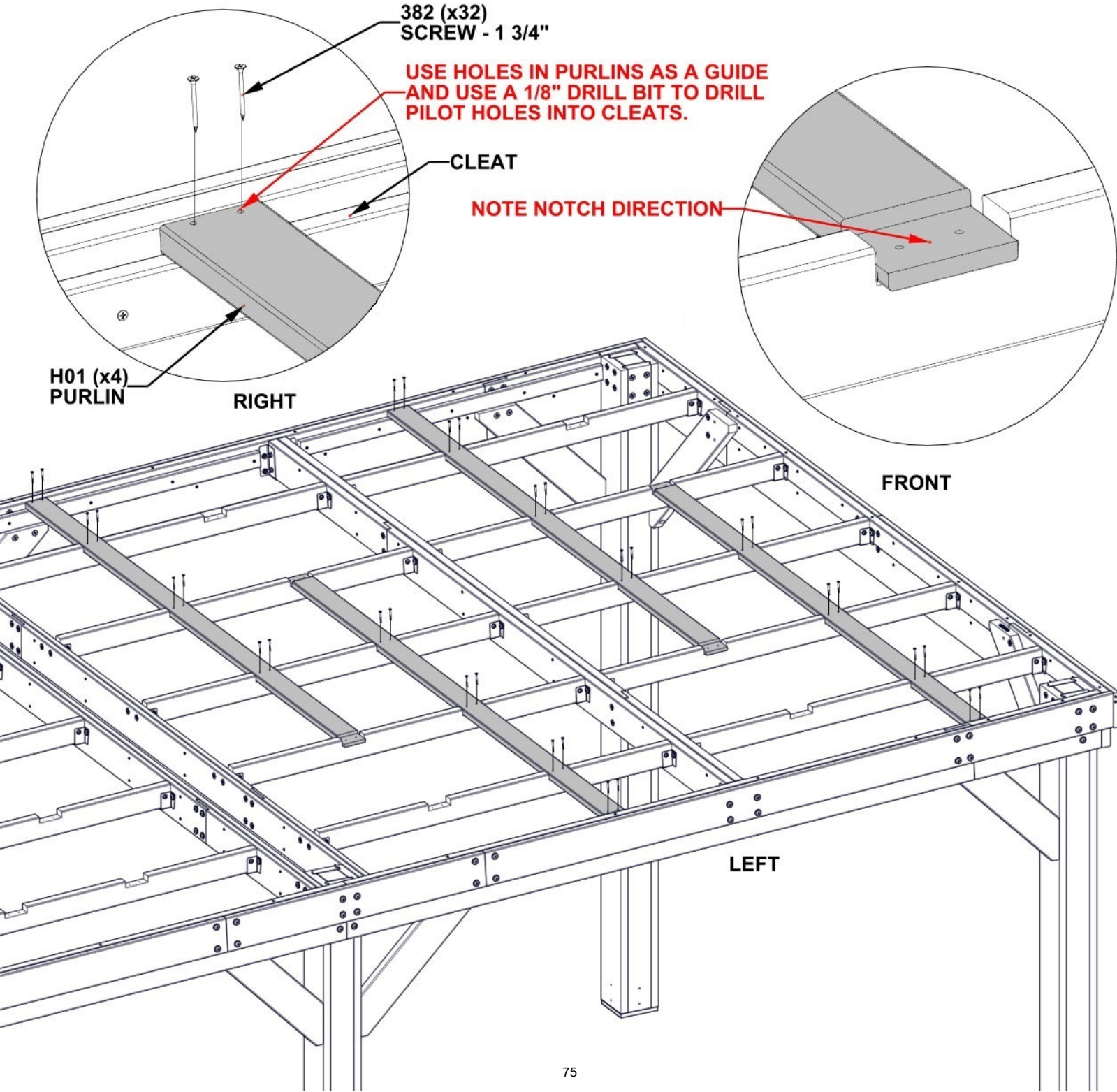
STEP 38A - GAZEBO ASSEMBLY

Qty	Part Number	Description
32	H100382	SCREW PFH 8x1 3/4 BLK



H01 PURLIN - W4L17590
(x4) 15/16"x3 3/8"x98 3/16" (24x86x2494)

NOTES:
• POSITION PURLINS AS SHOWN BELOW



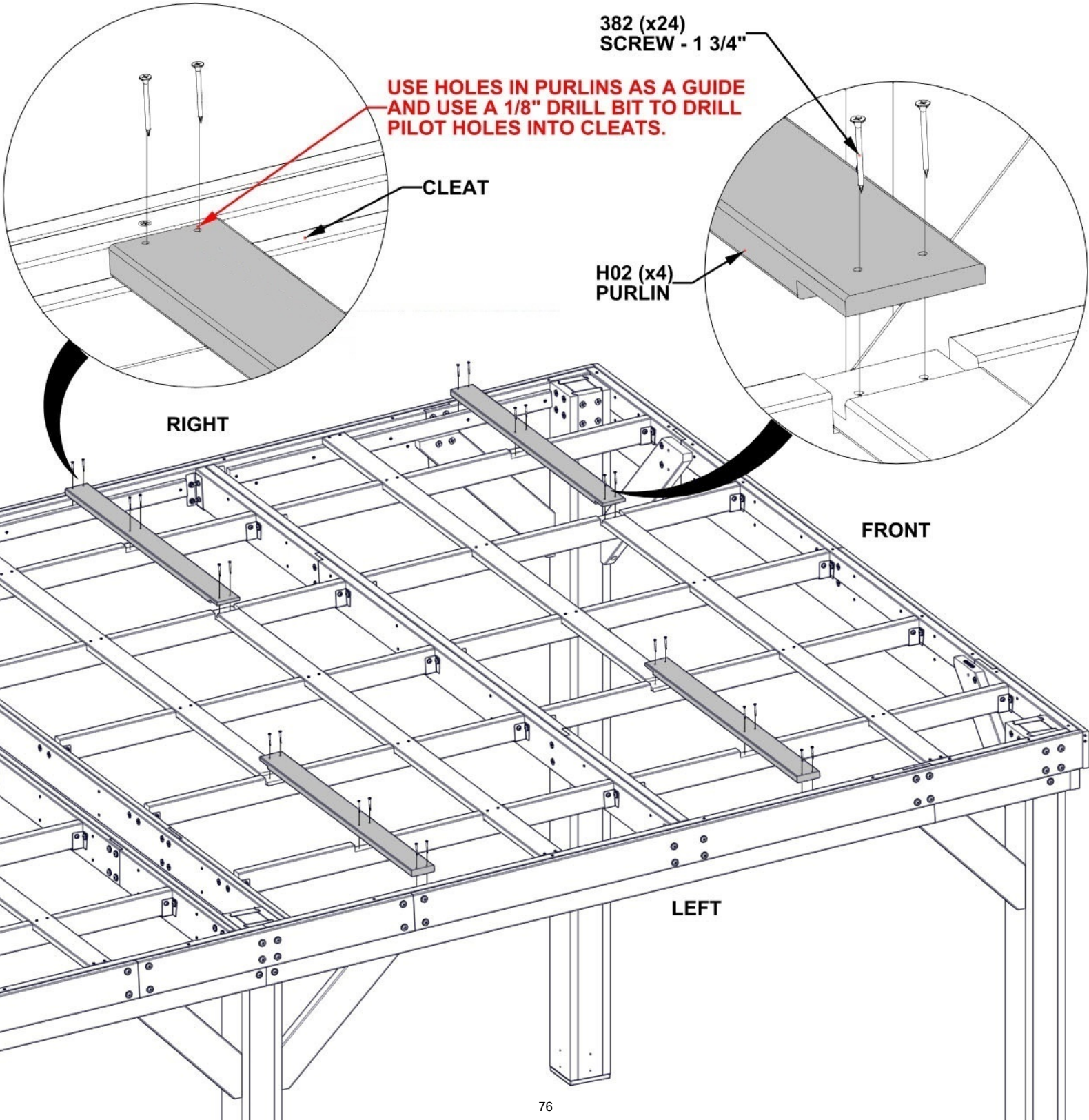
STEP 38B - GAZEBO ASSEMBLY

Qty	Part Number	Description
24	H100382	SCREW PFH 8x1 3/4 BLK



H02 PURLIN - W4L17591
(x4) 15/16"x3 3/8"x45 1/8" (24x86x1146)

NOTES:
• POSITION PURLINS AS SHOWN BELOW



STEP 39A - GAZEBO ASSEMBLY

Qty	Part Number	Description
32	H100382	SCREW PFH 8x1 3/4 BLK

H01 PURLIN - W4L17590
(x4) 15/16"x3 3/8"x98 3/16" (24x86x2494)

NOTES:
• POSITION PURLINS AS SHOWN BELOW

NOTE NOTCH DIRECTION

382 (x32)
SCREW - 1 3/4"

USE HOLES IN PURLINS AS A GUIDE
AND USE A 1/8" DRILL BIT TO DRILL
PILOT HOLES INTO CLEATS.

CLEAT

H01 (x4)
PURLIN

RIGHT

REAR

LEFT

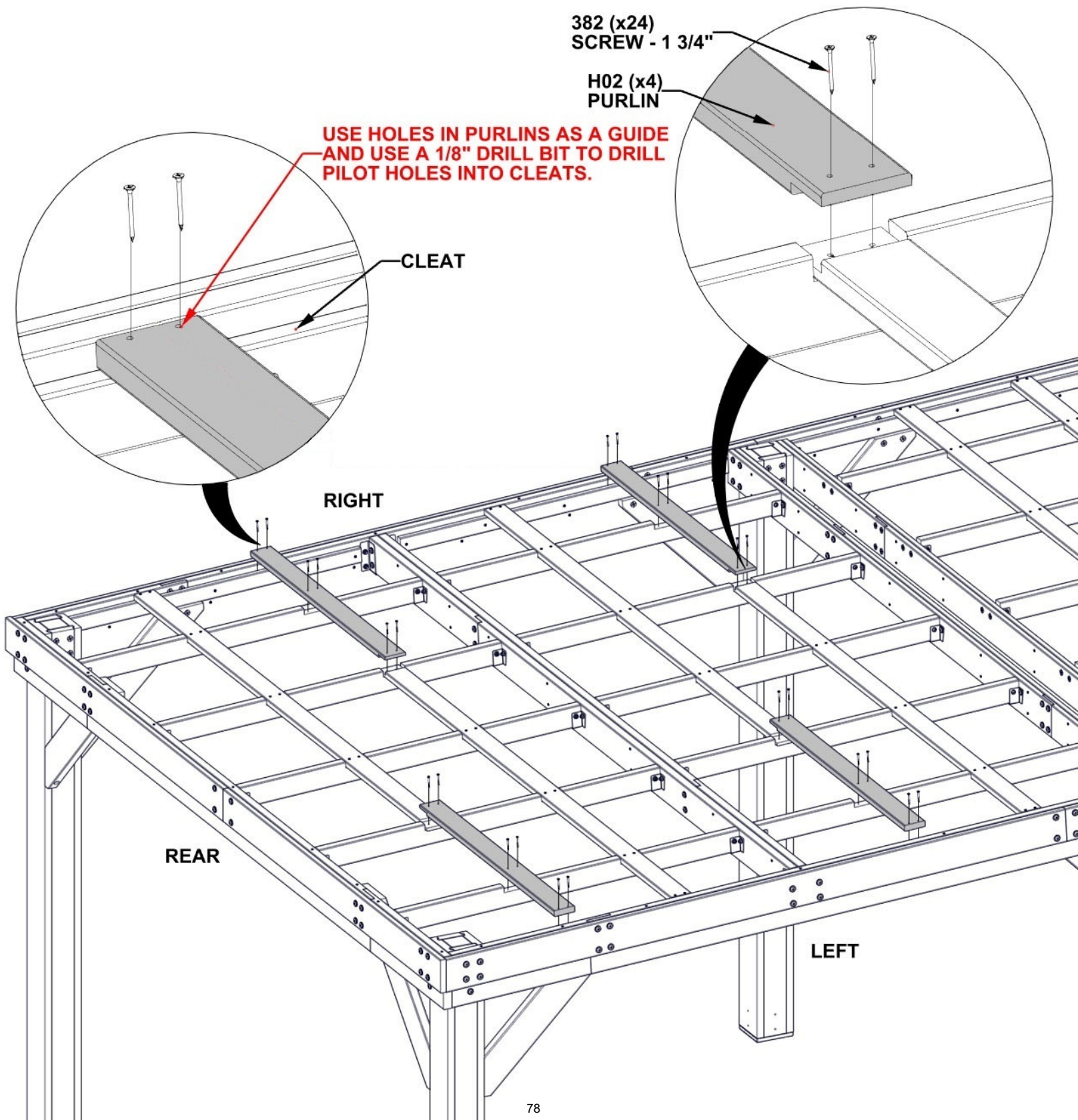
STEP 39B - GAZEBO ASSEMBLY

Qty	Part Number	Description
24	H100382	SCREW PFH 8x1 3/4 BLK

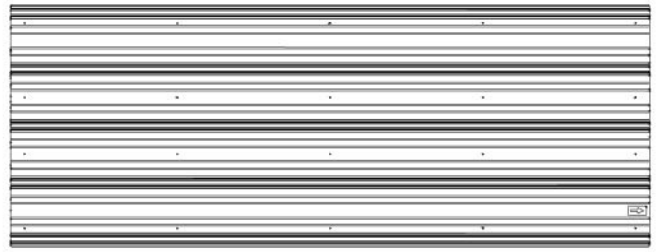


H02 PURLIN - W4L17591
(x4) 15/16"x3 3/8"x45 1/8" (24x86x1146)

NOTES:
• POSITION PURLINS AS SHOWN BELOW



STEP 40A - GAZEBO ASSEMBLY



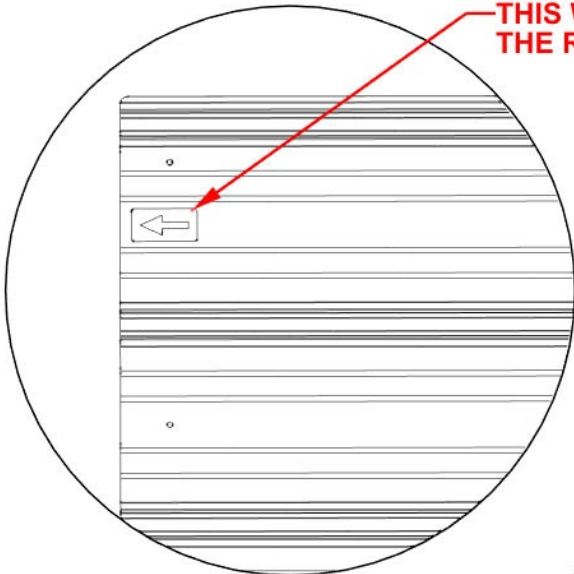
A4M02960 29GA SHEETING
(x5)

WARNING GLOVES ARE RECOMMENDED WHEN HANDLING STEEL ROOF PIECES.

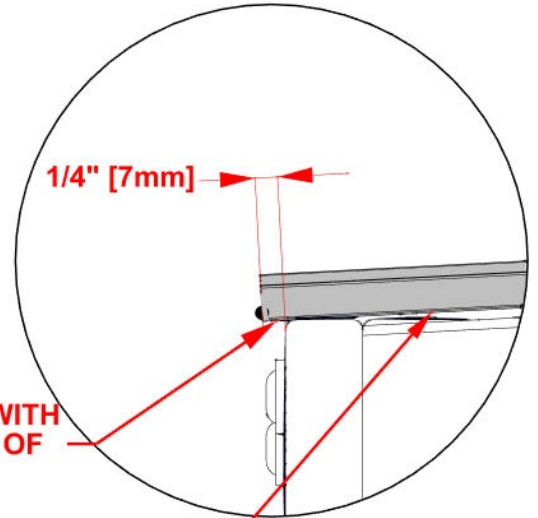
NOTES:

- REMOVE BLUE FILM FROM ROOF PANELS.
- ORIENT ROOF PANELS AS SHOWN BELOW.
- IT IS IMPORTANT TO HOLD THE 1/4" OVERHANG AT THE BACK OF THE UNIT SO TRIM PIECES WILL FIT CORRECTLY IN FUTURE STEPS.
- ATTACH ONE SHEET AT A TIME, DO NOT GET ON THE ROOF TO ATTACH SCREWS.
- SEE NEXT STEP FOR FASTENING REQUIREMENTS.

**NOTE DIRECTION ARROW.
THIS WILL FACE TOWARDS
THE REAR OF THE UNIT.**



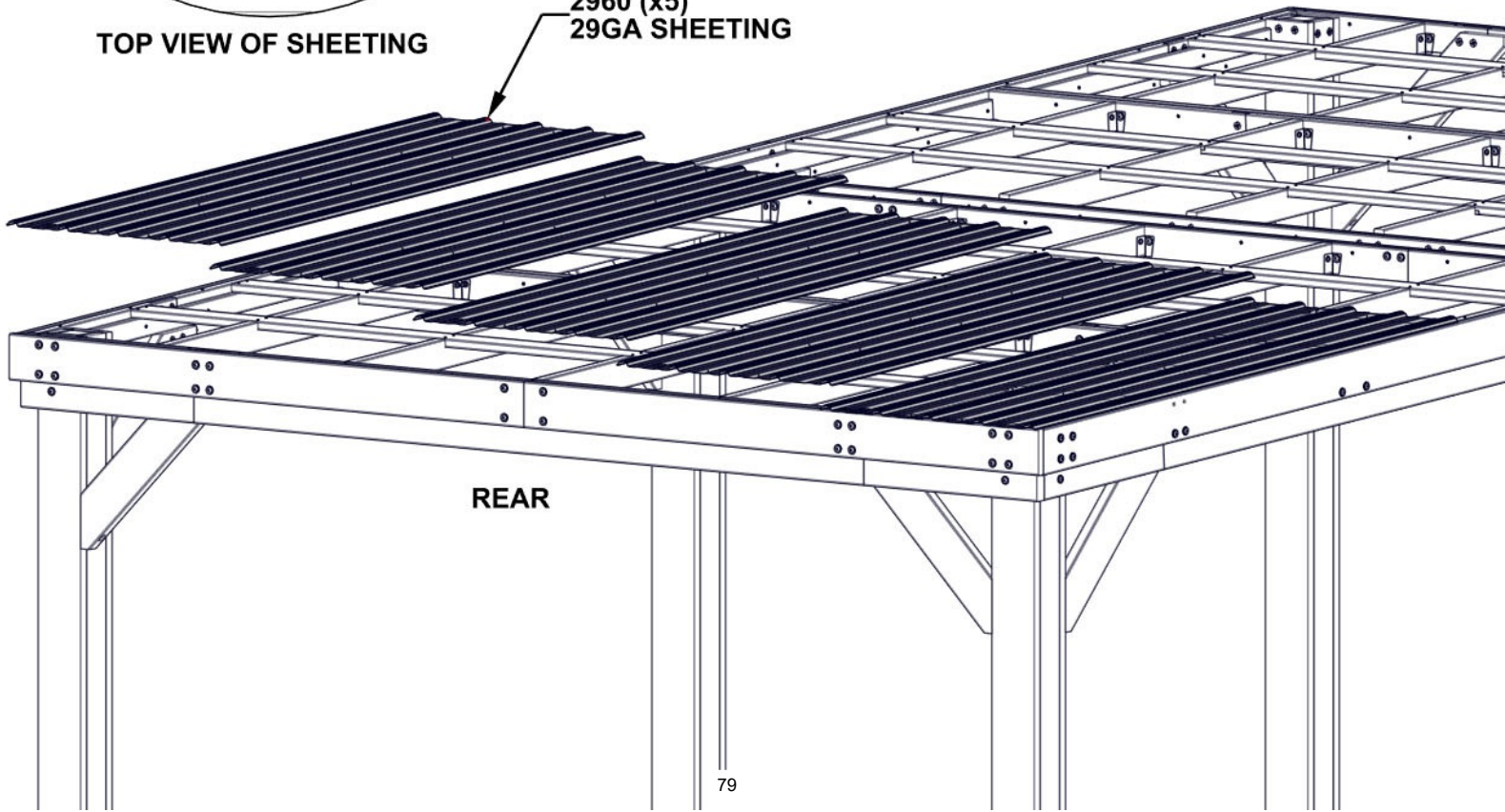
TOP VIEW OF SHEETING



**ORIENT FIRST PANEL WITH
A 1/4" OVERHANG OFF OF
THE REAR AS SHOWN.**

**FIRST SHEET TO BE
FLUSH WITH THE SIDE**

2960 (x5)
29GA SHEETING

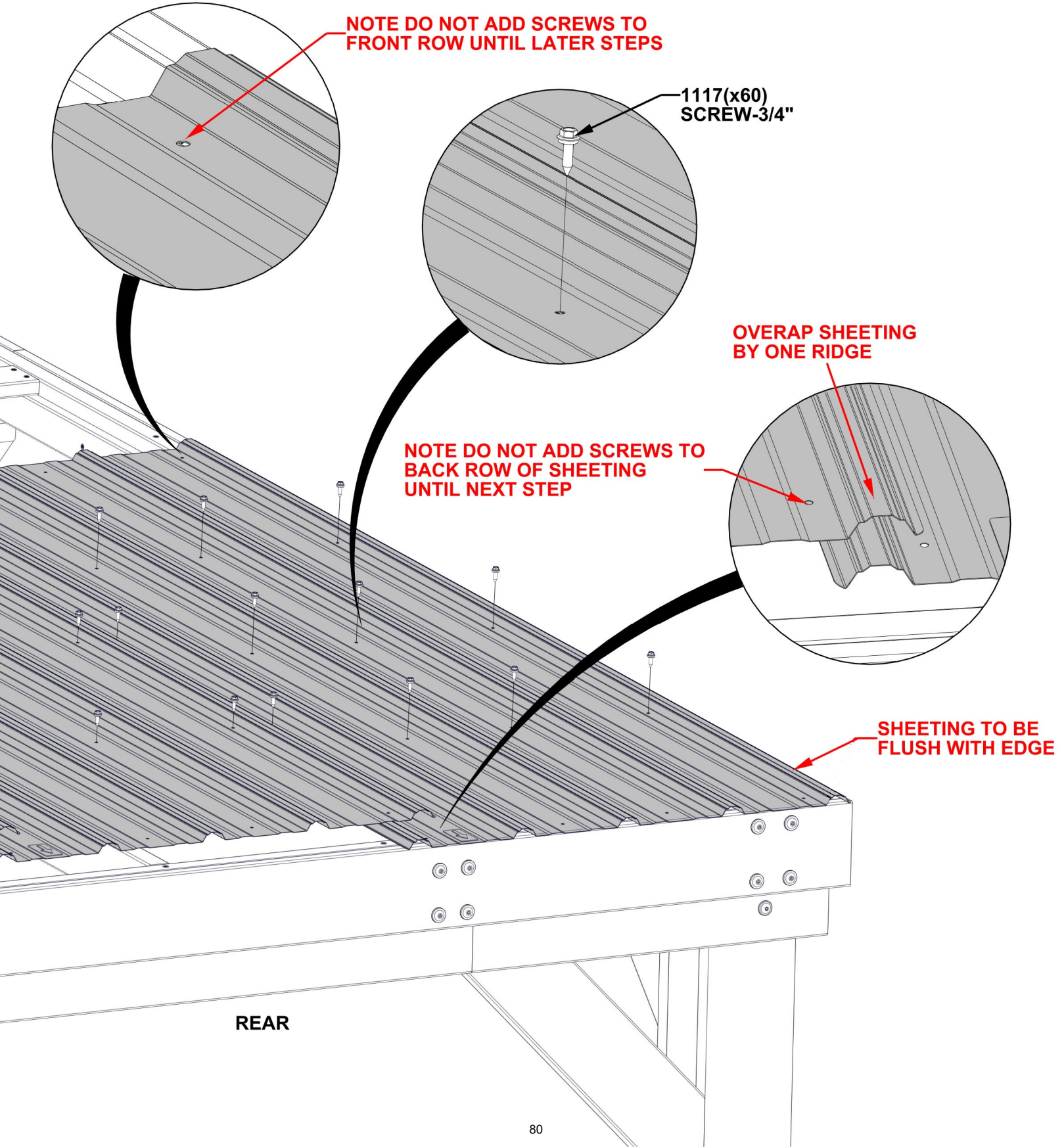


REAR

STEP 40B - GAZEBO ASSEMBLY

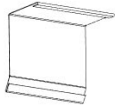
Qty	PART NUMBER	DESCRIPTION
60	H101117	SCREW WOODGRIP 10-16x3/4" BLK

WARNING GLOVES ARE RECOMMENDED WHEN HANDLING STEEL ROOF PIECES.

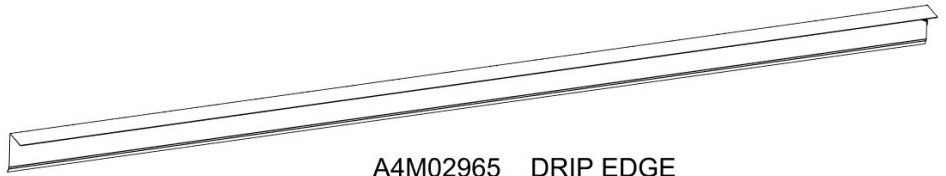


STEP 40C - GAZEBO ASSEMBLY

Qty	PART NUMBER	DESCRIPTION
20	H101117	SCREW WOODGRIP 10-16x3/4" BLK



A4M02794 DRIP EDGE SPLICE
(x1)



A4M02965 DRIP EDGE
(x2)

WARNING GLOVES ARE RECOMMENDED WHEN HANDLING STEEL ROOF PIECES.

NOTES:

- REMOVE BLUE FILM FROM DRIP EDGE AND DRIP EDGE SPLICE.
- ORIENT DRIP EDGE AND SPLICE AS SHOWN BELOW.
- ATTACH USING HOLES IN SHEETING. DO NOT GET ON ROOF TO ATTACH SCREWS.

SLIDE DRIP EDGE UNDERNEATH SHEETING. PUSH ALL THE WAY BACK UNTIL IT IS FLUSH WITH BACKSIDE OF SHEETING

1117(x20)
SCREW-3/4"

DRIP EDGE

DRIP EDGE SPLICE

DRIP EDGE

FLUSH WITH SIDES

SLIDE DRIP EDGE INTO DRIP
EDGE SPLICE BEFORE PUSHING
UNDERNEATH SHEETING

2965 (x1)
DRIP EDGE

BACK

2794 (x1)
DRIP EDGE SPLICE

2965 (x1)
DRIP EDGE

STEP 40D - GAZEBO ASSEMBLY

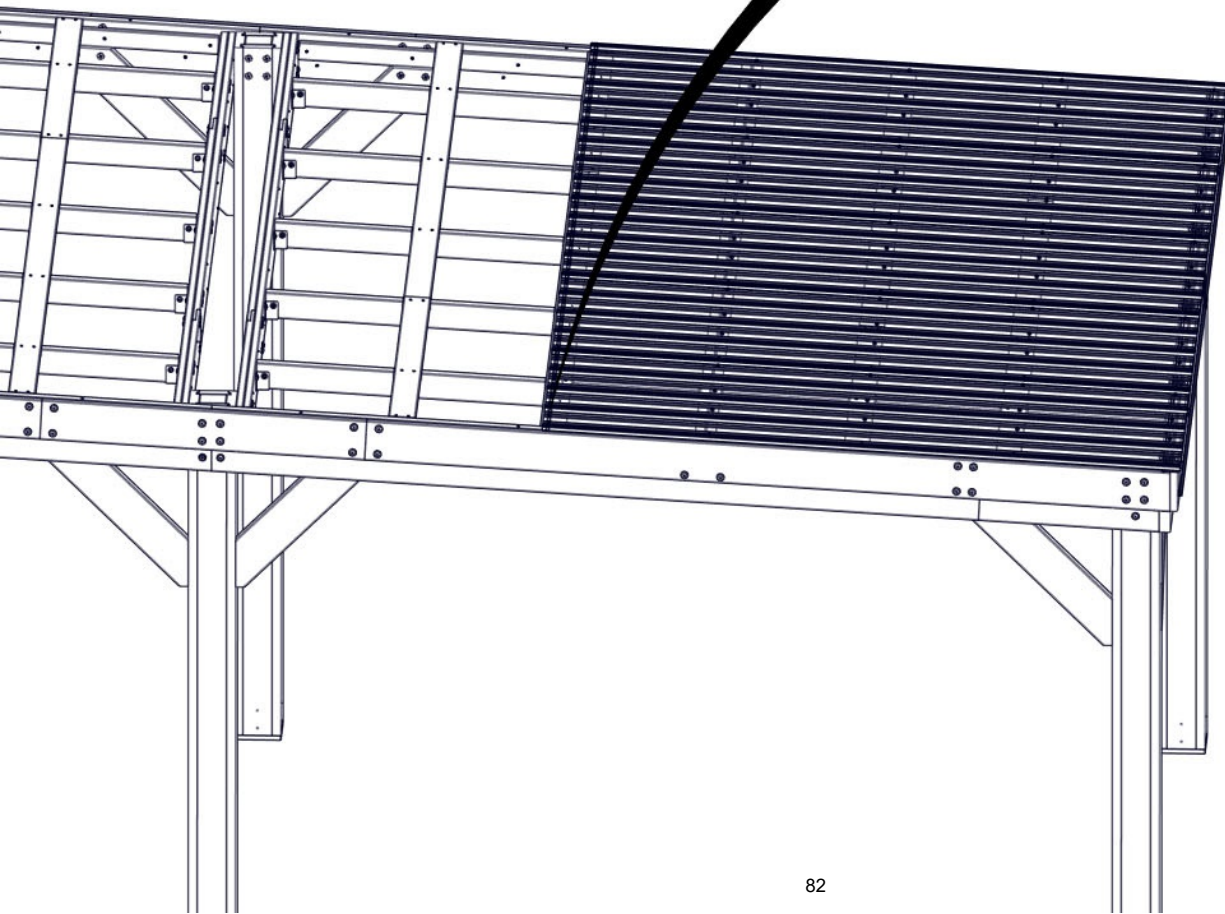
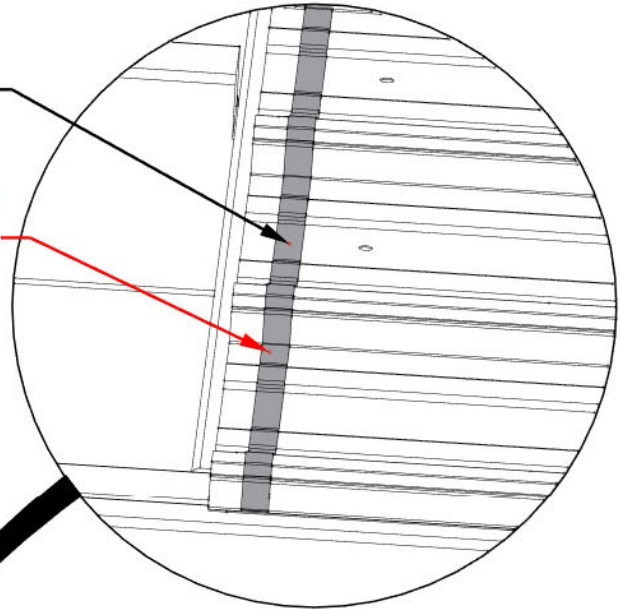


A6P00556 WEATHER TAPE
(x1)

WARNING GLOVES ARE RECOMMENDED WHEN HANDLING STEEL ROOF PIECES.

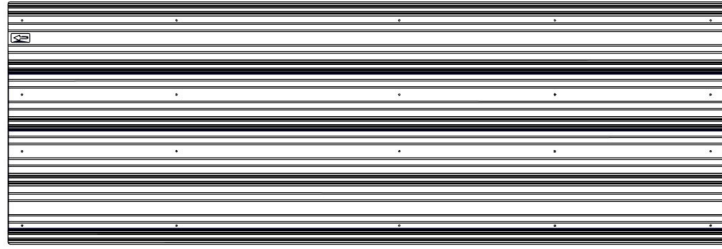
**APPLY WEATHER TAPE APPROXIMATE 1" [24mm]
FROM EDGE AS SHOWN. APPLY ACROSS ALL
SHEETS BEFORE INSTALLING NEXT ROW OF
SHEETING**

556 (x1)
WEATHER TAPE



REAR

STEP 41 - GAZEBO ASSEMBLY



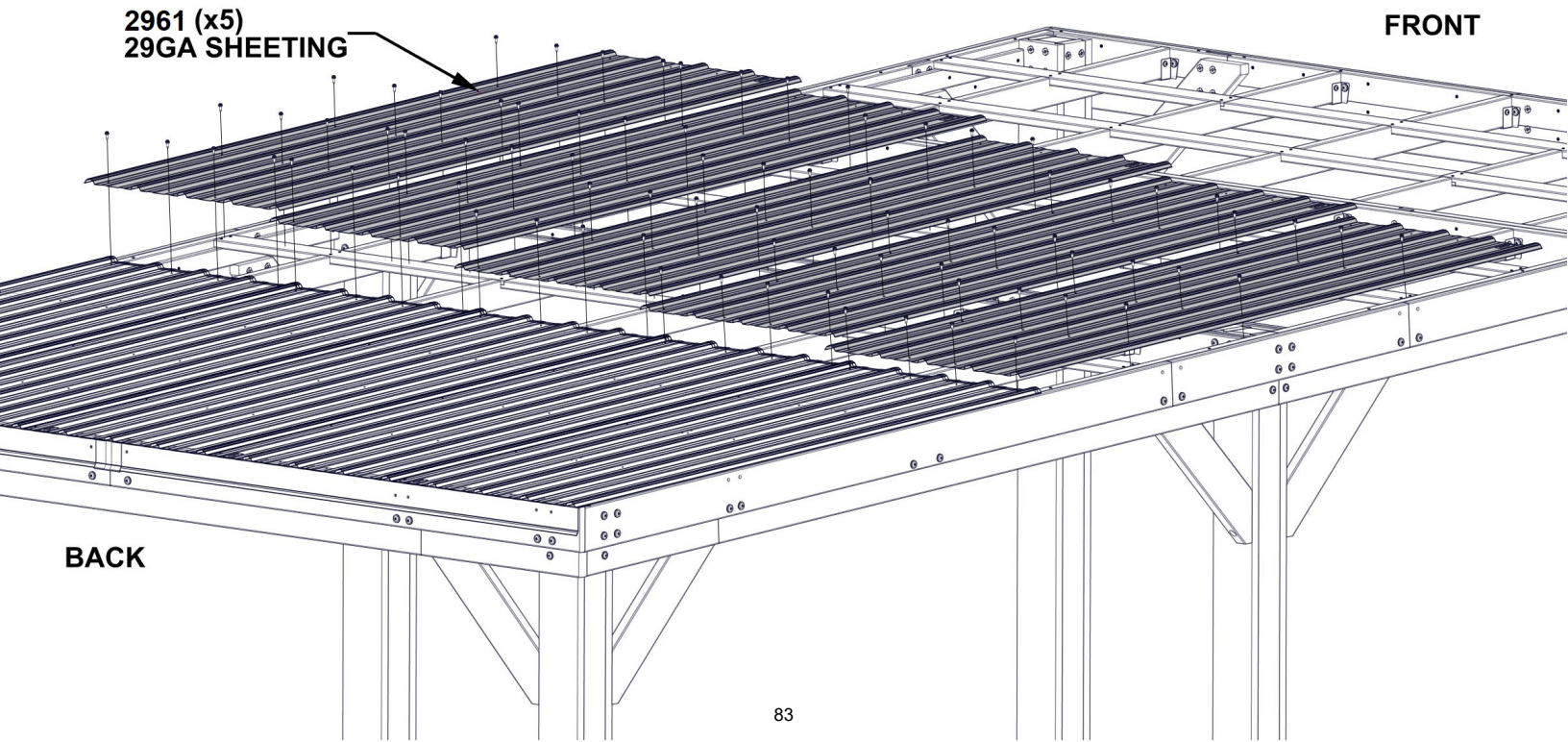
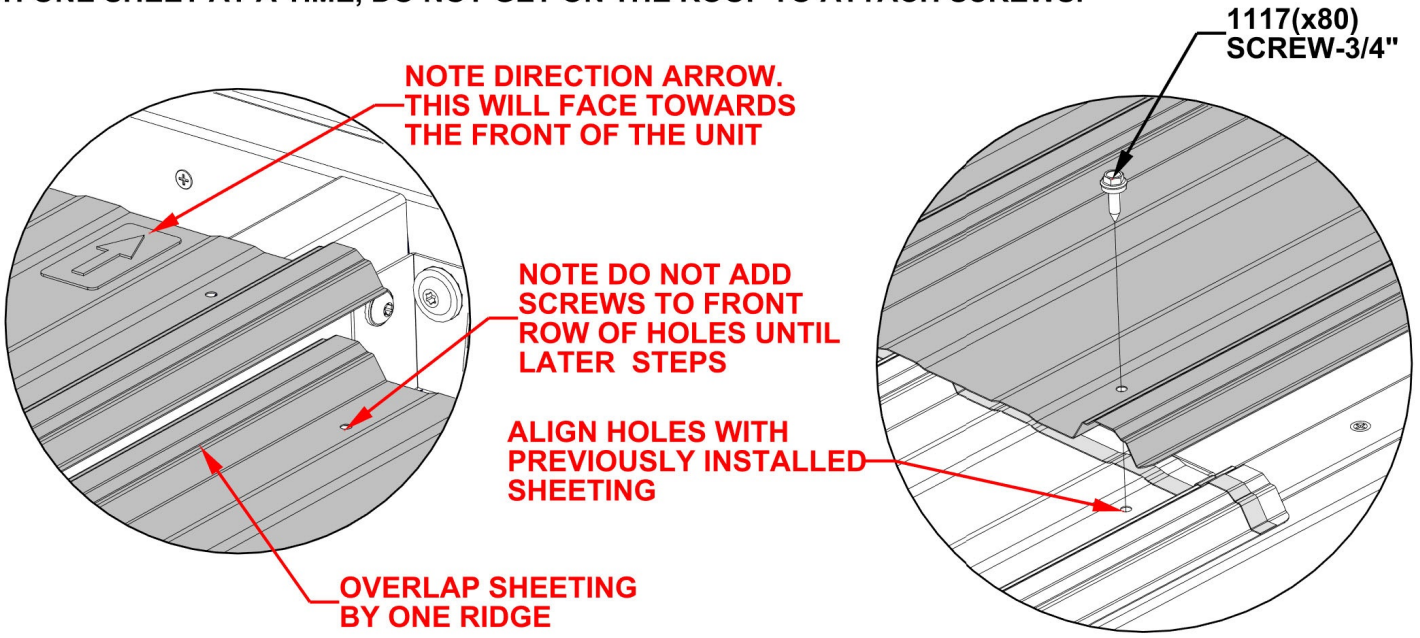
A4M02961 29GA SHEETING
(x5)

Qty	PART NUMBER	DESCRIPTION
80	H101117	SCREW WOODGRIP 10-16x3/4" BLK

WARNING GLOVES ARE RECOMMENDED WHEN HANDLING STEEL ROOF PIECES.

NOTES:

- REMOVE BLUE FILM FROM ROOF PANELS.
- ORIENT ROOF PANELS AS SHOWN BELOW.
- ATTACH ONE SHEET AT A TIME, DO NOT GET ON THE ROOF TO ATTACH SCREWS.

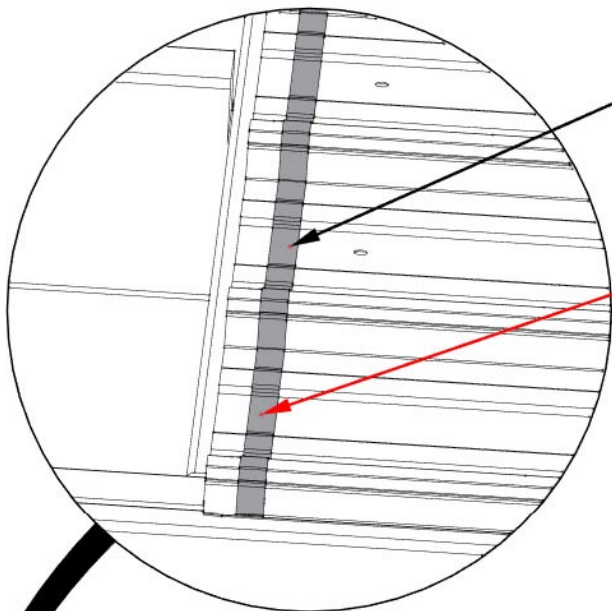


STEP 42 - GAZEBO ASSEMBLY



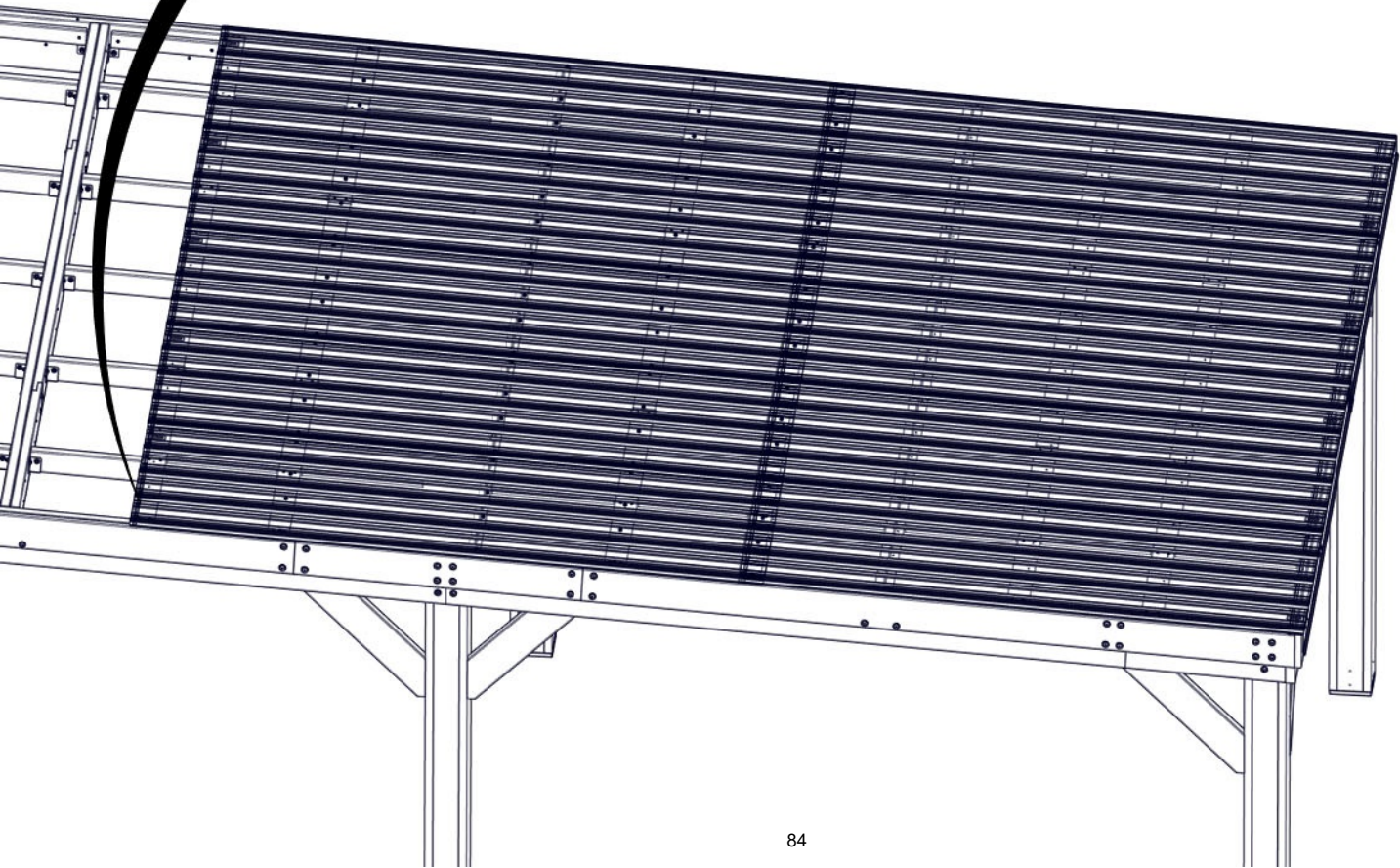
A6P00556 WEATHER TAPE
(x1)

WARNING GLOVES ARE RECOMMENDED WHEN HANDLING STEEL ROOF PIECES.



556 (x1)
WEATHER TAPE

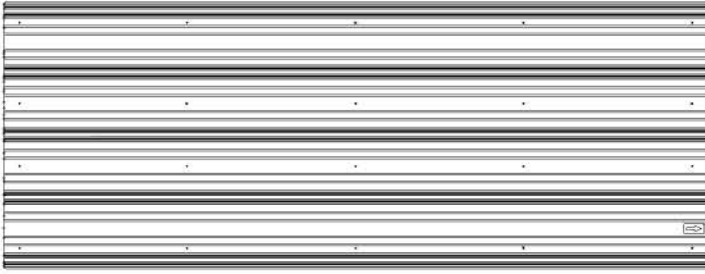
APPLY WEATHER TAPE APPROXIMATE 1" [24mm] FROM EDGE AS SHOWN. APPLY ACROSS ALL SHEETS BEFORE INSTALLING NEXT ROW OF SHEETING



REAR

STEP 43 - GAZEBO ASSEMBLY

Qty	PART NUMBER	DESCRIPTION
100	H101117	SCREW WOODGRIP 10-16x3/4" BLK

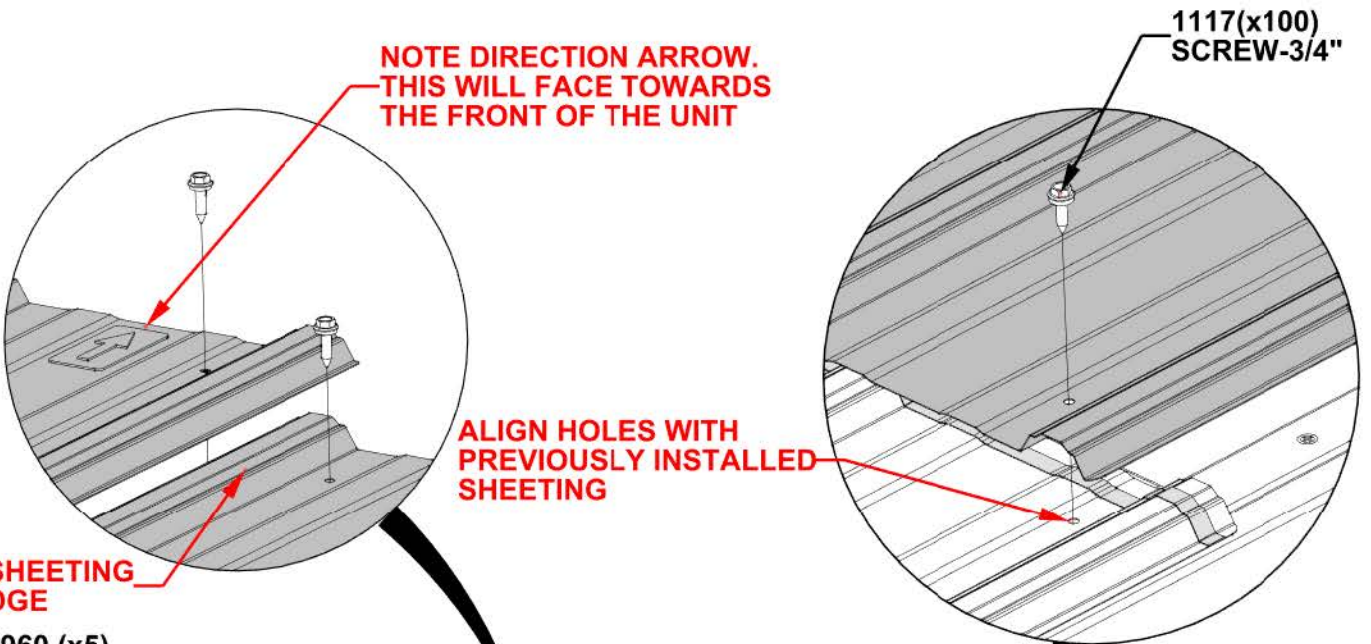


A4M02960 29GA SHEETING
(x5)

WARNING GLOVES ARE RECOMMENDED WHEN HANDLING STEEL ROOF PIECES.

NOTES:

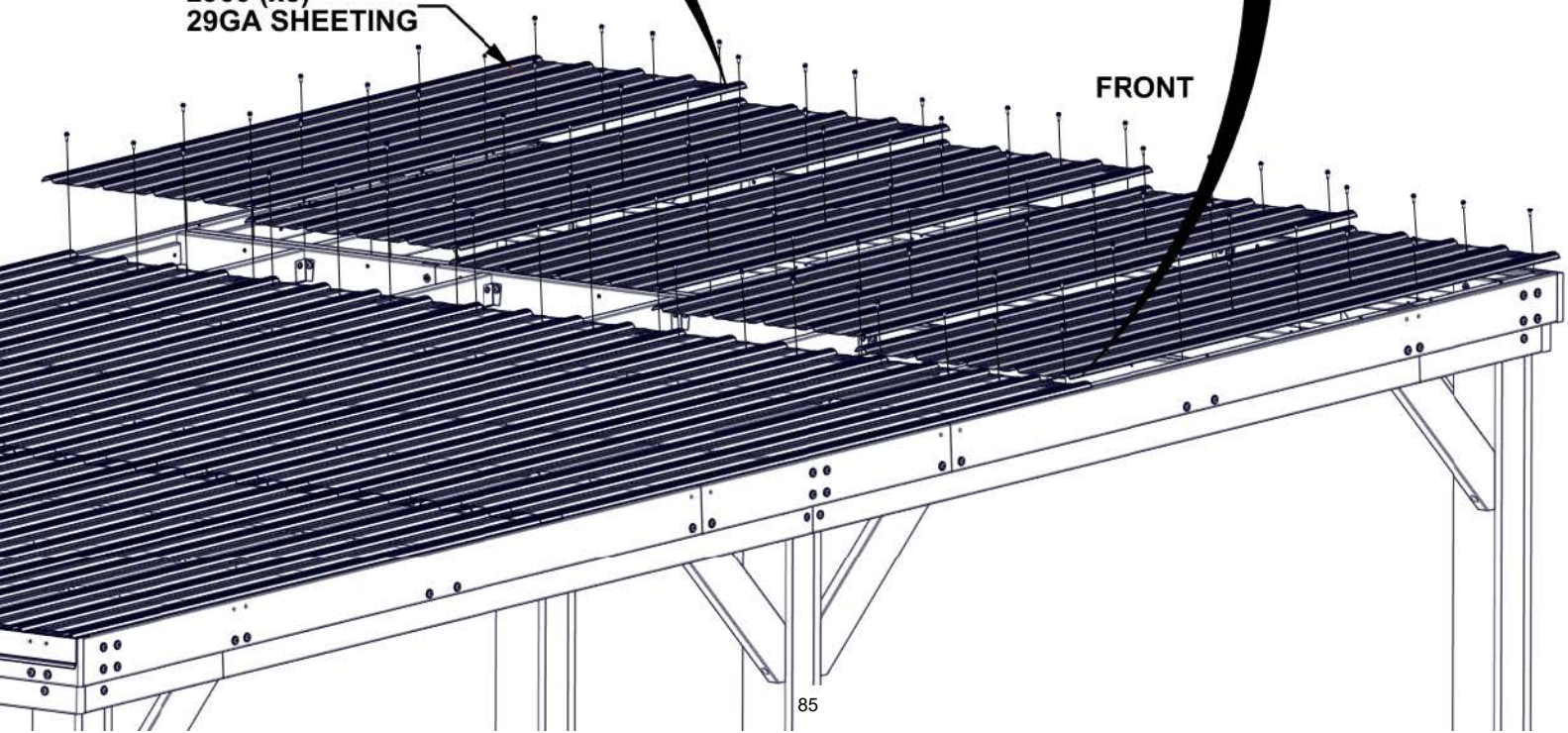
- REMOVE BLUE FILM FROM ROOF PANELS.
- ORIENT ROOF PANELS AS SHOWN BELOW.
- ATTACH ONE SHEET AT A TIME, DO NOT GET ON THE ROOF TO ATTACH SCREWS.



OVERLAP SHEETING BY ONE RIDGE

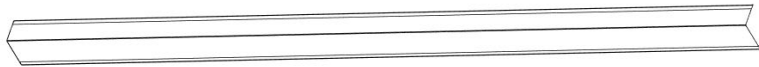
2960 (x5)
29GA SHEETING

FRONT

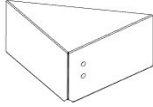


STEP 44 - GAZEBO ASSEMBLY

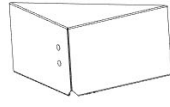
Qty	PART NUMBER	DESCRIPTION
10	H101116	SCREW SELF TAPPING 1/4x1 BLK



A4M02740 EDGE TRIM LONG
(x2)



A4M02735 CORNER SPLICE TRIM RH
(x1)



A4M02736 CORNER SPLICE TRIM LH
(x1)

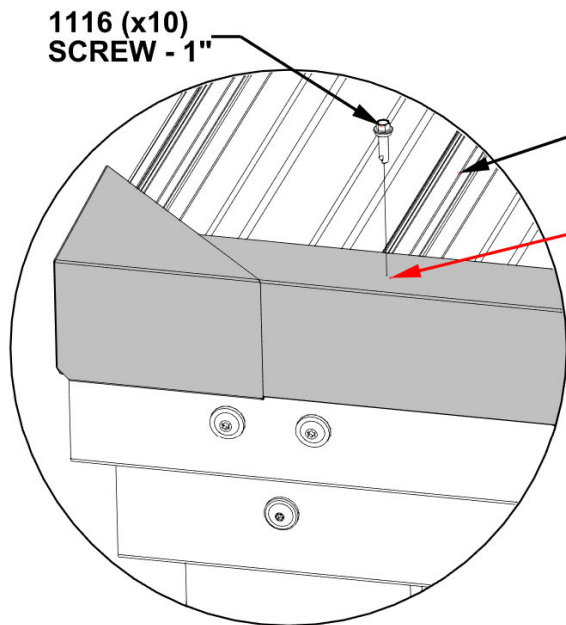


A4M02734 EDGE TRIM SPLICE
(x1)

WARNING GLOVES ARE RECOMMENDED WHEN HANDLING STEEL ROOF PIECES.

NOTES:

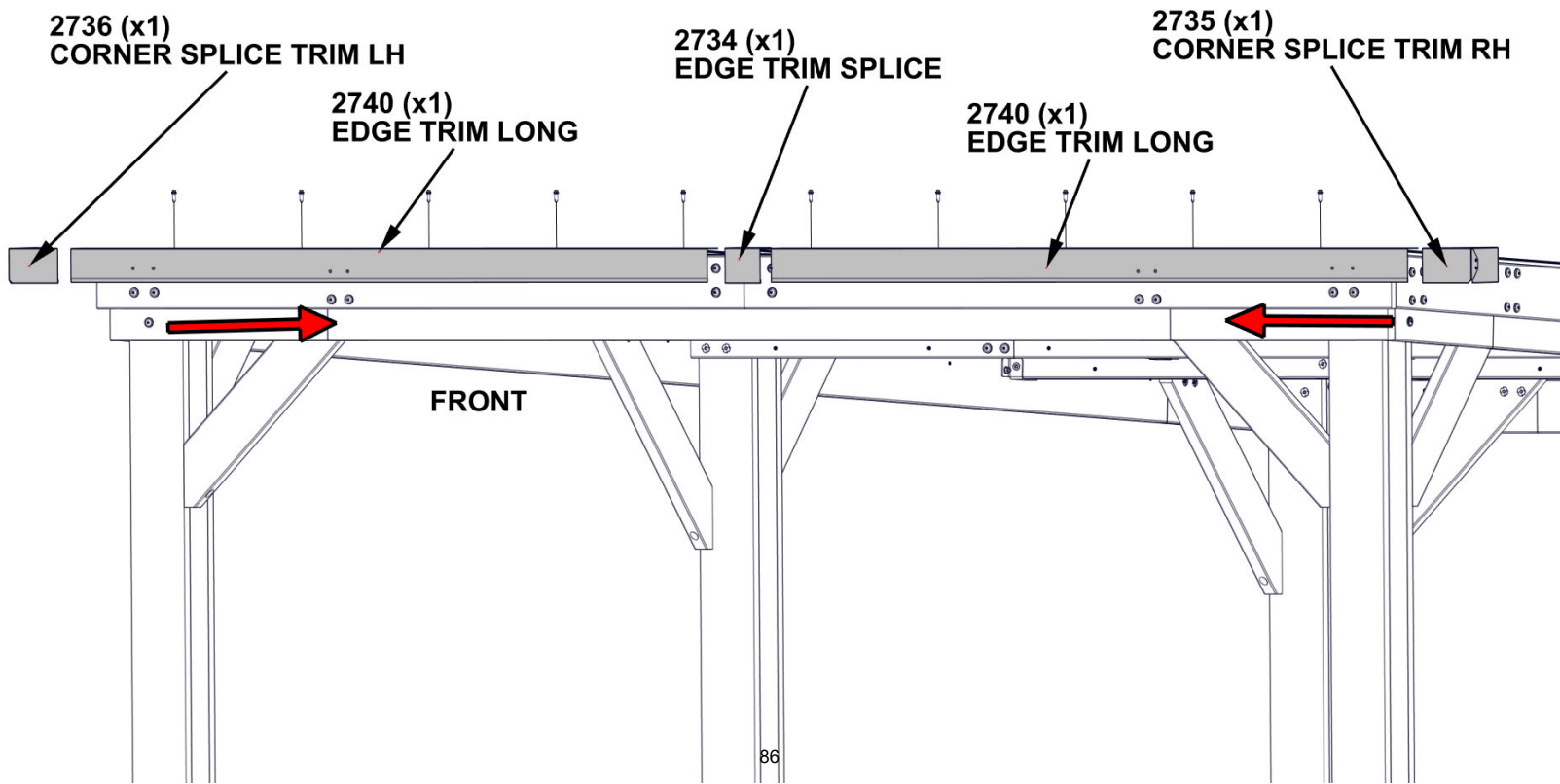
- POSITION EDGE TRIM, EDGE TRIM SPLICE AND CORNER SPLICE TRIM AS SHOWN BELOW.
- SLIDE TRIM PIECES INTO SPLICES. ATTACH CORNER SPLICES BY SLIDING ONTO EDGE TRIM. SCREW AS NOTED IN DETAIL.



SECOND RIB

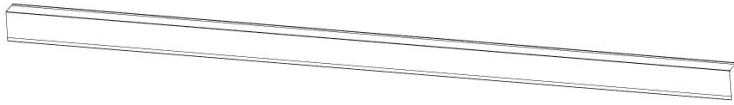
ATTACH THIS SCREW THROUGH THE TRIM AND INTO THE 2ND RIB OF THE SHEETING. SKIP ONE RIB AND REPEAT.

**NOTE:
TRIM WILL ONLY BE INSTALLED ON THE FRONT AND SIDES OF UNIT, NO TRIM WILL BE INSTALLED ON BACKSIDE TO ALLOW FOR DRAINAGE.**



STEP 45 - GAZEBO ASSEMBLY

Qty	PART NUMBER	DESCRIPTION
28	H101116	SCREW SELF TAPPING 1/4x1 BLK



A4M02737 EDGE TRIM LONG
(x6)

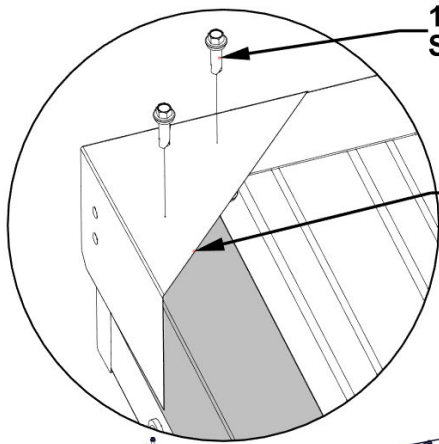


A4M02734 EDGE TRIM SPLICE
(x4)

WARNING GLOVES ARE RECOMMENDED WHEN HANDLING STEEL ROOF PIECES.

NOTES:

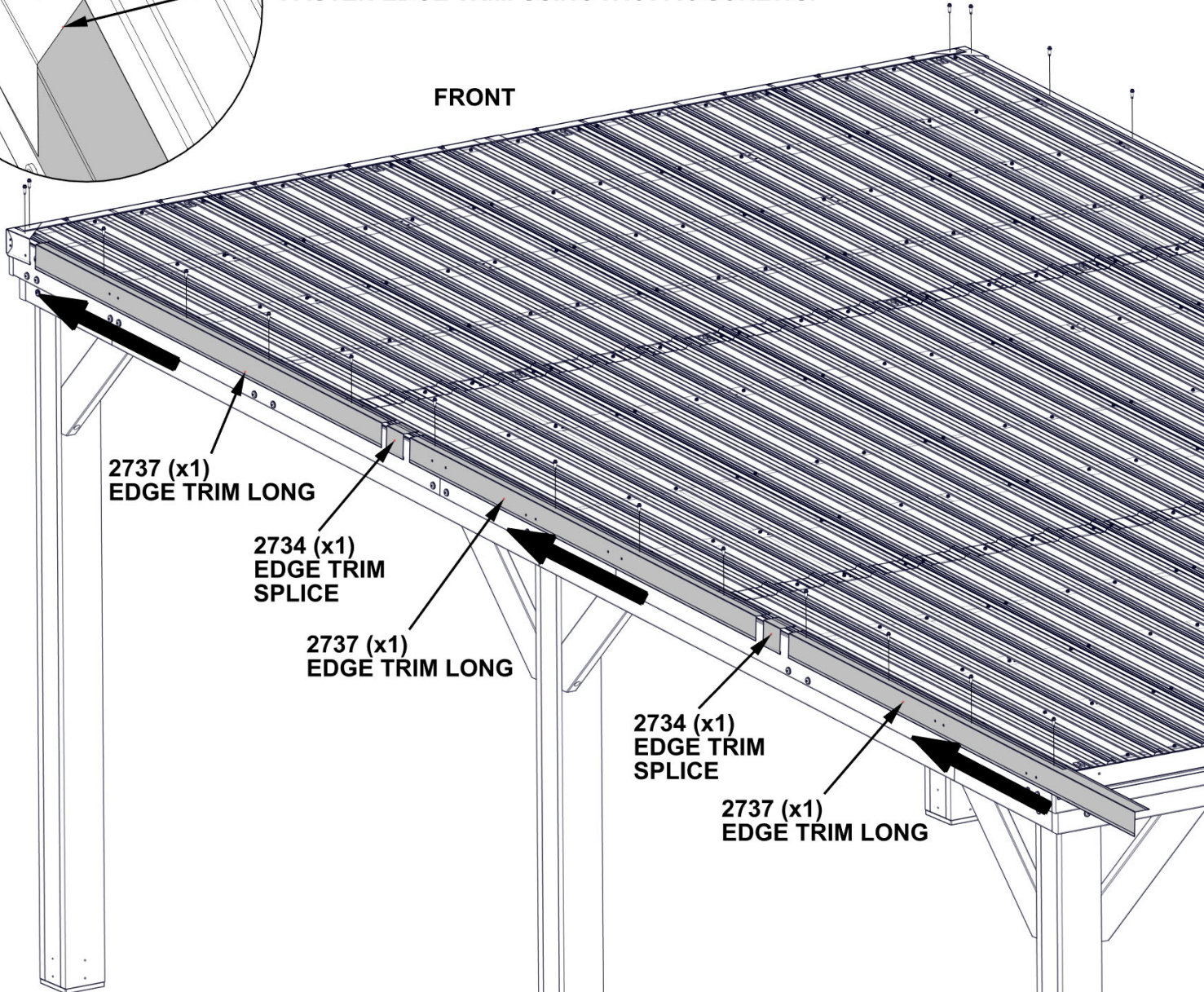
- LAY EDGE TRIM ON SIDE OF ROOF AS SHOWN BELOW, SLIDE EACH PIECE INTO ONE ANOTHER.
- FLUSH LAST PIECE WITH THE REAR DRIP EDGE. SCREWS GO THROUGH EDGE TRIM INTO RIB AT THE APPROXIMATE LOCATIONS SHOWN.
- REPEAT ON OPPOSITE SIDE



116 (x14)
SCREW - 1"

SLIDE EDGE TRIM INTO CORNER SPLICE.
FASTEN EDGE TRIM USING H101116 SCREWS.

FRONT



2737 (x1)
EDGE TRIM LONG

2734 (x1)
EDGE TRIM
SPLICE

2737 (x1)
EDGE TRIM LONG

2734 (x1)
EDGE TRIM
SPLICE

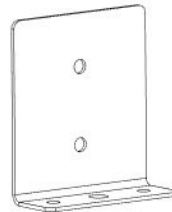
2737 (x1)
EDGE TRIM LONG

STEP 46 - GAZEBO ASSEMBLY

Qty	PART NUMBER	DESCRIPTION
48	H100471	LAG SCREW WH 5/16x1 1/2 BLK



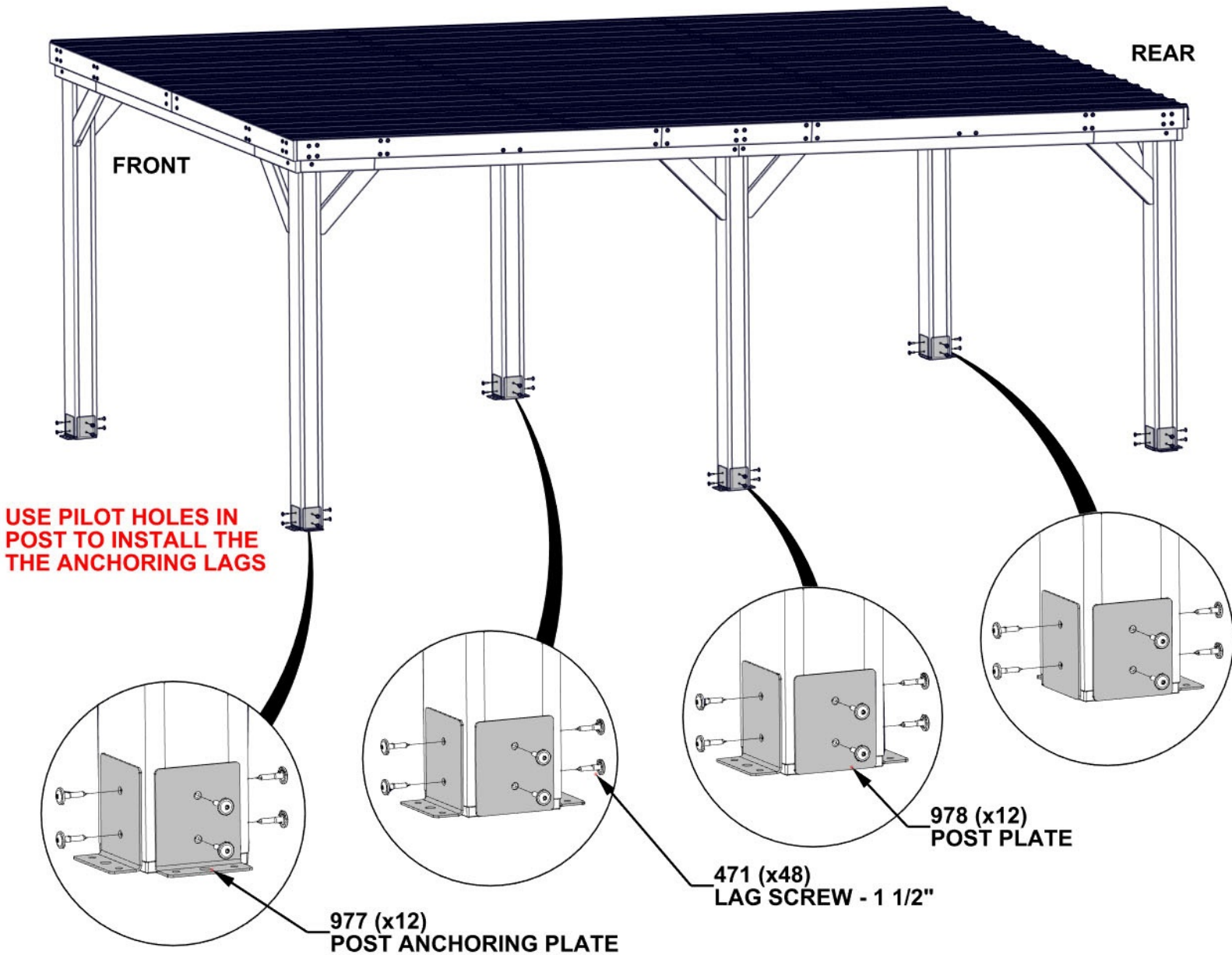
A4M00978 POST PLATE
(x12)



A4M00977 POST ANCHORING PLATE
(x12)

NOTES:

- 977 POST ANCHORING PLATES MOUNT ON OUTSIDE OF POST AS SHOWN EXCEPT THE CENTER POST.
- 978 POST PLATES GO ON INSIDE OF POST AS SHOWN EXCEPT CENTER POST, THESE WILL ALSO BE ON THE FRONT FACE OF POST AS SHOWN IN DETAIL BELOW.

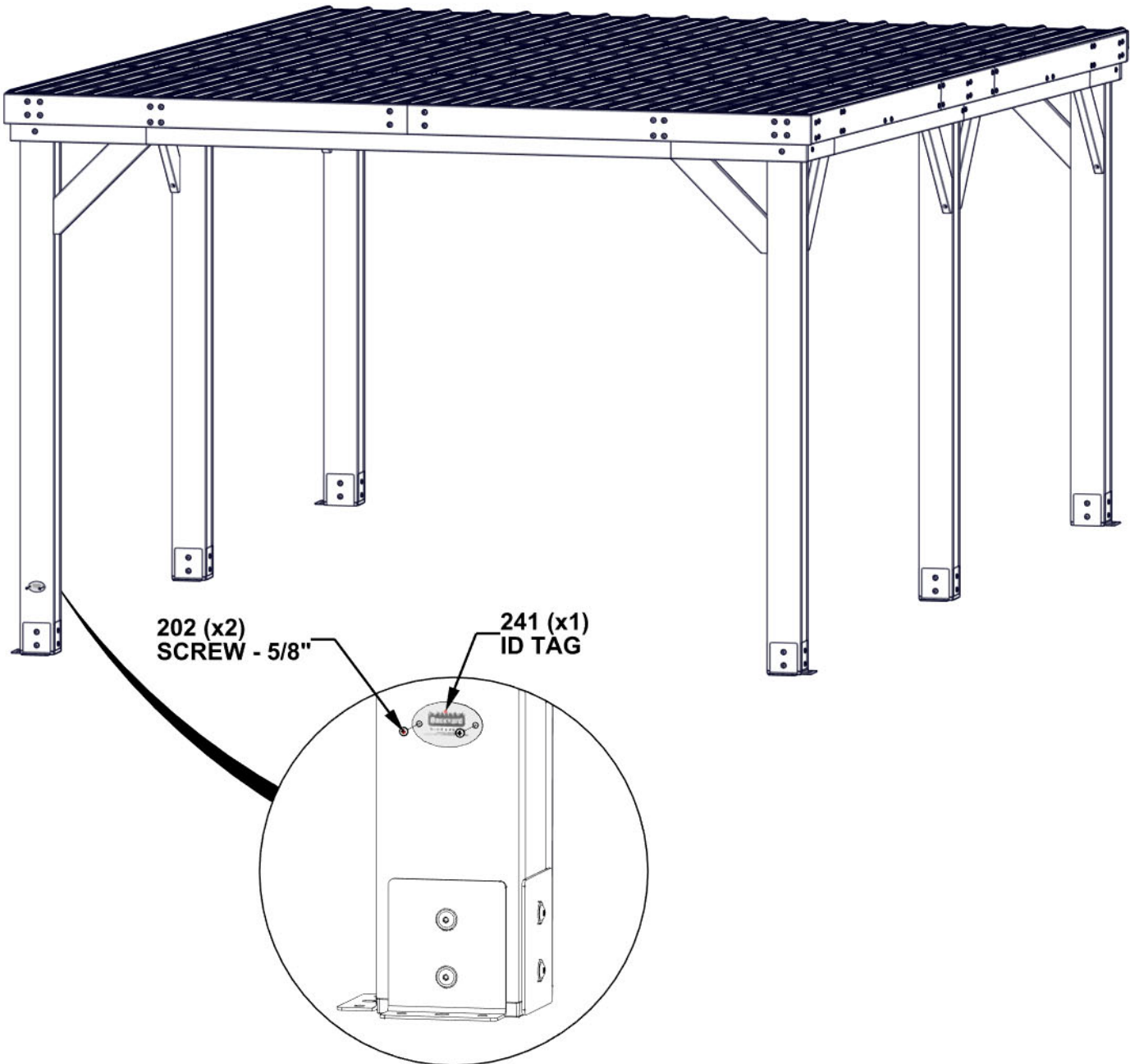


STEP 47 - GAZEBO ASSEMBLY

Qty	PART NUMBER	DESCRIPTION
2	H100202	SCREW PWH 8x5/8 BLK



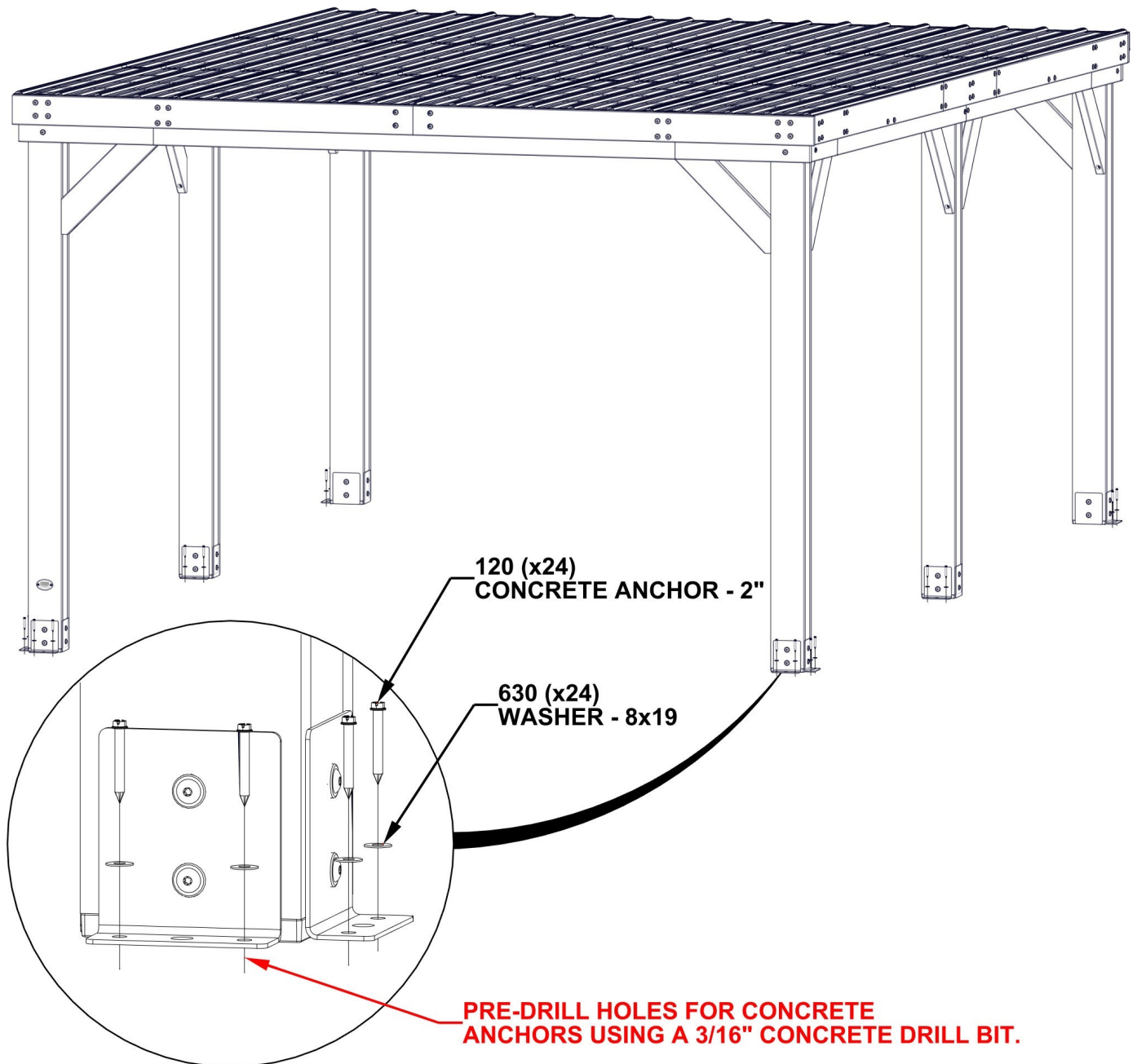
A100241 ID TAG
(x1)

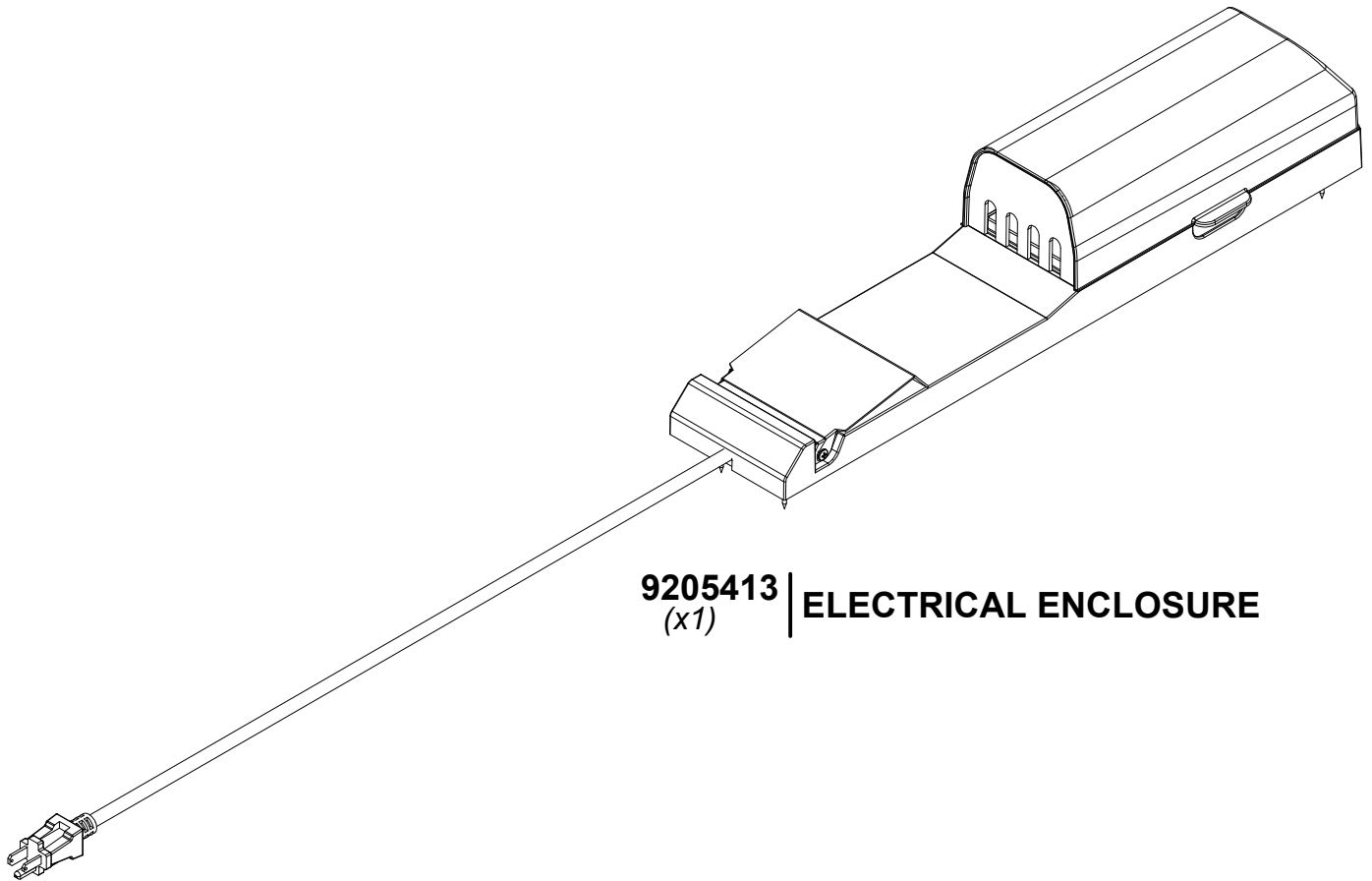


STEP 48 - GAZEBO ASSEMBLY

Qty	PART NUMBER	DESCRIPTION
24	H100120	CONCRETE ANCHOR 1/4"
24	H100630	WASHER FLAT 8x19 BLK

MANUFACTURER RECOMMENDS INSTALLATION ON CONCRETE SURFACE OR CONCRETE POST PADS.





9205413 | **ELECTRICAL ENCLOSURE**
(x1)

FOR POWERPORT INSTALLATION REFER TO ASSEMBLY INSTRUCTIONS THAT COME PACKAGED WITH THE POWERPORT KIT. INSTALL ON ANY POST THAT IS DESIRED. FOLLOW DIRECTIONS FOR PROPER INSTALLATION.