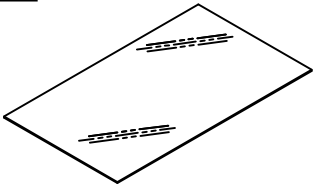
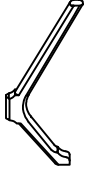
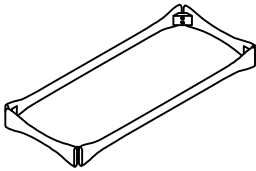

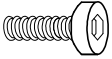



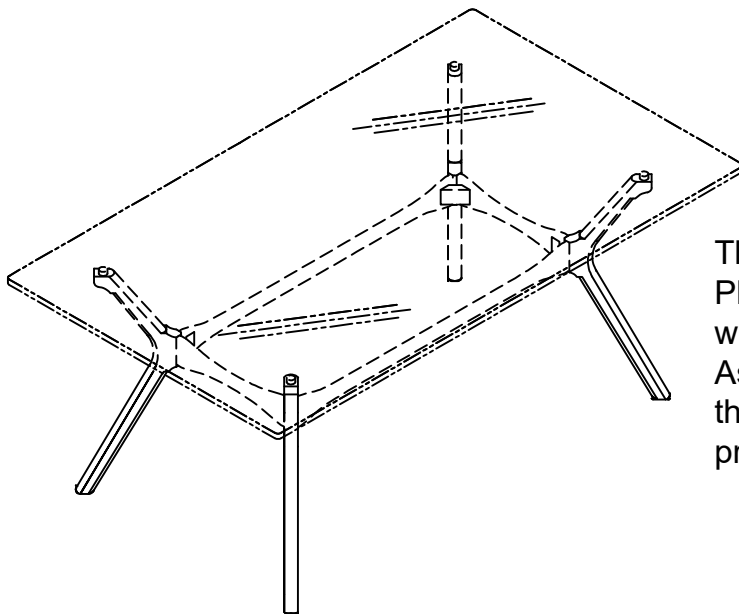


# ASSEMBLY INSTRUCTION

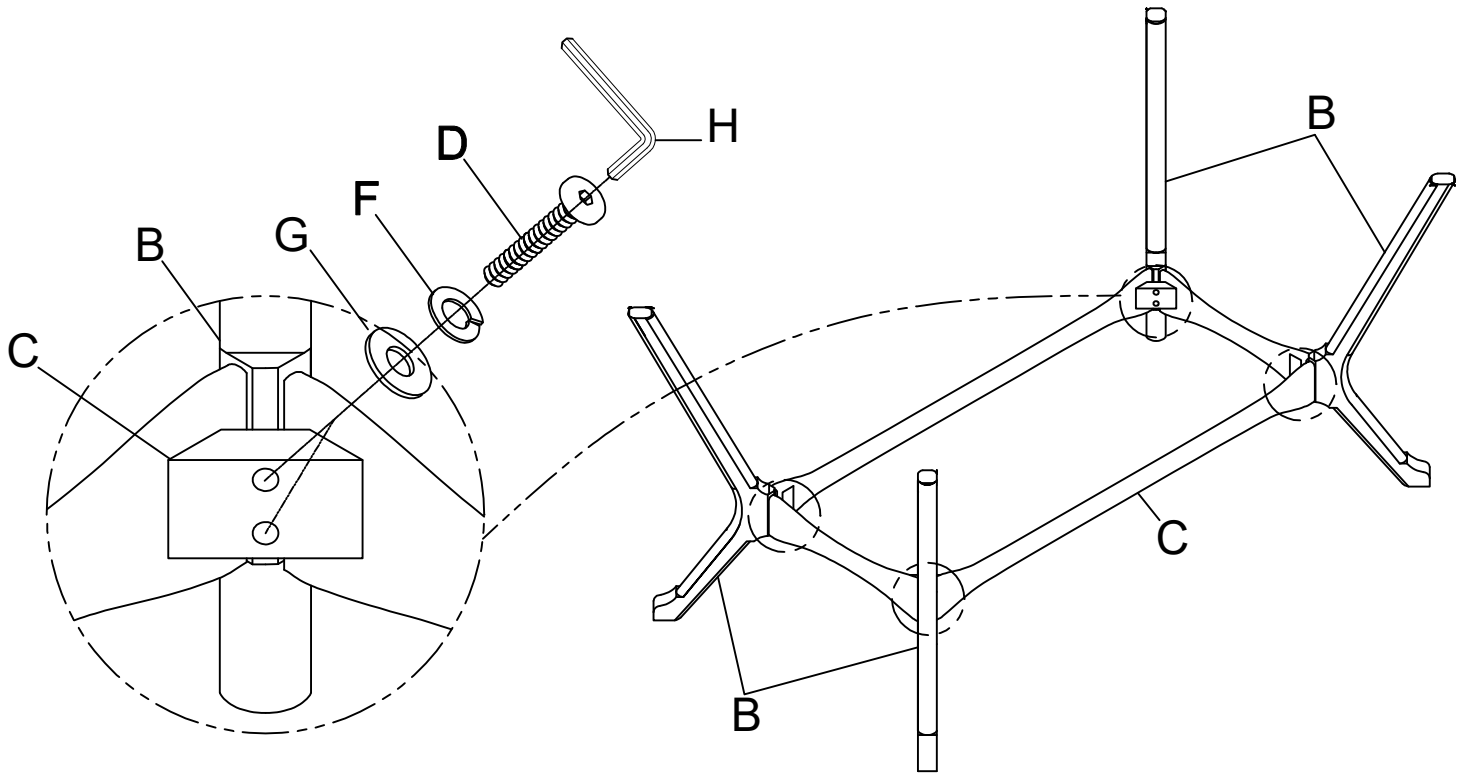
## TRESTLE GLASS TABLE

<b>A</b> Table Top  1 pc	<b>B</b> Leg  4 pcs	<b>C</b> Leg Frame  1 pc	<b>D</b> Allen Bolt Ø5/16"x70mm  8 pcs
<b>E</b> Allen Bolt Ø5/16"x40mm  4 pcs	<b>F</b> Lock Washer Ø5/16"x11mm  12 pcs	<b>G</b> Flat Washer Ø5/16"x19x1.5mm  12 pcs	<b>H</b> Allen Key 4mm  1 pc

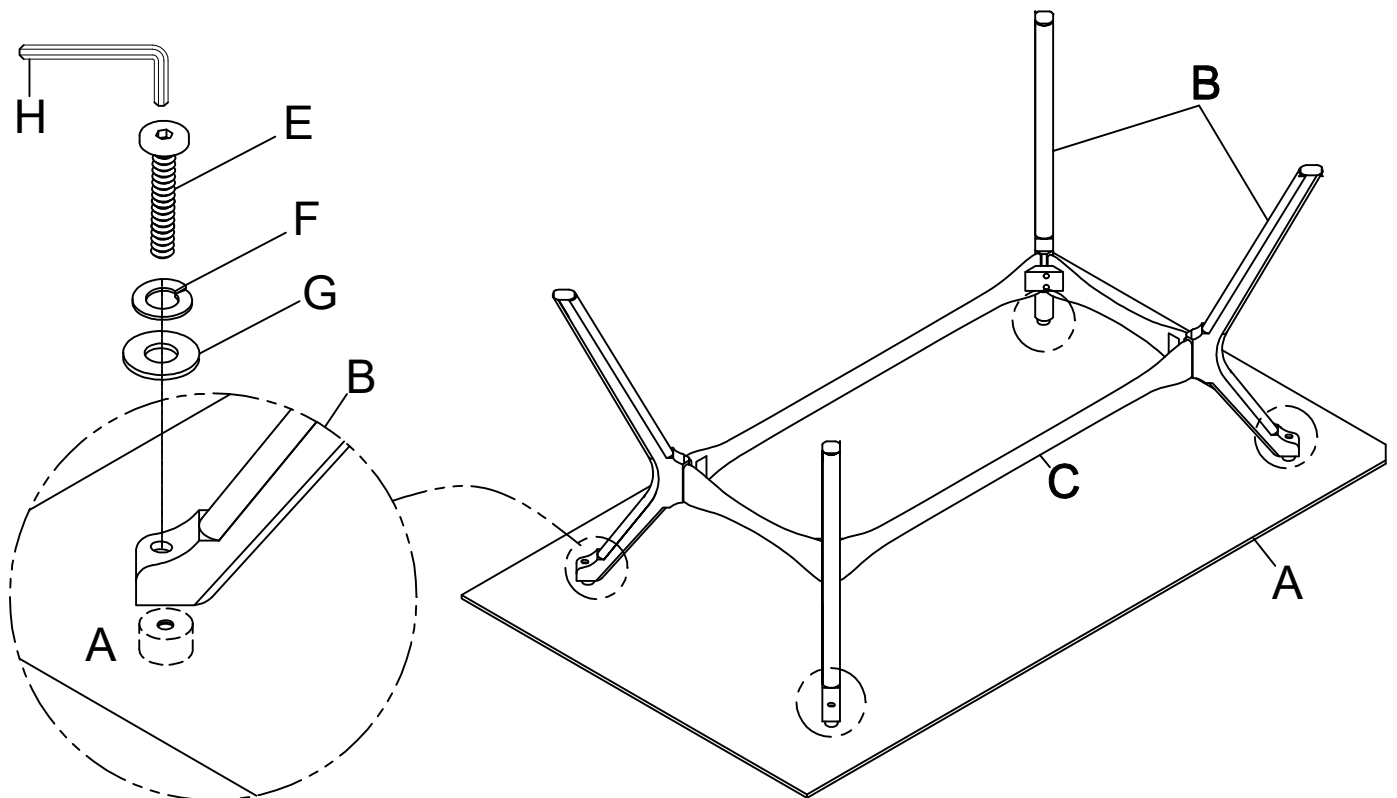


This page lists all the contents included in the box. Please take the time to identify the hardware as well as the individual components to this product. As you unpack and prepare for assembly, place the contents on a carpeted or padded area to protect them from damage.

**1** Attached four Legs(B) to the Leg Frame(C). Use Bolt(D) Lock Washer(F) and Flat Washer(G) on holes of Leg Frame(C). Turn the Allen Key(H) in Allen Bolt(D).



**2** Attached Leg Frame(C) to the Table Top(A). Use Allen Bolt(E) Lock Washer(F) and Flat Washer(G) on holes of Table Top(A). Turn the Allen Key(H) in Allen Bolt(E).



### Cleaning & Care

Treat surface with care. Surface is resistant to scratches but is not scratch resistant. Clean surfaces with a dry or damp soft cloth. Do not use abrasive cleaners. Hardware may loosen over time. Periodically check that all connections are tight.